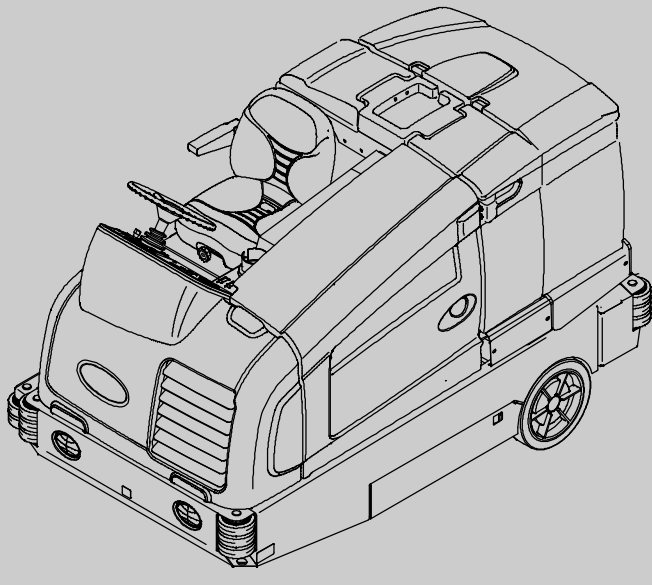
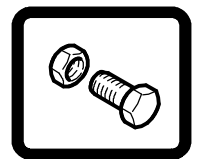




T20

(Gas/LPG)

Rider Scrubber Parts Manual



The Safe Scrubbing Alternative®



An ORBIO™ Technology

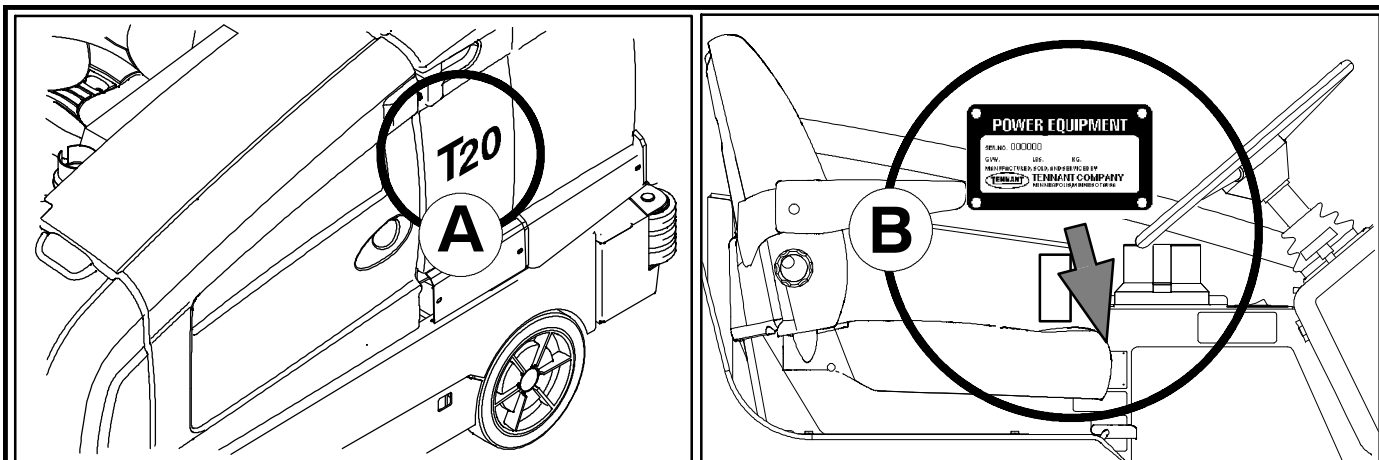
TennantTrue™ Parts and Supplies
Hygenic® Fully Cleanable Tanks
FloorSmart™ Integrated Cleaning System
ES® Extended Scrub System

North America / International

www.tennantco.com

331471
Rev. 09 (4-2011)





Ref	Part No.	Serial Number	Description	Qty.
1	82681	(000000-)	Bracket W/dt, Lpg Mount	1
2	63810	(000000-)	Latch Assy, Lpg Tank Mtg, W/Nut	4
3	51839	(000000-)	Nut Adjustable, Lpg Tank Mtg	2
4	49263	(000000-)	Tie, Cable	3
5	82556	(000000-001039)	Bracket, Vaporizer	1
6	54930	(000000-)	Vaporizer, LPG	1

HOW TO ORDER PARTS - See diagram above

Only use TENNANT Company supplied or equivalent parts. Parts and supplies may be ordered online, by phone, by fax or by mail.

Follow the steps below to ensure prompt delivery.

1. **(A)** Identify the machine model.
2. **(B)** Identify the machine serial number from the data plate.
3. **(C)** Ensure the proper serial number is used from the parts list.
4. Identify the part number and quantity. Do not order by page or reference numbers.
5. Provide your name, company name, customer ID number, billing and shipping address, phone number and purchase order number.
6. Provide detail shipping instructions.

(D) ▽ - Identifies an assembly
 ▲ - Identifies parts included in assembly

EN

Please fill out at time of installation for future reference.

Model No. - _____

Serial No. - _____

Machine Options - _____

Sales Rep. - _____

Sales Rep. phone no. - _____

Customer ID Number - _____

Installation Date - _____

Tennant Company
 PO Box 1452
 Minneapolis, MN 55440
 Phone: (800) 553-8033 or (763) 513-2850
 www.tennantco.com

Thermo-Sentry, Touch-N-Go, 1-STEP, Clean-Wedge, Variable Drain Valve, EasyOpen, Grip-N-Go, MaxPro², Dura-Track, SmartRelease, InstantAccess, Duramer, FaST-PAK, ErgoSpace and Lower Total Cost of Ownership are US registered and unregistered trademarks of Tennant Company.

Specifications and parts are subject to change without notice.

Original Information, copyright © 2006 - 2011 TENNANT Company, Printed in U.S.A.

CN	<p>如何订购部件 - 参见下表</p> <p>仅使用 TENNANT 公司提供的或同等部件。部件和供应可以在线订购，通过电话、传真或邮件订购。请遵循下面的步骤确保及时交付。</p> <ol style="list-style-type: none"> 1. (A) 确定机器型号。 2. (B) 从数据标签确定机器序列号。 3. (C) 确保使用部件列表中的正确序列号。 4. 确定部件号和数量。 不要按页面或参考编号订购。 5. 提供您的姓名、公司名称、客户 ID 号、付帐和送货地址、电话号码和采购单编号。 6. 提供详细的送货说明。 <hr/> <p>(D) ▽ - 确定组件 ▲ - 确定组件中包含的组件</p>	<p>请在安装时填写供未来参考。</p> <p>型号 - _____</p> <p>序列号 - _____</p> <p>机器选项 - _____</p> <p>销售代表 - _____</p> <p>销售代表电话号码 - _____</p> <p>客户 ID 编号 - _____</p> <p>安装日期 - _____</p>
-----------	--	--

ES	<p>CÓMO SOLICITAR PIEZAS - Consulte el diagrama anterior.</p> <p>Utilice sólo las piezas suministradas por TENNANT Company o piezas equivalentes. Puede solicitar las piezas a través de internet, por teléfono, por fax o por correo.</p> <p>Siga los siguientes pasos para que la entrega sea rápida.</p> <ol style="list-style-type: none"> 1. (A) Indique el modelo de máquina. 2. (B) Indique el número de serie de la etiqueta de datos. 3. (C) Asegúrese de que indica el número de serie correcto de la lista de piezas. 4. Indique la cantidad y el número de la pieza. No realice el pedido indicando el número de página o el de referencia. 5. Incluya su nombre, el nombre de la empresa, el ID de cliente, las direcciones de envío y facturación, el número de teléfono y el número del pedido de compra. 6. Facilite instrucciones de envío. <hr/> <p>(D) ▽ - identifica un conjunto ▲ - identifica piezas de un conjunto</p>	<p>Rellene estos datos cuando realice la instalación para utilizarlos como referencia en el futuro.</p> <p>Nº modelo - _____</p> <p>Nº serie - _____</p> <p>Opciones de la máquina - _____</p> <p>Vendedor - _____</p> <p>Nº teléfono vendedor - _____</p> <p>Nº cliente - _____</p> <p>Fecha de instalación - _____</p>
-----------	--	---

FR	<p>COMMENT COMMANDER DES PIÈCES DÉTACHÉES - Voir le schéma ci-dessus.</p> <p>Utilisez uniquement des pièces fournies par la société TENNANT ou équivalentes. Les pièces et fournitures peuvent être commandées en ligne, par téléphone, fax, ou par courrier.</p> <p>Suivez les étapes ci-dessous pour assurer une livraison rapide.</p> <ol style="list-style-type: none"> 1. (A) Identifiez le modèle de la machine. 2. (B) Identifiez le numéro de série de la machine, à partir de l'étiquette signalétique. 3. (C) Assurez-vous que le numéro de série correct est utilisé à partir de la liste de pièces détachées. 4. Identifiez le numéro de pièce et la quantité. Ne commandez pas par page ou numéros de référence. 5. Fournissez votre nom, le nom de votre société, votre numéro d'identification de client, l'adresse de facturation et d'expédition, le numéro de téléphone et le numéro du bon de commande. 6. Fournissez des instructions d'expédition détaillées. <hr/> <p>(D) ▽ - identifie un assemblage ▲ - identifie les pièces composant l'assemblage</p>	<p>A remplir au moment de l'installation à titre de référence.</p> <p>Nº du modèle - _____</p> <p>Nº de série - _____</p> <p>Options de la machine - _____</p> <p>Agent commercial - _____</p> <p>Nº tél. de l'agent commercial - _____</p> <p>Numéro d'identification client - _____</p> <p>Date d'installation - _____</p>
-----------	--	---

JP	<p>パーツの発注方法 ? 上記の図を参照してください</p> <p>TENNANT社製のパーツまたは同等品のみをお使いください。パーツやサプライ品のご注文は、オンライン、電話、FAX、または手紙でお願いいたします。確実にお届けできるように、以下の情報お知らせください。</p> <ol style="list-style-type: none"> 1. (A) 製品のモデル名をお知らせください。 2. (B) 製品のデータラベルに印刷されているシリアル番号をお知らせください。 3. (G) パーツリストを参照して、シリアル番号が正しいかご確認ください。 4. パーツ番号と数量をお知らせください。マニュアル/カタログのページ番号や参照番号でのご注文はご遠慮ください。 5. お客様のお名前、会社名、顧客ID番号、請求/発送先住所、電話番号、注文書番号をお知らせください。 6. 発送に関するご希望があれば、明記してください。 <hr/> <p>(D) ▽ - アセンブリを示します ▲ - アセンブリに含まれるパーツを示します</p>	<p>後日確認できるように、設置時に記入してください。</p> <p>モデルNo. - _____</p> <p>シリアルNo. - _____</p> <p>製品のオプション - _____</p> <p>販売代理店 - _____</p> <p>販売代理店の電話番号 - _____</p> <p>顧客ID番号 - _____</p> <p>設置日 - _____</p>
-----------	---	---

GENERAL RECOMMENDED MAINTENANCE

General Recommended Maintenance Items

Ref.	Part No.	Serial Number	Description	Qty.
▽	9002553	(000000-) Maint Kit, Gas, 400hr[M20/T20]	1
▲	372575	(000000-) Sparkplug [Gm]	4
▲	369746	(000000-) Element, Fltr, Air [Dn]	1
▲	372440	(000000-) Filter, Fuel [Gm 1.6l/3.0l]	1
▽	9002554	(000000-002140) Maint Kit, Lpg, 400hr[M20/T20]	1
▲	372575	(000000-002140) Sparkplug [Gm]	4
▲	369746	(000000-002140) Element, Fltr, Air [Dn]	1
▲	372615	(000000-002140) Filter Kit, Fuelock, Lpg	1
▽	9007382	(002141-) Maint Kit, 400hr [M20/T20/M30 Lpg 2010]	1
▲	372575	(002141-) Sparkplug [Gm, 1pick=1plug]	4
▲	369746	(002141-) Element, Fltr, Air [Dn]	1
▲	9007380	(002141-) Filter, Fuelock,Lpg[Gm1.6l 2010]	1
▽	9002555	(000000-) Maint Kit, Gas, 800hr[M20/T20]	1
▲	31613	(000000-) Strainer, Hyd, 25 Gpm 100 Mesh	1
▲	25122	(000000-) Cap, Breather, Hyd, 2.4 Ds	1
▲	1021579	(000000-) Filter Assy [Pt4 936498]	1
▲	372440	(000000-) Filter, Fuel [Gm 1.6l/3.0l]	1
▽	9002613	(000000-002140) Maint Kit, Lpg, 800hr[M20/T20]	1
▲	31613	(000000-002140) Strainer, Hyd, 25 Gpm 100 Mesh	1
▲	25122	(000000-002140) Cap, Breather, Hyd, 2.4 Ds	1
▲	1021579	(000000-002140) Filter Assy [Pt4 936498]	1
▲	372615	(000000-002140) Filter Kit, Fuelock, Lpg	1
▽	9007381	(002141-) Maint Kit, 800hr [M20/T20/M30 Lpg 2010]	1
▲	31613	(002141-) Strainer, Hyd, 025gpm 100mesh 03psi	1
▲	25122	(002141-) Cap, Breather, Hyd, 2.4 Ds	1
▲	1021579	(002141-) Filter Assy, Hyd, 10mic	1
▲	9007380	(002141-) Filter, Fuelock,Lpg[Gm1.6l 2010]	1
	371972	(000000-) Element, Fltr, Oil, Eng, Spin-On	1
	1027290	(000000-) Filter, Soltn, 20mesh, Pm12 3.1d 02.6l	1
	87866	(000000-) Key, Ignition [Set Of 2]	1
	10137	(000000-) Battery, Wet, 12vdc 0475cca	1
	20833	(000000-) Wheel, 3.0d 1.38w 0.50b	2
	1033644	(000000-) Belt, Ribbed, 38.5l	1
	1024586	(000000-) Skirt, Neo, .06, 06.85w 27.95l, 08 Hole	2
	1019295	(000000-) Skirt, Neo, .18, 10.37w 27.95l, 12 H&S	2
	1020166	(000000-) Skirt, Neo, .06, 12.00w 45.88l, 07 Hole	1
	1028433	(000000-) Skirt, Front, Disk Head	1
	1017868	(000000-) Blade, Sqge, Front [Linard]	1
	1031331	(000000-) Blade, Sqge, Rear, Linatex	1
	83874	(000000-) Gasket, Sqge	2
	1031011	(000000-) Blade, Sqge, 37.08l Linatex	2
	1027719	(000000-) Blade, Sqge, Front, 49.59l Pyu	1
	1031945	(000000-) Blade, Sqge, Rear, 53.78L Pyu	1
	1031823	(000000-) Blade, Sqge, .38 3.55w 038.3l, Ure	2

GENERAL RECOMMENDED MAINTENANCE

General Recommended Maintenance Items

Ref.	Part No.	Serial Number	Description	Qty.
	1027716	(000000-002115)	Squeegee Assy, Sba, Ure	1
	1059091	(002116-	Blade, Sqge, Side Brush, Urethane	1
	1059092	(002116-	Blade, Sqge, Side Brush, Urethane	1
	1025005	(000000-002115)	Squeegee Assy, Sba, Linatex	1
	1046980	(002116-	Blade, Sqge, Side Brush, Linatex	1
	1047238	(002116-	Blade, Sqge, Side Brush, Linatex	1
	84597	(000000-	Tire Assy, Solid, 18.0x6.0 4.5bc/5bolt	1
	16411	(000000-	Paint, Airdry, Off-White, 12oz	1
	16412	(000000-	Paint, Airdry, Teal, 12oz, Solid	1
	377540	(000000-	Paint, Airdry, Blk, 12oz	1
	377538	(000000-	Paint, Airdry, Gray, 12oz [Enamel]	1
	377537	(000000-	Paint, Airdry, Iron Gray,12oz[Pwdr Coat]	1

SECTION 2

Contents	Page
Fig. 1 - Brushes, Replacement, Scrub Head	2-4
Fig. 2 - Brushes, Replacement, Side Brush	2-6
Fig. 3 - Main Frame Group	2-8
Fig. 4 - Operator Station Group	2-10
Fig. 5 - Operator Station Insulation Group	2-12
Fig. 6 - Instrument Panel Group	2-14
Fig. 7 - Seat Group	2-16
Fig. 8 - Steering Group	2-18
Fig. 9 - Front Cover Group	2-20
Fig. 10 - Engine Cover Group	2-22
Fig. 11 - Engine and Mount Group	2-24
Fig. 12 - Engine EFI Group, Gasoline (000000-001499)	2-26
Fig. 13 - Engine EFI Group, Gasoline (001500-002140)	2-28
Fig. 14 - Engine EFI Group, Gasoline (002141-)	2-30
Fig. 15 - Engine EFI Group, LPG (000000-001499)	2-32
Fig. 16 - Engine EFI Group, LPG (001500-)	2-36
Fig. 17 - Engine Vaporizer Group, LPG (001500-002140)	2-38
Fig. 18 - Engine Vaporizer Group, LPG (002141-)	2-40
Fig. 19 - Engine Fuel Tank Group, Gasoline (000000-001499)	2-42
Fig. 20 - Engine Fuel Tank Group, Gasoline (001500-)	2-44
Fig. 21 - Engine Fuel Tank Group, LPG	2-46
Fig. 22 - Engine Air Cleaner Group, Gasoline (000000-001499)	2-48
Fig. 23 - Engine Air Cleaner Group, Gasoline (001500-)	2-50
Fig. 24 - Engine Air Cleaner Group, LPG (000000-001499)	2-52
Fig. 25 - Engine Air Cleaner Group, LPG (001500-)	2-54
Fig. 26 - Engine Alternator and Fan Group	2-56
Fig. 27 - Engine Muffler Group (000000-001499)	2-58
Fig. 28 - Engine Muffler Group (001500-)	2-60
Fig. 29 - Engine Radiator Group (000000-002092)	2-62
Fig. 30 - Engine Radiator and Mount Group (002093-)	2-66
Fig. 31 - Engine Radiator Hose Group (002093-)	2-68
Fig. 32 - Battery and Electrical Group	2-70
Fig. 33 - Wheel Group, Front Drive	2-72
Fig. 34 - Wheel Group, Rear	2-74
Fig. 35 - Brake Pedal Linkage Group	2-76

Contents	Page
Fig. 36 - Directional Pedal and Linkage Group	2-78
Fig. 37 - Cylindrical Scrub Brush Drive Group, Left Side	2-80
Fig. 38 - Cylindrical Scrub Brush Drive Group, Right Side	2-82
Fig. 39 - Cylindrical Scrub Brush Head Lift Group	2-84
Fig. 40 - Cylindrical Brush Head Skirt Group	2-86
Fig. 41 - Disk Scrub Head Drive Motor Group	2-88
Fig. 42 - Disk Scrub Head Lift Group	2-90
Fig. 43 - Rear Squeegee Lift Group	2-92
Fig. 44 - Cylindrical Scrub Head Debris Tray Mount Group	2-94
Fig. 45 - Cylindrical Scrub Head Debris Tray Group	2-96
Fig. 46 - Squeegee Group, Rear	2-98
Fig. 47 - Squeegee Linkage Group, Rear	2-100
Fig. 48 - Cylindrical Scrub Head Squeegee Group, Right Side	2-102
Fig. 49 - Squeegee Lift Group, Right Side	2-104
Fig. 50 - Cylindrical Scrub Head Squeegee Group, Left Side	2-106
Fig. 51 - Squeegee Lift Group, Left Side	2-108
Fig. 52 - Solution Tank Group	2-110
Fig. 53 - Solution Tank Drain Group	2-114
Fig. 54 - Solution Control Group, Cylindrical Scrub Head	2-116
Fig. 55 - Solution Control Group, Disk Scrub Head	2-118
Fig. 56 - Recovery Tank Group	2-120
Fig. 57 - Recovery Tank Drain Group	2-122
Fig. 58 - Vacuum Fan Group, Scrubbing	2-124
Fig. 59 - Hydraulic Schematic (000000-001503)	2-126
Fig. 60 - Hydraulic Schematic (001504-002282)	2-128
Fig. 61 - Hydraulic Schematic (002283-)	2-130
Fig. 62 - Hydraulic Hose Group, Steering and Propel	2-132
Fig. 63 - Hydraulic Hose Group, Pump and Vacuum Fan	2-134
Fig. 64 - Hydraulic Hose Group, Cylindrical Brush	2-136
Fig. 65 - Hydraulic Hose Group, Disk Brush	2-138
Fig. 66 - Hydraulic Hose Group, Squeegee Lift	2-140
Fig. 67 - Hydraulic Pumps Group	2-142

STANDARD PARTS

Contents	Page
Fig. 68 - Hydraulic Cooler and Tubes Group	2-144
Fig. 69 - Hydraulic Reservoir Group	2-146
Fig. 70 - Hydraulic Valves Group	2-148
Fig. 71 - Electrical Schematic (000000-001499)	2-150
Fig. 72 - Electrical Schematic (001500-001742)	2-154
Fig. 73 - Electrical Schematic (001743-)	2-158
Fig. 74 - Electrical Schematic, Gasoline/LPG Engine Harness (000000-001499)	2-164
Fig. 75 - Electrical Schematic, Gas Engine Harness (001500-002140)	2-166
Fig. 76 - Electrical Schematic, Gas Engine Harness (002141-)	2-168
Fig. 78 - Electrical Schematic, LPG Engine Harness (002141-)	2-172
Fig. 79 - Electrical Wire Harness Group, Main	2-174
Fig. 80 - Electrical Wire Harness Group, Headlight	2-182
Fig. 81 - Electrical Wire Harness Group, Gasoline/LPG Engine	2-183
Fig. 82 - Label Group	2-188

Fig. 1 - Brushes, Replacement, Scrub Head

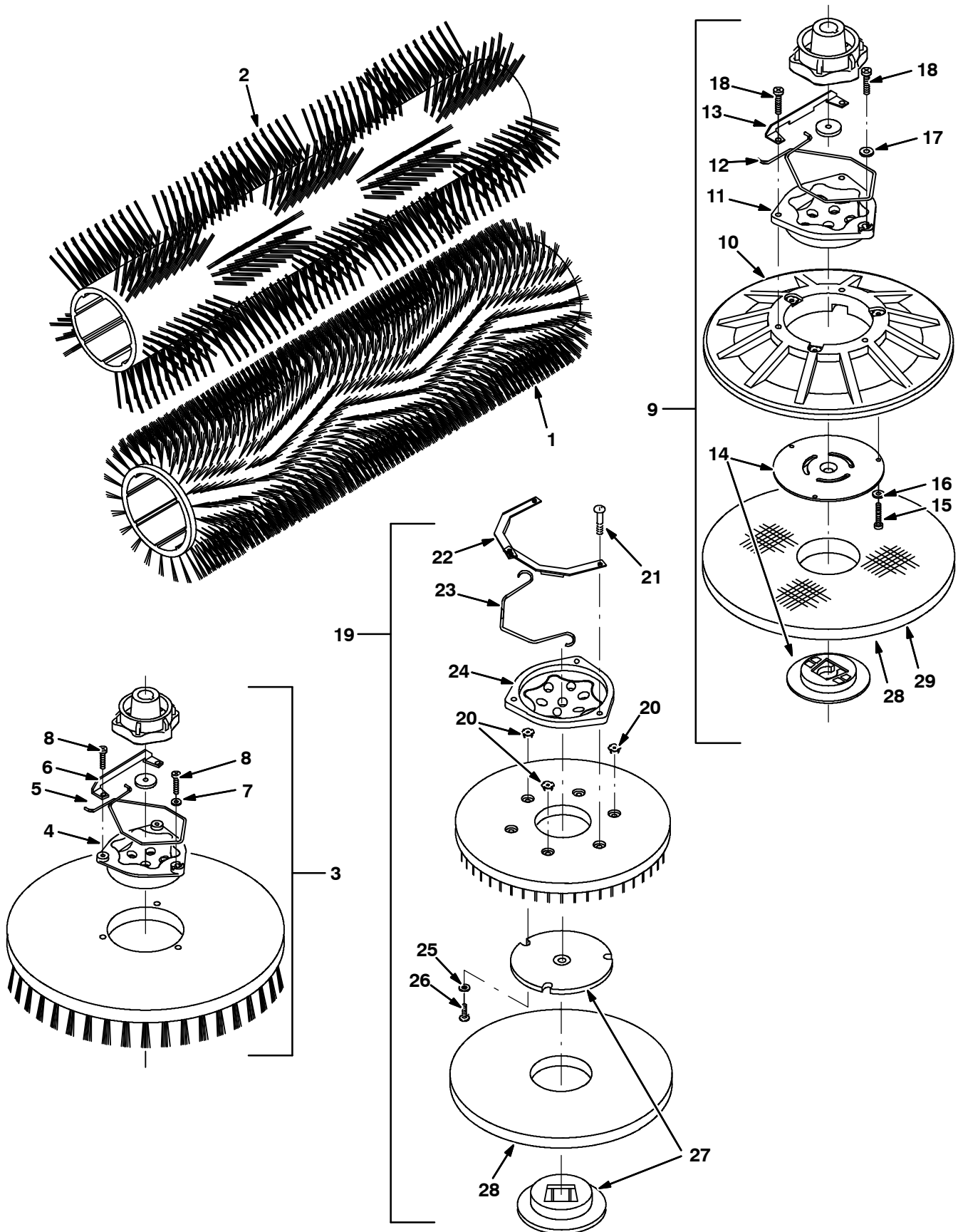


Fig. 1 - Brushes, Replacement, Scrub Head

Ref.	Part No.	Serial Number	Description	Qty.	
1	1026223	(000000-) Brush, Swp / Scb, 40l, Polypropylene	2	
1	1026222	(000000-) Brush, Swp / Scb, 40l, Super Abrasive	2	
1	1027697	(000000-) Brush, Swp / Scb, 40l, Polyester	2	
1	1030969	(000000-) Brush, Swp / Scb, 40l, Heavy Duty Polypropylene	2	
2	1040524	(000000-) Brush, Swp / Scb, 40l, Heavy Duty Polypropylene	2	
2	1059640	(000000-) Brush, Swp / Scb, 40L, Wndw, Super Abrasive	1	
▽	3	222320	(000000-) Brush Assy, Disk, Scb, 14.0 D, Polypropylene	3
▲	4	1017368	(000000-) Hub, Drive, Brush, Disk, 3Hole 5.8Bc	1
▲	5	14838	(000000-) Spring, Wir, 0.16d, Brush Retaining	1
▲	6	24299	(000000-) Bracket, Retainer, Spring	1
▲	7	01684	(000000-) Washer,Flat 0.25, Ss	1
▲	8	32746	(000000-) Screw, Pan, M6 X 1.0 X 35, Ss	3
▽	3	222321	(000000-) Brush Assy, Disk, Scb, 14.0 D, Soft Nylon	3
▲	4	1017368	(000000-) Hub, Drive, Brush, Disk, 3Hole 5.8Bc	1
▲	5	14838	(000000-) Spring, Wir, 0.16d, Brush Retaining	1
▲	6	24299	(000000-) Bracket, Retainer, Spring	1
▲	7	01684	(000000-) Washer,Flat 0.25, Ss	1
▲	8	32746	(000000-) Screw, Pan, M6 X 1.0 X 35, Ss	3
▽	3	222322	(000000-) Brush Assy, Disk, Scb, 14.0d, Super Abrasive	3
▲	4	1017368	(000000-) Hub, Drive, Brush, Disk, 3Hole 5.8Bc	1
▲	5	14838	(000000-) Spring, Wir, 0.16d, Brush Retaining	1
▲	6	24299	(000000-) Bracket, Retainer, Spring	1
▲	7	01684	(000000-) Washer,Flat 0.25, Ss	1
▲	8	32746	(000000-) Screw, Pan, M6 X 1.0 X 35, Ss	3
▽	9	397914	(000000-) Driver Assy, Pad, 14.0d	3
▲	10	397974	(000000-) Disk, Driver, Pad, W/ Face, 14.0d	1
▲	11	15539	(000000-) Hub, Drive, Brush, Disk, 3hole 5.8bc[6t]	1
▲	12	14838	(000000-) Spring, Wir, 0.16d, Brush Retaining	1
▲	13	24299	(000000-) Bracket, Retainer, Spring	1
▲	14	370095	(000000-) Device, Centering, Clip On, TI [Gf Pp]	1
▲	15	09198	(000000-) Screw, Pan, M4 X 0.7 X 35, Ss	3
▲	16	41579	(000000-) Washer, Flat, #08, Ss	3
▲	17	01684	(000000-) Washer,Flat 0.25, Ss	1
▲	18	32746	(000000-) Screw, Pan, M6 X 1.0 X 35, Ss	3
▽	19	399249	(000000-) Driver Assy, Pad, 14 D, Brush	3
▲	20	10908	(000000-) Nut, T, M4 X 0.70	3
▲	21	32747	(000000-) Screw, Pan, M6 X 1.0 X 40, Ss	3
▲	22	21852	(000000-) Bracket, Retainer, Spring	2
▲	23	1028905	(000000-) Spring, Wir, 0.16d, Brush Retaining [T5]	1
▲	24	1017112	(000000-) Hub, Drive, Brush, Disk, 3hole 5.8bc	1
▲	25	41579	(000000-) Washer, Flat, #08, Ss	3
▲	26	04403	(000000-) Screw, Pan, M4 X 0.7 X 25, Ss, NI	3
▲	27	370095	(000000-) Device, Centering, Clip On, TI [Gf Pp]	1
	28	222324	(000000-) Pad, Polish, 14.0d, White [1pad=1pc]	3
	28	222325	(000000-) Pad, Buff, 14.0d, Red	3
	28	222326	(000000-) Pad, Scb, 14.0d, Blu [1pad=1pc]	3
	28	222327	(000000-) Pad, Stripping, 14.0d, Brown [1pad=1pc]	3
	28	1051026	(000000-) Pad, Surf Prep, 14.0D Maroon, [1PICK=1PAD]	3
	29	370091	(000000-) Pad, High Productivity Stripping, 14.0d, Blk	3

Fig. 2 - Brushes, Replacement, Side Brush

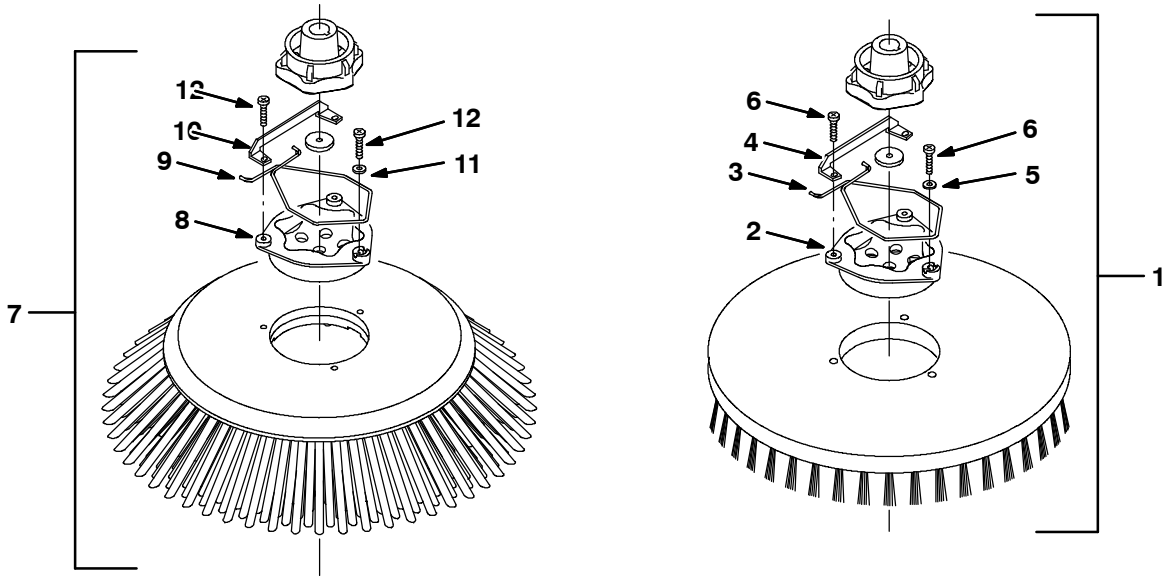


Fig. 2 - Brushes, Replacement, Side Brush

	Ref.	Part No.	Serial Number	Description	Qty.
▽	1	1042500	(000000-) Brush Assy, Disk, Scg, 16.0 D, Heavy Duty Polypropylene	1
▲	2	1017368	(000000-) Hub, Drive, Brush, Disk, 3hole 5.8bc	1
▲	3	14838	(000000-) Spring, Wir, 0.16d, Brush Retaining	1
▲	4	24299	(000000-) Bracket, Retainer, Spring	1
▲	5	01684	(000000-) Washer, Flat, 0.27b 0.69d .05, Ss	1
▲	6	32746	(000000-) Screw, Pan, Phl, M6 X 1.00 X 35, Ss	3
▽	1	1042504	(000000-) Brush Assy, Disk, Scg, 16.0 D, Super Abrasive	1
▲	2	1017368	(000000-) Hub, Drive, Brush, Disk, 3hole 5.8bc	1
▲	3	14838	(000000-) Spring, Wir, 0.16d, Brush Retaining	1
▲	4	24299	(000000-) Bracket, Retainer, Spring	1
▲	5	01684	(000000-) Washer, Flat, 0.27b 0.69d .05, Ss	1
▲	6	32746	(000000-) Screw, Pan, Phl, M6 X 1.00 X 35, Ss	3
▽	1	1042499	(000000-) Brush Assy, Disk, Scb, 16.0D, Nylon	1
▲	2	1017368	(000000-) Hub, Drive, Brush, Disk, 3hole 5.8bc	1
▲	3	14838	(000000-) Spring, Wir, 0.16d, Brush Retaining	1
▲	4	24299	(000000-) Bracket, Retainer, Spring	1
▲	5	01684	(000000-) Washer, Flat, 0.27b 0.69d .05, Ss	1
▲	6	32746	(000000-) Screw, Pan, Phl, M6 X 1.00 X 35, Ss	3
▽	7	1027688	(000000-) Brush Assy, Disk, Swp, 24.0D, Polypropylene	1
▲	8	15539	(000000-) Hub, Drive, Brush, Disk, 3hole 5.8bc[6t]	1
▲	9	14838	(000000-) Spring, Wir, 0.16d, Brush Retaining	1
▲	10	24299	(000000-) Bracket, Retainer, Spring	1
▲	11	01684	(000000-) Washer, Flat, 0.25, Ss	1
▲	12	32746	(000000-) Screw, Pan, M6 X 1.0 X 35, Ss	3

Fig. 3 - Main Frame Group

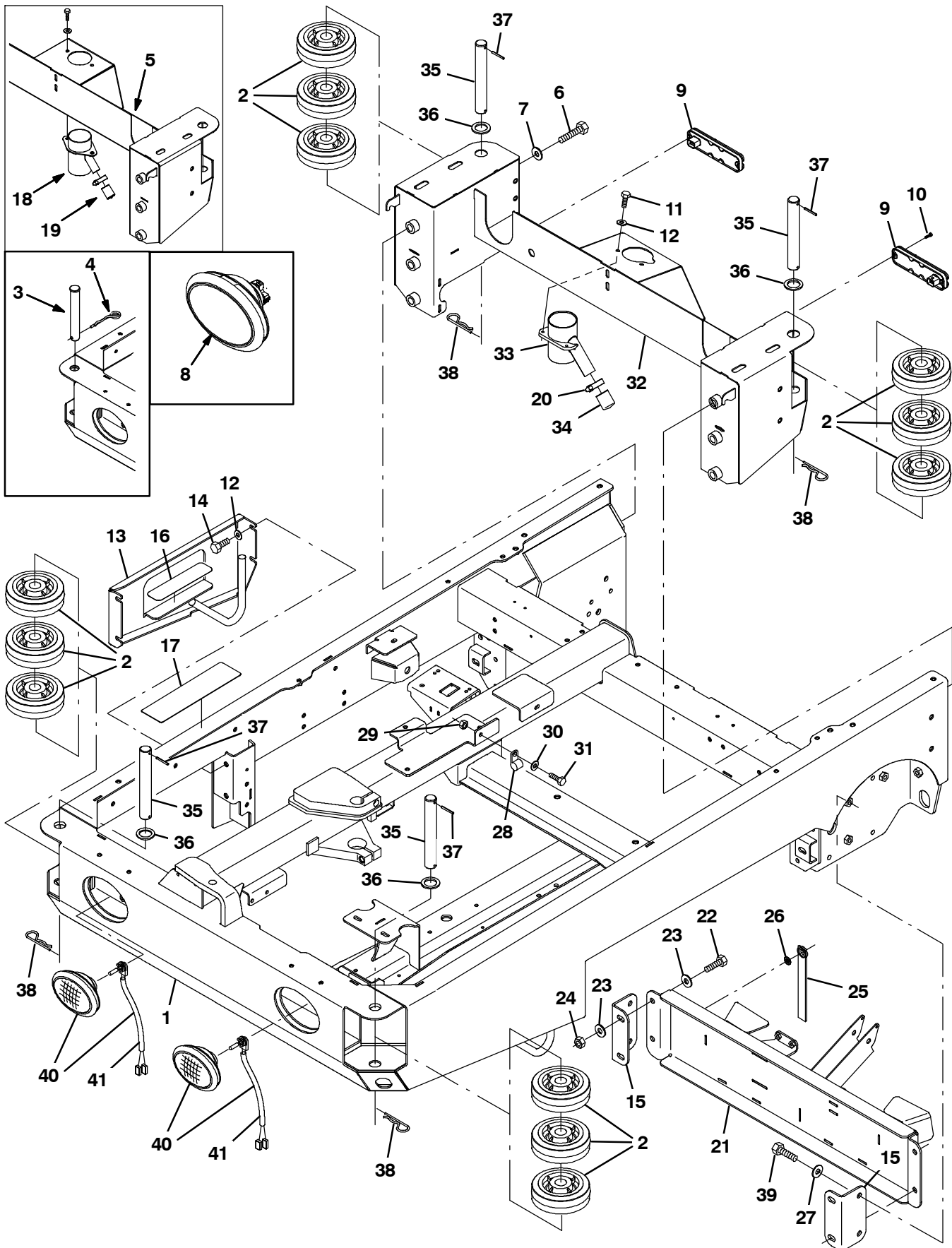


Fig. 3 - Main Frame Group

Ref.	Part No.	Serial Number	Description	Qty.	
1	9002401	(000000-) Frame Wldt, Main, Replmt [M20 & T20]	1	
2	1060130	(000000-) Wheel, 06.0D 2.00W 1.19B, Gray Rbr	6	
3	9006334	(000000-002102) Pin Kit, Wheel, Ci [M20/T20/M30]	4	
4	761490	(000000-002102) Pin, Cotter, Hair, Dbl	4	
5	1026150	(000000-001720) Bumper Wldt, Rear (Replaced by 9003679)	1	
6	06971	(000000-) Screw, Hex, M12 X 1.75 X 50, 8.8	6	
7	32493	(000000-) Washer, Flat, 0.50, Std	6	
▽	8	1019225	(000000-002352) Headlight, 12vdc, 27watt, 2.1a, Oval (Rpl by 1060942)	2	
▲		1031826	(000000-002352) Lamp, 12vdc [Speaker]	1	
▲		1031827	(000000-002352) Receptacle, Lamp [Speaker]	1	
9	1018208	(000000-) Light, Tail, 12vdc	2	
10	06928	(000000-) Screw, Pan, M4 X 0.70 X 20, 4.8	4	
11	09740	(000000-) Screw, Hex, M8 X 1.25 X 20, Ss	2	
12	01686	(000000-) Washer, Flat, 0.44b 1.00d .08, Ss	6	
13	1027916	(000000-) Panel Wldt, Filler	1	
14	12317	(000000-) Screw, Hex, M10 X 1.5 X 30, Ss	4	
15	1025254	(000000-) Bracket, Mtg, Sqge, Disk Head (Disk Scrub Head)	2	
16	363458	(000000-) Tread, Non-Skid, 01.9w 08.0l	1	
17	58819	(000000-) Tread, Non-Skid, 03.0w 11.6l	1	
18	1027347	(000000-001720) Coupling, Hose	1	
19	1028253	(000000-001720) Grip, Handle, 1.0d 1.5l Blk (Disk Scrub Head)	1	
20	11399	(000000-) Clamp, Hose, Wormdrive, 0.81-1.50d, .50w (Disk Scrub Head)	1	
21	1027269	(000000-) Crossmember Wldt, Sqge (Disk Scrub Head)	1	
22	77347	(000000-) Screw, Hex, M10 X 1.5 X 35, Ss (Disk Scrub Head)	4	
23	32492	(000000-) Washer, Flat, 0.38, Std (Disk Scrub Head)	8	
24	08714	(000000-) Nut, Hex, Lock, M10 X 1.5, NI, Ss (Disk Scrub Head)	4	
25	71579	(000000-) Strap, Static, W/Grommet, .19 1.1w 25.0l (Disk Scrub Head)	1	
26	41141	(000000-) Washer, Lock, Int-Ext, 0.31 (Disk Scrub Head)	1	
27	32493	(000000-) Washer, Flat, 0.50, Std (Disk Scrub Head)	4	
28	53466	(001036-) Clamp, Cable, Stl, 1.50d X 1.00w, 1hole	1	
29	08709	(001036-) Nut, Hex, Lock, M8 X 1.25, NI	1	
30	32491	(001036-) Washer, Flat, 0.31, Std	1	
31	39277	(001036-) Screw, Hex, M8 X 1.25 X 25, 8.8	1	
32	1039091	(001721-) Bumper Wldt, Rear	1	
33	1036240	(001721-) Tube, Vacuum	1	
34	1038498	(001721-) Grip, Handle, 1.25D 1.50L Blk	1	
35	23146	(002103-) Pin, Roll, .187d X 1.62l, .187/.192	4	
36	1062566	(002103-) Washer, Flat, 1.26B 1.88D .13, Stl, PI	4	
37	1053838	(002103-) Pin, 30mmd X 215mml	4	
38	34411	(002103-) Pin, Cotter, Hair, 1.00d .178 Wir	4	
39	12309	(000000-) Screw, Hex, M12 X 1.75 X 30, Ss	4	
▽	40	1060942	(002353-) Headlight, 12Vdc, Oval, Halogen	2
▲	41	9007513	(002353-) Lamp, Halogen [Speaker]	1

Fig. 4 - Operator Station Group

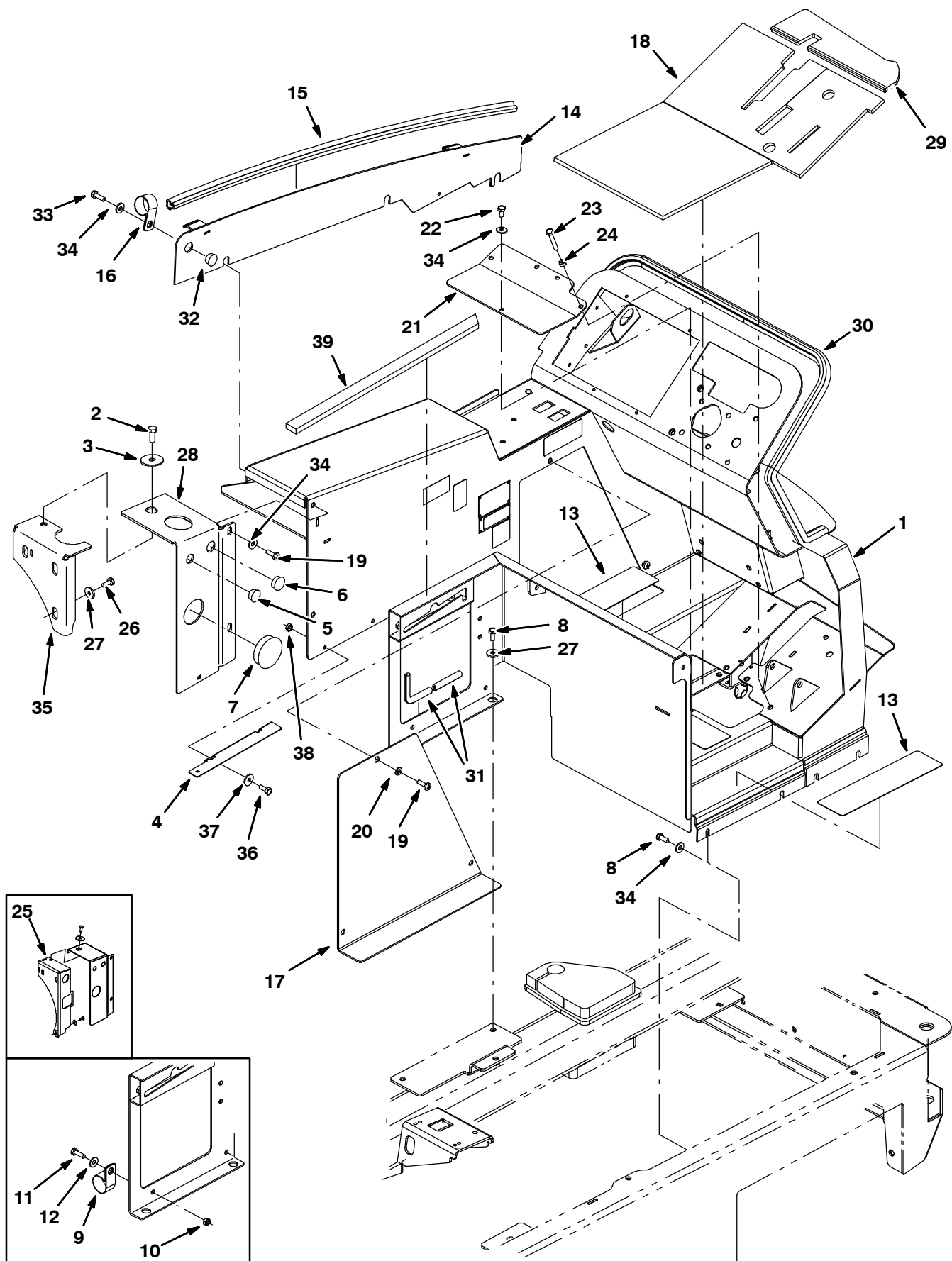


Fig. 4 - Operator Station Group

Ref.	Part No.	Serial Number	Description	Qty.
1	9002409	(000000-) Panel Wldt, Gas, Replmt	1
1	9002380	(000000-) Panel Wldt, Gas, Replmt [W/Fast]	1
1	9002381	(000000-) Panel Wldt, Gas, W/ Es, Replmt	1
1	9003422	(000000-) Panel Wldt, Gas, Replmt, TJ (Japan only)	1
1	9003425	(000000-) Panel Wldt, Gas, Replmt, TJ [W/Fast] (Japan only)	1
1	9003428	(000000-) Panel Wldt, Gas, Replmt, TJ, W/Es (Japan only)	1
1	9003431	(000000-) Panel Wldt, LPG, Replmt	1
1	9003432	(000000-) Panel Wldt, LPG, Replmt [W/Fast]	1
1	9003433	(000000-) Panel Wldt, LPG, Replmt, W/Es	1
1	9003423	(000000-) Panel Wldt, LPG, Replmt, TJ (Japan only)	1
1	9003426	(000000-) Panel Wldt, LPG, Replmt, TJ [W/Fast] (Japan only)	1
1	9003429	(000000-) Panel Wldt, LPG, Replmt, TJ, W/Es (Japan only)	1
2	39283	(000000-) Screw, Hex, M10 X 1.5 X 25, 8.8	1
3	04414	(000000-) Washer, Flat, 0.53b 1.88d .12, Stl, Pl	1
4	1047169	(000000-) Bracket, Mtg, Insulation	2
5	82727	(000000-) Plug, Hole, Rnd, 0.88h .03-.12, Blk Nyl	1
6	01493	(000000-) Plug, Hole, Rnd, 1.00h .03-.12, Blk Nyl	1
7	1030017	(000000-) Plug, Hole, Rnd, 2.50h .03-.25, Blk Nyl	1
8	16931	(000000-) Screw, Hex, M8 X 1.25 X 20, 8.8	8
9	70157	(000000-001035)) Clamp, Cable, Ss, 2.50d X 1.00w, 1h	1
10	08709	(000000-001035)) Nut, Hex, Lock, M8 X 1.25, NI	2
11	39277	(000000-001035)) Screw, Hex, M8 X 1.25 X 25, 8.8	7
12	32491	(000000-001035)) Washer, Flat, 0.31, Std	18
13	58819	(000000-) Tread, Non-Skid, 03.0w 11.6l	4
14	1025435	(000000-001499)) Panel Wldt, Adj	1
14	1035832	(001500-) Panel Wldt, Adj [2007]	1
15	1030593	(000000-) Seal, Afmkt, Bulb, 90, 0.75d F/11ga 08ft	1
16	53466	(000000-) Clamp, Cable, Stl, 1.50d X 1.00w, 1h	5
17	1021834	(000000-) Panel, Access, Door	1
18	1027218	(000000-) Mat, Floor	1
19	1031665	(000000-) Screw, Pan, M8 X 1.25 X 25, Blk	4
20	39349	(000000-) Washer, Flat, 0.31 Sae	3
21	1022699	(000000-) Panel, Access, Floor	1
22	16931	(000000-) Screw, Hex, M8 X 1.25 X 20, 8.8	4
23	363976	(000000-) Screw, Hex, M8 X 1.25 X 60, 8.8, Fl	1
24	39311	(000000-) Nut, Hex, Std, M8 X 1.25	1
25	1020540	(000000-001683)) Bracket Wldt, Mtg, Tank	1
26	09740	(000000-) Screw, Hex, M8 X 1.25 X 20, Ss	3
27	1017218	(000000-) Washer, Flat, 0.32b 1.00d .12, Ss	5
28	1033975	(000000-) Bracket, Mtg	1
29	1027267	(000000-) Mat, Floor	1
30	1020904	(000000-) Seal, Panl, Instmt	1
31	1020168	(000000-) Molding, Afmkt, Trim, Pvc, .08 .11, 1ft	1
32	80288	(001500-) Plug, Hole, Rnd, 0.81h, Blk	1
33	39277	(000000-) Screw, Hex, M8 X 1.25 X 25, 8.8	6
34	32491	(000000-) Washer, Flat, 0.31, Std	17
35	1035997	(001684-) Bracket Wldt, Mtg, Tank	1
36	06942	(000000-) Screw, Hex, M6 X 1.00 X 16, 8.8	2
37	32490	(000000-) Washer, Flat, 0.25, Std	2
38	08708	(000000-) Nut, Hex, Lock, M6 X 1.00, NI	2
39	1047295	(000000-) Seal, Foam, 0.50	1

Fig. 5 - Operator Station Insulation Group

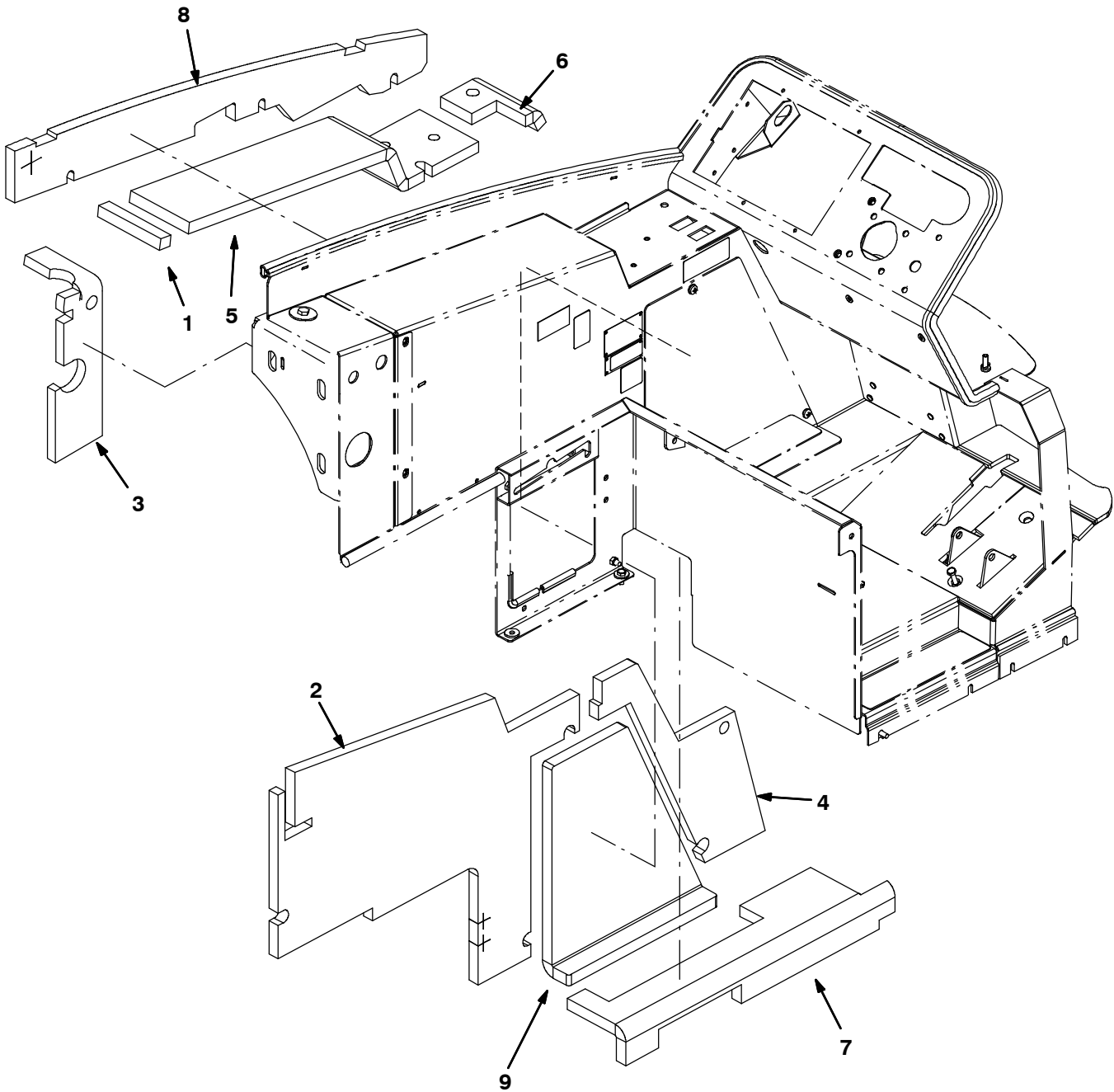


Fig. 5 - Operator Station Insulation Group

Ref.	Part No.	Serial Number	Description	Qty.
1	1034769	(000000-) Insulation, Flame-retardant, 0.75-0.88	1
2	1034765	(000000-) Insulation, Flame-retardant, 0.75-0.88	1
3	1040841	(000000-) Insulation, Flame-Retardant, 0.75-0.88	1
4	1023464	(000000-) Insulation, Flame-Retardant, 0.75-0.88	1
5	1034764	(000000-) Insulation, Flame-retardant, 0.75-0.88	1
6	1034766	(000000-) Insulation, Flame-retardant, 0.75-0.88	1
7	1034768	(000000-) Insulation, Flame-retardant, 0.75-0.88	1
8	1034770	(000000-) Insulation, Flame-retardant, 0.75-0.88	1
9	1023569	(000000-) Insulation, Flame-Retardant, 0.75-0.88	1

Fig. 6 - Instrument Panel Group

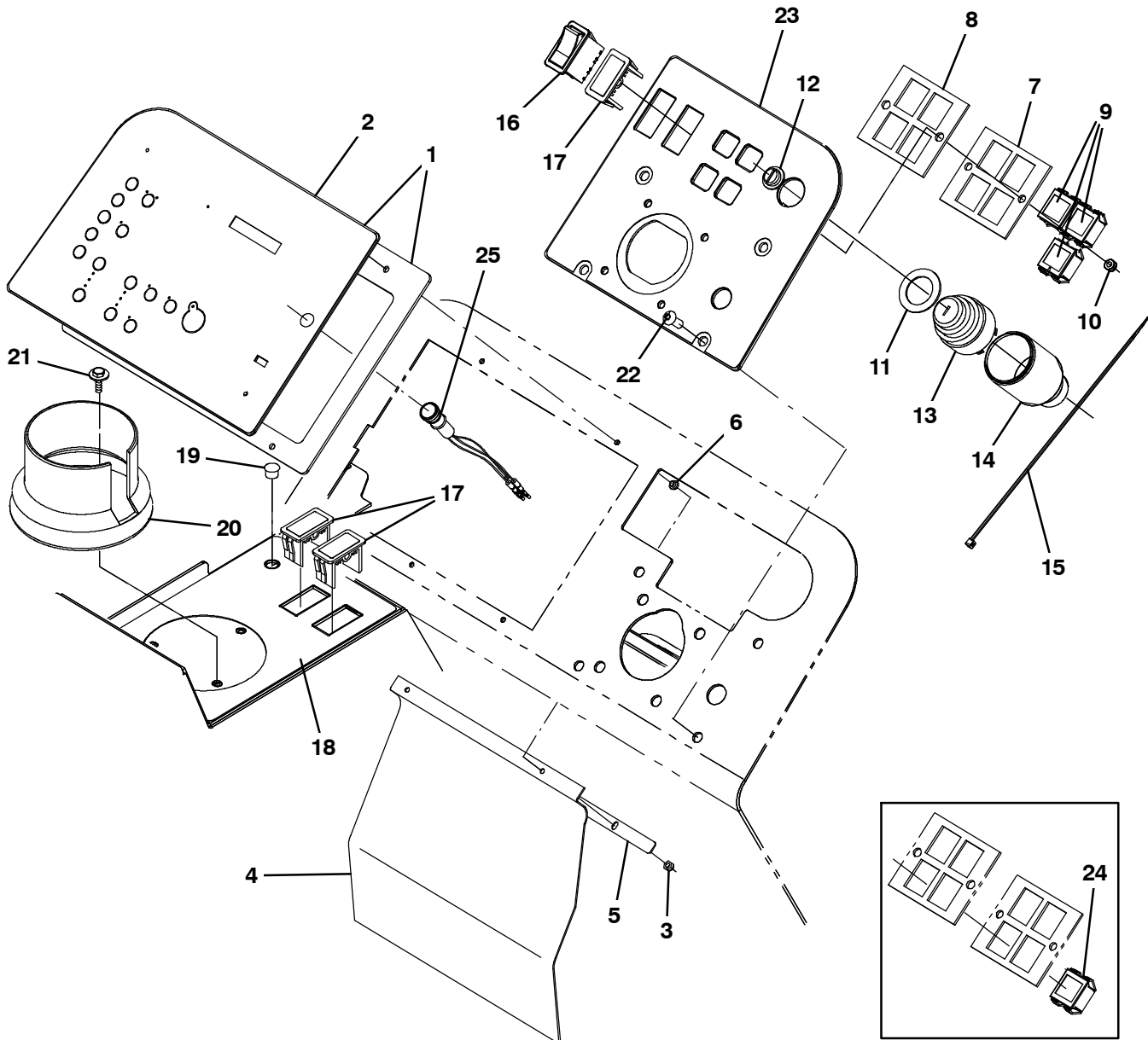


Fig. 6 - Instrument Panel Group

	Ref.	Part No.	Serial Number	Description	Qty.
▽	1	9002436	(000000-) Panel Kit, Instmt, Replmt [T20]	1
▲	2	9002437	(000000-) Label Kit, Panel, Replmt [T20]	1
▽	1	9007914	(000000-) Panel Kit, Instmt, Replmt [T20 ec-H20 only]	1
▲	2	9001915	(000000-) Label Kit, Panel, Replmt [T20 ec-H20 only]	1
	3	16968	(000000-) Nut, Hex, Lock, #08-32, NI	4
	4	1028769	(000000-) Flap, Battery	1
	5	1028772	(000000-) Bar, Flat, Ss, .06 X .50 X 10.0l 2/.19sl	1
	6	1029362	(000000-) Washer, Shld, Nyl [8-32]	4
	7	361071	(000000-) Plate, Mtg, Light	1
	8	361073	(000000-) Seal, Rbr, Clsd, 0.13, Instmt Panl	1
	9	361075	(000000-) Light, Panl, 14vdc, , 1.1 X 1.0	3
	10	08712	(000000-) Nut, Hex, Lock, M6 X 1.0, Ss, NI	2
	11	73736	(000000-) Washer, Flat, 1.15b 1.75d .08, Stl	1
	12	382516	(000000-) Boot, .63id .29l .90w	1
▽	13	87536	(000000-) Switch, Ignition [Ku]	1
▲		87866	(000000-) Key, Ignition [Set Of 2]	1
	14	383165	(000000-) Boot, Switch, Ignition	1
	15	49266	(000000-) Tie, Cable, Nyl, 07.3l .19w 1.8 Max D	2
	16	392171	(000000-) Switch, Rocker, Dpdt On/Off/On	1
	17	398501	(000000-) Plug, Hole, Rt, Rocker Switch, .87 X 1.7	3
	18	1027284	(000000-) Label, Switch, Rocker [T20]	1
	19	56992	(000000-) Plug, Hole, Rnd, 0.50h .03-.12, Blk Nyl	1
	20	223599	(000000-) Cup Holder, Rwk	1
	21	1036892	(000000-) Screw, Hex, M6 X 1.00 X 25, 9.8 Sems	3
	22	1031665	(000000-) Screw, Pan, M8 X 1.25 X 25, Blk	4
	23	9004880	(000000-) Panel, Instmt, Rh, Gas, Replmt	1
	23	9002391	(000000-) Panel, Instmt, Rh, Lpg, Replmt	1
	23	9002392	(000000-) Panel, Instmt, Rh, Lpg, Replmt, CE/TJ (Japan only)	1
	24	361075	(000000-001997) Light, Panl, 14vdc, , 1.1 X 1.0	1
	25	1041822	(000000-) Light, Led, .312D, 2 Volt [Tri-Color] (ec-H20 only)	1

Fig. 7 - Seat Group

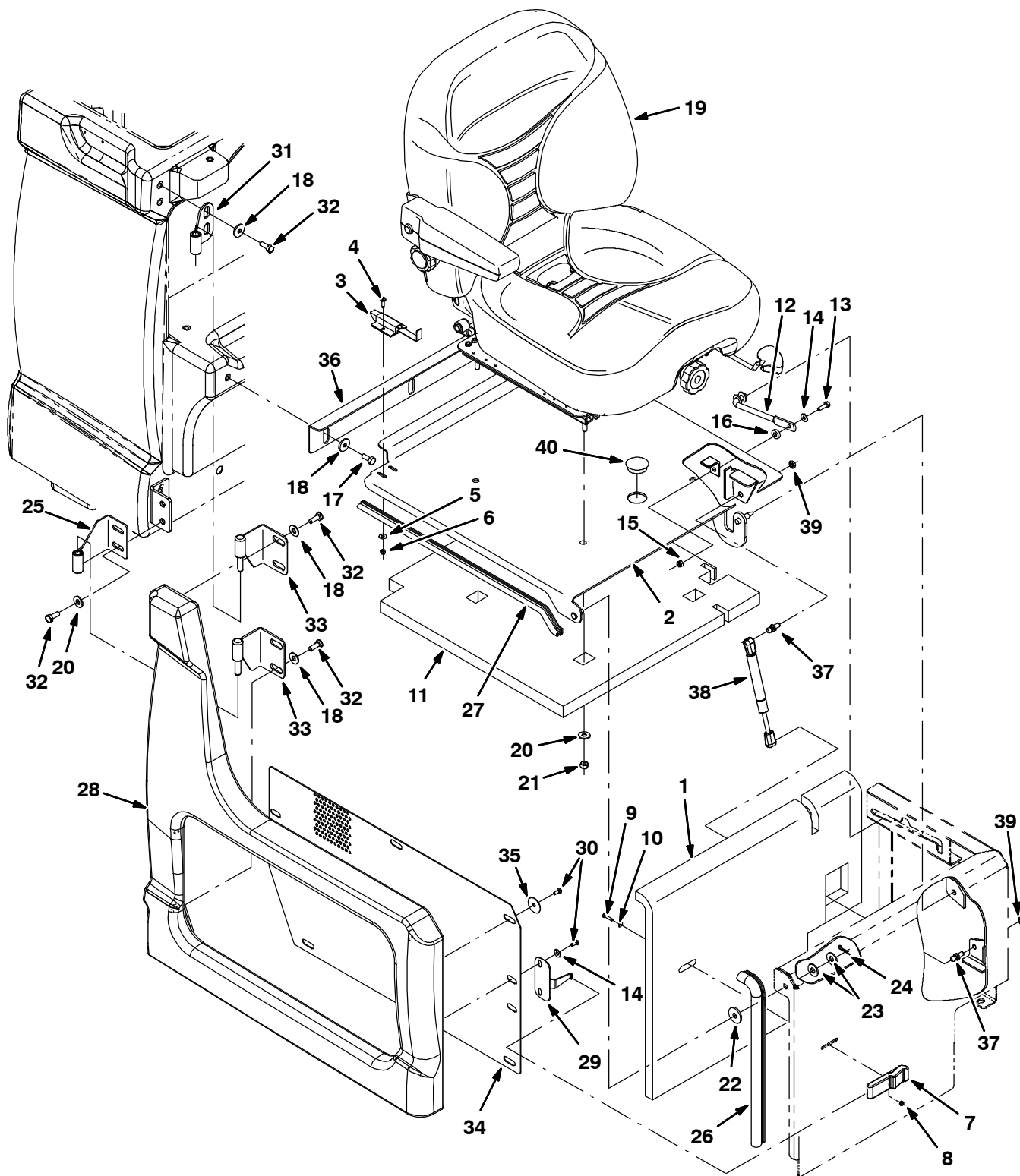


Fig. 7 - Seat Group

Ref.	Part No.	Serial Number	Description	Qty.
1	1034767	(000000-) Insulation, Flame-retardant, 0.75-0.88	1
2	1019228	(000000-) Plate Wldt, Seat	1
3	1025736	(000000-) Latch	1
4	09252	(000000-) Screw, Hex, M5 X 0.8 X 20, 8.8	2
5	19066	(000000-) Washer, Flat, #10	2
6	06549	(000000-) Nut, Hex, Lock, M5 X 0.8, NI	2
7	49800	(000000-) Latch	1
8	02850	(000000-) Nut, Hex, Lock, M4 X 0.7, NI	4
9	06929	(000000-) Screw, Pan, M4 X 0.7 X 25, 4.8	4
10	19065	(000000-) Washer, Flat, #08	2
11	1023499	(000000-) Insulation, Flame-Retardant, 1.0	1
12	223080	(000000-) Arm Wldt, Safety, Sppt, Seat, .38d 06.5d	1
13	06943	(000000-) Screw, Hex, M6 X 1.0 X 20, 8.8	1
14	32483	(000000-) Washer, Flat, 0.25 Sae	9
15	08708	(000000-) Nut, Hex, Lock, M6 X 1.0, NI	1
16	21851	(000000-) Spacer, Plstc, Ny	1
17	09740	(000000-) Screw, Hex, M8 X 1.25 X 20, Ss	3
18	1017218	(000000-) Washer, Flat, 0.32b 1.00d .12, Ss	11
19	1022105	(000000-) Seat, Suspension, W/1 Arm And Belt	1
20	32491	(000000-) Washer, Flat, 0.31, Std	6
21	32983	(000000-) Nut, Hex, Lock, .31-18, NI	4
22	364749	(000000-) Washer, Flat, 0.41b 1.25d .12, Pye	1
23	32492	(000000-) Washer, Flat, 0.38 Std	2
24	08085	(000000-) Pin, Cotter, Hair, 0.31d .058 Wir	1
25	1024138	(000000-) Hinge Wldt, Door	1
26	1030588	(000000-) Seal, Afmkt, Bulb, 90, 0.75d F/11ga 02ft	1
27	1031206	(000000-) Seal, Afmkt, Bulb, 90, 0.50d, 02ft	1
28	1018776	(000000-) Shroud, Seat	1
29	1026825	(000000-) Bracket, Latch, Shrd, Seat	1
30	09200	(000000-) Screw, Pan, M5 X 0.8 X 12, Ss	8
31	1024464	(000000-) Hinge Wldt, Shrd, Rh	1
32	16931	(000000-) Screw, Hex, M8 X 1.25 X 20, 8.8	10
33	1024425	(000000-) Hinge Wldt, Shrd, Rh	2
34	1025916	(000000-) Grill, Side	1
35	41178	(000000-) Washer, Flat, 0.25 Fendr	6
36	1020487	(000000-) Bracket, Seat, Adj	1
37	58494	(001014-) Stud, Ball, .39d .31-16, Gasspring	2
38	368391	(001014-) Gasspring, 180lb, 03.0strk	1
39	01760	(001014-) Nut, Hex, Lock, .31-18, NI, Thin	2
40	76888	(001998-) Plug, Hole, Rnd, 1.25H .03-.12, Blk Nyl	1

Fig. 8 - Steering Group

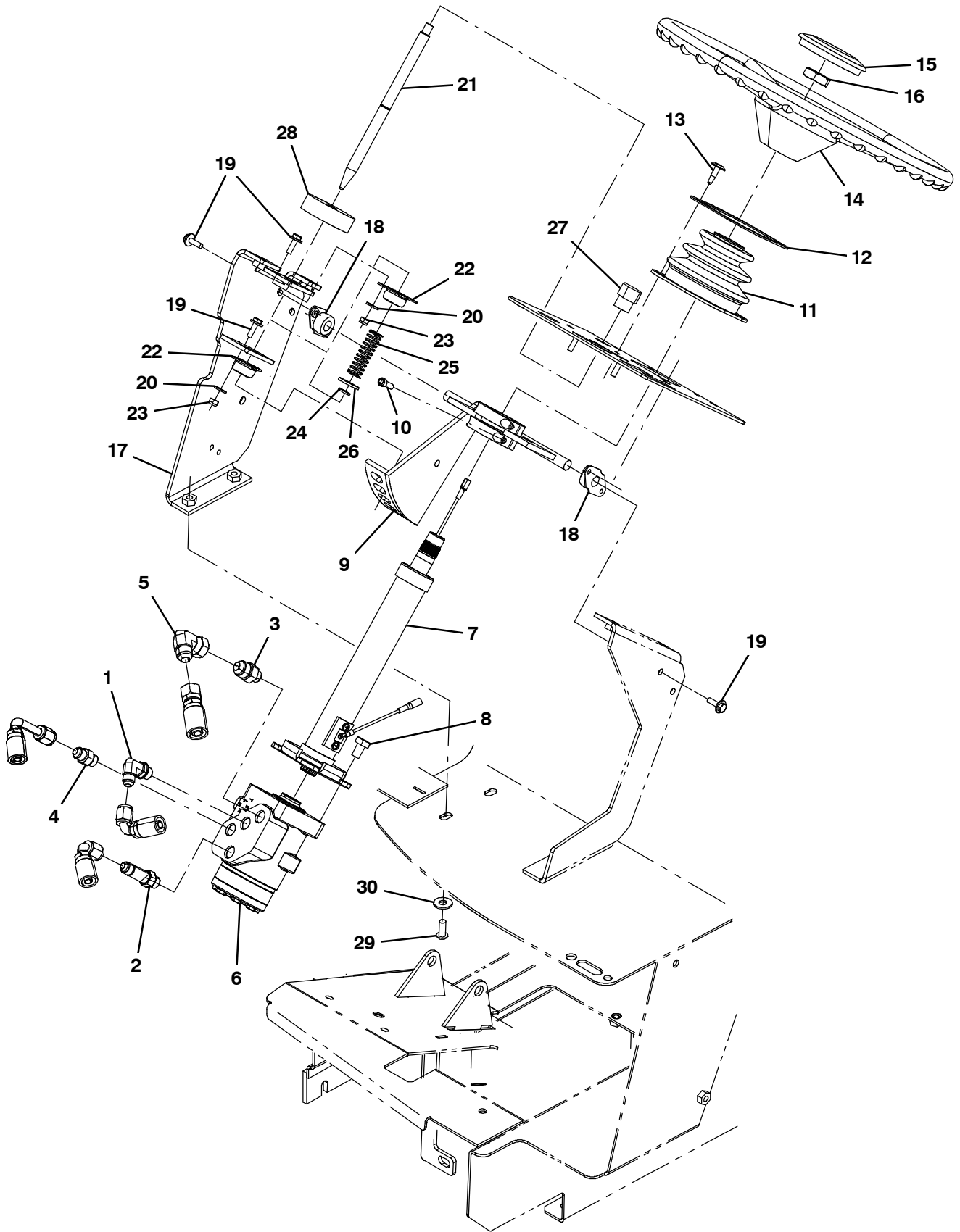


Fig. 8 - Steering Group

Ref.	Part No.	Serial Number	Description	Qty.	
1	56820	(000000-) Fitting, Hyd, E90, Jm06/Om06	1	
2	59577	(000000-) Fitting, Hyd, Str, Jm06/Om06, L	1	
3	56835	(000000-) Fitting, Hyd, Str, Jm08/Om06	1	
4	56690	(000000-) Fitting, Hyd, Str, Jm06/Om06	1	
5	17980	(000000-) Fitting, Hyd, E90, Jf08/Jm08	1	
6	1024260	(000000-) Steer-Control, Hyd#05, 06.1 2030 (See Breakdowns)	1	
1021265	1060791	(000000-) Column, Steering, 09.9L 0.86D 36Tooth	1	
8	06960	(000000-) Screw, Hex, M10 X 1.5 X 16, 8.8	4	
▽	9	73027	(000000-) Bracket Wldt, Steering, Tilt	1
▲	10	01681	(000000-) Screw, Soc, .25-20 X 0.75, Al	4
11	70622	(000000-) Boot, Bellows, 3.1l 4.4w 2.8h 1hole, Neo	1	
12	70623	(000000-) Retainer, Boot, Steering Column	1	
13	72970	(000000-) Rivet, Plstc, .250d X 0.898	4	
14	1058996	(000000-) Wheel, Steering, 14.3d 0.81b 36tooth	1	
15	1024478	(000000-) Button, Cntrl, Horn	1	
16	56185	(000000-) Nut, Hex, Jam, M20 X 1.5	1	
17	1024695	(000000-) Bracket Wldt, Tilt, Rh	1	
18	70709	(000000-) Bearing, Flng, 2-Hole, 0.50b	2	
19	1040467	(000000-) Screw, Hex, M6 X 1.00 X 20, 9.8, Sems	8	
20	32483	(000000-) Washer, Flat, 0.25 Sae	4	
21	1023926	(000000-) Pin, Locking, Steering, Tilt	1	
22	47585	(000000-) Bearing, Flng, 2hole, 0.50b [Nyl]	2	
23	08708	(000000-) Nut, Hex, Lock, M6 X 1.0, NI	4	
24	70717	(000000-) Ring, Retaining, Ext, 0.50d, Hd	1	
25	22290	(000000-) Spring, Cmpr, 18.8d, 1.6w, 57.1l	1	
26	32486	(000000-) Washer, Flat, 0.50 Sae	1	
27	04706	(000000-) Knob, Tee, 2.5x1.0 1.1l 0.38-16 Plstc	1	
28	75968	(000000-) Insulation, Acstc, Rnd, 0.8, 02.5d 0.5h	1	
29	1031665	(000000-) Screw, Pan, M8 X 1.25 X 25, Blk	2	
30	32491	(000000-) Washer, Flat, 0.31, Std	2	

Fig. 9 - Front Cover Group

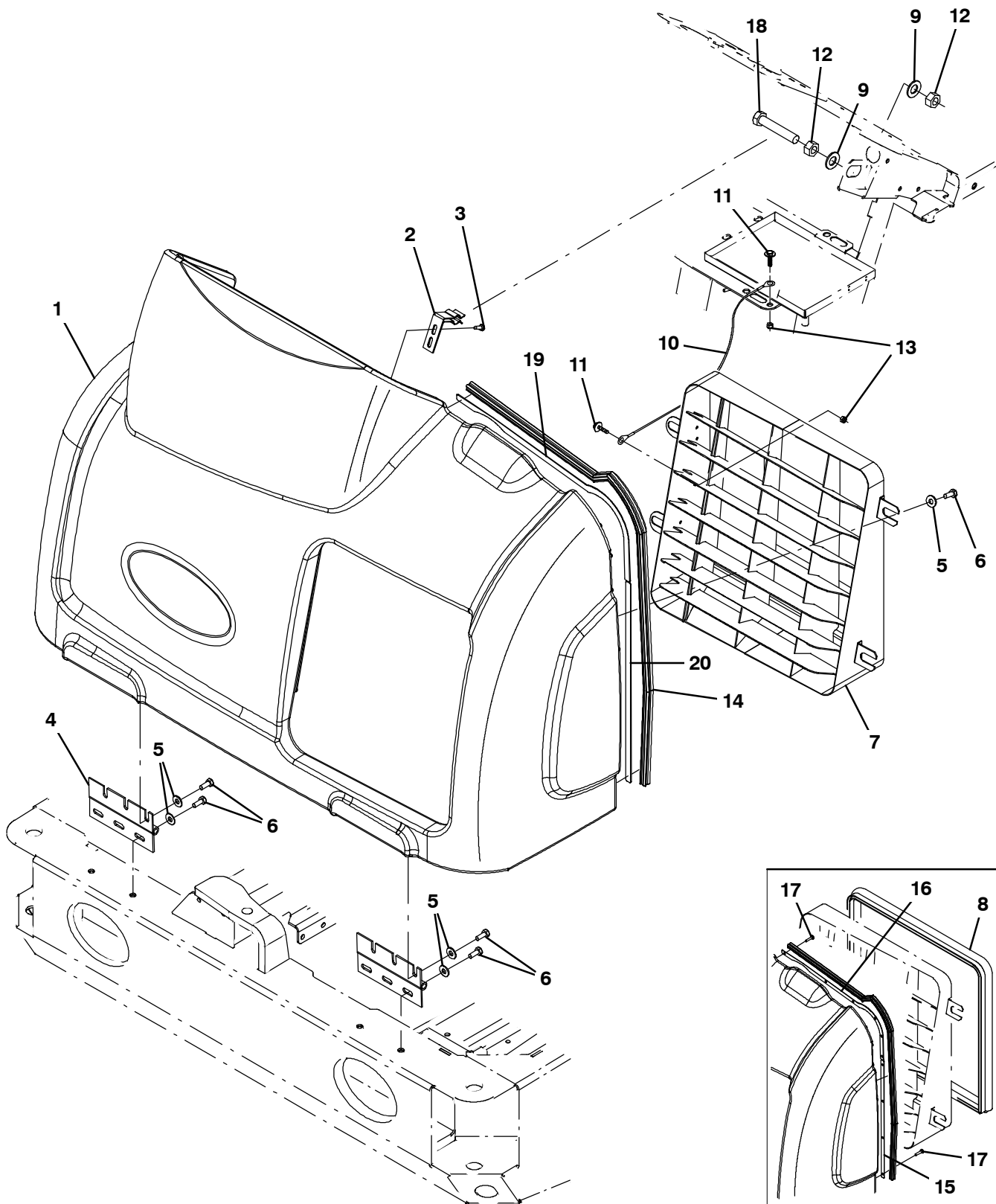


Fig. 9 - Front Cover Group

Ref.	Part No.	Serial Number	Description	Qty.
1	1022069	(000000-) Shroud, Front, Trimmed	1
2	1008916	(000000-) Bracket Wldt, Latch	1
3	06942	(000000-) Screw, Hex, M6 X 1.0 X 16, 8.8	2
4	71941	(000000-) Hinge, .38pin .11 3.5w 06.0l 6/0.38sl	2
5	32491	(000000-) Washer, Flat, 0.31, Std	14
6	16931	(000000-) Screw, Hex, M8 X 1.25 X 20, 8.8	14
7	1035068	(000000-002092) Grill Wldt, Front	1
7	1046090	(002093-) Grill Wldt, Front	1
8	1031557	(000000-001021) Seal, Afrmkt, Bulb, Str, 1.0d F/11ga 08ft	1
9	15331	(000000-) Washer, Flat, 0.62 Sae	2
10	391368	(000000-) Cable, Glv .09d 016.5l .38eye /.38eye	1
11	1040467	(000000-) Screw, Hex, M6 X 1.00 X 20, 9.8, Sems	2
12	07782	(000000-) Nut, Hex, Std, M16 X 2.0	2
13	08708	(000000-) Nut, Hex, Lock, M6 X 1.0, NI	2
14	1049919	(000000-) Seal, Sponge, 0.88 1.00W 43.0L	1
15	1029652	(000000-001512) Plate, Mtg, Seal	1
16	1029545	(000000-001512) Plate, Mtg, Seal	1
17	20394	(000000-001512) Screw, Hex, #10-16 X 0.62, Fmg, [Ab]	10
18	06988	(000000-) Screw, Hex, M16 X 2.0 X 90, 8.8	1
19	1037970	(001513-) Strip Mtg, Seal	1
20	1037971	(001513-) Strip Mtg, Seal	1

Fig. 10 - Engine Cover Group

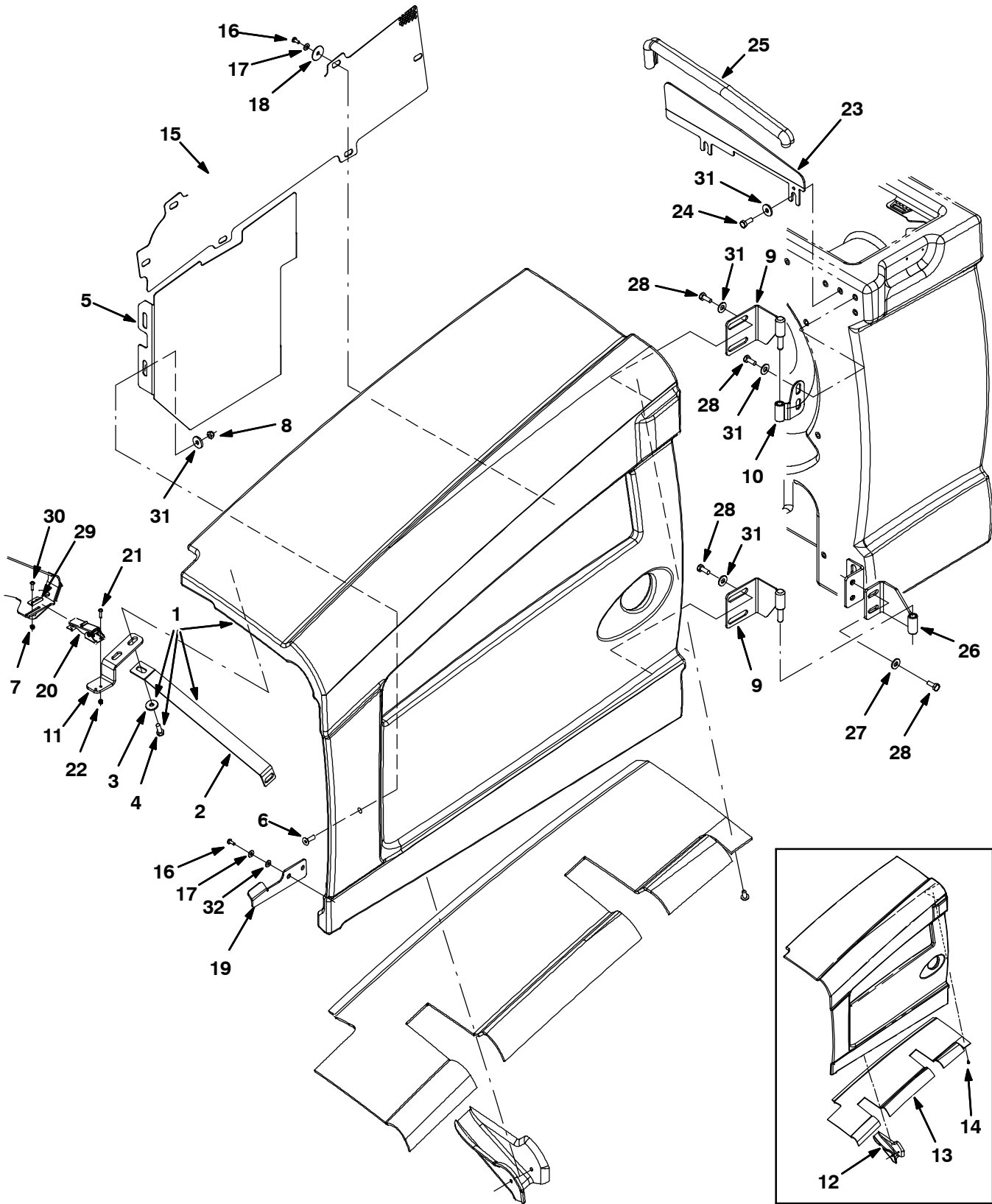


Fig. 10 - Engine Cover Group

Ref.	Part No.	Serial Number	Description	Qty.
▽	1	1033156	(000000-) Shroud Assy, Eng	1
▲	2	1026628	(000000-) Angle, Brace, Shrd	1
▲	3	1017218	(000000-) Washer, Flat, 0.32b 1.00d .12, Ss	2
▲	4	16931	(000000-) Screw, Hex, M8 X 1.25 X 20, 8.8	2
	5	1022004	(000000-) Bracket, Shield, Heat	1
	6	74077	(000000-) Screw, Flt, M8 X 1.25 X 25	4
	7	33932	(000000-) Nut, Hex, Lock, M4 X 0.7, NI, Ss	2
	8	08709	(000000-) Nut, Hex, Lock, M8 X 1.25, NI	4
	9	1024500	(000000-) Hinge Wldt, Shrd, Lh	2
	10	1025196	(000000-) Hinge Wldt, Shrd, Lh	2
	11	1020186	(000000-) Bracket, Latch, Cover	1
	12	1028516	(000000-001030) Insulation, Shrd, Eng, Gusset	1
	13	1026665	(000000-001030) Insulation, Flame-Retardant, 0.5	1
	14	21168	(000000-001030) Clip, .250h, Plstc [Pine-Tree]	14
	15	1026726	(000000-) Grill, Eng	1
	16	09200	(000000-) Screw, Pan, M5 X 0.8 X 12, Ss	8
	17	19066	(000000-) Washer, Flat, #10	8
	18	41178	(000000-) Washer, Flat, 0.25 Fendr	6
	19	1028412	(000000-) Bracket, Guide, Shrd	1
	20	384418	(000000-) Latch, Door [Southco 91-562-07]	1
	21	06927	(000000-) Screw, Pan, M4 X 0.7 X 16, 4.8	2
	22	02850	(000000-) Nut, Hex, Lock, M4 X 0.7, NI	2
	23	1025806	(000000-) Plate, Seal, Sound	1
	24	09740	(000000-) Screw, Hex, M8 X 1.25 X 20, Ss	2
	25	1030588	(000000-) Seal, Afrmkt, Bulb, 90, 0.75d F/11ga 02ft	2
	26	1024177	(000000-) Hinge Wldt, Door	1
	27	32491	(000000-) Washer, Flat, 0.31, Std	2
	28	16931	(000000-) Screw, Hex, M8 X 1.25 X 20, 8.8	7
	29	384419	(000000-) Bracket, Latch, Keeper [Southco]	1
	30	24265	(000000-) Screw, Pan, M4 X 0.7 X 16, Ss	2
	31	1017218	(000000-) Washer, Flat, 0.32b 1.00d .12, Ss	15
	32	41139	(000000-) Washer, Lock, Int-Ext, 10	2

Fig. 11 - Engine and Mount Group

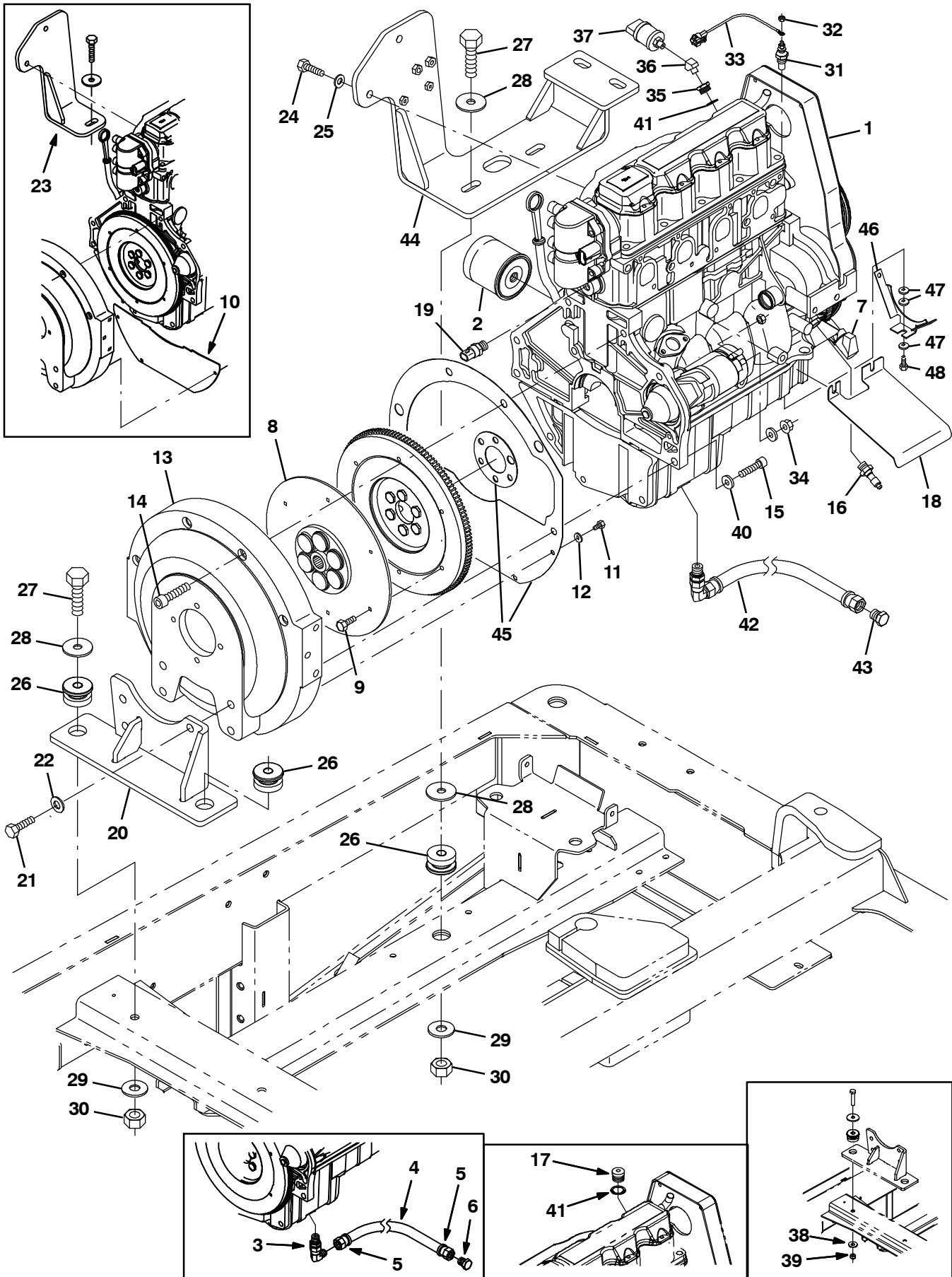


Fig. 11 - Engine and Mount Group

Ref.	Part No.	Serial Number	Description	Qty.
▽	1	372862	(000000-) Engine [Long Block Gm 1.6l] (See Engine Breakdown)	1
▲	2	371972	(000000-) Element, Fltr, Oil, Eng, Spin-On	1
	3	372541	(000000-001499) Fitting, E90, M14 X .56	1
	4	371855	(000000-001499) Hose, Hyd, 26.0l	1
	5	371876	(000000-001499) Fitting, End, Hose	2
	6	371890	(000000-001499) Fitting, Pipe, Plug	1
	7	372002	(000000-) Sensor, Position, Cshft	1
	8	371866	(000000-) Coupling, Drive, 13t	1
	9	372554	(000000-) Screw, Hex, M07-1.00 X 23.0, 8.8	6
	10	371868	(000000-002140) Cover, Hsng, Flywheel (Replaced By 9006895)	1
	11	19315	(000000-) Screw, Hex, .25-20 X 0.50, 5	4
	12	32490	(000000-) Washer, Flat, 0.25 Std	4
	13	371869	(000000-) Housing, Pump	1
	14	371870	(000000-) Screw, Soc, M12 X 1.75 X 55, 10.9	4
	15	10832	(000000-) Screw, Soc, .38-16 X 1.50, Al	2
	16	371996	(000000-002140) Switch, Indicator, Oil Press	1
	16	9008197	(002141-) Switch, Indicator, Oil Press [2010]	1
	17	371860	(000000-001499) Fitting, Pipe, Plug, Metric, M18,Soc	1
	18	372556	(000000-) Shield, Starter [1.6l]	1
	19	372953	(000000-) Sensor, Temp, Coolant	1
	20	1023288	(000000-) Bracket Wldt, Mtg, Eng, Back, Gas/Lpg	1
	21	39810	(000000-) Screw, Hex, .50-13 X 1.25, 5	4
	22	32486	(000000-) Washer, Flat, 0.50 Sae	4
	23	1011353	(000000-002092) Mount Wldt, Eng, Gas/Lpg	1
	24	39283	(000000-) Screw, Hex, M10 X 1.5 X 25, 8.8	2
	25	32485	(000000-) Washer, Flat, 0.38 Sae	2
	26	51176	(000000-) Isolator, Vib, .50d	3
	27	06972	(000000-) Screw, Hex, M12 X 1.75 X 60, 8.8	3
	28	04414	(000000-) Washer, Flat, 0.53b 1.88d .12, Stl, Pl	4
	29	32493	(000000-) Washer, Flat, 0.50 Std	3
	30	08711	(000000-) Nut, Hex, Lock, M12 X 1.75,Nl	3
	31	1042028	(000000-) Sensor, Temp, Water [Rework For 1.6GM]	1
	32	50335	(000000-) Nut, Hex, Std, M5 X 0.8, 8	1
	33	1030073	(000000-) Wire, 16ga 09.6l Brown Mp280/ #10ring	1
	34	41361	(000000-) Nut, Hex, Std, M8 X 1.25, Brs	1
	35	1031439	(001500-) Fitting, Pipe, Bshg, M18 X 1.5	1
	36	24976	(001500-) Fitting, Brs, E45, Pf02/Pm02	1
	37	1055106	(001500-) Switch, Press, 0006psi Dpdt	1
	38	32493	(000000-001035) Washer, Flat, 0.50, Std	2
	39	08711	(000000-001035) Nut, Hex, Lock, M12 X 1.75,Nl	2
	40	371877	(000000-) Washer, Flat, 0.38, Hardened	2
	41	385029	(000000-) Gasket, Plug, Relief Valve,Oil Press	1
	42	9006634	(001500-) Hose, Drain, Eng Oil	1
	43	9006635	(001500-) Fitting, Plug	1
	44	1046022	(002093-) Bracket Wldt, Mtg, Eng	1
	45	9006895	(002141-) Plate Kit, Repair	1
	46	1056566	(002124-) Plate, Guard, Belt [Gm 1.6l]	1
	47	32490	(002124-) Washer, Flat, 0.25, Std	3
	48	06943	(002124-) Screw, Hex, M6 X 1.00 X 20, 8.8	1

Fig. 12 - Engine EFI Group, Gasoline (000000-001499)

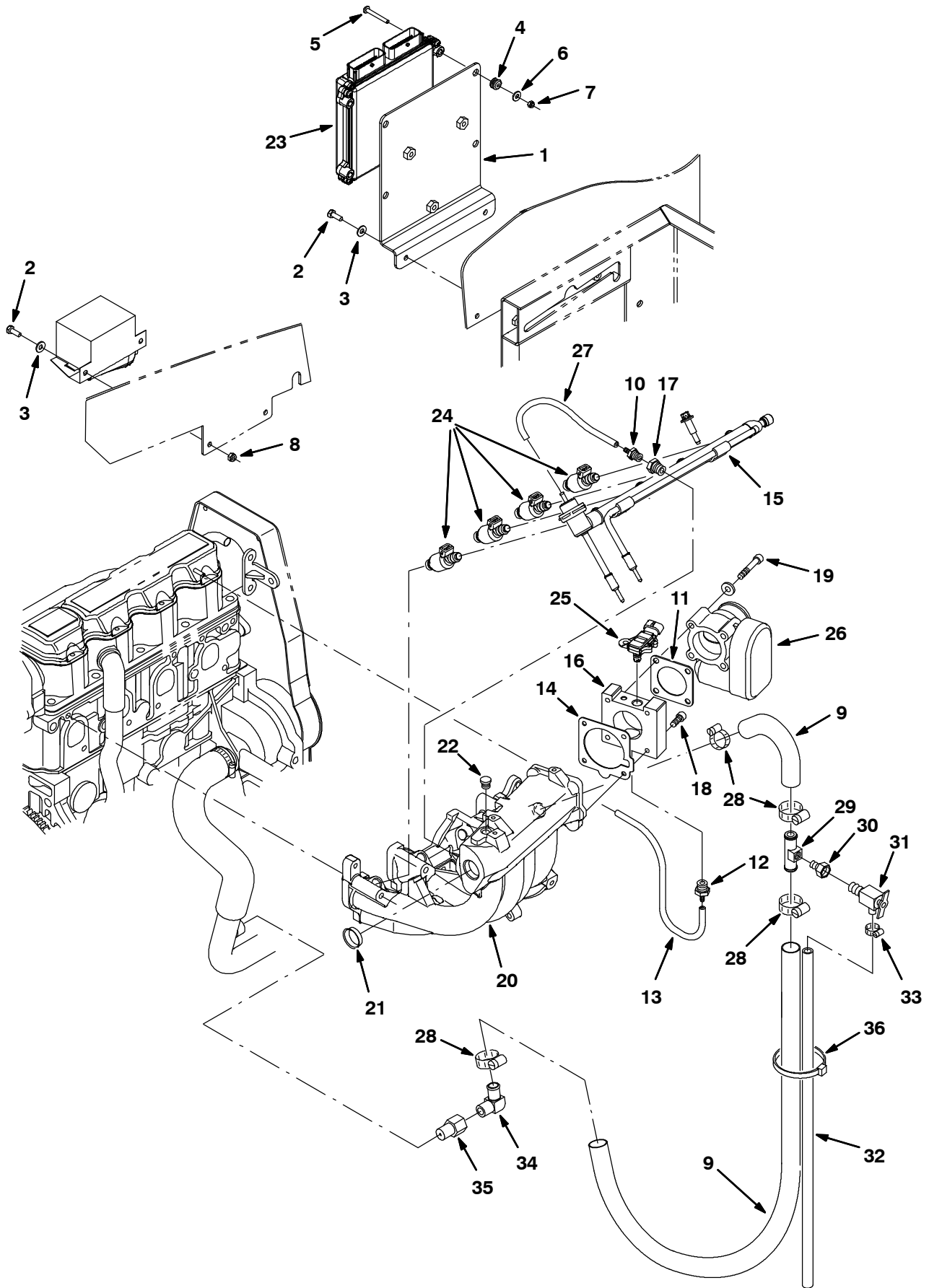


Fig. 12 - Engine EFI Group, Gasoline (000000-001499)

Ref.	Part No.	Serial Number	Description	Qty.
1	1018939	(000000-001499)	Bracket, Mtg [Ecu]	1
2	06942	(000000-001499)	Screw, Hex, M6 X 1.0 X 16, 8.8	4
3	32483	(000000-001499)	Washer, Flat, 0.25 Sae	4
4	46314	(000000-001499)	Grommet, Rbr, 0.20id, F/0.4h, .12 Matl	4
5	06938	(000000-001499)	Screw, Pan, M5 X 0.8 X 40, 4.8	4
6	01683	(000000-001499)	Washer, Flat, #10, Ss	8
7	06549	(000000-001499)	Nut, Hex, Lock, M5 X 0.8, NI	4
8	08708	(000000-001499)	Nut, Hex, Lock, M6 X 1.0, NI	2
9	1022364	(000000-001499)	Hose, Heater	1
10	372542	(000000-001499)	Fitting, Str, .19brb X .12mpt	1
11	372545	(000000-001499)	Qd36Gasket, Body, Throttle [1.6l]	1
12	372543	(000000-001499)	Fitting, Vacuum [M16-15-6h]	1
13	372489	(000000-001499)	Hose, 9.5mm X 450mm [Pcv]	1
14	372544	(000000-001499)	Gasket, Manifold, Intake	1
15	372566	(000000-001499)	Rail, Injector, Gas, W/ Press Reg	1
16	372534	(000000-001499)	Adapter, Intake, Throttle Body	1
17	372537	(000000-001499)	Bushing, M06-1.50 X .25-27npt	1
18	06532	(000000-001499)	Screw, Soc, M6 X 1.0 X 25, 12.9	4
19	07255	(000000-001499)	Screw, Soc, M6 X 1.0 X 45, 12.9	4
20	372547	(000000-001499)	Manifold, Intake [1.6l]	1
21	372549	(000000-001499)	Plug, Manifold, Intake	1
22	372550	(000000-001499)	Plug, Port, Sensor [Map]	1
23	372858	(000000-001499)	Module, Ecu, Gas [Gm 1.6l]	1
24	372563	(000000-001499)	Injector Kit, Fuel, Gas	4
25	372493	(000000-001499)	Sensor [Tmap]	1
26	372486	(000000-001499)	Injector Kit, Fuel, Gas	1
27	372546	(000000-001499)	Hose, Fuel, .19	1
28	63810	(000000-001499)	Clamp, Hose, Wormdrive, 0.56-1.06d, .56w	4
29	83578	(000000-001499)	Tube, Air Bleed, .62d 2.2l .12npt Alm	1
30	1015930	(000000-001499)	Fitting, Brs, Str, Pf04/Pm02	1
31	51305	(000000-001499)	Fitting, Draincock, E90, .25npt	1
32	73471	(000000-001499)	Hose, Pvc, Clr, 0.38id 0.56od 22.00l	1
33	43844	(000000-001499)	Clamp, Hose, Wormdrive, 0.25-0.62d, .31w	1
34	51839	(000000-001499)	Fitting, Brs, E90, Em10/Pm06	1
35	1015547	(000000-001499)	Fitting, Adapter, Orifice, Pf06/Pm06	1
36	49266	(000000-001499)	Tie, Cable, Nyl, 07.3l .19w 1.8 Max D	1

STANDARD PARTS

Fig. 13 - Engine EFI Group, Gasoline (001500-002140)

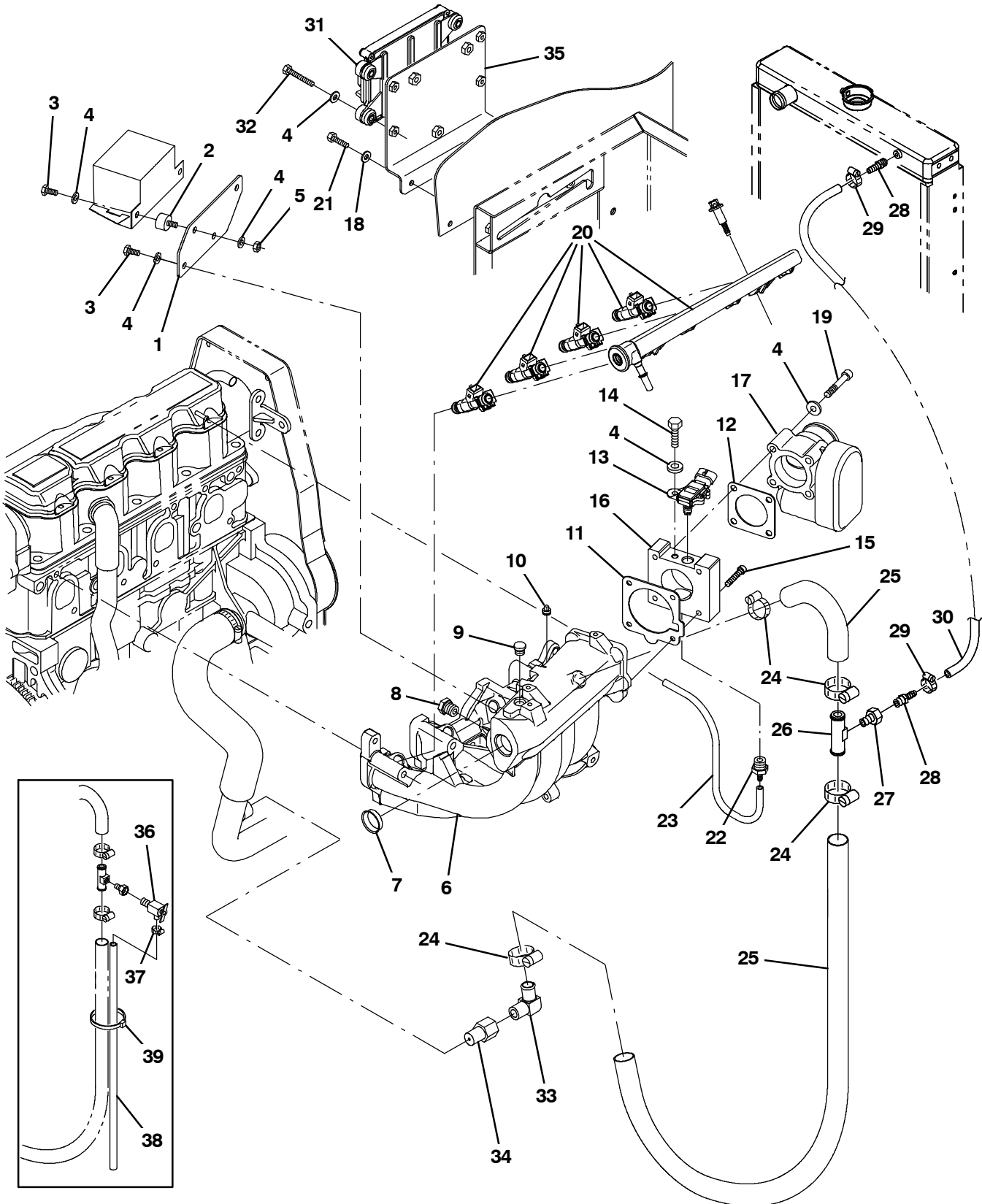


Fig. 13 - Engine EFI Group, Gasoline (001500-002140)

Ref.	Part No.	Serial Number	Description	Qty.	
1	1031312	(001500-002140)	Plate, Mtg, Relay	1	
2	372470	(001500-002140)	Isolator, Box, Relay	2	
3	19315	(001500-002140)	Screw, Hex, .25-20 X 0.50, G5	4	
4	32490	(001500-002140)	Washer, Flat, 0.25, Std	13	
5	19312	(001500-002140)	Nut, Hex, Std, .25-20	2	
6	372547	(001500-002140)	Manifold, Intake [1.6l]	1	
7	372549	(001500-002140)	Plug, Manifold, Intake	1	
8	384995	(001500-002140)	Fitting, Plug, M16, Intake Manifold	1	
9	372550	(001500-002140)	Plug, Port, Sensor [Map]	1	
10	372548	(001500-002140)	Plug, .12npt, Ss	1	
▽	9003390	(001500-002140)	Gasket Kit, Repair, Gas [Gm1.6l 2007]	1	
▲	11	372544	(001500-002140)	Gasket, Manifold, Intake	1
▲	12	372545	(001500-002140)	Gasket, Body, Throttle [1.6l]	1
13	384985	(001500-002140)	Sensor [T Map]	1	
14	19317	(001500-002140)	Screw, Hex, .25-20 X 0.75, G5	1	
15	06532	(001500-002140)	Screw, Soc, M6 X 1.00 X 25, 12.9	4	
16	372534	(001500-002140)	Adapter, Intake, Throttle Body	1	
17	384974	(001500-002140)	Housing, Throttle, 40mm [Bosch]	1	
18	32483	(001500-002140)	Washer, Flat, 0.25, Sae	2	
19	07255	(001500-002140)	Screw, Soc, M6 X 1.00 X 45, 12.9	4	
20	384992	(001500-002140)	Rail, Injector, Fuel, Plstc	1	
21	06942	(001500-002140)	Screw, Hex, M6 X 1.00 X 16, 8.8	2	
22	372543	(001500-002140)	Fitting, Vacuum [M16-15-6h]	1	
23	384972	(001500-002140)	Hose, Vacuum, 0.22id X 03.0l	1	
24	63810	(001500-002140)	Clamp, Hose, Wormdrive, 0.56-1.06d, .56w	4	
25	1022364	(001500-002140)	Hose, Heater	1	
26	83578	(001500-002140)	Tube, Bleed, Air, .62od 2.2l .12npt, Alm	1	
27	1015930	(001500-002140)	Fitting, Brs, Str, Pf04/Pm02	2	
28	150516	(001720-002140)	Fitting, Brs, Str, Bm06/Pm05	2	
29	54333	(001720-002140)	Clamp, Hose, Wormdrive, 0.31-0.88d, .31w	2	
30	1043481	(001720-002140)	Hose, Heater, 0.38ID	1	
31	1028711	(001500-002140)	Module, Ecu, Gas [Gm1.6l 2700]	1	
32	06946	(001500-002140)	Screw, Hex, M6 X 1.00 X 35, 8.8	1	
33	51839	(001500-002140)	Fitting, Brs, E90, Em10/Pm06	1	
34	1015547	(001500-002140)	Fitting, Adapter, Orifice, Pf06/Pm06	1	
35	1029082	(001500-002140)	Bracket, Mtg, Ecu [M20/T20 2007]	1	
36	51305	(001500-001719)	Fitting, Draincock, E90, .25npt	1	
37	43844	(001500-001719)	Clamp, Hose, Wormdrive, 0.25-0.62d, .31w	1	
38	73471	(001500-001719)	Hose, Pvc, Clr, 0.38id 0.56od 022.0l	1	
39	49266	(001500-001719)	Tie, Cable, Nyl, 07.3l .19w 1.8 Max D	1	

Fig. 14 - Engine EFI Group, Gasoline (002141-)

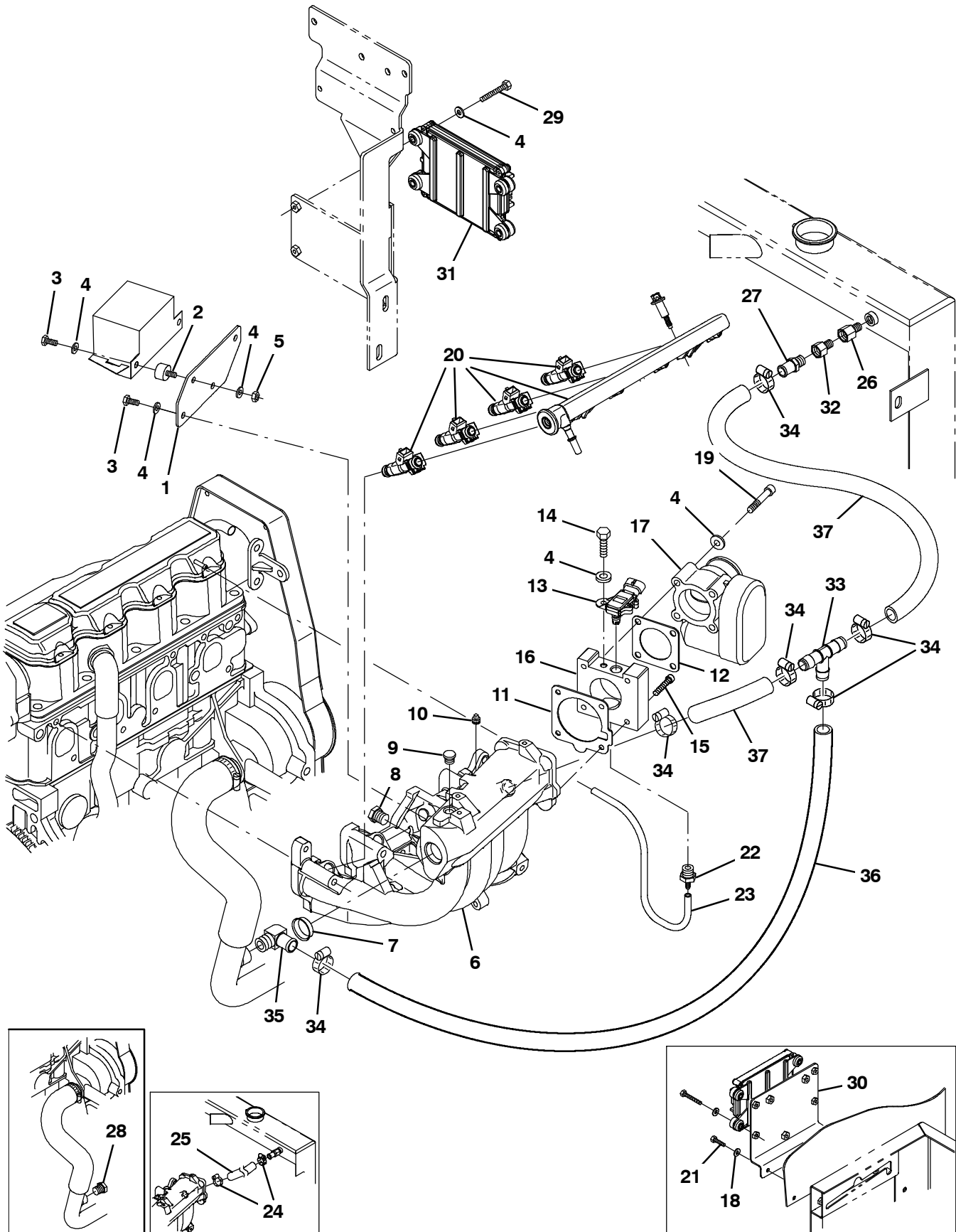


Fig. 14 - Engine EFI Group, Gasoline (002141-)

Ref.	Part No.	Serial Number	Description	Qty.	
1	1031312	(002141-) Plate, Mtg, Relay	1	
2	372470	(002141-) Isolator, Box, Relay	2	
3	19315	(002141-) Screw, Hex, .25-20 X 0.50, G5	4	
4	32490	(002141-) Washer, Flat, 0.25, Std	13	
5	19312	(002141-) Nut, Hex, Std, .25-20	2	
6	372547	(002141-) Manifold, Intake [1.6l]	1	
7	372549	(002141-) Plug, Manifold, Intake	1	
8	384995	(002141-) Fitting, Plug, M16, Intake Manifold	1	
9	372550	(002141-) Plug, Port, Sensor [Map]	1	
10	372548	(002141-) Plug, .12npt, Ss	1	
▽	9003390	(002141-) Gasket Kit, Repair, Gas [Gm1.6l 2007]	1	
▲	11	372544	(002141-) Gasket, Manifold, Intake	1
▲	12	372545	(002141-) Gasket, Body, Throttle [1.6l]	1
13	384985	(002141-) Sensor [T Map]	1	
14	19317	(002141-) Screw, Hex, .25-20 X 0.75, G5	1	
15	06532	(002141-) Screw, Soc, M6 X 1.00 X 25, 12.9	4	
16	9006619	(002141-) Adapter [E100 Mixer Gm 1.6l 2010]	1	
17	384974	(002141-) Housing, Throttle, 40mm [Bosch]	1	
18	32483	(002141-002182) Washer, Flat, 0.25, Sae	2	
19	07255	(002141-) Screw, Soc, M6 X 1.00 X 45, 12.9	4	
20	384992	(002141-) Rail, Injector, Fuel, Plstc	1	
21	06942	(002141-002182) Screw, Hex, M6 X 1.00 X 16, 8.8	2	
22	372543	(002141-) Fitting, Vacuum [M16-15-6h]	1	
23	384972	(002141-) Hose, Vacuum, 0.22id X 03.0l	1	
24	63810	(002141-002253) Clamp, Hose, Wormdrive, 0.56-1.06d, .56w	2	
25	61869	(002141-002253) Hose, Heater, 0.62id, 024.0l	1	
26	1042772	(002141-) Fitting, Brs, Str, Pf06/Pm04	1	
27	27767	(002141-) Fitting, Brs, Str, Em10/Pm06	1	
28	762282	(002141-002253) Fitting, Hyd, Plug, Pm06	1	
29	06946	(002141-) Screw, Hex, M6 X 1.00 X 35, 8.8	4	
30	1029082	(002141-002182) Bracket, Mtg, Ecu [M20/T20 2007]	1	
31	1056232	(002141-) Module, Ecu, Gas [Gm1.6l 2010]	1	
32	1015547	(002141-) Fitting, Adapter, Orifice, Pf06/Pm06	1	
33	1062116	(002254-) Fitting, Plstc, Tee, Bm10/Bm10/Bm10	1	
34	63810	(002254-) Clamp, Hose, Wormdrive, 0.56-1.06d, .56w	7	
35	51839	(002254-) Fitting, Brs, E90, Em10/Pm06	1	
36	1016560	(002254-) Hose, Afmkt, Rbr, Heater, 0.62id, 02ft	1	
37	1015897	(002254-) Hose, Radiator, Mold, .75ld X .62ld (Cut in two)	1	

Fig. 15 - Engine EFI Group, LPG (000000-001499)

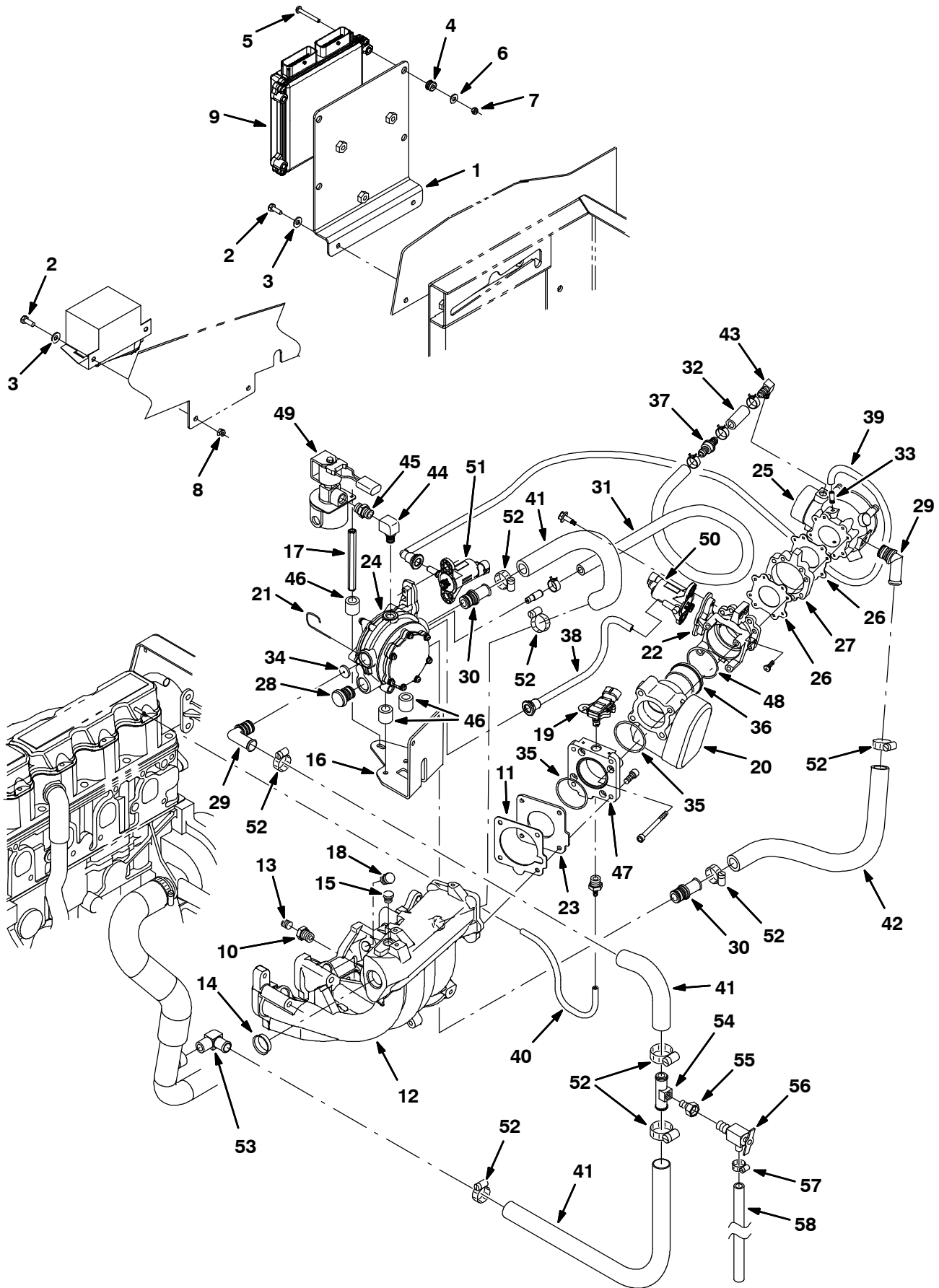


Fig. 15 - Engine EFI Group, LPG (000000-001499)

Ref.	Part No.	Serial Number	Description	Qty.	
1	1018939	(000000-001499)	Bracket, Mtg [Ecu]	1	
2	06942	(000000-001499)	Screw, Hex, M6 X 1.0 X 16, 8.8	4	
3	32483	(000000-001499)	Washer, Flat, 0.25 Sae	4	
4	46314	(000000-001499)	Grommet, Rbr, 0.20id, F/0.4h, .12 Matl	4	
5	06938	(000000-001499)	Screw, Pan, M5 X 0.8 X 40, 4.8	4	
6	01683	(000000-001499)	Washer, Flat, #10, Ss	8	
7	06549	(000000-001499)	Nut, Hex, Lock, M5 X 0.8, NI	4	
8	08708	(000000-001499)	Nut, Hex, Lock, M6 X 1.0, NI	2	
9	372857	(000000-001499)	Module, Ecu, Lpg [Gm 1.6l]	1	
10	372537	(000000-001499)	Bushing, M06-1.50 X .25-27npt	1	
11	372544	(000000-001499)	Gasket, Manifold, Intake	1	
12	372547	(000000-001499)	Manifold, Intake [1.6l]	1	
13	372548	(000000-001499)	Plug, .12npt, Ss	1	
14	372549	(000000-001499)	Plug, Manifold, Intake	1	
15	372550	(000000-001499)	Plug, Port, Sensor [Map]	1	
16	372576	(000000-001499)	Bracket, Reg [1.6l]	1	
17	372577	(000000-001499)	Spacer, Sppt, Fltr Lock Off	1	
18	372579	(000000-001499)	Plug, Hole, Injector	4	
19	372493	(000000-001499)	Sensor [Tmap]	1	
20	372482	(000000-001499)	Housing, Throttle, 40mm [Bosch]	1	
21	372523	(000000-001499)	Pin, Retainer	5	
22	372580	(000000-001499)	Adapter, Valve, Fuel Trim	1	
23	372582	(000000-001499)	Adapter, Plate	1	
24	372500	(000000-001499)	Converter, Lpg	1	
25	372898	(000000-001499)	Mixer, Lpg [Gm 1.6l]	1	
26	372608	(000000-001499)	Gasket	2	
27	372612	(000000-001499)	Adapter, Throttle Body	1	
28	372515	(000000-001499)	Fitting, Cap	1	
29	372512	(000000-001499)	Fitting, E70	2	
30	372514	(000000-001499)	Fitting, Str	2	
31	372506	(000000-001499)	Hose, Balancing, Press, 680mm	1	
32	372507	(000000-001499)	Hose, Balancing, Press, 045mm	1	
33	372511	(000000-001499)	Fitting, Hose, Vacuum, .25	1	
34	372517	(000000-001499)	Restrictor, Jet, Coolant	1	
35	372484	(000000-001499)	Seal, Org	1	
36	372498	(000000-001499)	Sleeve, Throttle, Plstc [Bosch]	1	
37	372569	(000000-001499)	Valve, Check	1	
38	372609	(000000-001499)	Hose, 170mm [Ftv-Ptv]	1	
39	372605	(000000-001499)	Hose, Valve, Press Trim, 350mm	1	
40	372607	(000000-001499)	Hose, 9.5mm X 290mm [Pcv]	1	
41	372528	(000000-001499)	Hose, Mold, .62 To .75	1	
42	372606	(000000-001499)	Hose, 355mm [Fl-Vrp]	1	
43	372510	(000000-001499)	Fitting, E90	1	
44	372611	(000000-001499)	Fitting, Str, E90, .25npt	1	
45	372610	(000000-001499)	Fitting, Nipple, .25npt, Brs	1	
46	372518	(000000-001499)	Isolator, Mtg, Vaporizer, Rbr	3	
47	372558	(000000-001499)	Adapter [1.6]	1	
48	372613	(000000-001499)	Seal, Org, Throttle Body	1	
▽	49	372503	(000000-001499)	Valve, Fuelock, Lpg, Wire Connector	1
▲		372615	(000000-001499)	Filter Kit, Fuelock, Lpg	1

Fig. 15 - Engine EFI Group, LPG (000000-001499)

Ref.	Part No.	Serial Number	Description	Qty.
50	372501	(000000-001499)	Valve, Trim, Fuel, Normal Flow	1
51	372497	(000000-001499)	Valve, Body, Throttle, Lpg	1
52	63810	(000000-001499)	Clamp, Hose, Wormdrive, 0.56-1.06d, .56w	9
53	51839	(000000-001499)	Fitting, Brs, E90, Em10/Pm06	1
54	83578	(000000-001499)	Tube, Air Bleed, .62d 2.2l .12npt Alm	1
55	1015930	(000000-001499)	Fitting, Brs, Str, Pf04/Pm02	1
56	51305	(000000-001499)	Fitting, Draincock, E90, .25npt	1
57	43844	(000000-001499)	Clamp, Hose, Wormdrive, 0.25-0.62d, .31w	1
58	73471	(000000-001499)	Hose, Pvc, Clr, 0.38id 0.56od 22.00l	1

Fig. 16 - Engine EFI Group, LPG (001500-)

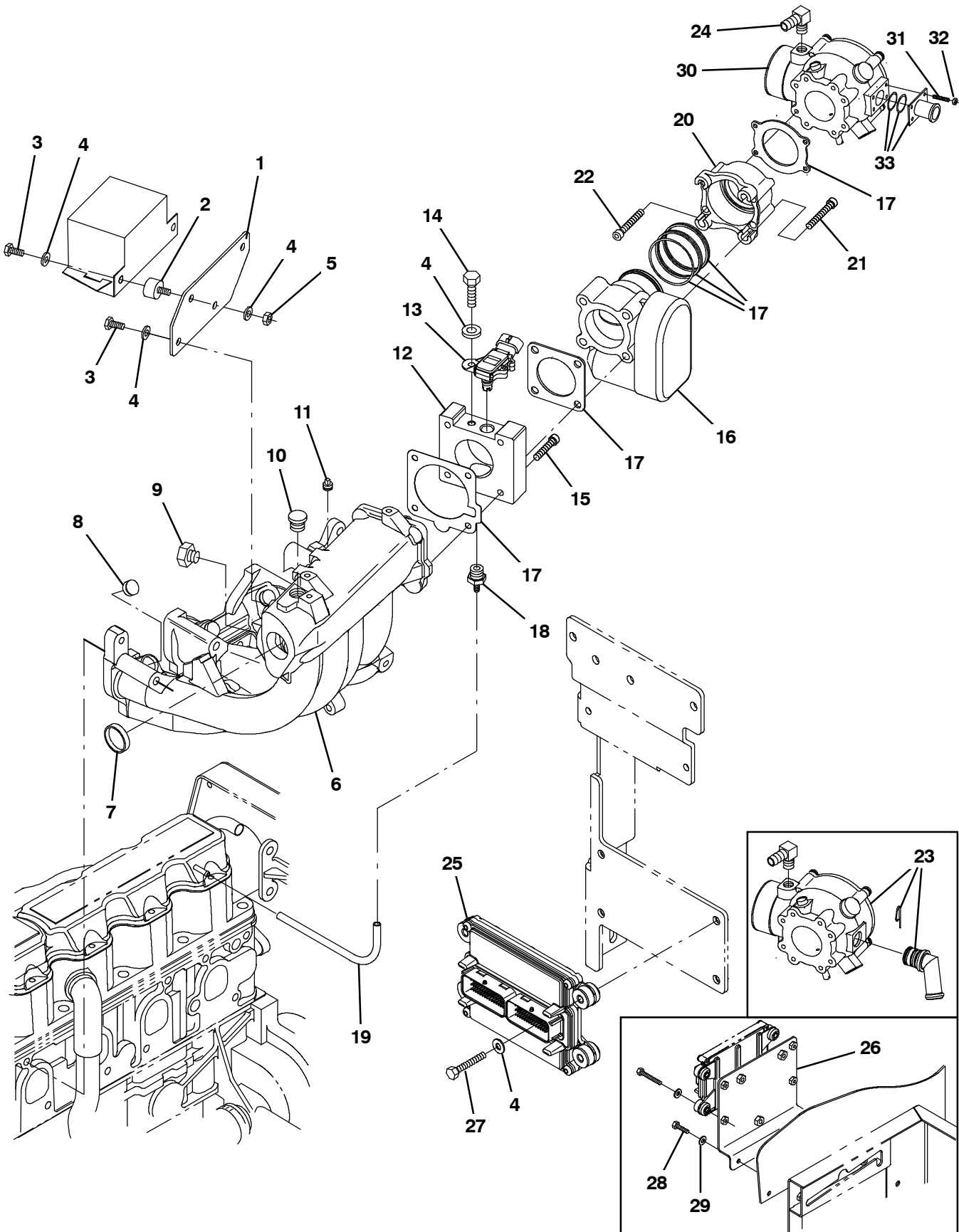


Fig. 16 - Engine EFI Group, LPG (001500-)

Ref.	Part No.	Serial Number	Description	Qty.
1	1031312	(001500-) Plate, Mtg, Relay	1
2	372470	(001500-) Isolator, Box, Relay	2
3	19315	(001500-) Screw, Hex, .25-20 X 0.50, G5	4
4	32490	(001500-) Washer, Flat, 0.25, Std	9
5	19312	(001500-) Nut, Hex, Std, .25-20	2
6	372547	(001500-) Manifold, Intake [1.6l]	1
7	372549	(001500-) Plug, Manifold, Intake	1
8	372579	(001500-) Plug, Hole, Injector	4
9	384995	(001500-) Fitting, Plug, M16, Intake Manifold	1
10	372550	(001500-) Plug, Port, Sensor [Map]	1
11	372548	(001500-) Plug, .12npt, Ss	1
12	372534	(001500-002140) Adapter, Intake, Throttle Body	1
12	9006619	(002141-) Adapter [E100 Mixer Gm 1.6l 2010]	1
13	384985	(001500-) Sensor [T Map]	1
14	19317	(001500-) Screw, Hex, .25-20 X 0.75, G5	1
15	06532	(001500-) Screw, Soc, M6 X 1.00 X 25, 12.9	4
16	384974	(001500-) Housing, Throttle, 40mm [Bosch]	1
17	9003391	(001500-) Gasket Kit, Repair, Lpg [Gm1.6l 2007]	1
18	372543	(001500-) Fitting, Vacuum [M16-15-6h]	1
19	384972	(001500-) Hose, Vacuum, 0.22id X 03.0l	1
20	384996	(001500-) Adapter, Valve, 400mm [Bosch]	1
21	09037	(001500-) Screw, Soc, M8 X 1.25 X 70, 12.9	4
22	384991	(001500-) Bolt, Soc Head, M5 X 80 X 35	4
23	384980	(001500-002140) Mixer, W/70deg Ftg	1
23	9006618	(002141-) Vaporizer [Mixer E100lp Gm1.6l 2010]	1
24	384976	(001500-) Fitting, E90	1
25	1028722	(001500-002140) Module, Ecu, Lpg [Gm1.6l 2007]	1
25	1056233	(002141-) Module, Ecu, Lpg [Gm1.6l 2010]	1
26	1029082	(001500-002182) Bracket, Mtg, Ecu	1
27	06946	(001500-) Screw, Hex, M6 X 1.00 X 35, 8.8	4
28	06942	(001500-002182) Screw, Hex, M6 X 1.00 X 16, 8.8	2
29	32483	(001500-002182) Washer, Flat, 0.25, Sae	2
30	9006618	(002141-) Mixer [E100lp Gm1.6l 2010]	1
31	9007424	(002141-) Stud, M05-0.8 [Gm1.6L Lp 2010]	4
32	9007423	(002141-) Nut, Flng, M05-0.8 [Gm1.6L Lp 2010]	4
33	1055170	(002141-) Fitting, Fuel [Mixer E100Lp 2010]	1

Fig. 17 - Engine Vaporizer Group, LPG (001500-002140)

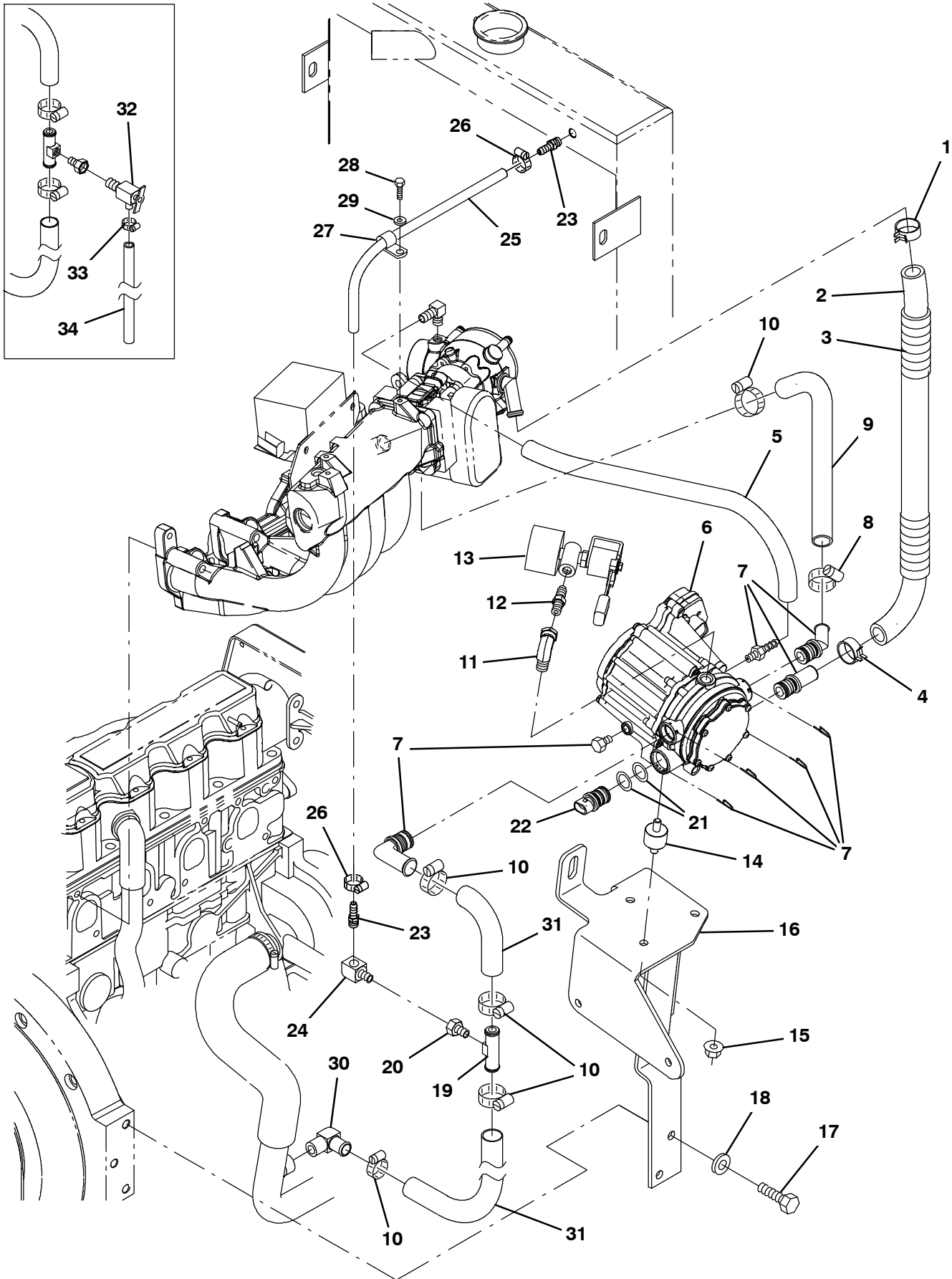


Fig. 17 - Engine Vaporizer Group, LPG (001500-002140)

Ref.	Part No.	Serial Number	Description	Qty.	
1	384970	(001500-002140)	Clamp, Hose, Spring, 0.75d	1	
2	384983	(001500-002140)	Hose [Mixer To Epr]	1	
3	384971	(001500-002140)	Cover, Hose	1	
4	384979	(001500-002140)	Clamp, Hose, Spring, 0.62d	1	
5	384973	(001500-002140)	Hose, Supply, Gas, .25id	1	
6	384977	(001500-002140)	Regulator [Ep]	1	
7	384978	(001500-002140)	Fitting Kit [Epr]	1	
8	372539	(001500-002140)	Clamp, Hose, 1.0	1	
9	384984	(001500-002140)	Hose [Epr To Manifold]	1	
10	63810	(001500-002140)	Clamp, Hose, Wormdrive, 0.56-1.06d, .56w	5	
11	11442-1	(001500-002140)	Fitting, Hyd, E90, Spcl	1	
12	372529	(001500-002140)	Fitting, Nipple, .25mal	1	
▽	13	384975	(001500-002140)	Valve, Lock Off	1
▲		372615	(001500-002140)	Filter Kit, Fuelock, Lpg	1
14	384986	(001500-002140)	Isolator [Epr]	3	
15	07791	(001500-002140)	Nut, Hex, Fing, M8 X 1.25	3	
16	1028343	(001500-002140)	Bracket Wldt, Mtg, Regulator, Lpg	1	
17	371770	(001500-002140)	Screw	2	
18	371877	(001500-002140)	Washer, Flat, 0.38, Hardened	2	
19	83578	(001500-002140)	Tube, Bleed, Air, .62od 2.2l .12npt, Alm	1	
20	1015930	(001500-002140)	Fitting, Brs, Str, Pf04/Pm02	1	
21	1041151	(001500-002140)	Seal, Org, Sensor, Temp [Epr]	2	
22	1041152	(001500-002140)	Sensor, Temp [Epr]	1	
23	150516	(001720-002140)	Fitting, Brs, Str, Bm06/Pm05	2	
24	27048	(001720-002140)	Fitting, Brs, E90, Pf04/Pm04	1	
25	1043481	(001720-002140)	Hose, Heater, 0.38id	1	
26	54333	(001720-002140)	Clamp, Hose, Wormdrive, 0.31-0.88d, .31w	2	
27	67767	(001720-002140)	Clamp, Cable, Stl, 0.69d X 0.62w, 1hole	1	
28	06942	(001720-002140)	Screw, Hex, M6 X 1.00 X 16, 8.8	1	
29	32490	(001720-002140)	Washer, Flat, 0.25, Std	1	
30	51839	(001500-002140)	Fitting, Brs, E90, Em10/Pm06	1	
31	372528	(001500-002140)	Hose, Mold, .62 To .75 (Cut in 2)	1	
32	51305	(001500-001719)	Fitting, Draincock, E90, .25npt	1	
33	43844	(001500-001719)	Clamp, Hose, Wormdrive, 0.25-0.62d, .31w	1	
34	73471	(001500-001719)	Hose, Pvc, Clr, 0.38id 0.56od 022.0l	1	

STANDARD PARTS

Fig. 18 - Engine Vaporizer Group, LPG (002141-)

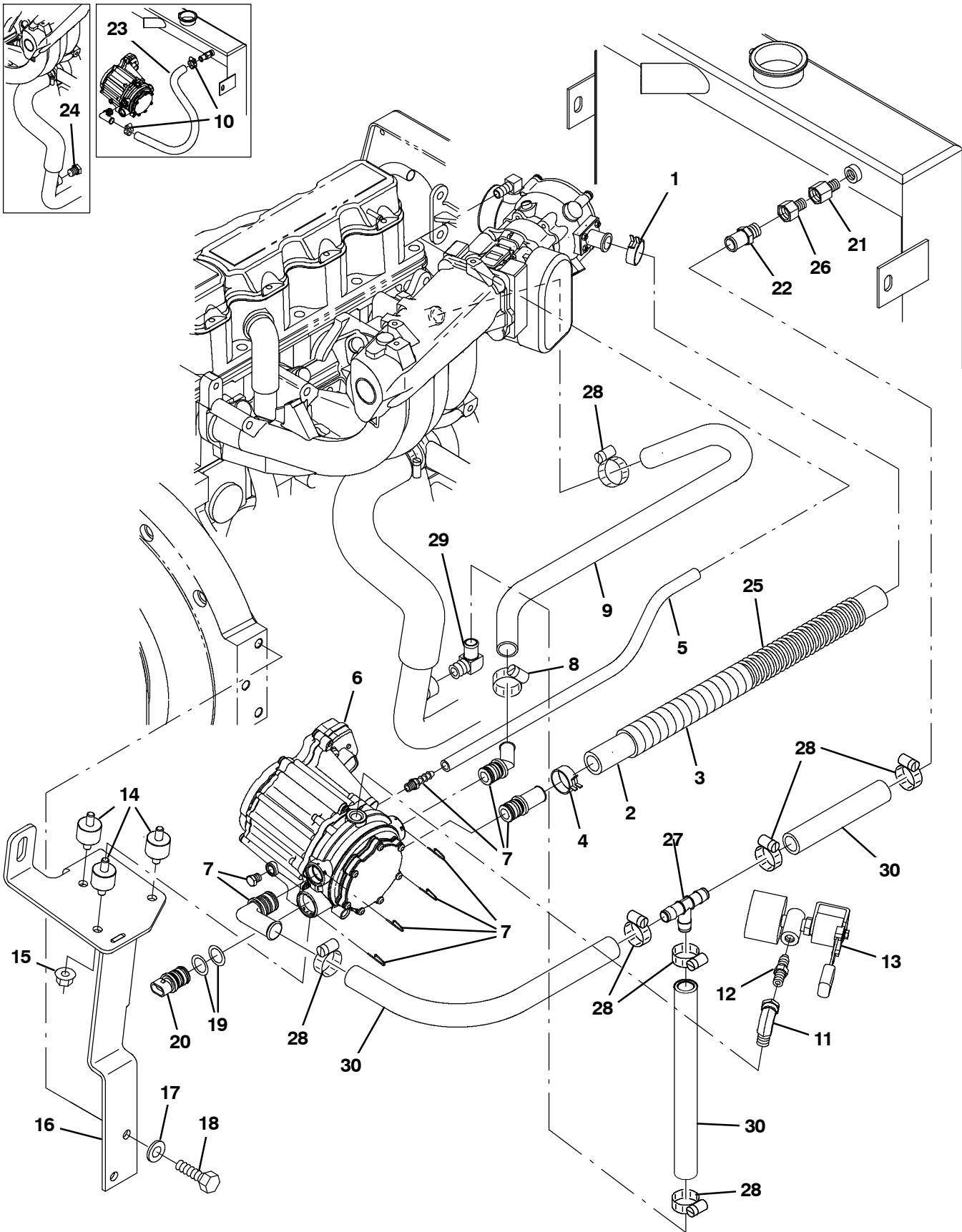


Fig. 18 - Engine Vaporizer Group, LPG (002141-)

Ref.	Part No.	Serial Number	Description	Qty.	
1	384970	(002141-)	Clamp, Hose, Spring, 0.75d	1	
2	9007552	(002141-)	Hose, Fuel [Mixer To Epr, 22.5"L]	1	
3	384971	(002141-)	Cover, Hose	1	
4	384979	(002141-)	Clamp, Hose, Spring, 0.62d	1	
5	384973	(002141-)	Hose, Supply, Gas, .25id	1	
6	384977	(002141-)	Regulator [Ep]	1	
7	384978	(002141-)	Fitting Kit [Epr]	1	
8	372539	(002141-)	Clamp, Hose, 1.0	1	
9	384984	(002141-)	Hose [Epr To Manifold]	1	
10	63810	(002141-002253)	Clamp, Hose, Wormdrive, 0.56-1.06d, .56w	3	
11	11442-1	(002141-)	Fitting, Hyd, E90, Spcl	1	
12	372529	(002141-)	Fitting, Nipple, .25mal	1	
▽	13	9006620	(002141-)	Valve, Lock Off [Gm 1.6L 2010]	1
▲	9007380	(002141-)	Filter, Fuellock, Lpg [Gm1.6L 2010]	1	
14	384986	(002141-)	Isolator [Epr]	3	
15	07791	(002141-)	Nut, Hex, Fing, M8 X 1.25	3	
16	1056300	(002141-)	Bracket Wldt, Mtg, Reg, Lpg[Gm 2010]	1	
17	371770	(002141-)	Screw	2	
18	371877	(002141-)	Washer, Flat, 0.38, Hardened	2	
19	1041151	(002141-)	Seal, Org, Sensor, Temp [Epr]	2	
20	1041152	(002141-)	Sensor, Temp [Epr]	1	
21	1042772	(002141-)	Fitting, Brs, Str, Pf06/Pm04	2	
22	27767	(002141-)	Fitting, Brs, Str, Em10/Pm06	1	
23	13048	(002141-002253)	Hose, Heater, 0.62id, 038.0l	1	
24	762282	(002141-002253)	Fitting, Hyd, Plug, Pm06	1	
25	9007553	(002141-)	Spring, 3/4 X 16 [Gm1.6L 2010 Lpg]	1	
26	1015547	(002141-)	Fitting, Adapter, Orifice, Pf06/Pm06	1	
27	1062116	(002254-)	Fitting, Plstc, Tee, Bm10/Bm10/Bm10	1	
28	63810	(002254-)	Clamp, Hose, Wormdrive, 0.56-1.06d, .56w	7	
29	51839	(002254-)	Fitting, Brs, E90, Em10/Pm06	1	
30	1016560	(002254-)	Hose, Afmkt, Rbr, Heater, 0.62id, 02ft	1	

Fig. 19 - Engine Fuel Tank Group, Gasoline (000000-001499)

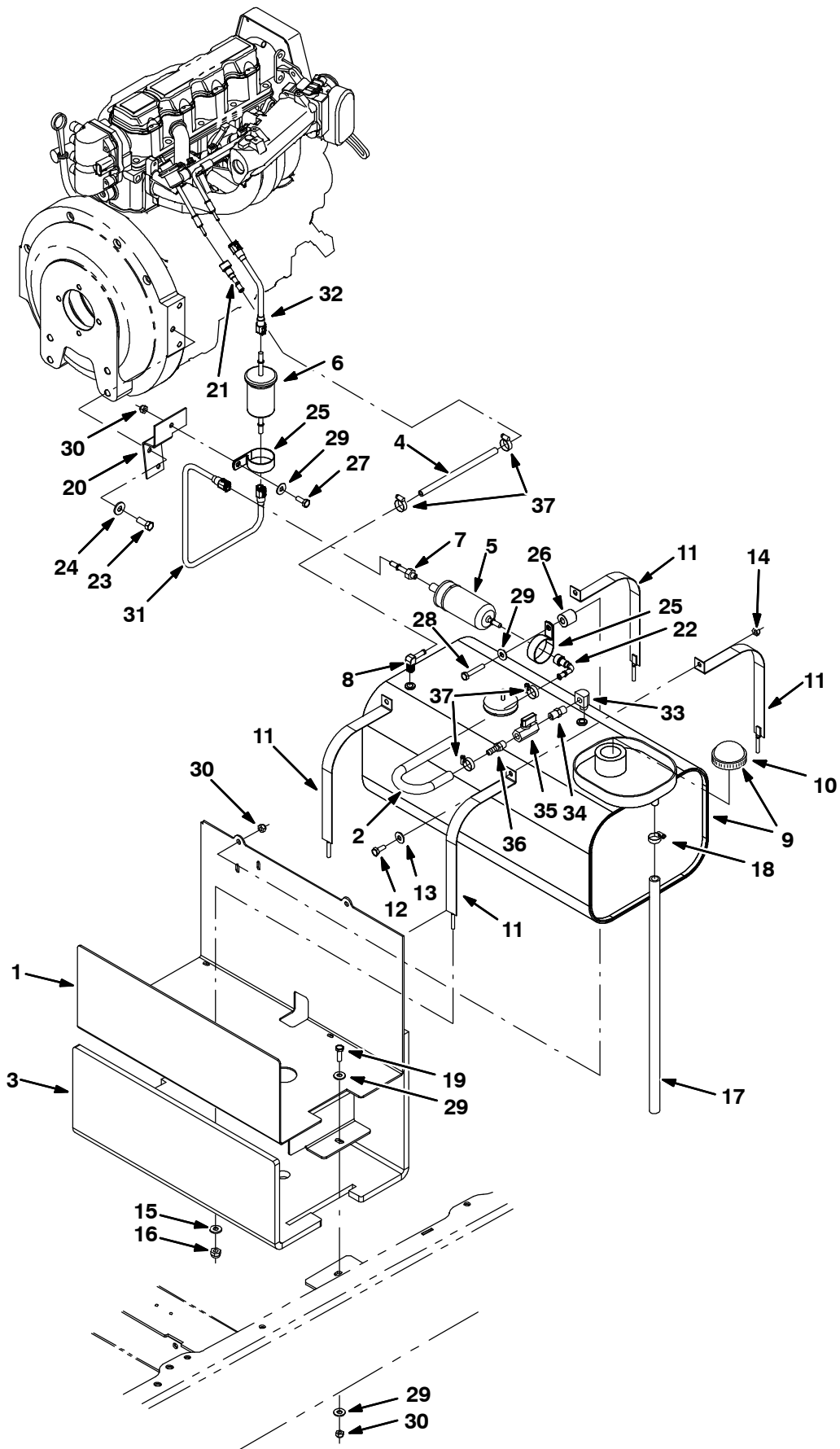


Fig. 19 - Engine Fuel Tank Group, Gasoline (000000-001499)

Ref.	Part No.	Serial Number	Description	Qty.	
1	1026550	(000000-001499)	Tray Wldt, Fuel	1	
2	87730	(000000-001499)	Hose, Fuel, 0.31id 12.0l	1	
3	1026759	(000000-001499)	Insulation, Flame-Retardant, 0.5	1	
4	1012160	(000000-001499)	Hose, Fuel, 0.31id 24.0l	1	
5	1011107	(000000-001499)	Pump, Fuel, Hi Press [Gm 1.6l/3.0l]	1	
6	372440	(000000-001499)	Filter, Fuel [Gm 1.6l/3.0l]	1	
7	1013086	(000000-001499)	Connector, Fuel, Qf	1	
8	9000355	(000000-001499)	Fitting, Brs, E90, Em05/Pm04	1	
▽	9	9002395	(000000-001499)	Tank, Fuel, 11.26Gal, gas, Replmt	1
▲	10	48267	(000000-001499)	Cap, Tank, Fuel, 2.3neck 2.6d	1
▲		1039521	(000000-001499)	Send-Unit, Fuel	1
	11	1025229	(000000-001499)	Strap, Tank, Gas	4
	12	39277	(000000-001499)	Screw, Hex, M8 X 1.25 X 25, 8.8	2
	13	32491	(000000-001499)	Washer, Flat, 0.31, Std	2
	14	08709	(000000-001499)	Nut, Hex, Lock, M8 X 1.25, NI	2
	15	32483	(000000-001499)	Washer, Flat, 0.25 Sae	4
	16	32981	(000000-001499)	Nut, Hex, Lock, .25-20, NI	4
	17	1023482	(000000-001499)	Hose, Fuel, 0.50id 21.0l	1
	18	54333	(000000-001499)	Clamp, Hose, Wormdrive, 0.31-0.88d, .31w	1
	19	39277	(000000-001499)	Screw, Hex, M8 X 1.25 X 25, 8.8	2
	20	1019416	(000000-001499)	Bracket, Mtg, Fuel	1
	21	1013086	(000000-001499)	Connector, Fuel, Qf	1
	22	1019939	(000000-001499)	Connector, Fuel, E90, Qf	1
	23	21197	(000000-001499)	Screw, Hex, .38-16 X 1.00, 5	2
	24	32492	(000000-001499)	Washer, Flat, 0.38 Std	2
	25	1011895	(000000-001499)	Clamp, Cable, Stl, 2.00d X 0.75w, 1 Hole	2
	26	383912	(000000-001499)	Sleeve, P/M, 0.43b 1.00d 1.0l, Stl	1
	27	16931	(000000-001499)	Screw, Hex, M8 X 1.25 X 20, 8.8	1
	28	06956	(000000-001499)	Screw, Hex, M8 X 1.25 X 45, 8.8	1
	29	32491	(000000-001499)	Washer, Flat, 0.31, Std	6
	30	08709	(000000-001499)	Nut, Hex, Lock, M8 X 1.25, NI	4
	31	1026664	(000000-001499)	Fuelline, .31d Str/Str, Plstc	1
	32	1019394	(000000-001499)	Fuelline, .31d Str/Str, Plstc	1
	33	27048	(000000-001499)	Fitting, Brs, E90, Pf04/Pm04	1
	34	398468	(000000-001499)	Fitting, Brs, Str, Pm04/Pm04	1
	35	1019940	(000000-001499)	Valve, Ball, 04pf, Chm W/ Handle	1
	36	392629	(000000-001499)	Fitting, Brs, Str, Bm05/Pm04	1
	37	54333	(000000-001499)	Clamp, Hose, Wormdrive, 0.31-0.88d, .31w	4

STANDARD PARTS

Fig. 20 - Engine Fuel Tank Group, Gasoline (001500-)

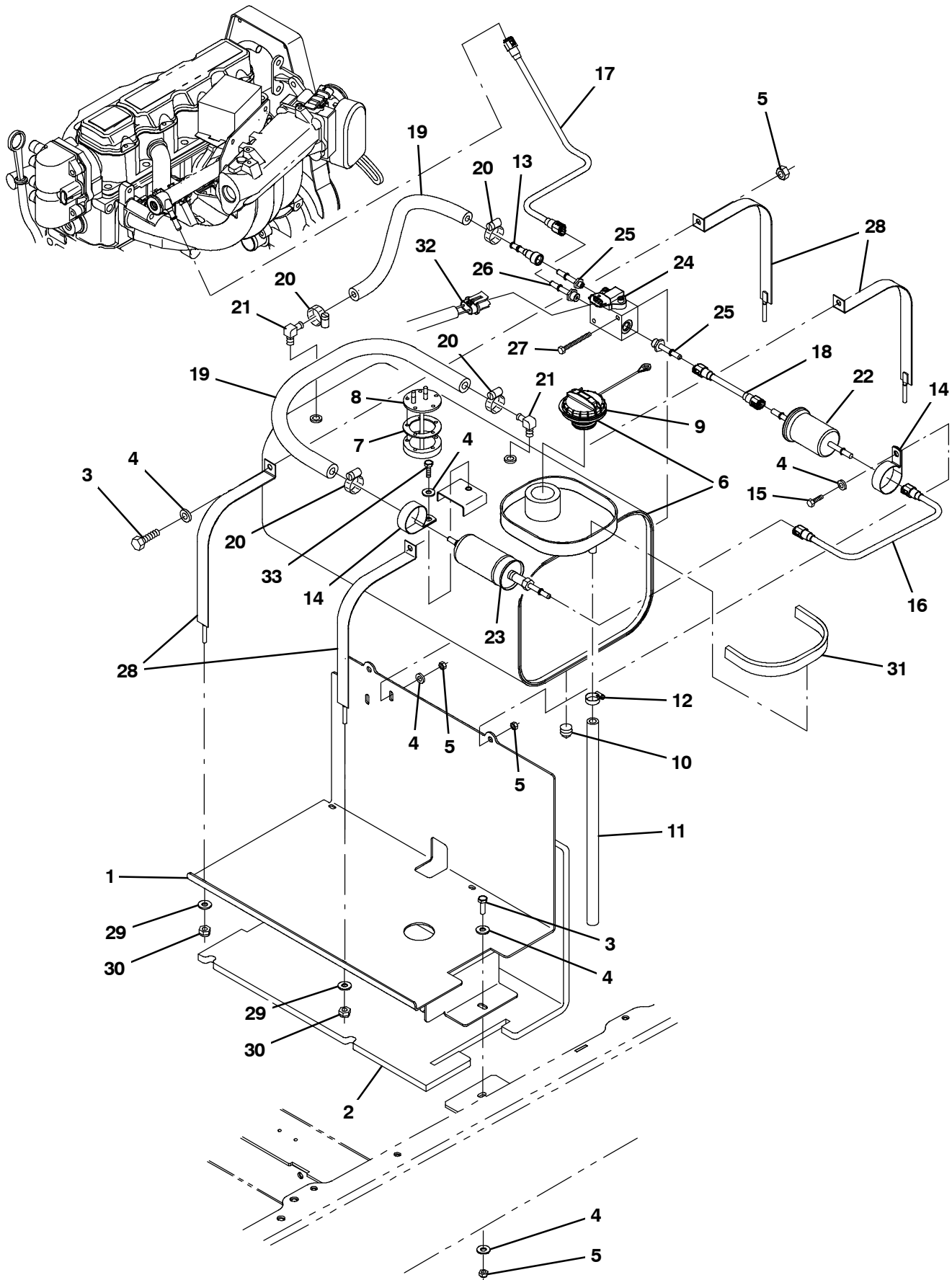


Fig. 20 - Engine Fuel Tank Group, Gasoline (001500-)

Ref.	Part No.	Serial Number	Description	Qty.	
1	1026550	(001500-) Tray Wildt, Fuel	1	
2	1026759	(001500-) Insulation, Flame-Retardant, 0.5	1	
3	39277	(001500-) Screw, Hex, M8 X 1.25 X 25, 8.8	4	
4	32491	(001500-) Washer, Flat, 0.31, Std	8	
5	08709	(001500-) Nut, Hex, Lock, M8 X 1.25, NI	5	
▽	6	9003610	(001500-) Tank, Fuel, 11.2gal, Gas, Replmt [2007]	1
▲	7	1033897	(001500-) Gasket, Sender, Fuel	1
▲	8	1033901	(001500-) Send-Unit, Fuel [2007]	1
▲	9	1032812	(001500-) Cap, Fuel, Tank	1
▲	10	48126	(001500-) Fitting, Pipe, Plug, Pm02, Sq Head	1
	11	1023482	(001500-) Hose, Fuel, 0.50id, 21.0l	1
	12	54333	(001500-) Clamp, Hose, Wormdrive, 0.31-0.88d, .31w	1
	13	1013086	(001500-) Connector, Fuel, Qf	2
	14	1011895	(001500-) Clamp, Cable, Stl, 2.00d X 0.75w, 1hole	2
	15	06956	(001500-) Screw, Hex, M8 X 1.25 X 45, 8.8	2
	16	1034676	(001500-) Fuelline, .31d Str/Str,Plstc[M20/T20 07]	1
	17	1034655	(001500-) Fuelline, .31d Str/Str,Plstc[M20/T20 07]	1
	18	1012248	(001500-) Fuelline, .31d Str/Str, Plstc	1
	19	1033746	(001500-) Hose, Fuel, 0.31id [Evap Emission 07]	2
	20	54333	(001500-) Clamp, Hose, Wormdrive, 0.31-0.88d, .31w	4
	21	9000355	(001500-) Fitting, Brs, E90, Em05/Pm04	2
	22	372440	(001500-) Filter, Fuel [Gm 1.6l/3.0l]	1
	23	1011107	(001500-) Pump, Fuel, Hi Press [Gm 1.6l/3.0l]	1
	24	1028924	(001500-) Manifold, Gas, Relief, Valve	1
	25	1029293	(001500-) Fitting, Fuel, Str, 0.56-18 [07 Eng]	2
	26	1029295	(001500-) Fitting, Fuel, Str, 0.38-24 [07 Eng]	1
	27	06949	(001500-) Screw, Hex, M6 X 1.0 X 50, 8.8	2
	28	1025229	(001500-) Strap, Tank, Gas	4
	29	32483	(001500-) Washer, Flat, 0.25, Sae	4
	30	32981	(001500-) Nut, Hex, Lock, .25-20, NI	4
	31	62595-15	(001500-) Molding, Trim, Pvc, .08-.11 13.2l	1
	32	385009	(001500-) Harness, Manifold, Gas	1
	33	16931	(001500-) Screw, Hex, M8 X 1.25 X 20, 8.8	1

Fig. 21 - Engine Fuel Tank Group, LPG

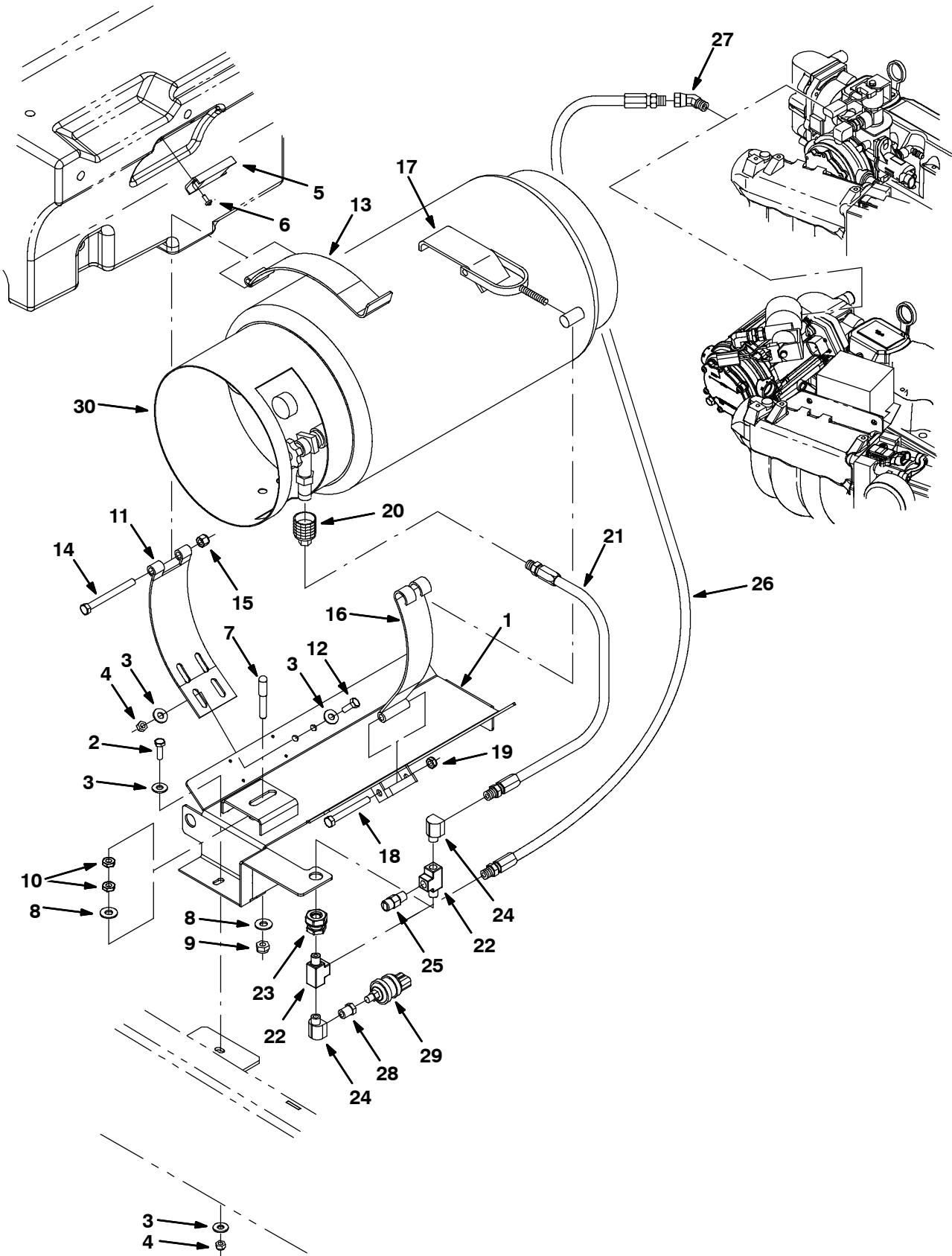


Fig. 21 - Engine Fuel Tank Group, LPG

Ref.	Part No.	Serial Number	Description	Qty.
1	1017947	(000000-) Tray Wldt, Lpg	1
2	39277	(000000-) Screw, Hex, M8 X 1.25 X 25, 8.8	2
3	32491	(000000-) Washer, Flat, 0.31, Std	8
4	08709	(000000-) Nut, Hex, Lock, M8 X 1.25, NI	4
5	63378	(000000-) Magnet, Drive Brush	1
6	09200	(000000-) Screw, Pan, M5 X 0.8 X 12, Ss	2
7	1024934	(000000-) Pin, Locating, Lpg	1
8	32492	(000000-) Washer, Flat, 0.38 Std	2
9	41430	(000000-) Nut, Hex, Lock, M10 X 1.5, NI	1
10	32716	(000000-) Nut, Hex, Jam, M10 X 1.5, Ss	2
11	58589	(000000-) Strap, Mtg, Tank, Lpg	1
12	16931	(000000-) Screw, Hex, M8 X 1.25 X 20, 8.8	2
13	57297	(000000-) Strap, Mtg, Tank, Lpg, Hinge	1
14	35710	(000000-) Screw, Hex, .38-16 X 3.75, 5	1
15	59156	(000000-) Nut, Hex, Lock, .38-16, NI, Ss	1
16	58590	(000000-) Strap, Mtg, Tank, Lpg	1
17	53400-1	(000000-) Latch Assy, Mtg, Tank, Lpg, W/Nut	1
18	35707	(000000-) Screw, Hex, .38-16 X 3.00, 5	1
19	36643	(000000-) Nut, Hex, Lock, .38-16, NI, Thin	1
20	26496	(000000-) Fitting, Brs, Qdc, Pf04, Lpg Fem	1
21	22308-6	(000000-) Hose, Lpg, Med05, Pm04str/Sm04str, 14.0l	1
24929	56976A	(000000-) Fitting, BRS Tee, Pf04/Pf04/Pm04, Run	2
23	78122	(000000-) Fitting, Brs, Str, Pf04/Pf04, Bh	1
24	27048	(000000-) Fitting, Brs, E90, Pf04/Pm04	2
25	24047	(000000-) Valve, Lpg, Press Relief [Rego]	1
26	19760	(000000-) Hose, Lpg, Med05, Pm04str/Sm04str, 55.0l	1
27	392645	(000000-) Fitting, Pipe, E45, Spcl	1
28	17414	(000000-) Fitting, Hyd, Str, Pf02/Pm04	1
29	23156	(000000-) Switch, Press, 12vdc 08a Spst Nc 0070psi	1
30	24928-1	(000000-) Tank, Lpg, 33lb, W/ Gauge [Empty, Liq]	1

Fig. 22 - Engine Air Cleaner Group, Gasoline (000000-001499)

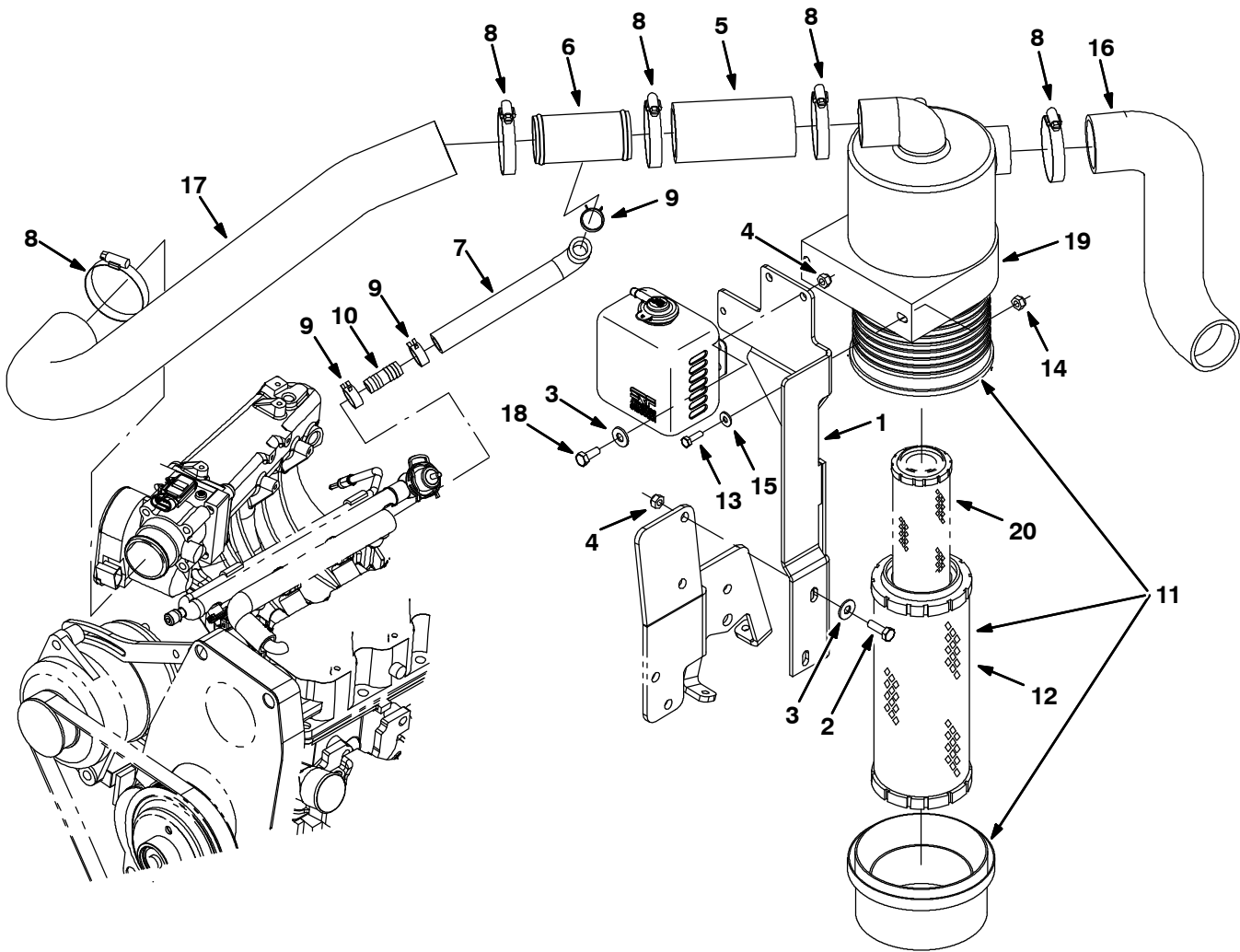


Fig. 22 - Engine Air Cleaner Group, Gasoline (000000-001499)

Ref.	Part No.	Serial Number	Description	Qty.	
1	1027856	(000000-001499)	Bracket, Mtg, Fltr, Air	1	
2	39277	(000000-001499)	Screw, Hex, M8 X 1.25 X 25, 8.8	2	
3	32491	(000000-001499)	Washer, Flat, 0.31, Std	4	
4	08709	(000000-001499)	Nut, Hex, Lock, M8 X 1.25, NI	4	
5	15543-2	(000000-001499)	Hose, Rbr, 2.00id 2.50od 05.0l	1	
6	1011780	(000000-001499)	Tube Wldt, Tee	1	
7	1021514	(000000-001499)	Hose, Heater, E90, 0.62id 07.0 2.0	1	
8	14432	(000000-001499)	Clamp, Hose, Wormdrive, 1.81-2.75d, .50w	5	
9	1011899	(000000-001499)	Clamp, Hose, Spring Stl, 0.86d X 0.38w	3	
10	365164	(000000-001499)	Fitting, Plstc, Str, Bm10/Bm10	1	
▽	11	369745	(000000-001499)	Filter Assy, Air	1
▲	12	369746	(000000-001499)	Element, Fltr, Air [Dn]	1
	13	06943	(000000-001499)	Screw, Hex, M6 X 1.0 X 20, 8.8	2
	14	08708	(000000-001499)	Nut, Hex, Lock, M6 X 1.0, NI	2
	15	32483	(000000-001499)	Washer, Flat, 0.25 Sae	2
	16	1020949	(000000-001499)	Hose, Intake, Mold, 2.00id [Epdm]	1
	17	1017978	(000000-001499)	Hose, Intake, Mold, 2.00id, Gas [Epdm]	1
	18	16931	(000000-001499)	Screw, Hex, M8 X 1.25 X 20, 8.8	2
	19	369747	(000000-001499)	Clamp, Mtg, Fltr, Air	1
	20	398279	(000000-001499)	Element, Fltr, Air, Safety (Option)	1

Fig. 23 - Engine Air Cleaner Group, Gasoline (001500-)

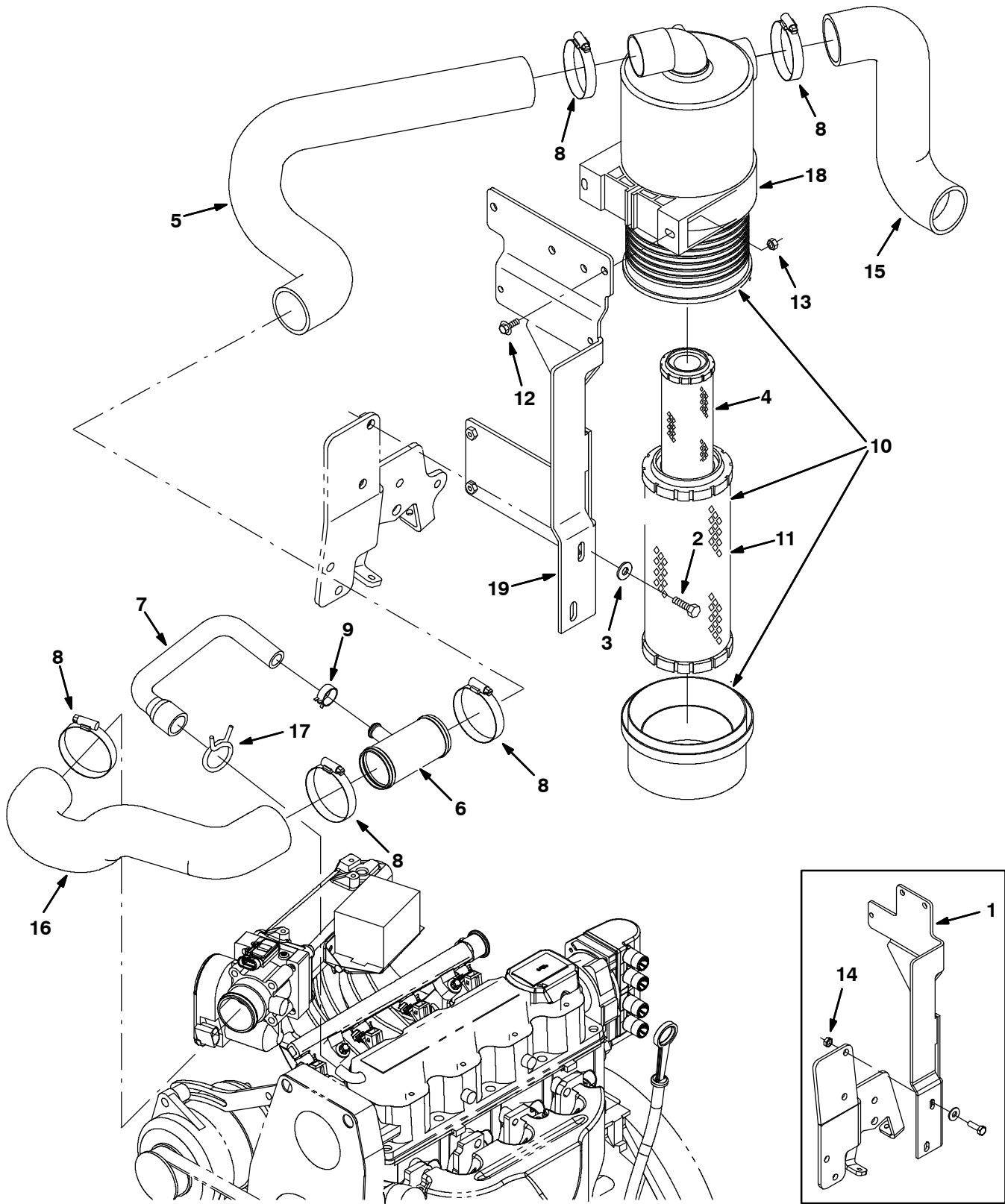


Fig. 23 - Engine Air Cleaner Group, Gasoline (001500-)

Ref.	Part No.	Serial Number	Description	Qty.	
1	1027856	(001500-002140)	Bracket, Mtg, Fltr, Air	1	
2	39277	(001500-)	Screw, Hex, M8 X 1.25 X 25, 8.8	2	
3	32491	(001500-)	Washer, Flat, 0.31, Std	2	
4	398279	(001500-)	Element, Fltr, Air, Safety (Option)	1	
5	1031614	(001500-)	Hose, Intake, Mold, 2.0id [Epdm M20/T20]	1	
6	1011780	(001500-)	Tube Wldt, Tee	1	
7	1032323	(001500-)	Hose, Vent, E90, 0.62id[Gm1.6l 2007]	1	
8	14432	(001500-)	Clamp, Hose, Wormdrive, 1.81-2.75d, .50w	5	
9	1011899	(001500-)	Clamp, Hose, Spring Stl, 0.86d X 0.38w	1	
▽	10	369745	(001500-)	Filter Assy, Air	1
▲	11	369746	(001500-)	Element, Fltr, Air [Dn]	1
	12	1036892	(001500-)	Screw, Hex, M6 X 1.00 X 25, 9.8 Sems	2
	13	08708	(001500-)	Nut, Hex, Lock, M6 X 1.00, NI	2
	14	08709	(001500-xxxxxx)	Nut, Hex, Lock, M8 X 1.25, NI	2
	15	1020949	(001500-)	Hose, Intake, Mold, 2.00id [Epdm]	1
	16	1031609	(001500-)	Hose, Intake, Mold, 2.0id, Gas	1
	17	371854	(001500-)	Clamp, Spring, 1.50	1
	18	369747	(001500-)	Clamp, Mtg, Fltr, Air	1
	19	1056355	(002141-)	Bracket, Mtg, Fltr, Air	1

Fig. 24 - Engine Air Cleaner Group, LPG (00000-001499)

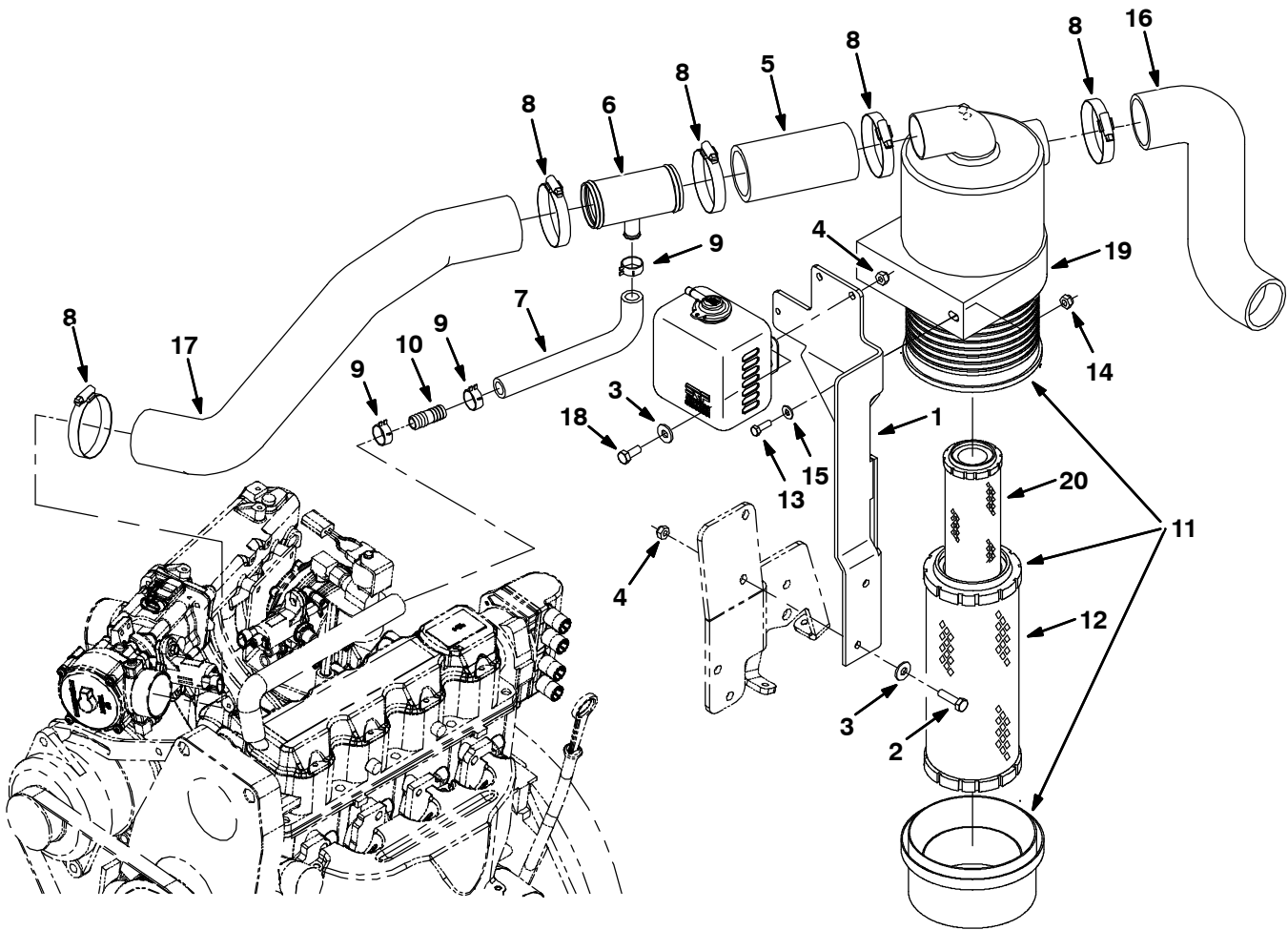


Fig. 24 - Engine Air Cleaner Group, LPG (000000-001499)

Ref.	Part No.	Serial Number	Description	Qty.	
1	1027856	(000000-001499)	Bracket, Mtg, Fltr, Air	1	
2	39277	(000000-001499)	Screw, Hex, M8 X 1.25 X 25, 8.8	2	
3	32491	(000000-001499)	Washer, Flat, 0.31, Std	4	
4	08709	(000000-001499)	Nut, Hex, Lock, M8 X 1.25, NI	4	
5	15543-2	(000000-001499)	Hose, Rbr, 2.00id 2.50od 05.0l	1	
6	1011780	(000000-001499)	Tube Wldt, Tee	1	
7	1021514	(000000-001499)	Hose, Heater, E90, 0.62id 07.0 2.0	1	
8	14432	(000000-001499)	Clamp, Hose, Wormdrive, 1.81-2.75d, .50w	5	
9	1011899	(000000-001499)	Clamp, Hose, Spring Stl, 0.86d X 0.38w	3	
10	365164	(000000-001499)	Fitting, Plstc, Str, Bm10/Bm10	1	
▽	11	369745	(000000-001499)	Filter Assy, Air	1
▲	12	369746	(000000-001499)	Element, Fltr, Air [Dn]	1
	13	06943	(000000-001499)	Screw, Hex, M6 X 1.0 X 20, 8.8	2
	14	08708	(000000-001499)	Nut, Hex, Lock, M6 X 1.0, NI	2
	15	32483	(000000-001499)	Washer, Flat, 0.25 Sae	2
	16	1020949	(000000-001499)	Hose, Intake, Mold, 2.00id [Epdm]	1
	17	1017987	(000000-001499)	Hose, Intake, Mold, 2.00id, Lpg [Epdm]	1
	18	16931	(000000-001499)	Screw, Hex, M8 X 1.25 X 20, 8.8	2
	19	369747	(000000-001499)	Clamp, Mtg, Fltr, Air	1
	20	398279	(000000-001499)	Element, Fltr, Air, Safety (Option)	1

Fig. 25 - Engine Air Cleaner Group, LPG (001500-)

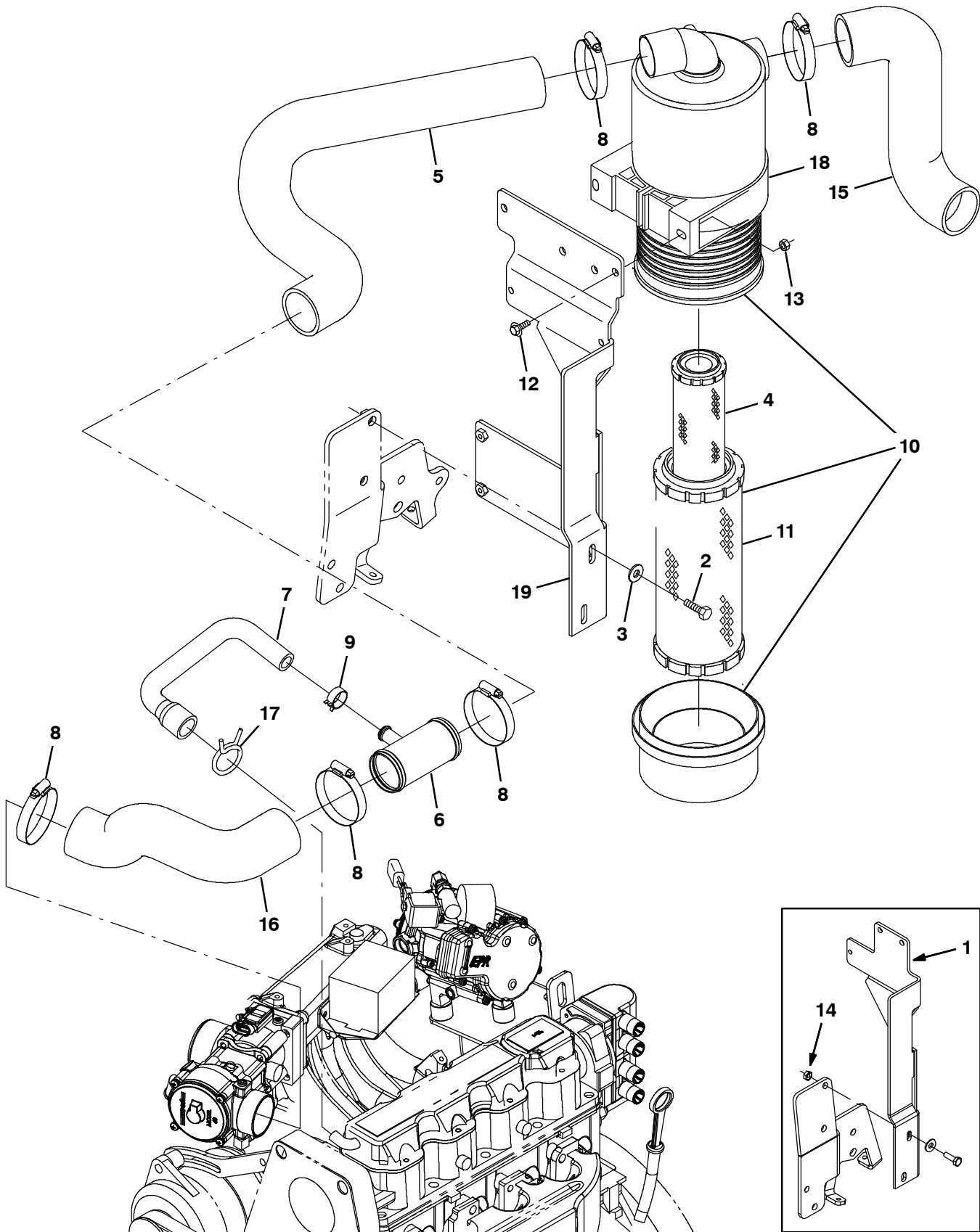


Fig. 25 - Engine Air Cleaner Group, LPG (001500-)

Ref.	Part No.	Serial Number	Description	Qty.	
1	1027856	(001500-002140)	Bracket, Mtg, Fltr, Air	1	
2	39277	(001500-)	Screw, Hex, M8 X 1.25 X 25, 8.8	2	
3	32491	(001500-)	Washer, Flat, 0.31, Std	2	
4	398279	(001500-)	Element, Fltr, Air, Safety (Option)	1	
5	1031614	(001500-)	Hose, Intake, Mold, 2.0id [Epdm M20/T20]	1	
6	1011780	(001500-)	Tube Wldt, Tee	1	
7	1032323	(001500-)	Hose, Vent, E90, 0.62id[Gm1.6l 2007]	1	
8	14432	(001500-)	Clamp, Hose, Wormdrive, 1.81-2.75d, .50w	5	
9	1011899	(001500-)	Clamp, Hose, Spring Stl, 0.86d X 0.38w	1	
▽	10	369745	(001500-)	Filter Assy, Air	1
▲	11	369746	(001500-)	Element, Fltr, Air [Dn]	1
	12	1036892	(001500-)	Screw, Hex, M6 X 1.00 X 25, 9.8 Sems	2
	13	08708	(001500-)	Nut, Hex, Lock, M6 X 1.00, NI	2
	14	08709	(001500-xxxxxx)	Nut, Hex, Lock, M8 X 1.25, NI	2
	15	1020949	(001500-)	Hose, Intake, Mold, 2.00id [Epdm]	1
	16	1031553	(001500-002140)	Hose, Intake, Mold, 2.0id, Lpg	1
	16	1054558	(002141-)	Hose, Intake, Mold, 2.0id, Lpg [Gm 2010]	1
	17	371854	(001500-)	Clamp, Spring, 1.50	1
	18	369747	(001500-)	Clamp, Mtg, Fltr, Air	1
	19	1056355	(002141-)	Bracket, Mtg, Fltr, Air	1

Fig. 26 - Engine Alternator and Fan Group

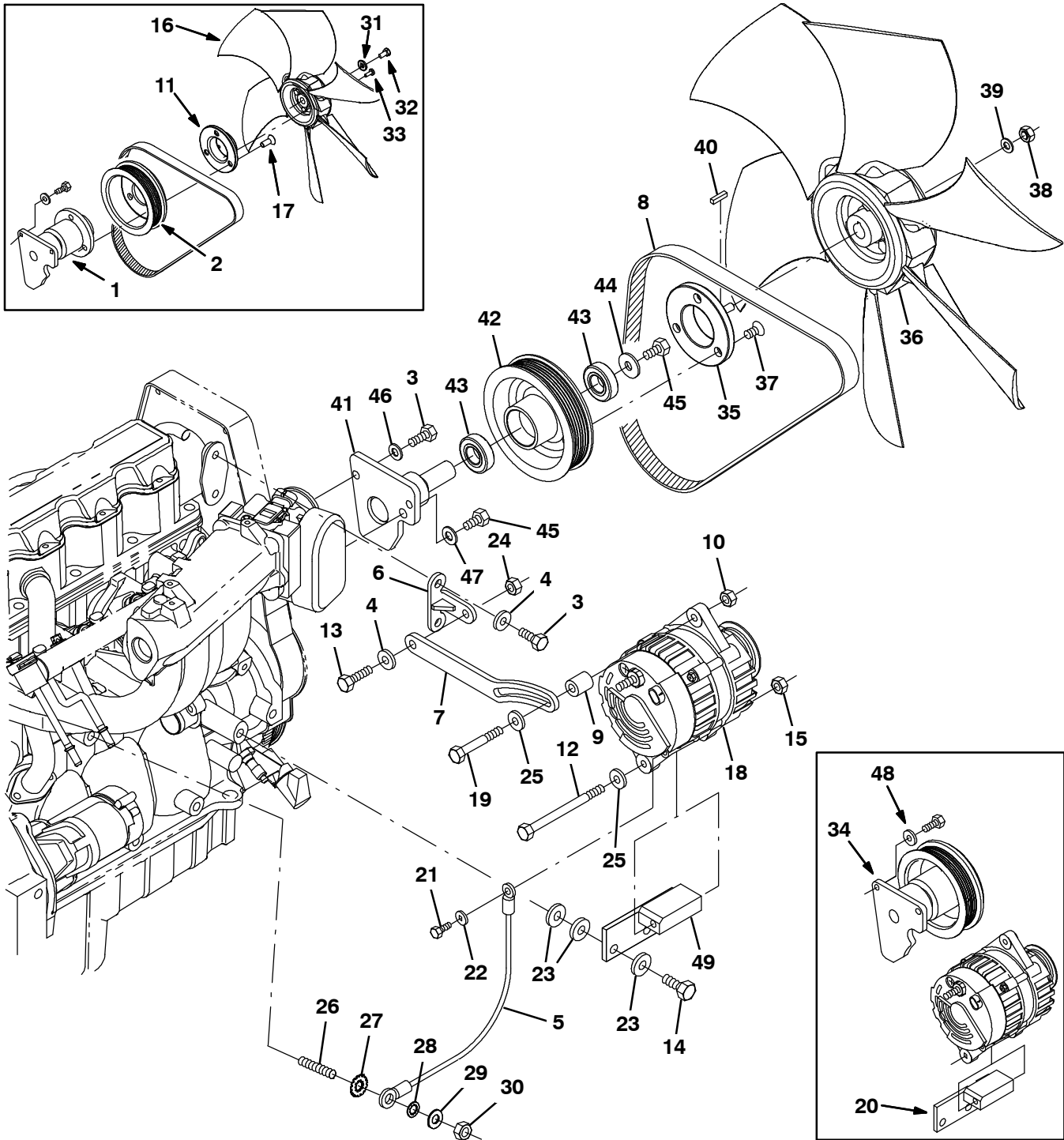


Fig. 26 - Engine Alternator and Fan Group

Ref.	Part No.	Serial Number	Description	Qty.
1	371863	(000000-001499)	Base Assy, Fan, W/O Pulley	1
2	1033428	(000000-001499)	Sheave, 5.00dia [Gm1.6l 2007]	1
3	16931	(000000-)	Screw, Hex, M8 X 1.25 X 20, 8.8	4
4	371865	(000000-)	Washer, Flat, 0.31, Hardened	5
5	371527	(000000-)	Wire, Ground	1
6	371871	(000000-)	Bracket, Anchor, Strap, Alternator	1
7	371872	(000000-)	Strap, Adj, Alternator	1
8	1033644	(000000-)	Belt, Ribbed, 38.5l	1
9	372557	(000000-)	Spacer, Strap, Adj, Alternator	1
10	39311	(000000-)	Nut, Hex, Std, M8 X 1.25	1
11	1032242	(000000-001499)	Spacer, Fan	1
12	39785	(000000-)	Screw, Hex, .31-18 X 4.50, 5	1
13	76958	(000000-)	Screw, Hex, .31-18 X 1.75, 5	1
14	06961	(000000-)	Screw, Hex, M10 X 1.5 X 20, 8.8	2
15	32983	(000000-)	Nut, Hex, Lock, .31-18, NI	1
16	1035031	(000000-001499)	Fan, Cooling, Pusher, 15.5D [2007]	1
17	48998	(000000-001499)	Screw, Flt, .38-16 X 1.00, Al	3
18	393209	(000000-)	Alternator, 12vdc 075a [Multi Grv]	1
19	363976	(000000-)	Screw, Hex, M8 X 1.25 X 60, 8.8, FI	1
20	9006917	(000000-002140)	Bracket Kit, Alternator, Repair	1
21	42011	(000000-)	Screw, Hex, #10-24 X 0.50, Ss	1
22	19066	(000000-)	Washer, Flat, #10	1
23	32485	(000000-)	Washer, Flat, 0.38 Sae	4
24	19313	(000000-)	Nut, Hex, Std, .31-18	1
25	39349	(000000-)	Washer, Flat, 0.31 Sae	2
26	384442	(000000-)	Stud, M10 X 1.50 [35]	1
27	32988	(000000-)	Washer, Lock, Int, 0.38	1
28	41142	(000000-)	Washer, Lock, Int-Ext, 0.38	1
29	32485	(000000-)	Washer, Flat, 0.38 Sae	1
30	32716	(000000-)	Nut, Hex, Jam, M10 X 1.5, Ss	1
31	41186	(000000-001499)	Washer, Flat, Belleville, .31	1
32	16735	(000000-001499)	Screw, Hex, M8 X 1.25 X 16, 8.8	1
33	09145	(000000-001499)	Screw, Pan, M6 X 1.00 X 16, 4.8	3
34	9007088	(001500-002140)	Sheave Assy Kit, Repair	1
35	1035530	(001500-)	Spacer, Fan, Taper [2007]	1
36	1035771	(001500-)	Fan, Cooling, 15.5d, 6 Blade, .5b Taper	1
37	48996	(001500-)	Screw, Flt, .38-16 X 0.75, Al	3
38	08709	(001500-)	Nut, Hex, Lock, M8 X 1.25, NI	1
39	32491	(001500-)	Washer, Flat, 0.31, Std	1
40	00960	(001500-)	Key, Sq, 0.12 X 0.12, 0.50l	1
41	1055381	(002141-)	Plate Wldt, Fan, Hub [Gm 1.6l]	1
42	1055425	(002141-)	Sheave, Mach [Gm1.6l]	1
43	1055377	(002141-)	Bearing, Ball, 20mm B 42mm D 12mm W	2
44	1014563	(002141-)	Washer, Flat, 0.40b 1.12d .12, Ss	1
45	21195	(002141-)	Screw, Hex, .38-16 X 0.75, G5	2
46	39349	(002141-)	Washer, Flat, 0.31, Sae	2
47	32485	(002141-)	Washer, Flat, 0.38, Sae	1
48	371865	(000000-002140)	Washer, Flat, 0.31, Hardened	2
49	1008640	(002141-)	Bracket Wldt, Alternator, Lower [Gm1.6l]	1

Fig. 27 - Engine Muffler Group (00000-001499)

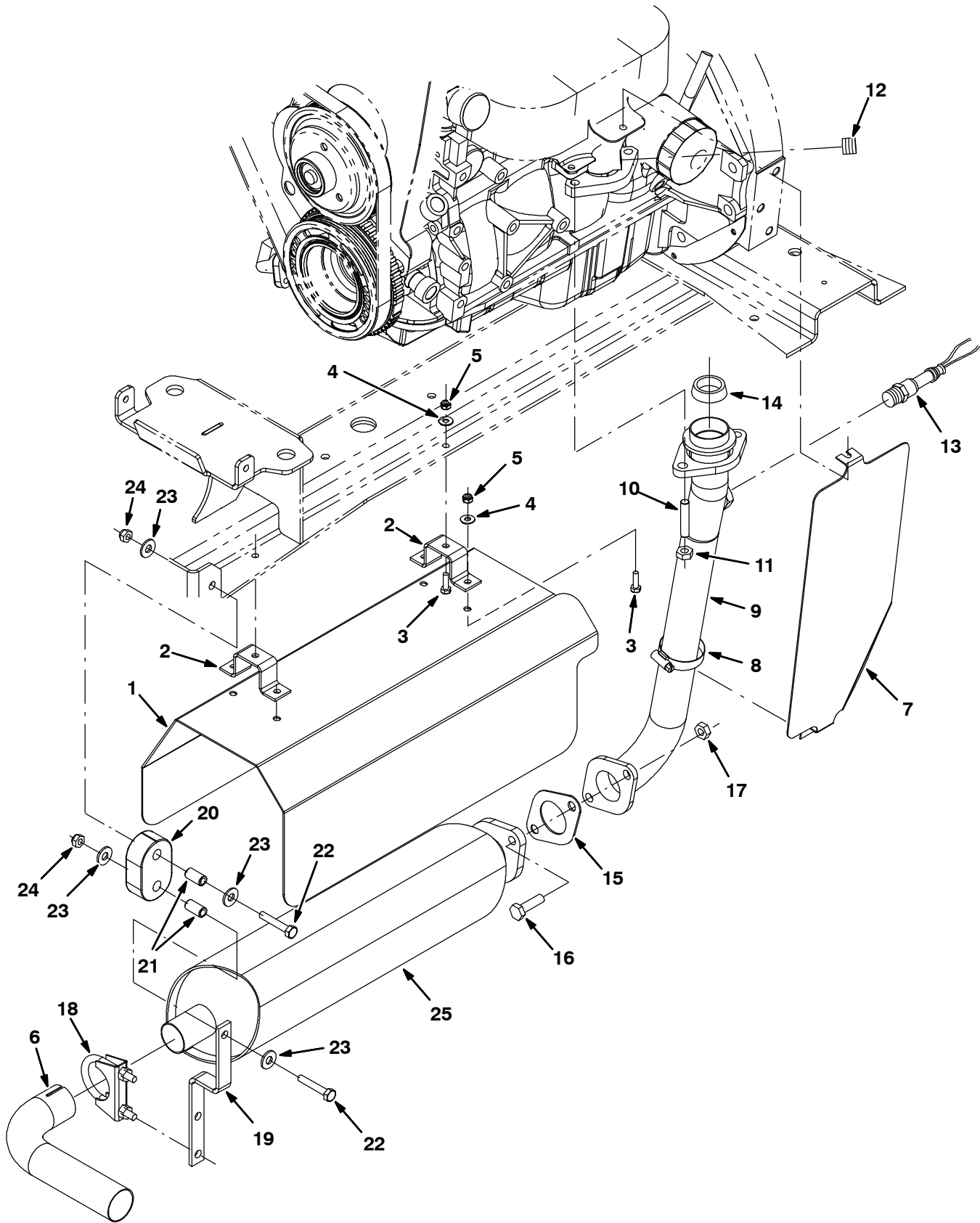


Fig. 27 - Engine Muffler Group (000000-001499)

Ref.	Part No.	Serial Number	Description	Qty.
1	1020602	(000000-001499)	Channel, Shield, Muffler	1
2	1022113	(000000-001499)	Bracket, Retainer, Shield, Heat	2
3	08716	(000000-001499)	Screw, Hex, M6 X 1.0 X 20, Ss	6
4	32483	(000000-001499)	Washer, Flat, 0.25 Sae	6
5	08712	(000000-001499)	Nut, Hex, Lock, M6 X 1.0, Ss, NI	6
6	1021789	(000000-001499)	Tube, Exhaust, 1.5d	1
7	9002394	(000000-001499)	Plate, Shield, Heat, Gas/Lpg, Replmt	1
8	79381	(000000-001499)	Clamp, Hose, Wormdrive, 1.25-2.00D, .50W	1
9	1018142	(000000-001499)	Tube Wldt, Exhaust, Gas/Lpg	1
10	384442	(000000-001499)	Stud, M10 X 1.50 [35]	2
11	08166	(000000-001499)	Nut, Hex, M10 X 1.50 [Stover]	2
12	371860	(000000-001499)	Fitting, Pipe, Plug, Metric, M18,Soc	1
13	372491	(000000-001499)	Sensor, Oxygen	1
14	371861	(000000-001499)	Gasket, Flng, Pipe, Exhaust	1
15	1011216	(000000-001499)	Gasket, Exhaust, 2hole, 3.4bc	1
16	39284	(000000-001499)	Screw, Hex, M10 X 1.5 X 35, 8.8	2
17	08166	(000000-001499)	Nut, Hex, M10 X 1.5 [Stover]	2
18	24012	(000000-001499)	Clamp, Muffler, 1.62d	1
19	1017969	(000000-001499)	Bracket, Muffler, Hanger, Front	1
20	1013031	(000000-001499)	Isolator, Rbr	1
21	222496	(000000-001499)	Sleeve, P/M, 0.31b 0.50d 0.9l [430ss]	2
22	222505	(000000-001499)	Screw, Hex, M8 X 1.25 X 45, Ss	2
23	01685	(000000-001499)	Washer, Flat, 0.31, Ss	4
24	08713	(000000-001499)	Nut, Hex, Lock, M8 X 1.25, NI, Ss	2
25	1022794	(000000-001499)	Muffler, Short [Non-Catalytic Gm1.6/3.0]	1
25	1016624	(000000-001499)	Muffler, Catalytic [Gm 1.6]	1

Fig. 28 - Engine Muffler Group (001500-)

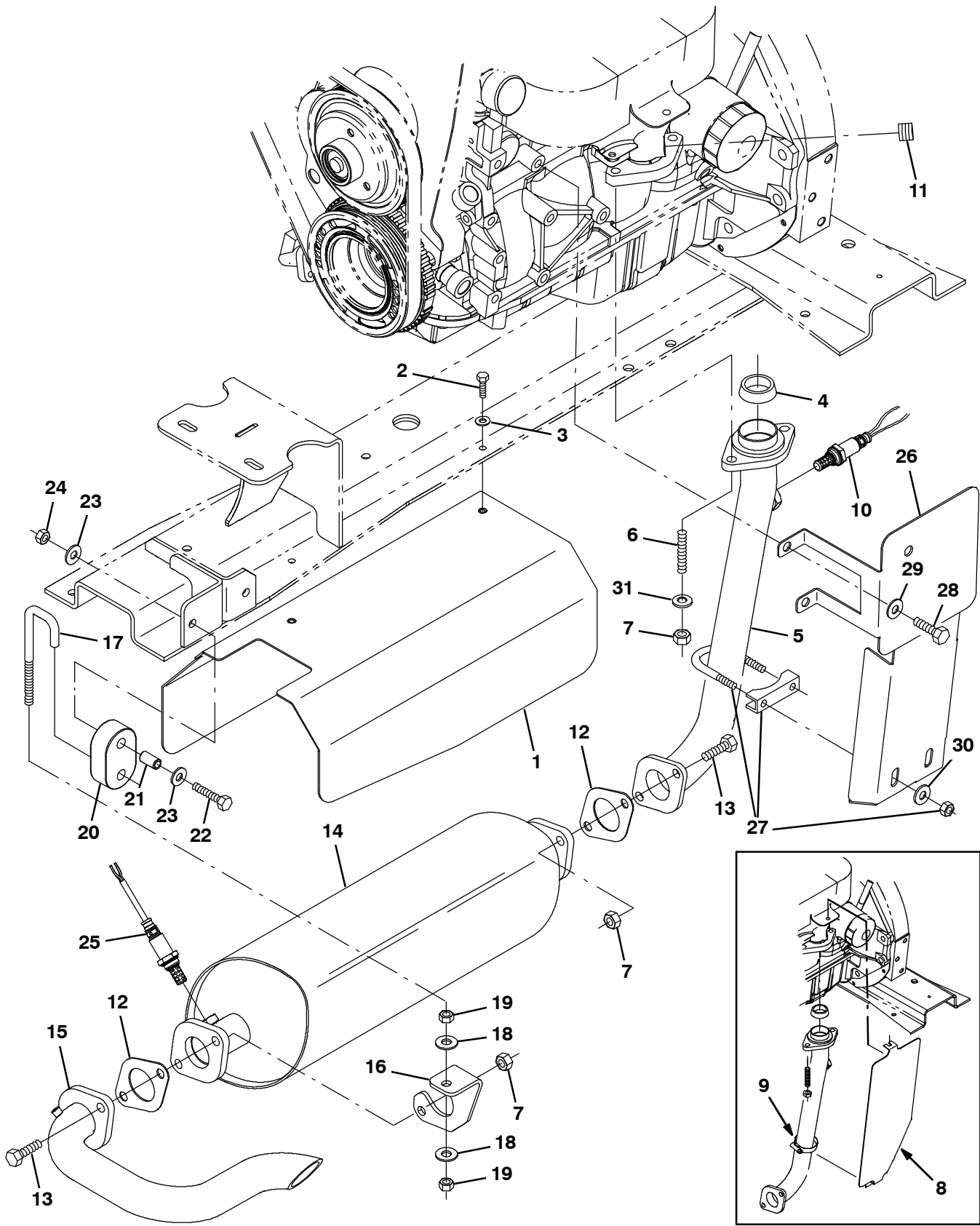


Fig. 28 - Engine Muffler Group (001500-)

Ref.	Part No.	Serial Number	Description	Qty.
1	1028994	(001500-) Channel, Shield, Muffler [M20/T20 2007]	1
2	08716	(001500-) Screw, Hex, M6 X 1.0 X 20, Ss	2
3	32483	(001500-) Washer, Flat, 0.25, Sae	2
4	371861	(001500-) Gasket, Flng, Pipe, Exhaust	1
5	1018142	(001500-) Tube Wldt, Exhaust, 1.6d, 2 Flng	1
6	384442	(001500-) Stud, M10 X 1.50 [35]	2
7	08166	(001500-) Nut, Hex, M10 X 1.50 [Stover]	6
8	9002394	(001500-001635) Plate, Shield, Heat, Gas/Lpg, Replmt	1
9	79381	(001500-001635) Clamp, Hose, Wormdrive, 1.25-2.00D, .50W	1
10	1028559	(001500-002140) Sensor, Oxygen [Gm 1.6L/3.0L 2007]	1
10	1028558	(002141-) Sensor, Exhaust, Tailpipe	1
11	371860	(001500-) Fitting, Pipe, Plug, Metric, M18,Soc	1
12	1011216	(001500-) Gasket, Exhaust, 2hole, 3.4bc	2
13	39284	(001500-) Screw, Hex, M10 X 1.5 X 35, 8.8	4
14	1028136	(001500-002140) Muffler, Catalytic [Gm 1.6l 2007]	1
14	1056241	(002141-) Muffler, Catalytic [Gm 1.6l 2010]	1
15	1028753	(001500-) Tube, Exhaust, Flng, 1.5d [M20/T20 2007]	1
16	1028929	(001500-) Bracket, Mtg, Muffler [M20/T20 2007]	1
17	1013117	(001500-) Rod, Hanger, Isolator	1
18	32492	(001500-) Washer, Flat, 0.38, Std	2
19	25014	(001500-) Nut, Hex, Std, .38-16	2
20	1013031	(001500-) Isolator, Rbr	1
21	222496	(001500-) Sleeve, P/M, 0.31b 0.50d 0.9l [430ss]	1
22	222505	(001500-) Screw, Hex, M8 X 1.25 X 45, Ss	1
23	01685	(001500-) Washer, Flat, 0.38b 0.88d .08, Ss	2
24	08713	(001500-) Nut, Hex, Lock, M8 X 1.25, NI, Ss	1
25	1028558	(001500-) Sensor, Exhaust, Tailpipe	1
26	9003832	(001636-) Shield, Heat, Gas/Lpg, Replmt	1
26	9004983	(001636-) Shield, Heat, Gas/Lpg, Replmt (Japan Only)	1
27	24012	(001636-) Clamp, Muffler, 1.62d	1
28	06961	(001636-) Screw, Hex, M10 X 1.50 X 20, 8.8	2
29	32485	(001636-) Washer, Flat, 0.38, Sae	2
30	32491	(001636-) Washer, Flat, 0.31, Std	2
31	41187	(001500-) Washer, Flat, Belleville, .38	2

Fig. 29 - Engine Radiator Group (000000-002092)

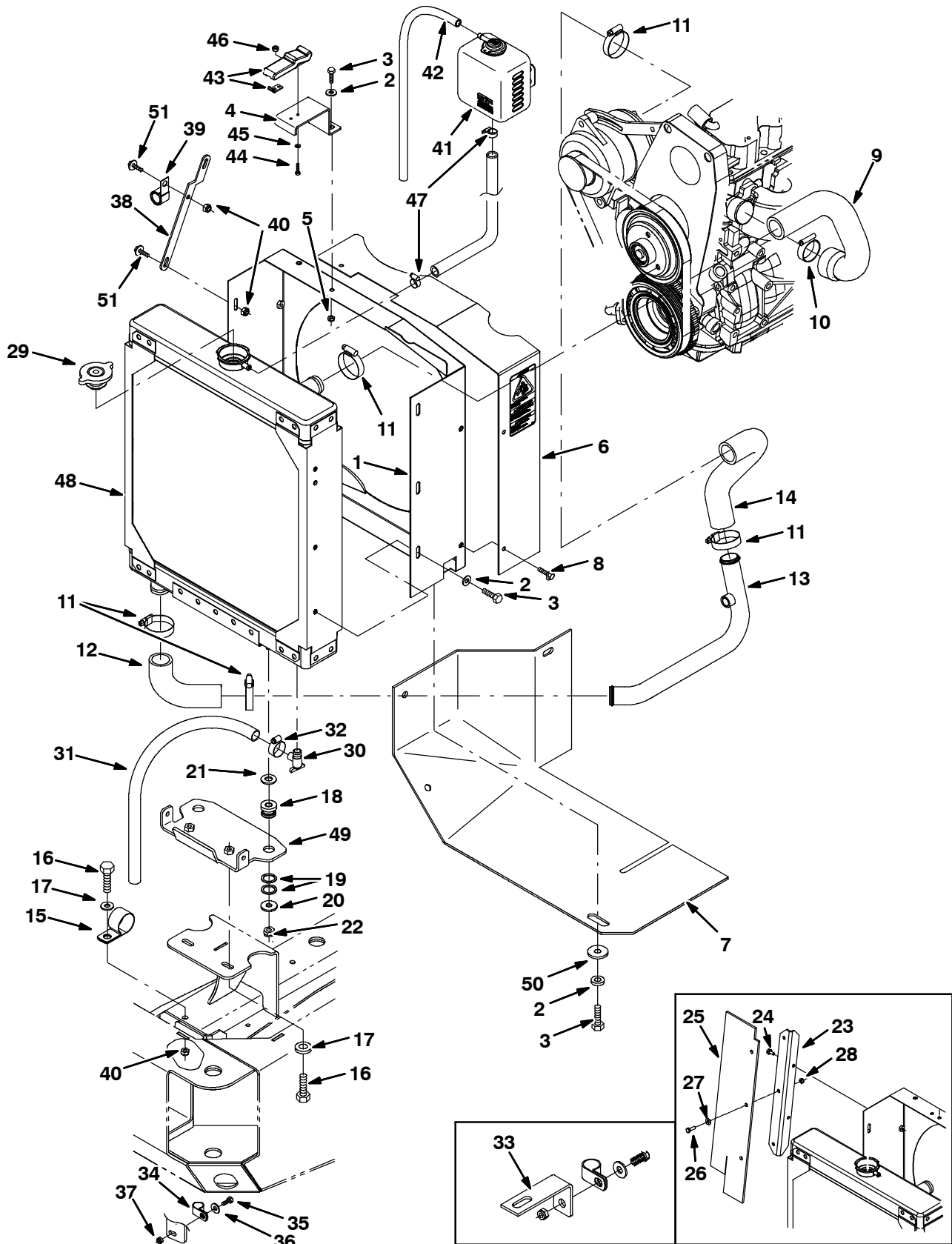


Fig. 29 - Engine Radiator Group (000000-002092)

Ref.	Part No.	Serial Number	Description	Qty.
1	1038499	(000000-002092)	Panel Wldt, Shrd, Fan	1
2	32490	(000000-002092)	Washer, Flat, 0.25 Std	11
3	06942	(000000-002092)	Screw, Hex, M6 X 1.0 X 16, 8.8	13
4	1018463	(000000-002092)	Bracket, Mtg, Latch	1
5	08708	(000000-002092)	Nut, Hex, Lock, M6 X 1.0, NI	5
6	9002393	(000000-002092)	Plate, Guard, Fan Shrd, Gas/Lpg, Replmt	1
7	1035222	(000000-002092)	Skirt, Debris, Eng Radiator	1
8	74455	(000000-002092)	Screw, Hex, M6 X 1.0 X 12, Fmg	3
9	1011799	(000000-002092)	Hose, Radiator, Upper, Mold	1
10	22297	(000000-002092)	Clamp, Hose, Wormdrive, 1.56-2.50d, .50w	1
11	79381	(000000-002092)	Clamp, Hose, Wormdrive, 1.25-2.00D, .50W	7
12	1007482	(000000-002092)	Hose, Rbr, E90 1.25id 1.25id 04.2 03.1	1
13	1019273	(000000-002092)	Tube, Coolant, Lower, 1.3d	1
14	1019265	(000000-002092)	Hose, Radiator, Lower, Mold	1
15	53466	(000000-002092)	Clamp, Cable, Stl, 1.50d X 1.00w, 1h	1
16	39277	(000000-002092)	Screw, Hex, M8 X 1.25 X 25, 8.8	3
17	32491	(000000-002092)	Washer, Flat, 0.31, Std	3
18	54274	(000000-002092)	Isolator, Vib, Bshg, 1.1d 0.6l .4b 0.78h	2
19	09832	(000000-002092)	Washer, Flat, 0.81b 1.06d .06, Stl	4
20	1014563	(000000-002092)	Washer, Flat, 0.40b 1.12d .12, Ss	2
21	32486	(000000-002092)	Washer, Flat, 0.50 Sae	2
22	41430	(000000-002092)	Nut, Hex, Lock, M10 X 1.5, NI	2
23	1027099	(000000-001013)	Plate, Mtg, Seal	1
24	74455	(000000-001013)	Screw, Hex, M6 X 1.0 X 12, Fmg	2
25	1027103	(000000-001013)	Seal, Radiator	1
26	06943	(000000-002092)	Screw, Hex, M6 X 1.0 X 20, 8.8	4
27	32483	(000000-001013)	Washer, Flat, 0.25 Sae	3
28	08708	(000000-001013)	Nut, Hex, Lock, M6 X 1.0, NI	3
29	1045764	(000000-002092)	Cap, Radiator, 14psi [Stant Ao-2516]	1
30	51305	(000000-002092)	Fitting, Draincock, E90, .25npt	1
31	73471	(000000-002092)	Hose, Pvc, Clr, 0.38id 0.56od 22.00l	1
32	43844	(000000-002092)	Clamp, Hose, Wormdrive, 0.25-0.62d, .31w	1
33	1026003	(000000-001602)	Bracket, Ftg, Bh	1
34	67767	(000000-002092)	Clamp, Cable, Stl, 0.69d X 0.62w, 1h	1
35	09740	(000000-002092)	Screw, Hex, M8 X 1.25 X 20, Ss	1
36	01685	(000000-002092)	Washer, Flat, 0.31, Ss	1
37	08713	(000000-002092)	Nut, Hex, Lock, M8 X 1.25, NI, Ss	1
38	1019968	(000000-002092)	Bracket, Mtg, Radiator	1
39	30407	(000000-002092)	Clip, Keeper, Open	1
40	08709	(000000-002092)	Nut, Hex, Lock, M8 X 1.25, NI	4
41	1023853	(000000-002092)	Tank, Coolant, 04.7 03.3 4.7deep, 1liter	1
42	1015041	(000000-002092)	Hose, Afmkt, Coolant Recvy, 05ft	1
43	49800	(000000-002092)	Latch	1
44	06927	(000000-002092)	Screw, Pan, M4 X 0.70 X 16, 4.8	2
45	19064	(000000-002092)	Washer, Flat, #06	2

STANDARD PARTS

Fig. 29 - Engine Radiator Group (000000-002092)

Ref.	Part No.	Serial Number	Description	Qty.
46	02850	(000000-002092)	Nut, Hex, Lock, M4 X 0.7, NI	2
47	43844	(000000-002092)	Clamp, Hose, Wormdrive, 0.25-0.62d, .31w	2
48	1018059	(000000-001719)	Radiator (Replaced by 1045316)	1
48	1041291	(001720-002092)	Radiator	1
49	1035976	(001036-002092)	Bracket, Sppt, Radiator, Upper	1
50	41178	(000000-002092)	Washer, Flat, 0.25, Fendr	3
51	1040467	(000000-002092)	Screw, Hex, M6 X 1.0 X 20, 9.8, Sems	2

STANDARD PARTS

Fig. 30 - Engine Radiator and Mount Group (002093-)

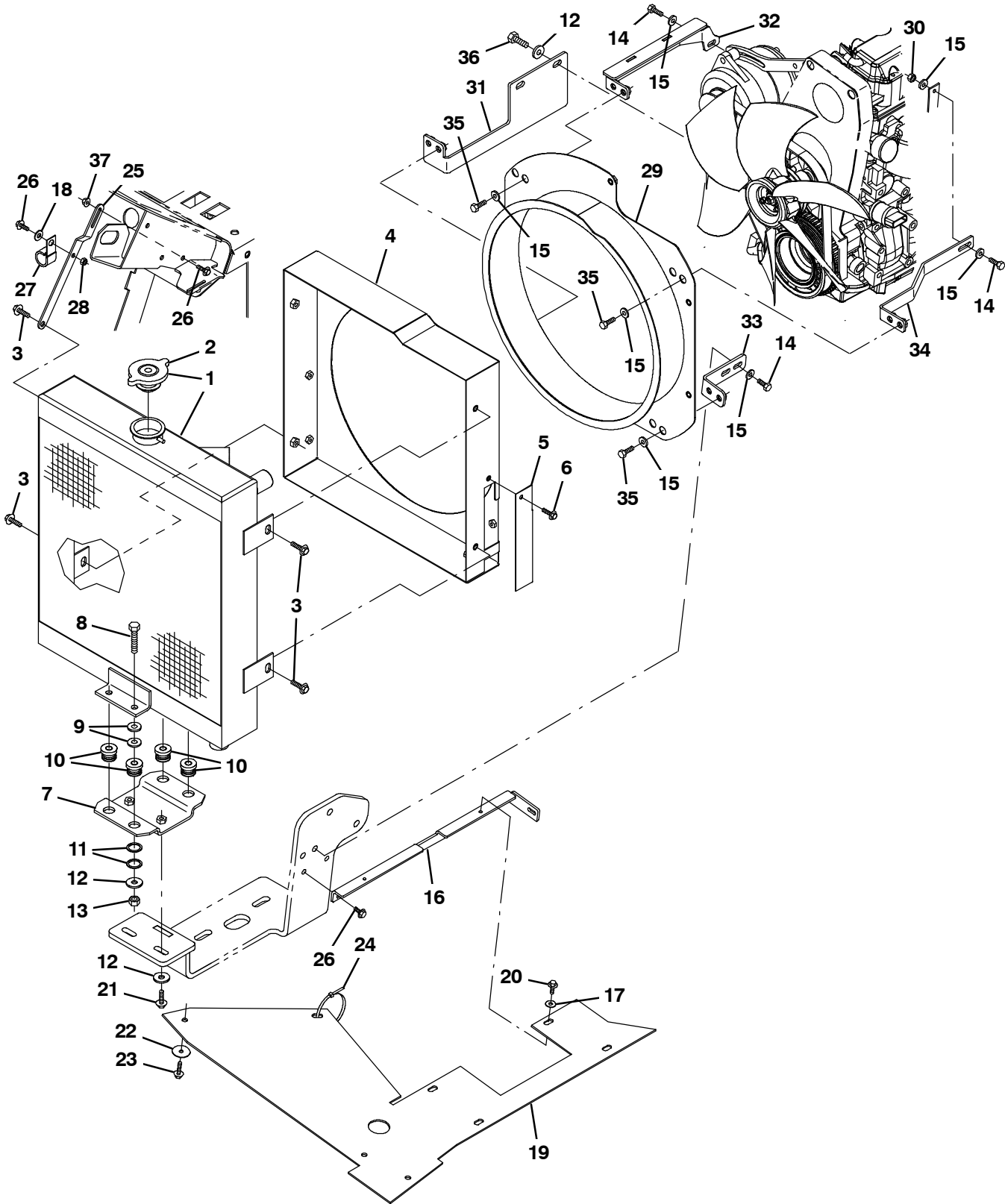


Fig. 30 - Engine Radiator and Mount Group (002093-)

Ref.	Part No.	Serial Number	Description	Qty.
▽ 1	1045940	(002093-) Radiator, W/ Hyd Cooler [Side X Side]	1
▲ 2	1045764	(002093-) Cap, Radiator, 14Psi [Stant]	1
3	1037346	(002093-) Screw, Hex, M8 X 1.25 X 25, 9.8, Sems	4
4	9006811	(002093-) Shrd Wldt, Fan, G/Lp, Replmt [M20/M30/T20]	1
4	9006813	(002093-) Shrd Wldt, Fan, G/Lp, Replmt [TJ] (Japan Only)	1
5	1045433	(002093-) Bracket, Cover	1
6	1036892	(002093-) Screw, Hex, M6 X 1.00 X 25, 9.8 Sems	2
7	1046962	(002093-) Bracket, Mtg, Radiator	1
8	06962	(002093-) Screw, Hex, M10 X 1.50 X 45, 8.8	4
9	32492	(002093-) Washer, Flat, 0.38, Std	8
10	54274	(002093-) Isolator, Vib, Bshg, 1.1d 0.6l .4b 0.78h	4
11	09832	(002093-) Washer, Flat, 0.81b 1.06d .06, Stl	8
12	1014563	(002093-) Washer, Flat, 0.40b 1.12d .12, Ss	6
13	41430	(002093-) Nut, Hex, Lock, M10 X 1.5, NI	4
14	39277	(002093-) Screw, Hex, M8 X 1.25 X 25, 8.8	4
15	32491	(002093-) Washer, Flat, 0.31, Std	12
16	1043897	(002093-) Bracket, Skirt, Rbr	1
17	32483	(002093-) Washer, Flat, 0.25, Sae	2
18	32490	(002093-) Washer, Flat, 0.25, Std	2
19	1052170	(002093-) Skirt, Eng Fan, Gas / Lp	1
20	361339	(002093-) Screw, Hex, M6 X 1.00 X 16, Fmg	2
21	1037355	(002093-) Screw, Hex, M8 X 1.25 X 35, 9.8, Sems	2
22	41178	(002093-) Washer, Flat, 0.25, Fendr	3
23	1036892	(002093-) Screw, Hex, M6 X 1.00 X 25, 9.8 Sems	3
24	49266	(002093-) Tie, Cable, Nyl, 07.3l .19w 1.8 Max D	1
25	1019968	(002093-) Bracket, Mtg, Radiator	1
26	1040467	(002093-) Screw, Hex, M6 X 1.00 X 20, 9.8, Sems	4
27	30407	(002093-) Clip, Keeper, Open	1
28	08708	(002093-) Nut, Hex, Lock, M6 X 1.00, NI	1
29	1046039	(002093-) Shroud Wldt, Fan, 16.25d [Side X Side]	1
30	08165	(003039-) Nut, Hex, Stover, M8 X 1.25	1
31	1045419	(002093-) Bracket, Fan, Rh	1
32	1045530	(002093-) Bracket Wldt, Mtg, Fan, Upper	1
33	1045415	(002093-) Bracket, Fan, Lh	1
34	1045447	(002093-) Bracket, Fan, Upper, Lh	1
35	16931	(002093-) Screw, Hex, M8 X 1.25 X 20, 8.8	9
36	39283	(002093-) Screw, Hex, M10 X 1.50 X 25, 8.8	2
37	07790	(002093-) Nut, Hex, Flng, M6 X 1.00	1

Fig. 31 - Engine Radiator Hose Group (002093-)

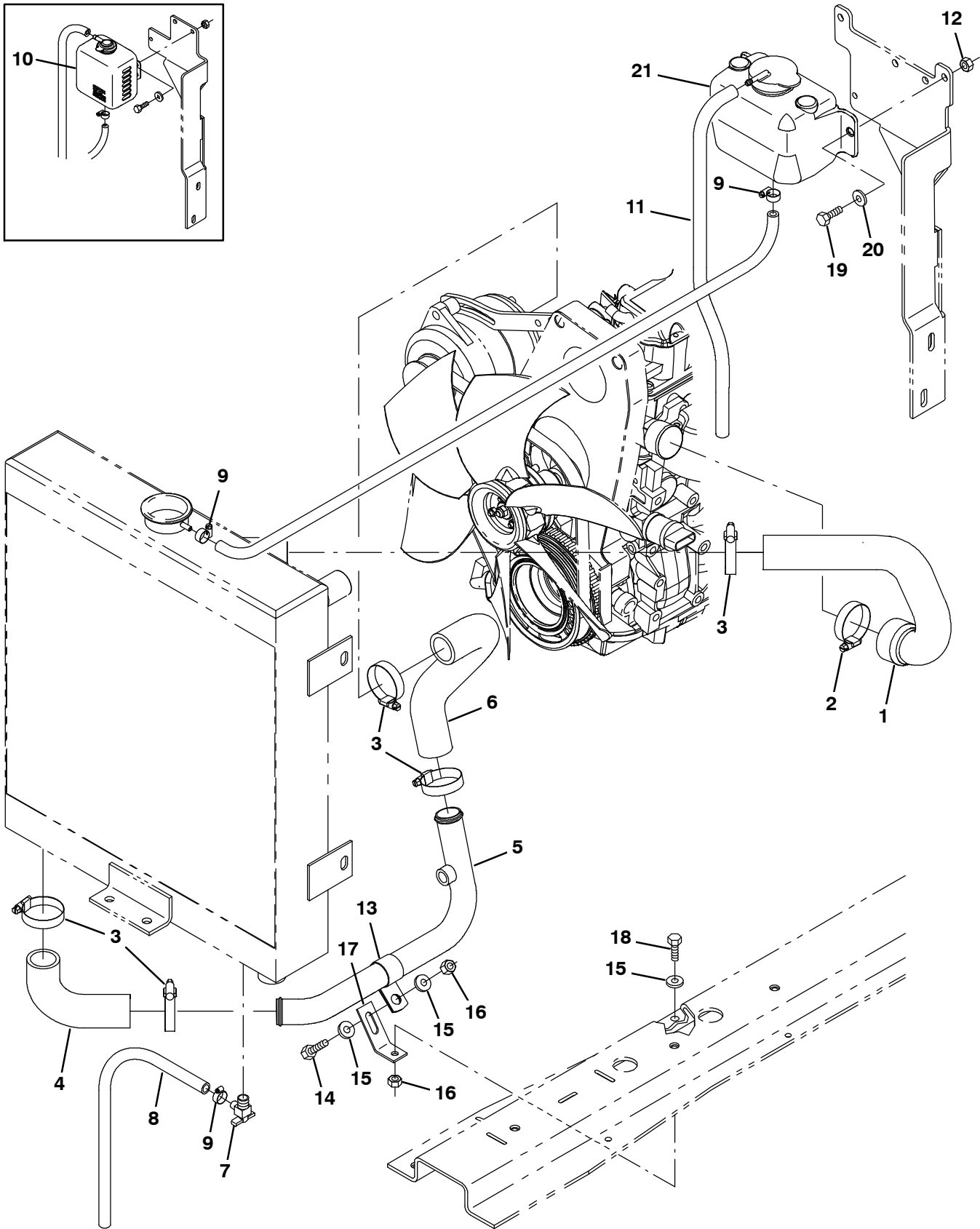


Fig. 31 - Engine Radiator Hose Group (002093-)

Ref.	Part No.	Serial Number	Description	Qty.
1	1014747	(002093-)	Hose, Coolant, Mold, 1.25id To 1.62id	1
2	22297	(002093-)	Clamp, Hose, Wormdrive, 1.56-2.50d, .50w	1
3	79381	(002093-)	Clamp, Hose, Wormdrive, 1.25-2.00d, .50w	5
4	1007482	(002093-)	Hose, Rbr, E90, 1.25id 1.25id 04.2 03.1	1
5	1043322	(002093-)	Tube, Coolant, 1.3d, Lower	1
6	1019265	(002093-)	Hose, Radiator, Lower, Mold	1
7	51305	(002093-)	Fitting, Draincock, E90, .25npt	1
8	73471	(002093-)	Hose, Pvc, Clr, 0.38id 0.56od 022.0l	1
9	43844	(002093-)	Clamp, Hose, Wormdrive, 0.25-0.62d, .31w	3
10	1023853	(002093-002140)	Tank, Coolant, 03.30w 4.7hi 04.7l, 1liter	1
11	1015041	(002093-002140)	Hose, Afmkt, Coolant Recvy, 05ft	1
11	87738	(002141-)	Hose, Fuel, 0.18id, 29.0l	1
12	08709	(002093-)	Nut, Hex, Lock, M8 X 1.25, NI	2
13	58366	(002093-)	Clamp, Cable, Stl, 1.25d X 1.00w, 1hole	1
14	09010	(002093-)	Screw, Hex, M8 X 1.25 X 25, Ss	1
15	01685	(002093-)	Washer, Flat, 0.38b 0.88d .08, Ss	3
16	08713	(002093-)	Nut, Hex, Lock, M8 X 1.25, NI, Ss	2
17	1035214	(002093-)	Bracket, Tube, Coolant	1
18	09740	(002093-)	Screw, Hex, M8 X 1.25 X 20, Ss	1
19	16931	(002093-)	Screw, Hex, M8 X 1.25 X 20, 8.8	2
20	32491	(002093-)	Washer, Flat, 0.31, Std	2
21	1054382	(002141-)	Tank, Coolant, 03.6w 04.1hi 05.5l, 1liter	1

Fig. 32 - Battery and Electrical Group

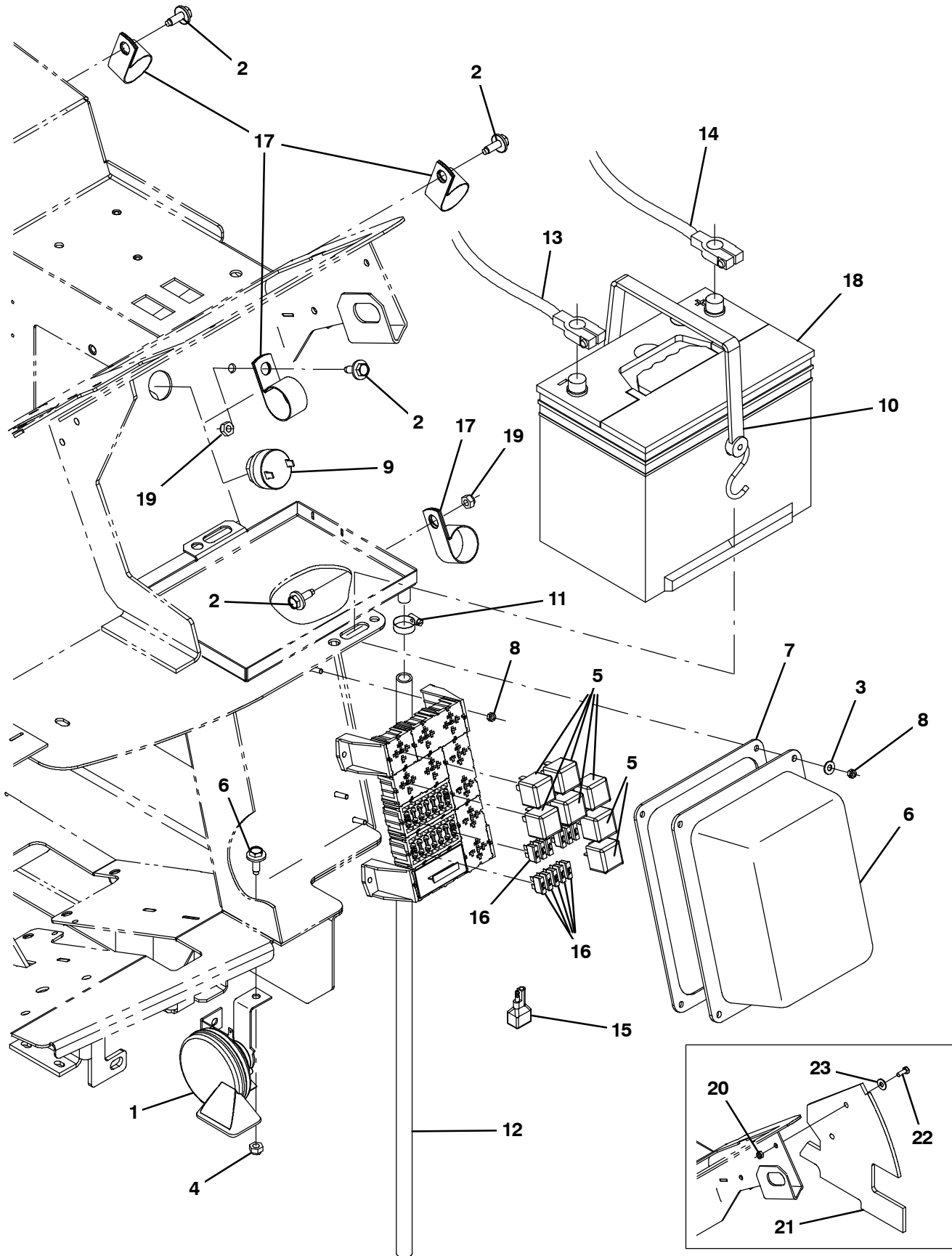


Fig. 32 - Battery and Electrical Group

Ref.	Part No.	Serial Number	Description	Qty.
1	369704	(000000-) Horn, 12vdc, Dba [Wolo]	1
2	1037346	(000000-) Screw, Hex, M8 X 1.25 X 25, 9.8, Sems	5
3	19066	(000000-) Washer, Flat, #10	4
4	08709	(000000-) Nut, Hex, Lock, M8 X 1.25, NI	1
5	57804	(000000-) Relay, 12vdc, 40a, Spdt N/O	7
6	1024274	(000000-) Cover, Fuse, Block	1
7	1026576	(000000-) Gasket, Cover, Fuse Block	1
8	06549	(000000-) Nut, Hex, Lock, M5 X 0.8, NI	8
9	1021290	(000000-) Alarm, Warning [Sonalert, St628]	1
10	33671	(000000-) Strap, Rbr, Tie-Down, 2/Hooks 19.0l	1
11	54333	(000000-) Clamp, Hose, Wormdrive, 0.31-0.88d, .31w	1
12	20778	(000000-) Hose, Pvc, Clr, 0.50id 0.69od 30.00l	1
13	60295	(000000-) Cable, Battery, 02ga 60.0l Blk .41ring	1
14	68869	(000000-) Cable, Battery, 02ga 48.0l Red .41ring	1
15	222290	(000000-) Diode, Ele, Plug	1
16	762514	(000000-) Fuse, 015a	14
17	53466	(000000-) Clamp, Cable, Stl, 1.50d X 1.00w, 1h	4
18	10137	(000000-) Battery, 12vdc, 0475cca, Ah, Wet	1
19	08709	(000000-) Nut, Hex, Lock, M8 X 1.25, NI	2
20	08708	(000000-001013) Nut, Hex, Lock, M6 X 1.0, NI	2
21	1027228	(000000-001013) Seal, Radiator, Upper	1
22	06942	(000000-001013) Screw, Hex, M6 X 1.0 X 16, 8.8	2
23	32490	(000000-001013) Washer, Flat, 0.25 Std	2

Fig. 33 - Wheel Group, Front Drive

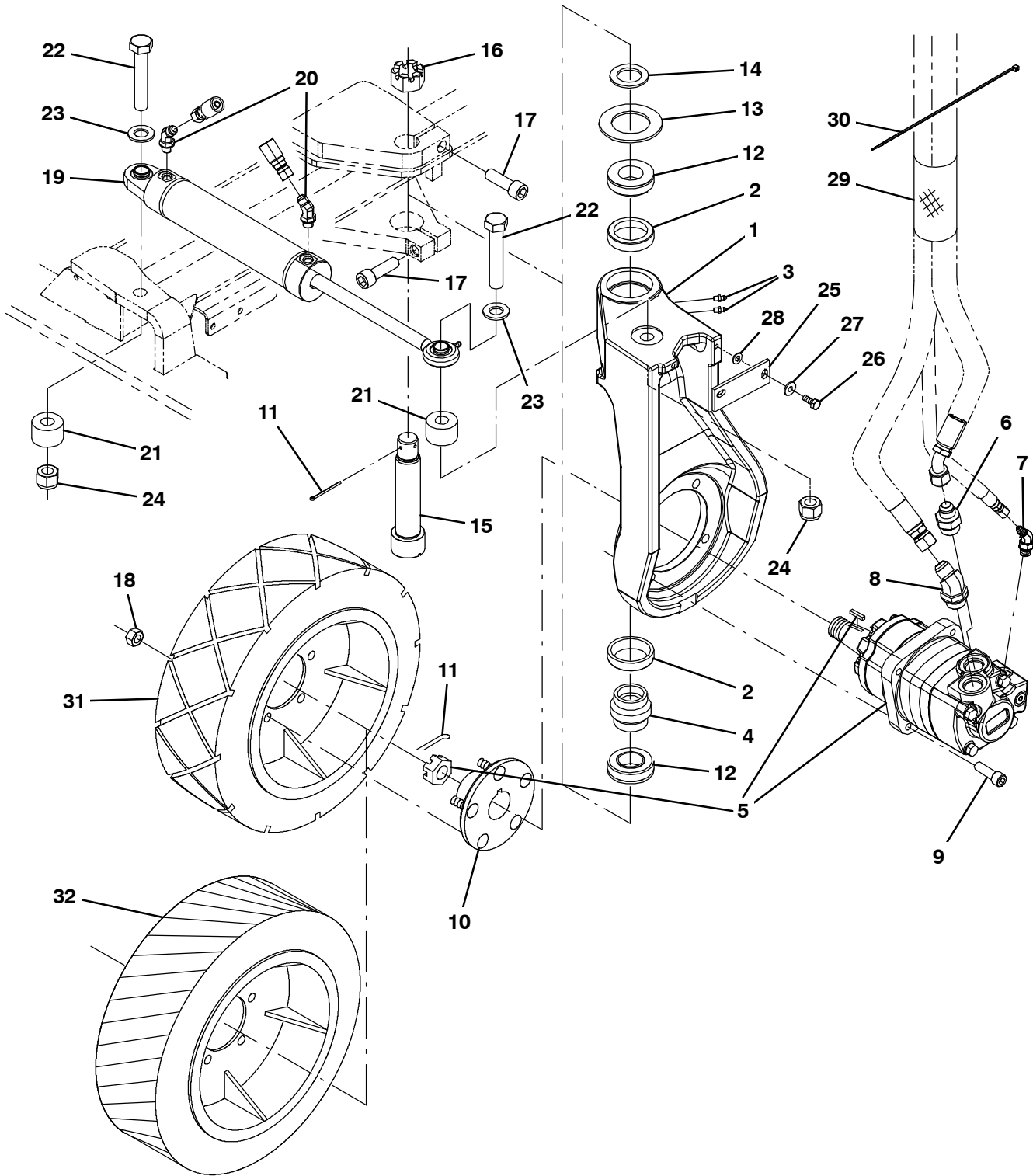


Fig. 33 - Wheel Group, Front Drive

Ref.	Part No.	Serial Number	Description	Qty.
1	1037940	(000000-) Housing, Sppt, Rear Wheel	1
2	51338	(000000-) Bearing, Cup, 2.56d 0.55w	2
3	47801	(000000-) Fitting, Grease, Str Pm04 .63l	2
4	374560	(000000-) Seal, Drive, Rear, Grease Cav	1
5	379609	(000000-) Motor, Hyd, Gear, Int 19.0 Bi-Dir 3000 (See Breakdowns)	1
6	42223	(000000-) Fitting, Hyd, Str, Jm10/Om12	1
7	393215	(000000-) Fitting, Hyd, E45, Jm04/Om06	1
8	1024249	(000000-) Fitting, Hyd, E45, Jm10/Om12	1
9	19583	(000000-) Screw, Soc, .50-13 X 1.50, Al	4
▽	10 54087	(000000-) Hub Assy, Wheel, 5 Bolt 4.50bc Taper B	1
▲	32126	(000000-) Stud, Wheel, .50-20 X 1.50l, 0.370th	5
11	08180	(000000-) Pin, Cotter, .125 X 2.00	2
12	51339	(000000-) Bearing, Cone, 1.38b 0.71w	2
13	374563	(000000-) Washer, Flat, 2.16b 3.50d .16, Felt	1
14	54051	(000000-) Washer, Flat, 1.39b 2.12d .13, Stl	1
15	73281	(000000-) Bolt, Shld, 1.37d X 5.13l, 1.1-18 Drilled	1
16	54052	(000000-) Nut, Hex, Sltd, 1.12-18	1
17	72926	(000000-) Screw, Soc, M16 X 2.0 X 50, 12.9	2
18	24339	(000000-) Nut, Wheel, .50-20 X 60 Angle	5
19	1017903	(000000-) Cylinder, Hyd, 2.0b, 15.2l, 09.00strk, 3000	1
20	47522	(000000-) Fitting, Hyd, E45, Jm06/Om06	2
21	71340	(000000-) Tube, Rnd, 1.75d 0.77b 01.1l, Stl, Pntd	2
22	71341	(000000-) Screw, Hex, .75-10 X 4.00, 5	2
23	39350	(000000-) Washer, Flat, 0.75 Sae	2
24	32987	(000000-) Nut, Hex, Lock, .75-10, Ni	2
25	58842	(000000-) Bar, Flat, Stl 0.19, 01.50 X 04.1l	1
26	16931	(000000-) Screw, Hex, M8 X 1.25 X 20, 8.8	2
27	32491	(000000-) Washer, Flat, 0.31, Std	2
28	39349	(000000-) Washer, Flat, 0.31 Sae	1
29	57315	(000000-) Sleeve, Nyl, #37 05.0l	1
30	49266	(000000-) Tie, Cable, Nyl, 07.3l .19w 1.8 Max D	1
31	1059343	(000000-) Tire, Drive, Scrbr, Non-Skid, 18.0X6.0	1
32	1061973	(000000-) Tire, Drive, Scrbr, Pu, Grey, 18.0X6.0 (Optional Polyurethane)	1

Fig. 34 - Wheel Group, Rear

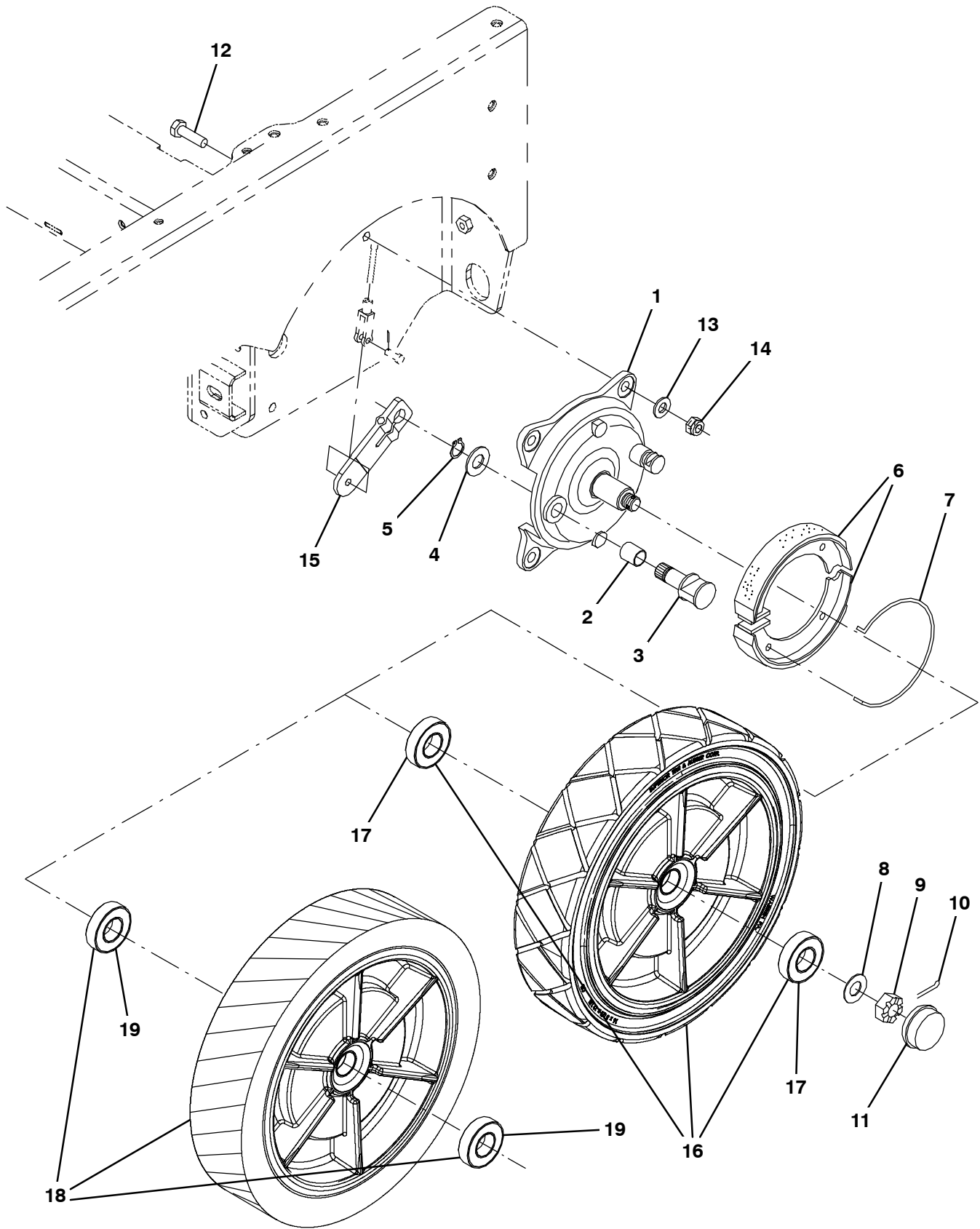


Fig. 34 - Wheel Group, Rear

Ref.	Part No.	Serial Number	Description	Qty.
▽	360023	(000000-) Brake Assy, Drum, Mech, 07.0d 1.2w	2
▲	1 360270	(000000-) Plate, Backing, Brake	1
▲	2 360271	(000000-) Bushing, Sleeve, 0.78b 0.86d 0.93l, Bnz	1
▲	3 360272	(000000-) Cam, Plt, Brake [Nickel]	1
▲	4 360273	(000000-) Washer, Flat, M21.0b X 37d X 3	1
▲	5 360274	(000000-) Retainer, Ring, Brake	1
▲	6 360275	(000000-) Shoe, Brake, 180 X 30mm	2
▲	7 360276	(000000-) Spring, Wir, 0.25d, Return, Brake	1
	8 49145	(000000-) Washer, Flat, 0.76b 1.50d .06, Ss	2
	9 86659	(000000-) Nut, Hex, Sltd, .75-16	2
	10 08171	(000000-) Pin, Cotter, .156 X 2.00	2
	11 54390	(000000-) Cap, Hub, Dust 2.57d 0.77l	2
	12 06969	(000000-) Screw, Hex, M12 X 1.75 X 40, 8.8	8
	13 32486	(000000-) Washer, Flat, 0.50 Sae	8
	14 08711	(000000-) Nut, Hex, Lock, M12 X 1.75,NI	8
	15 360802	(000000-) Arm, Lever, Brake, 4.1 [Knott]	2
▽	16 1059671	(000000-) Tire, Idler, Scrbr, Blk, 16.0X3.5	2
▲	17 360074	(000000-) Bearing, Ball, 1.18b 2.44d 0.63w	2
▽	18 1061974	(000000-) Tire, Idler, Scrbr, Pu, Grey, 16.0X3.5 (Optional Polyurethane)	2
▲	19 360074	(000000-) Bearing, Ball, 1.18b 2.44d 0.63w	2

Fig. 35 - Brake Pedal Linkage Group

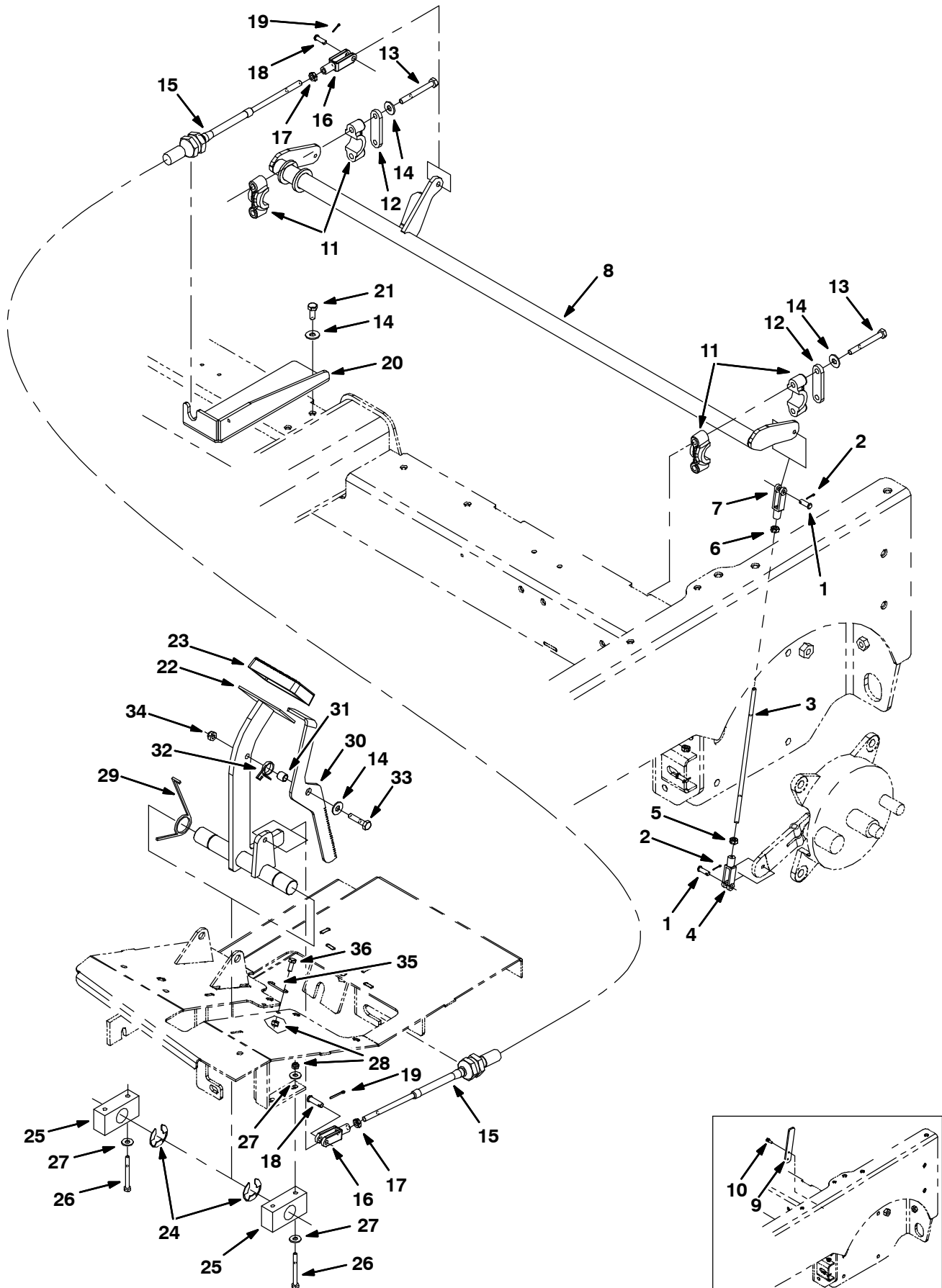
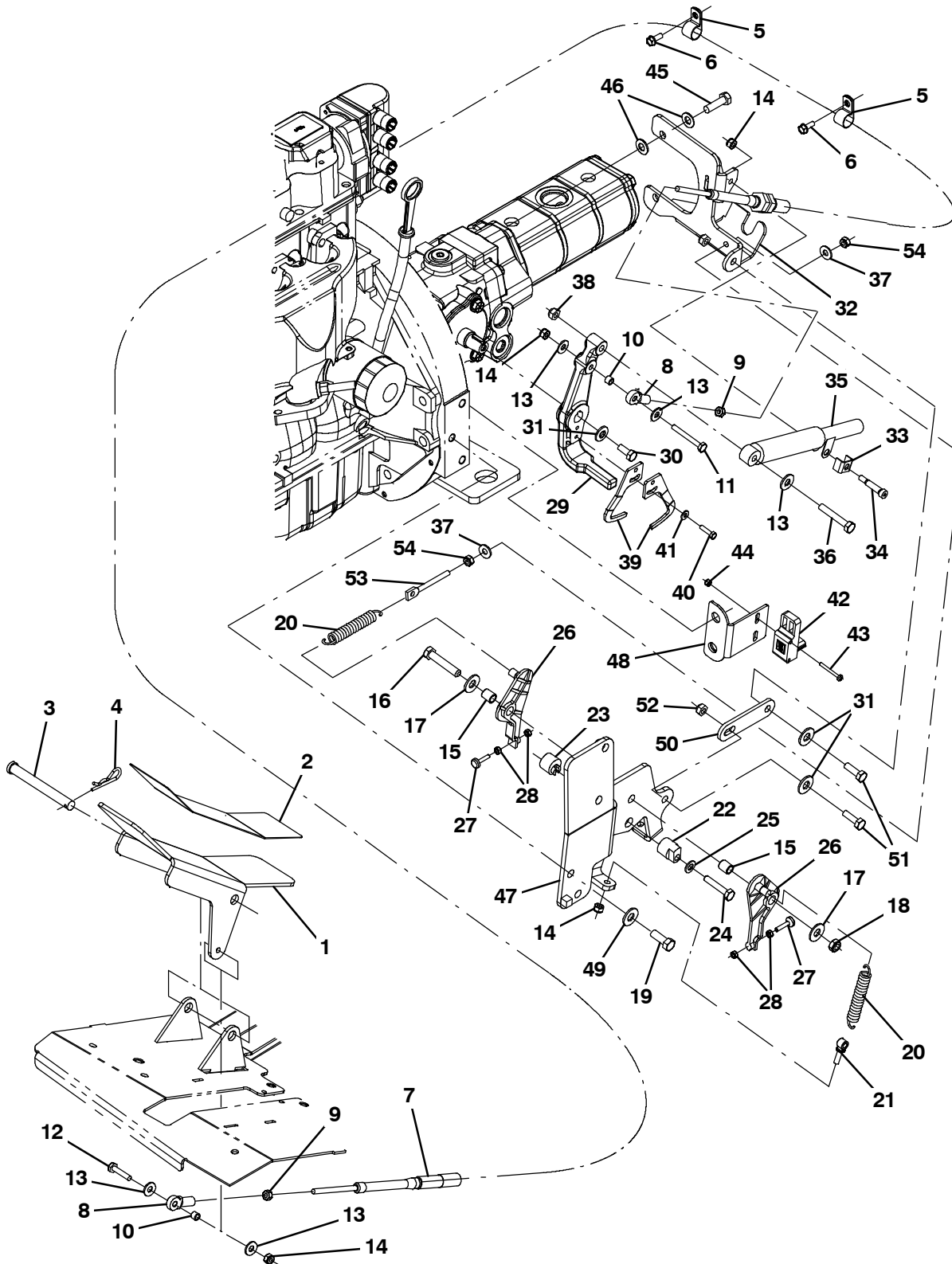


Fig. 35 - Brake Pedal Linkage Group

Ref.	Part No.	Serial Number	Description	Qty.
1	14605	(000000-) Pin, Clevis, 0.25d X 0.75l	4
2	08170	(000000-) Pin, Cotter, .062 X 0.50	4
3	364347	(000000-) Rod	2
4	14595-1	(000000-) Clevis, Adj, 0.25 Pin, 0.25-28 Rh, Pl	2
5	364948	(000000-) Nut, Hex, Std, .25-28, Lh	2
6	01714	(000000-) Nut, Hex, Std, .25-28	2
7	364864	(000000-) Clevis, Adj, 0.25pin, 0.25-28left Pl	2
8	1022031	(000000-) Shaft Wldt, Brake	1
9	1026025	(000000-xxxxxx) Plate, Stop, Brake	2
10	361339	(000000-xxxxxx) Screw, Hex, M6 X 1.0 X 16, Fmg	4
11	381502	(000000-) Bearing, Split, 1.00b	4
12	382224	(000000-) Plate, Sppt	2
13	39279	(000000-) Screw, Hex, M8 X 1.25 X 70, 8.8	4
14	32491	(000000-) Washer, Flat, 0.31, Std	7
15	1025495	(000000-) Cable, Push / Pull, 063.0l 4.0, .31-24	1
16	58311	(000000-) Clevis, Adj, 0.31pin, 0.31-24	2
17	20170	(000000-) Nut, Hex, Jam, .31-24	2
18	69582	(000000-) Pin, Clevis, 0.31d X 1.00l	2
19	08179	(000000-) Pin, Cotter, .094 X 1.00	2
20	1022736	(000000-) Bracket, Mtg, Cable	1
21	16931	(000000-) Screw, Hex, M8 X 1.25 X 20, 8.8	2
22	1022243	(000000-) Shaft Wldt, Pedal, Brake	1
23	51109	(000000-) Pad, Pedal, Brake, 3.96l 2.36w 0.75	1
24	23788	(000000-) Ring, Retaining, Ext, 0.98d, [E-Ring]	2
25	86751	(000000-) Bearing, Pillowblock, 1.02b [Solid Pye]	2
26	06548	(000000-) Screw, Hex, M6 X 1.0 X 60, 8.8	4
27	32490	(000000-) Washer, Flat, 0.25 Std	8
28	08708	(000000-) Nut, Hex, Lock, M6 X 1.0, NI	6
29	54607	(000000-) Spring, Tors, 1.13id .12wir 02.3coil Rh	2
30	1025487	(000000-) Pedal, Brake, Lock	1
31	46563	(000000-) Bushing, Sleeve, 0.37b 0.50d 0.50l, Oib	1
32	59009	(000000-) Spring, Tors, 0.75id .06wir 02.8coil	1
33	06955	(000000-) Screw, Hex, M8 X 1.25 X 35, 8.8	1
34	08709	(000000-) Nut, Hex, Lock, M8 X 1.25, NI	1
35	71367	(000000-) Spring, Wir, 0.08d, Brake, Parking	1
36	06942	(000000-) Screw, Hex, M6 X 1.0 X 16, 8.8	2

Fig. 36 - Directional Pedal and Linkage Group



Ref.	Part No.	Serial Number	Description	Qty.
1	1025140	(000000-) Pedal, Propel	1
2	58819	(000000-) Tread, Non-Skid, 03.0w 11.6l	1
3	59668	(000000-) Pin, Clevis, 0.50 D X 4.50l	1

Fig. 36 - Directional Pedal and Linkage Group

Ref.	Part No.	Serial Number	Description	Qty.
4	08182	(000000-) Pin, Cotter, .125 X 1.00	1
5	67767	(000000-) Clamp, Cable, Stl, 0.69d X 0.62w, 1h	2
6	361339	(000000-) Screw, Hex, M6 X 1.0 X 16, Fmg	2
7	1022345	(000000-) Cable, Push / Pull, 098.0l .25-28/.25-28	1
8	68866	(000000-) Rod-End, .25-28rh Fem 0.25b [Teflon]	2
9	01714	(000000-) Nut, Hex, Std, .25-28	2
10	65441	(000000-) Tube, 00.38d 00.26b 00.3l Stl Plt	2
11	41399	(000000-) Screw, Hex, .25-20 X 2.25, Ss	1
12	42180	(000000-) Screw, Hex, .25-20 X 1.75, Ss	1
13	32490	(000000-) Washer, Flat, 0.25 Std	5
14	41169	(000000-) Nut, Hex, Lock, .25-20, NI, Ss	4
15	63234	(000000-) Tube, 00.50d 00.38b 00.6l Stl	2
16	42467	(000000-) Screw, Hex, .38-16 X 2.00, Ss	1
17	32492	(000000-) Washer, Flat, 0.38 Std	2
18	36643	(000000-) Nut, Hex, Lock, .38-16, NI, Thin	1
19	21197	(000000-) Screw, Hex, .38-16 X 1.00, 5	2
20	11842	(000000-) Spring, Extn, 0.75od X 0.12wir, 4.3l	2
21	48079	(000000-) Bolt, Eye, .25-20 X 1.40 X .25 Eye	1
22	53947	(000000-) Cam, Centering, Pintle	1
23	54655	(000000-) Cam, Centering, Pintle	1
24	74440	(000000-) Screw, Hex, M8 X 1.25 X 40, Ss, NI	1
25	39349	(000000-) Washer, Flat, 0.31 Sae	1
26	53953	(000000-) Arm, Cntrl, Pintle, Centering	2
27	54205	(000000-) Bumper, Rbr, 0.5d 0.16t M5 X 08	2
28	50335	(000000-) Nut, Hex, Std, M5 X 0.8, 8	4
29	1027233	(000000-) Arm, Pintle	1
30	83879	(000000-) Screw, Hex, .31-24 X 0.75, NI	1
31	41186	(000000-) Washer, Belleville, .31	3
32	1027313	(000000-) Bracket Wldt, Propel, Pintle	1
33	84170	(000000-) Bracket, Retainer, Safety	1
34	16213	(000000-) Bolt, Shld, .31d X 1.00, .25-20	1
35	73411	(000000-) Shock Absorber, 2.3 Strk	1
36	39278	(000000-) Screw, Hex, M8 X 1.25 X 50, 8.8	1
37	32491	(000000-) Washer, Flat, 0.31 Std	2
38	08709	(000000-) Nut, Hex, Lock, M8 X 1.25, NI	1
39	1022787	(000000-) Arm [Positioning]	2
40	09252	(000000-) Screw, Hex, M5 X 0.8 X 20, 8.8	2
41	01683	(000000-) Washer, Flat, #10 Ss	2
42	1022779	(000000-) Sensor, Spd / Dir, 6-30vdc	1
43	09198	(000000-) Screw, Pan, M4 X 0.7 X 35, Ss	2
44	33932	(000000-) Nut, Hex, Lock, M4 X 0.7, NI, Ss	2
45	46559	(000000-) Screw, Hex, .38-16 X 1.25, NI	2
46	32485	(000000-) Washer, Flat, 0.38 Sae	4
47	1022140	(000000-) Bracket, Propel, Gas/Lpg	1
48	1022798	(000000-) Bracket, Mtg, Cyl	1
49	41187	(000000-) Washer, Flat, Belleville, .38	2
50	1032399	(000000-) Strap, Sppt	1
51	09010	(000000-) Screw, Hex, M8 X 1.25 X 25, Ss	2
52	08713	(000000-) Nut, Hex, Lock, M8 X 1.25, NI, Ss	2
53	386088	(000000-) Bolt, Eye, M8X1.25, 2.75L	1
54	07786	(000000-) Nut, Hex, Std, M8 X 1.25, Ss	2

Fig. 37 - Cylindrical Scrub Brush Drive Group, Left Side

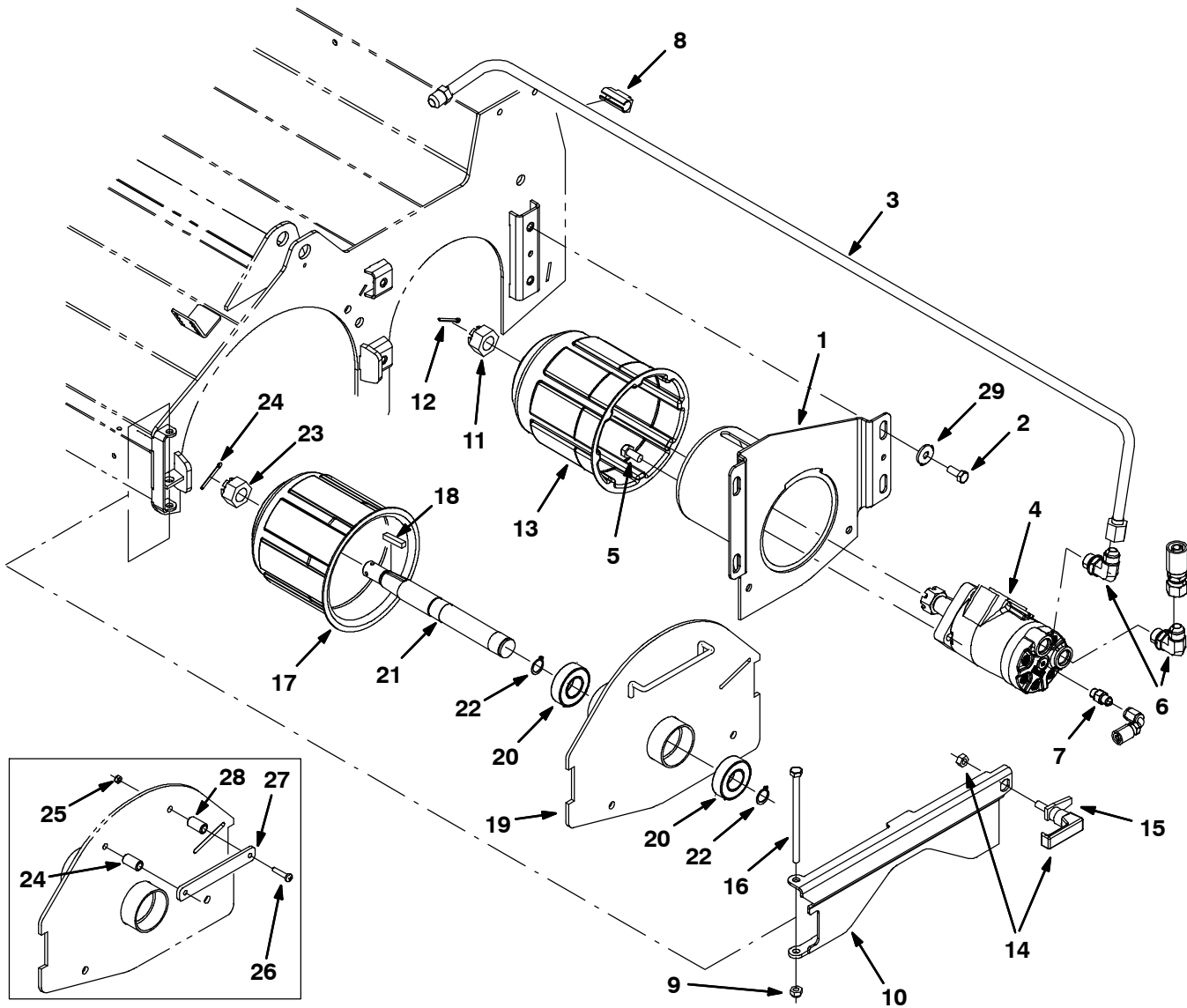


Fig. 37 - Cylindrical Scrub Brush Drive Group, Left Side

Ref.	Part No.	Serial Number	Description	Qty.
1	1021019	(000000-) Housing Wldt, Brush, Drive	1
2	15675	(000000-) Screw, Hex, M8 X 1.25 X 16, Ss	4
3	1023617	(000000-) Tube, Hyd, 08 Jf08/Jm08	1
4	71729	(000000-) Motor, Hyd, Gear, Int 04.5 Bi-Dir 1500 (See Breakdowns)	1
5	01762	(000000-) Screw, Hex, .38-16 X 0.75, NI	4
6	44868	(000000-) Fitting, Hyd, E90, Jm08/Om08	2
7	55586	(000000-) Fitting, Hyd, Str, Jm04/Om04	1
8	1026080	(000000-) Clamp, Hyd, 0.50d	1
9	08713	(000000-) Nut, Hex, Lock, M8 X 1.25, NI, Ss	11
10	1029964	(000000-) Door Wldt, Brush	1
11	12295	(000000-) Nut, Hex, Sltld, M20 X 2.5, 8	1
12	08175	(000000-) Pin, Cotter, .125 X 1.25	1
13	87631	(000000-) Plug Wldt, Drive, Brush, Sweep	1
14	65695	(000000-) Latch	1
15	1026352	(000000-) Pawl, Str	1
16	70563	(000000-) Screw, Hex, M8 X 1.25 X 130, 8.8	1
▽	9006398	(000000-) Idler Assy, Brush, Replmt [M20/T20, M30]	1
▲	17 25686	(000000-) Plug Wldt, Drive, Brush	1
▲	18 00927	(000000-) Key, Sq, 0.25 X 0.25, 1.25l	1
▲	19 1038258	(000000-) Door Wldt, Brush, Idler	1
▲	20 13534	(000000-) Bearing, Ball, 0.98b 2.05d 0.59w	2
▲	21 56078	(000000-) Shaft, Brush, Idler	1
▲	22 09005	(000000-) Ring, Retaining, Ext, 1.00d, Basic	2
▲	23 12295	(000000-) Nut, Hex, Sltld, M20 X 2.5, 8	1
▲	24 08175	(000000-) Pin, Cotter, .125 X 1.25	1
	25 09739	(000000-001558) Nut, Hex, Lock, M5 X 0.8, NI, Ss	2
	26 17185	(000000-001558) Screw, Pan, M5 X 0.8 X 40, Ss	2
	27 1032743	(000000-001558) Plate, Handle	1
	28 222496	(000000-001558) Sleeve, P/M, 0.31b 0.50d 0.9l [430ss]	2
	29 32491	(000000-) Washer, Flat, 0.31, Std	4

Fig. 38 - Cylindrical Scrub Brush Drive Group, Right Side

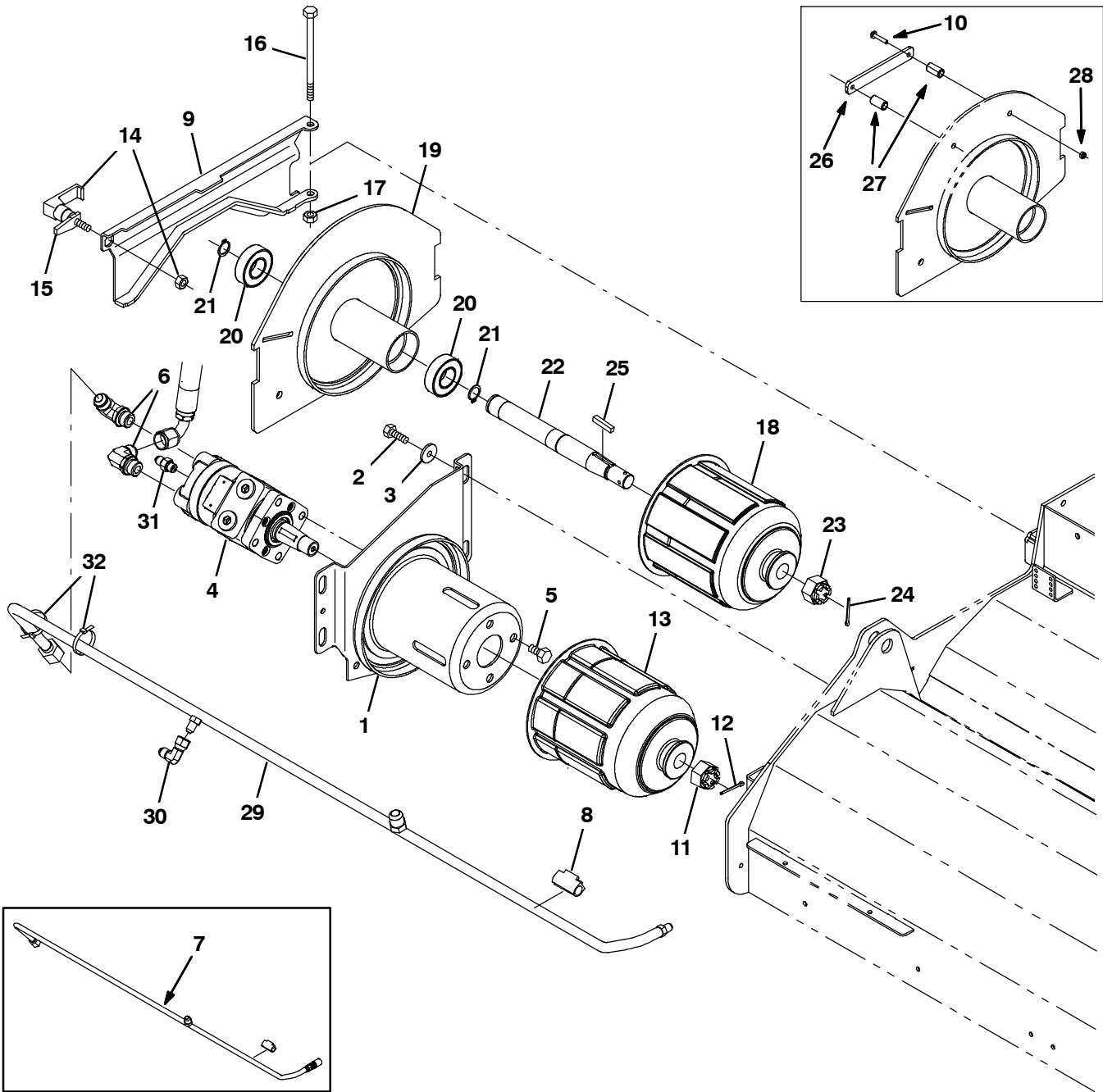


Fig. 38 - Cylindrical Scrub Brush Drive Group, Right Side

Ref.	Part No.	Serial Number	Description	Qty.	
1	1021019	(000000-) Housing Wldt, Brush, Drive	1	
2	15675	(000000-) Screw, Hex, M8 X 1.25 X 16, Ss	4	
3	32491	(000000-) Washer, Flat, 0.31, Std	4	
4	71729	(000000-) Motor, Hyd, Gear, Int 04.5 Bi-Dir 1500 (See Breakdowns)	1	
5	01762	(000000-) Screw, Hex, .38-16 X 0.75, NI	4	
6	44868	(000000-) Fitting, Hyd, E90, Jm08/Om08	2	
7	9006386	(000000-002096) Tube Kit, Hyd, Case Drain [M20/T20]	1	
8	1026080	(000000-) Clamp, Hyd, 0.50d	1	
9	1029964	(000000-) Door Wldt, Brush	1	
10	17185	(000000-001558) Screw, Pan, M5 X 0.8 X 40, Ss	2	
11	12295	(000000-) Nut, Hex, Sltd, M20 X 2.5, 8	1	
12	08175	(000000-) Pin, Cotter, .125 X 1.25	1	
13	87631	(000000-) Plug Wldt, Drive, Brush, Sweep	1	
14	65695	(000000-) Latch	1	
15	1026352	(000000-) Pawl, Str	1	
16	70563	(000000-) Screw, Hex, M8 X 1.25 X 130, 8.8	1	
17	08713	(000000-) Nut, Hex, Lock, M8 X 1.25, NI, Ss	1	
▽	9006398	(000000-) Idler Assy, Brush, Replmt [M20/T20, M30]	1	
▲	18	25686	(000000-) Plug Wldt, Drive, Brush	1
▲	19	1038258	(000000-) Door Wldt, Brush, Idler	1
▲	20	13534	(000000-) Bearing, Ball, 0.98b 2.05d 0.59w	2
▲	21	09005	(000000-) Ring, Retaining, Ext, 1.00d, Basic	2
▲	22	56078	(000000-) Shaft, Brush, Idler	1
▲	23	12295	(000000-) Nut, Hex, Sltd, M20 X 2.5, 8	1
▲	24	08175	(000000-) Pin, Cotter, .125 X 1.25	1
▲	25	00927	(000000-) Key, Sq, 0.25 X 0.25, 1.25l	1
	26	1032743	(000000-001558) Plate, Handle	1
	27	222496	(000000-001558) Sleeve, P/M, 0.31b 0.50d 0.9l [430ss]	2
	28	09739	(000000-001558) Nut, Hex, Lock, M5 X 0.8, NI, Ss	2
	29	1055139	(002097-) Tube, Hyd, Brush Return, W/ Cd [M20/T20]	1
	30	39210	(002097-) Fitting, Hyd, E90, Jf04/Jm04	1
	31	55586	(002097-) Fitting, Hyd, Str, Jm04/Om04	1
	32	49266	(002097-) Tie, Cable, Nyl, 07.3l .19w 1.8 Max D	2

Fig. 39 - Cylindrical Scrub Brush Head Lift Group

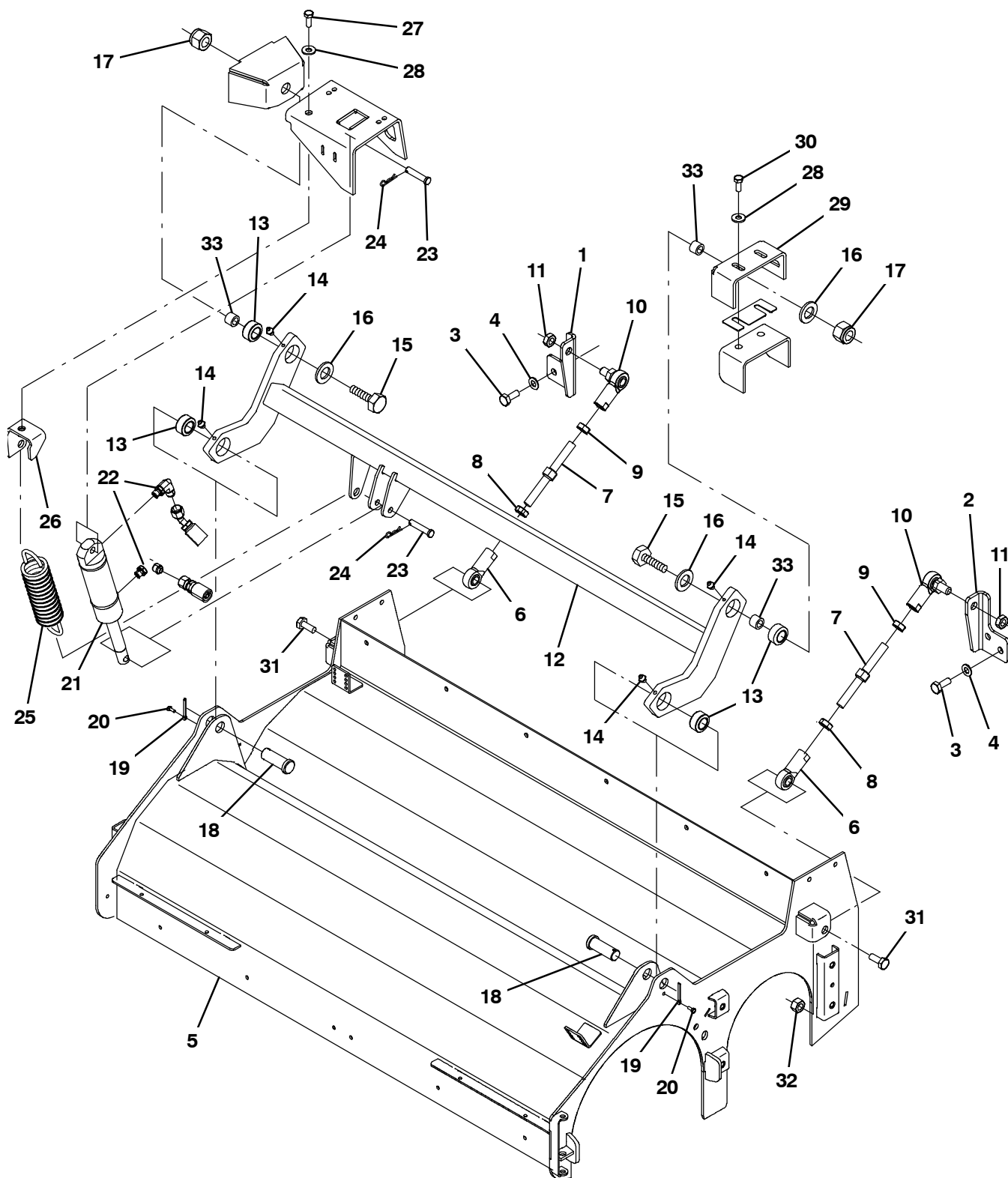


Fig. 39 - Cylindrical Scrub Brush Head Lift Group

Ref.	Part No.	Serial Number	Description	Qty.
1	1030910	(000000-) Bracket, Mtg, Scb Head, Rh	1
2	1030911	(000000-) Bracket, Mtg, Scb Head, Lh	1
3	09028	(000000-) Screw, Hex, M10 X 1.5 X 25, Ss	4
4	32485	(000000-) Washer, Flat, 0.38 Sae	4
5	1020002	(000000-) Housing Wldt, Swp, Scb	1
6	67555	(000000-) Rod-End, .50-20rh Fem 0.50b	2
7	1014705	(000000-) Rod, Thrd, 2 End, .50-20 04.9l, Rh / Lh	2
8	48985	(000000-) Nut, Hex, Jam, .50-20	2
9	71369	(000000-) Nut, Hex, Jam, .50-20, Lh	2
10	382099	(000000-) Rod-End, .50-20lh Fem 0.50-20stud	2
11	51824	(000000-) Nut, Hex, Lock, .50-20, NI, Thin	2
12	1020003	(000000-) Tube Wldt, Torque	1
13	42120	(000000-) Bearing, Self Align, 0.75b 1.25d	4
14	07259	(000000-) Fitting, Grease, Str Pm04 .47l	4
15	06969	(000000-) Screw, Hex, M12 X 1.75 X 40, 8.8	2
16	41619	(000000-) Washer, Flat, 0.56b 1.38d .11, Ss	2
17	09741	(000000-) Nut, Hex, Lock, M12 X 1.75, NI, Ss	2
18	04733-12	(000000-) Pin, Clevis, 0.75d X 2.00l	2
19	08236	(000000-) Pin, Cotter, .156 X 1.25	2
20	223198	(000000-) Screw, Hex, M5 X 0.8 X 10, Fmg	2
21	1038137	(000000-) Cylinder, Hyd, 1.5b 07.8l 02.80strk 2500	1
22	77098	(000000-) Fitting, Hyd, E90, Jm06/Om04	2
23	17461	(000000-) Pin, Clevis, 0.37d X 1.75l	2
24	86866	(000000-) Pin, Cotter, Hair, 0.38d .072 Wir	2
25	1031413	(000000-) Spring, Extn, 1.68od X .203wir, 7.5l	1
26	1027810	(000000-) Bracket, Mtg, Spring	1
27	763090	(000000-) Screw, Hex, M8 X 1.25 X 60, FI	1
28	32491	(000000-) Washer, Flat, 0.31, Std	4
29	1019146	(000000-) Bracket, Mtg, Lift, Scb Head	1
30	09740	(000000-) Screw, Hex, M8 X 1.25 X 20, Ss	3
31	39811	(000000-) Screw, Hex, .50-13 X 1.50, 5	2
32	36644	(000000-) Nut, Hex, Lock, .50-13, NI, Thin	2
33	1025100	(000000-) Sleeve, P/M, 0.47b 0.75d 0.5l [430ss]	3

Fig. 40 - Cylindrical Brush Head Skirt Group

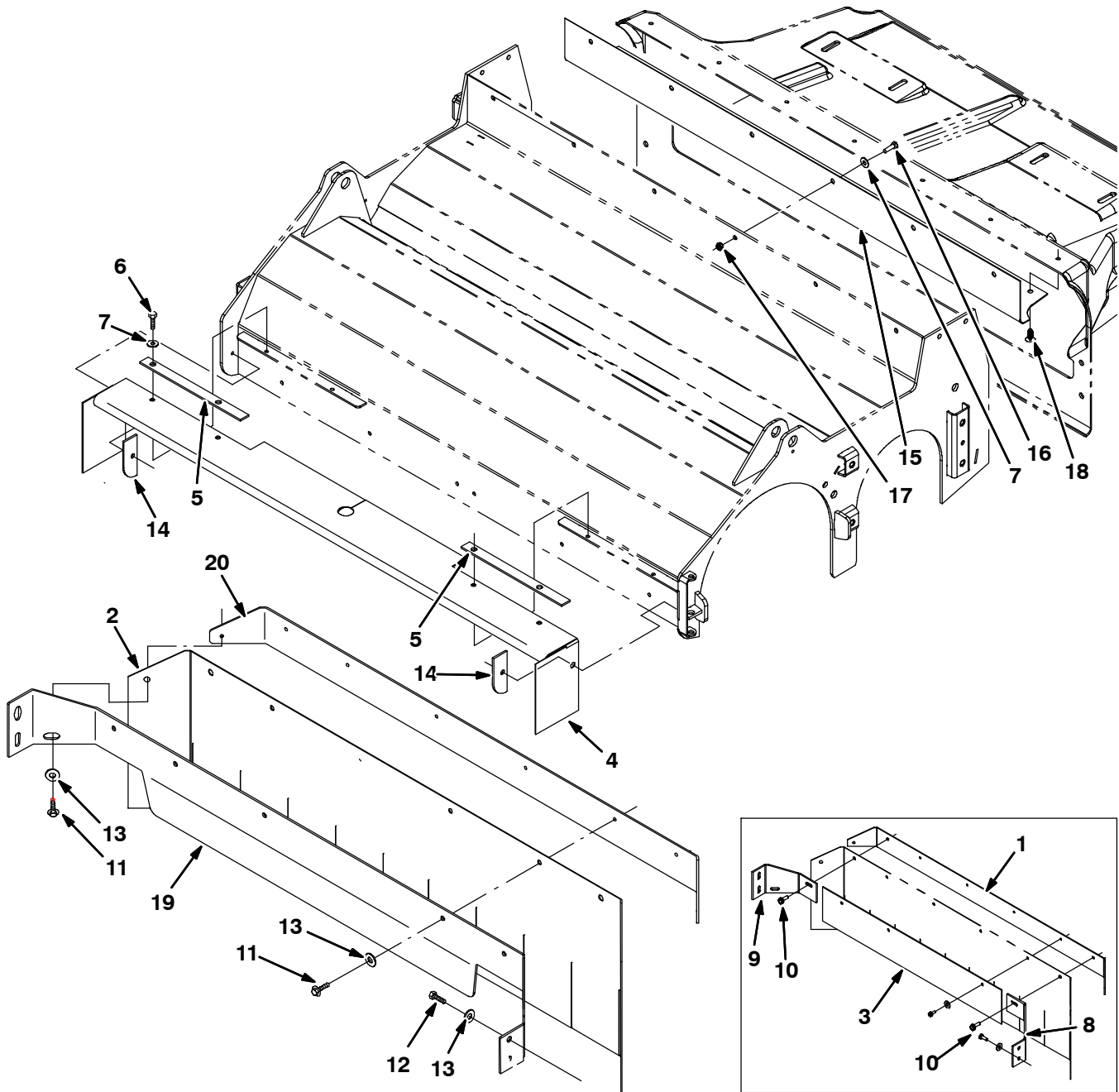


Fig. 40 - Cylindrical Brush Head Skirt Group

Ref.	Part No.	Serial Number	Description	Qty.
1	1020208	(000000-001603)	Plate, Skirt, Front	1
2	1020166	(000000-	Skirt, Neo, .06, 12.00w 45.88l, 07 Hole	1
3	1020207	(000000-001603)	Retainer, Skirt, Front	1
4	1022363	(000000-	Skirt, Neo, .06, 07.63w 51.52l, 11 Hole	1
5	1022003	(000000-	Retainer, Skirt	2
6	361339	(000000-	Screw, Hex, M6 X 1.0 X 16, Fmg	6
7	01684	(000000-	Washer, Flat, 0.25, Ss	16
8	1024570	(000000-001603)	Bracket, Mtg, Skirt	1
9	1020163	(000000-001603)	Bracket, Mtg, Skirt	1
10	76099	(000000-001603)	Screw, Hex, M8 X 1.25 X 25, Fmg	4
11	361339	(000000-	Screw, Hex, M6 X 1.0 X 16, Fmg	8
12	09740	(000000-	Screw, Hex, M8 X 1.25 X 20, Ss	4
13	01685	(000000-	Washer, Flat, 0.31, Ss	9
14	1022359	(000000-	Plate, Mtg, Skirt, Scb Head	2
15	1025826	(000000-	Angle, Deflector	1
16	08716	(000000-	Screw, Hex, M6 X 1.0 X 20, Ss	4
17	08712	(000000-	Nut, Hex, Lock, M6 X 1.00, Ss, NI	4
18	21168	(000000-	Clip, .250h, Plstc [Pine-tree]	7
19	1039396	(001604-	Bracket, Mtg, Skirt	1
20	1040018	(001604-	Plate, Skirt, Front	1

Fig. 41 - Disk Scrub Head Drive Motor Group

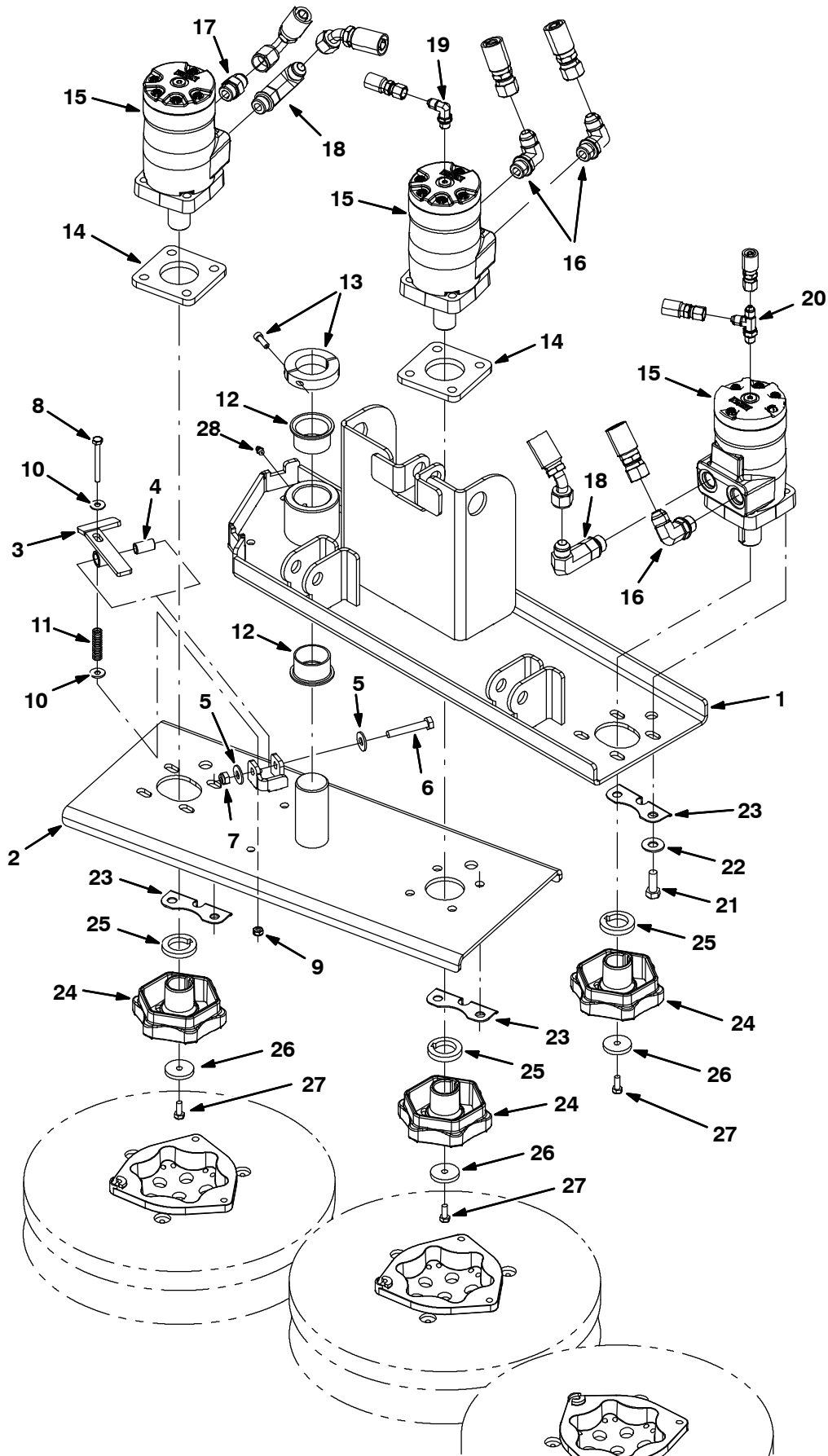


Fig. 41 - Disk Scrub Head Drive Motor Group

Ref.	Part No.	Serial Number	Description	Qty.
	1	9003247	(000000-) Head Wldt, Disk, Std, Replmt	1
	1	9003249	(000000-) Head Wldt, Disk, Replmt, Jp (Japn Only)	1
	2	1026101	(000000-) Head Wldt, Swing, Lower, 14.0	1
▽		9003061	(000000-) Latch Kit, Disk, Replmt [T20]	1
▲	3	1031286	(000000-) Latch Wldt, Head, Disk	1
▲	4	222496	(000000-) Sleeve, P/M, 0.31b 0.50d 0.9l [430ss]	1
▲	5	01685	(000000-) Washer, Flat, 0.31, Ss	2
▲	6	49694	(000000-) Screw, Hex, M8 X 1.25 X 50, Ss	1
▲	7	08713	(000000-) Nut, Hex, Lock, M8 X 1.25, NI, Ss	1
▲	8	58979	(000000-) Screw, Hex, M6 X 1.0 X 55, Ss	1
▲	9	08712	(000000-) Nut, Hex, Lock, M6 X 1.00, Ss, NI	1
▲	10	01684	(000000-) Washer, Flat, 0.25, Ss	2
▲	11	1031217	(000000-) Spring, Cmpr, 0.42od .06wir 1.50l	1
	12	54620	(000000-) Bushing, Flng, 1.50b 1.65d 1.00l	2
	13	70624	(000000-) Collar, Split, 1.50b .50w 2/Bolt	1
	14	1025968	(000000-) Spacer	2
	15	1024407	(000000-) Motor, Hyd, Gear, Int 09.7 Bi-Dir 2500 (See Breakdowns)	3
	16	44868	(000000-) Fitting, Hyd, E90, Jm08/Om08	3
	17	44869	(000000-) Fitting, Hyd, Str, Jm08/Om08	1
	18	69173	(000000-) Fitting, Hyd, E90, Jm08/Om08, L	2
	19	77097	(000000-) Fitting, Hyd, E90, Jm04/Om04	1
	20	34390	(000000-) Fitting, Hyd, Tee, Jm04/Jm04/Om04, Run	1
	21	21197	(000000-) Screw, Hex, .38-16 X 1.00, G5	12
	22	32492	(000000-) Washer, Flat, 0.38, Std	12
	23	1028495	(000000-) Brkt, Ftg	3
	24	1042963	(000000-) Hub, Drive, Brush, Disk, 1.00B [6T]	3
	25	25611	(000000-) Spacer, Hub, Keyed	3
	26	19191	(000000-) Spacer	3
	27	25046	(000000-) Screw, Hex, .25-20 X 1.00, G5	3
	28	07259	(000000-) Fitting, Grease. Str Pm04 .47L	1

Fig. 42 - Disk Scrub Head Lift Group

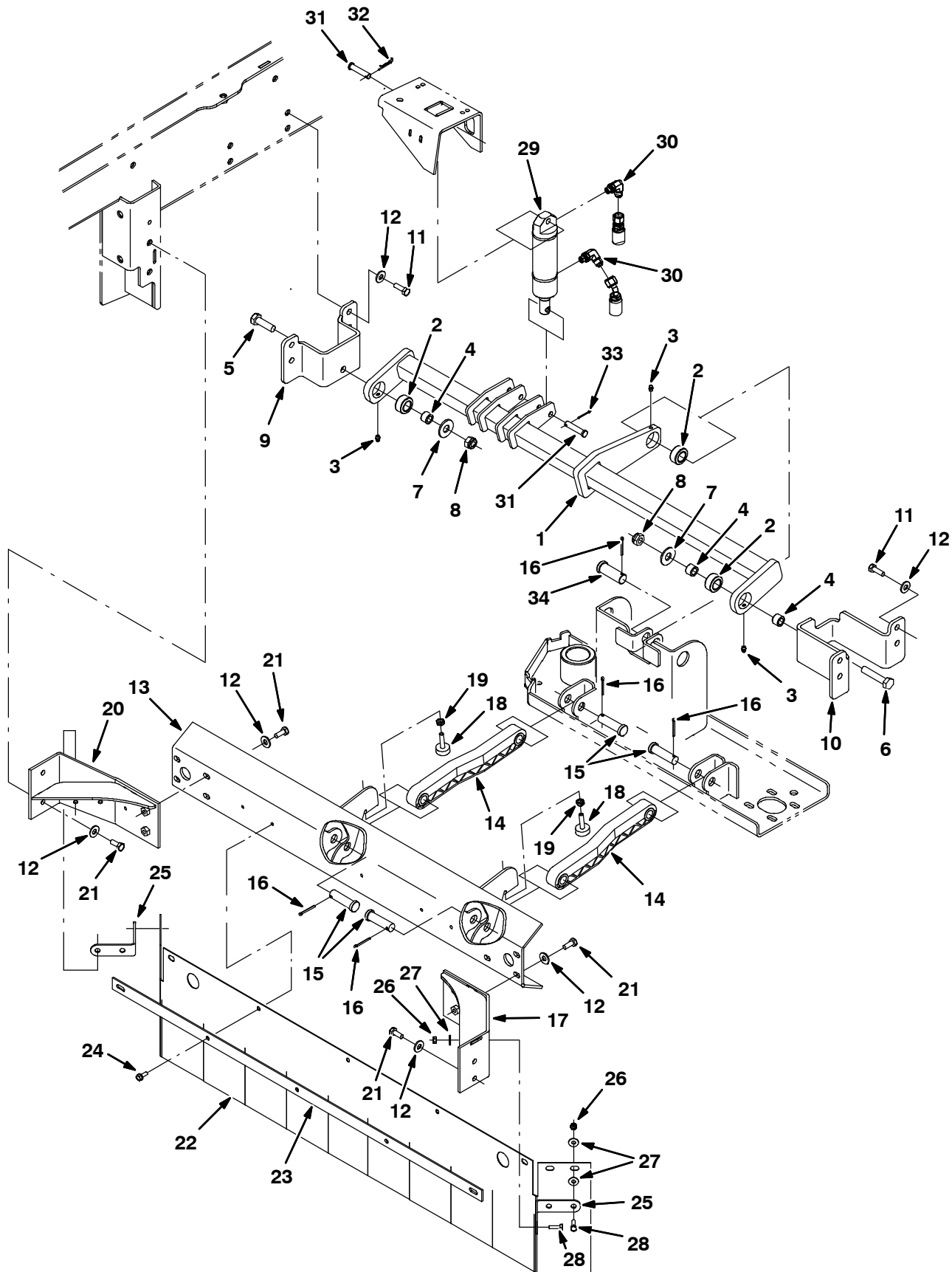


Fig. 42 - Disk Scrub Head Lift Group

Ref.	Part No.	Serial Number	Description	Qty.
1	1026130	(000000-) Tube Wldt, Torque	1
2	42120	(000000-) Bearing, Self Align, 0.75b 1.25d	3
3	07259	(000000-) Fitting, Grease, Str Pm04 .47l	3
4	1025100	(000000-) Sleeve, P/M, 0.47b 0.75d 0.5l [430ss]	3
5	06969	(000000-) Screw, Hex, M12 X 1.75 X 40, 8.8	1
6	06972	(000000-) Screw, Hex, M12 X 1.75 X 60, 8.8	1
7	41619	(000000-) Washer, Flat, 0.56b 1.38d .11, Ss	2
8	09741	(000000-) Nut, Hex, Lock, M12 X 1.75, NI, Ss	2
9	1025041	(000000-) Bracket, Mtg, Torque Tube	1
10	1030558	(000000-) Bracket, Mtg, Torque Tube	1
11	09010	(000000-) Screw, Hex, M8 X 1.25 X 25, Ss	8
12	32491	(000000-) Washer, Flat, 0.31, Std	16
13	1039469	(000000-) Bracket Wldt, Arm, Lower Cntrl	1
14	222027	(000000-) Arm, Lift, Head [5700]	2
15	222210	(000000-) Pin, Clevis, 0.62d X 2.12l	44
16	08175	(000000-) Pin, Cotter, .125 X 1.25	5
17	1025198	(000000-) Bracket Wldt, Head, Lower, Lh	1
18	1039468	(000000-) Bumper, Rbr, 1.00d 0.38th M8x1.25	2
19	07786	(000000-) Nut, Hex, Std, M8 X 1.25, Ss	2
20	1025320	(000000-) Bracket Wldt, Head, Lower, Rh	1
21	09740	(000000-) Screw, Hex, M8 X 1.25 X 20, Ss	8
22	1028433	(000000-) Skirt, Front, Disk Head	1
23	1028446	(000000-) Retainer, Skirt, Disk Head	1
24	361339	(000000-) Screw, Hex, M6 X 1.0 X 16, Fmg	5
25	1028440	(000000-) Bracket, Angle, Sppt, Shield	2
26	08712	(000000-) Nut, Hex, Lock, M6 X 1.00, Ss, NI	8
27	01684	(000000-) Washer, Flat, 0.25, Ss	12
28	08716	(000000-) Screw, Hex, M6 X 1.0 X 20, Ss	8
29	379030	(000000-) Cylinder, Hyd, 1.5b,07.8l,02.80strk,2500	1
30	77098	(000000-) Fitting, Hyd, E90, Jm06/Om04	2
31	17461	(000000-) Pin, Clevis, 0.37d X 1.75l	2
32	86866	(000000-) Pin, Cotter, Hair, 0.38d .072 Wir	1
33	08179	(000000-) Pin, Cotter, .094 X 1.00	1
34	04733-12	(000000-) Pin, Clevis, 0.75d X 2.00l	1

Fig. 43 - Rear Squeegee Lift Group

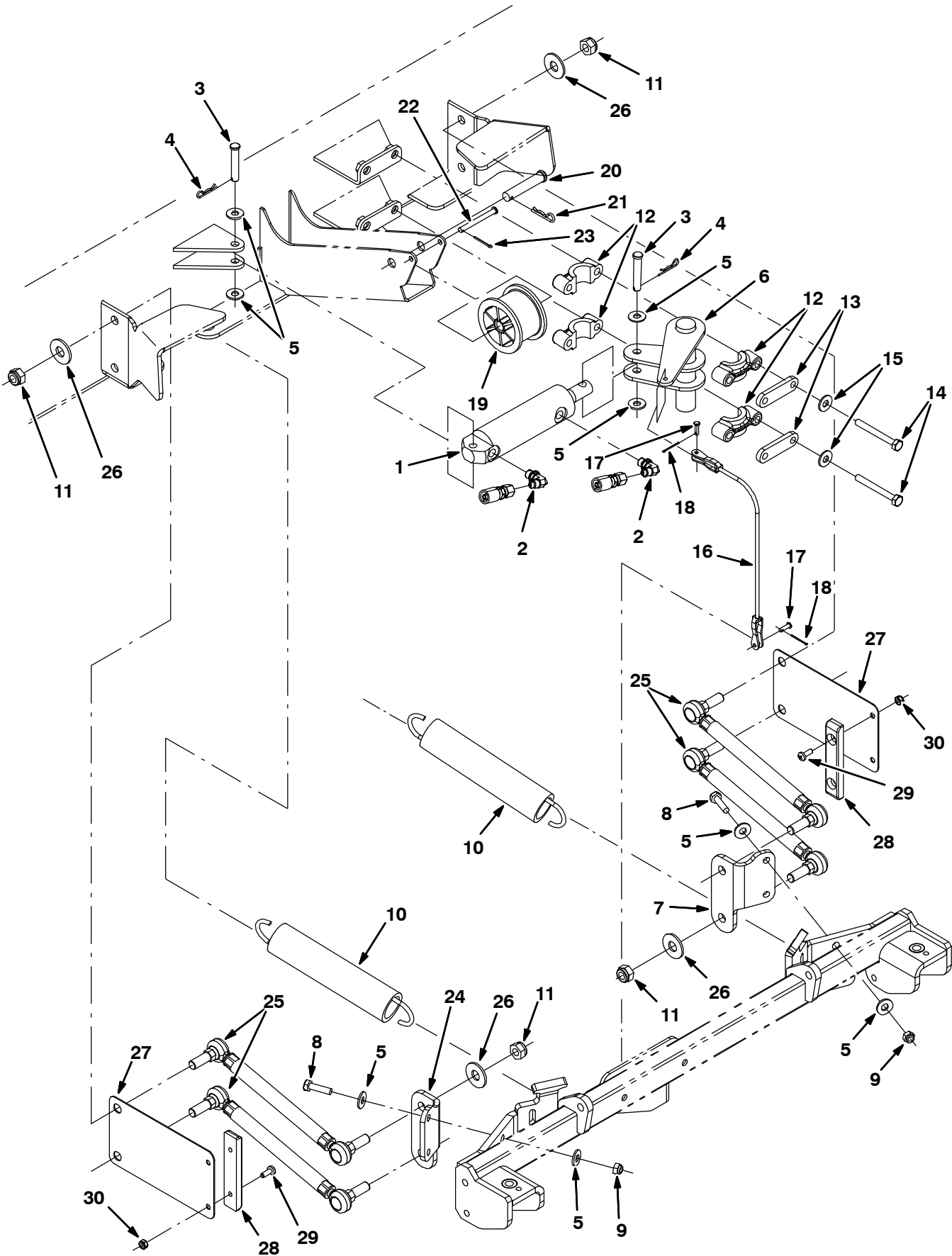


Fig. 43 - Rear Squeegee Lift Group

Ref.	Part No.	Serial Number	Description	Qty.	
1	379030	(000000-) Cylinder, Hyd, 1.5b,07.8l,02.80strk,2500	1	
2	77097	(000000-) Fitting, Hyd, E90, Jm04/Om04	2	
3	29584	(000000-) Pin, Clevis, 0.37d X 2.00l	2	
4	86866	(000000-) Pin, Cotter, Hair, 0.38d .072 Wir	2	
5	01685	(000000-) Washer, Flat, 0.31, Ss	12	
6	1022903	(000000-) Shaft Wldt, Arm, Lift	1	
7	1026804	(000000-) Angle, Protector, Lh	1	
8	09011	(000000-) Screw, Hex, M8 X 1.25 X 30, Ss	4	
9	08713	(000000-) Nut, Hex, Lock, M8 X 1.25, NI, Ss	4	
10	71100	(000000-) Spring, Extn, 1.69od X 0.20wir, 9.5l	2	
11	09741	(000000-) Nut, Hex, Lock, M12 X 1.75, NI, Ss	8	
12	381502	(000000-) Bearing, Split, 1.00b	4	
13	382224	(000000-) Plate, Sppt	2	
14	09767	(000000-) Screw, Hex, M8 X 1.25 X 70, Ss	4	
15	32491	(000000-) Washer, Flat, 0.31, Std	4	
16	71101	(000000-) Cable, Ss .12d 013.3l .2clevis /.2clevis	1	
17	77488	(000000-) Pin, Clevis, 0.19d X 0.63l	2	
18	39005	(000000-) Pin, Cotter, .094X0.75	2	
19	223054	(000000-) Drum, Cable, Lift	1	
20	06279	(000000-) Pin, Clevis, 0.50d X 2.50l	1	
21	08179	(000000-) Pin, Cotter, .094 X 1.00	1	
22	04733-10	(000000-) Pin, Clevis, 0.25d X 2.44l	1	
23	08178	(000000-) Pin, Cotter, .062 X 0.75	1	
24	1026806	(000000-) Angle, Protector, Rh	1	
25	1026007	(000000-) Link Assy, Rod-End, M12	4	
26	41619	(000000-) Washer, Flat, 0.56b 1.38d .11, Ss	8	
▽	9003060	(000000-) Spring Kit, Flat, Replmt [T20]	1	
▲	27	1028049	(000000-) Spring, Flat, .06 X 4.13 X 6.5l 4 Hole	2
▲	28	1024648	(000000-) Block, Centering	4
▲	29	367770	(000000-) Screw, Pan, M6 X 1.0 X 16, Ss	4
▲	30	08712	(000000-) Nut, Hex, Lock, M6 X 1.00, Ss, NI	4

Fig. 44 - Cylindrical Scrub Head Debris Tray Mount Group

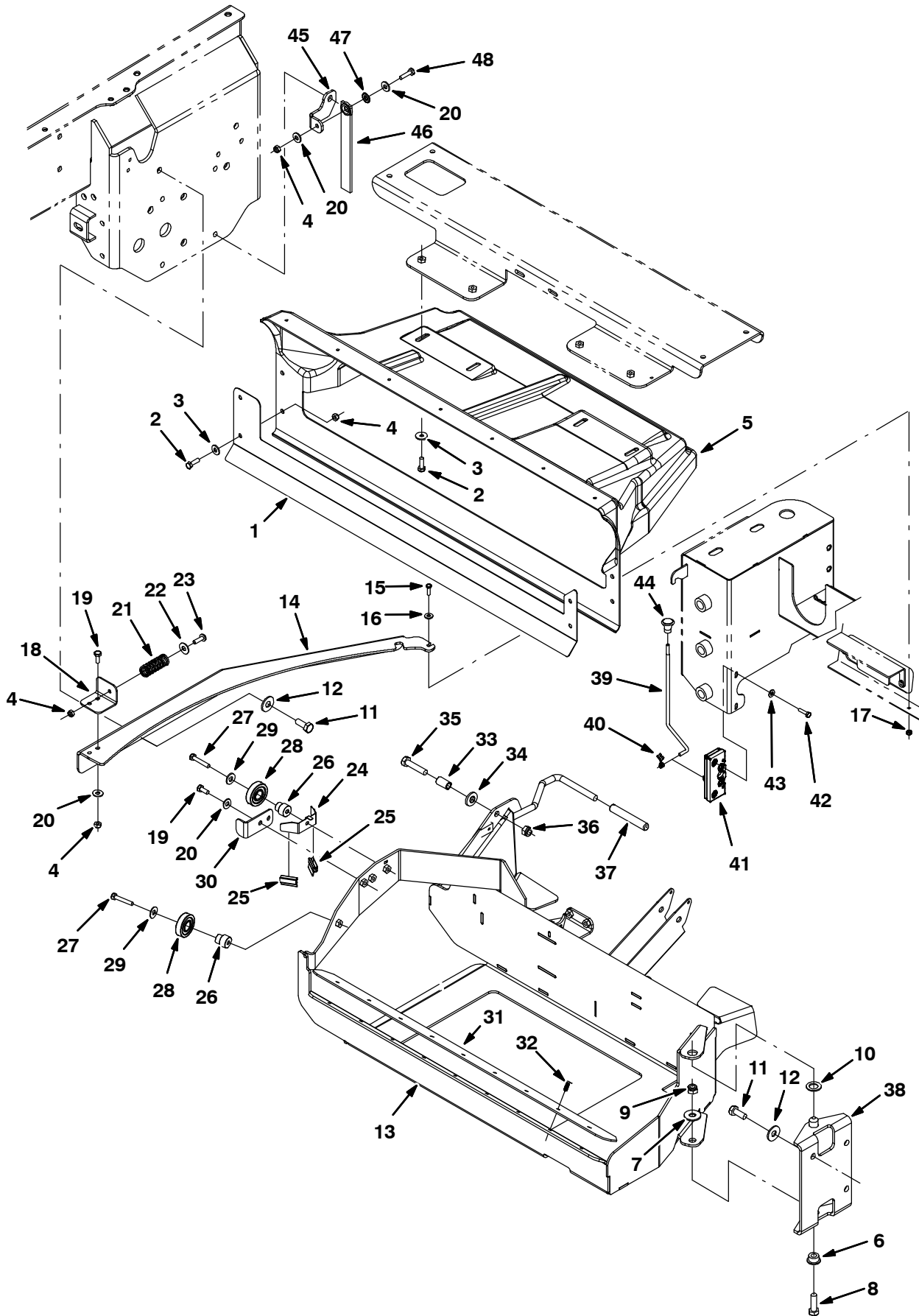


Fig. 44 - Cylindrical Scrub Head Debris Tray Mount Group

Ref.	Part No.	Serial Number	Description	Qty.
▽	9003059	(000000-) Shield Kit, Debris, Replmt [T20]	1
▲	1 1028334	(000000-) Bracket, Sppt, Shield	1
▲	2 09010	(000000-) Screw, Hex, M8 X 1.25 X 25, Ss	8
▲	3 1017218	(000000-) Washer, Flat, 0.32b 1.00d .12, Ss	8
▲	4 08713	(000000-) Nut, Hex, Lock, M8 X 1.25, NI, Ss	8
▲	5 1024658	(000000-) Shield, Tray, Debris [Trimmed]	1
	6 391804	(000000-) Sleeve, Flng, 0.48b 1.25/0.88d 0.6l, Stl	1
	7 32493	(000000-) Washer, Flat, 0.50, Std	1
	8 09029	(000000-) Screw, Hex, M12 X 1.75 X 40, Ss	1
	9 09741	(000000-) Nut, Hex, Lock, M12 X 1.75, NI, Ss	1
	10 53782	(000000-) Bearing, Thrust, 0.75b 1.25d 0.06w	1
	11 12309	(000000-) Screw, Hex, M12 X 1.75 X 30, Ss	6
	12 32493	(000000-) Washer, Flat, 0.50, Std	6
	13 1023334	(000000-) Frame Wldt, Hppr	1
	14 1022683	(000000-) Guide, Rlr	1
	15 08716	(000000-) Screw, Hex, M6 X 1.0 X 20, Ss	1
	16 01684	(000000-) Washer, Flat, 0.25, Ss	1
	17 08712	(000000-) Nut, Hex, Lock, M6 X 1.00, Ss, NI	1
	18 1027108	(000000-) Bracket, Spring	1
	19 09740	(000000-) Screw, Hex, M8 X 1.25 X 20, Ss	4
	20 01685	(000000-) Washer, Flat, 0.31, Ss	6
	21 45261	(000000-) Spring, Cmpr, 0.97od .11wir 2.5l	1
	22 01686	(000000-) Washer, Flat, 0.44b 1.00d .08, Ss	1
	23 367771	(000000-) Screw, Pan, M8 X 1.25 X 25, Ss	1
	24 1027147	(000000-) Clip, Wiper	1
	25 1031351	(000000-) Seal, Wiper	2
	26 1023685	(000000-) Spacer, Rlr	2
	27 222505	(000000-) Screw, Hex, M8 X 1.25 X 45, Ss	2
	28 760740	(000000-) Bearing, Rlr, Cam 52 X 14 X 20	2
	29 1017218	(000000-) Washer, Flat, 0.32b 1.00d .12, Ss	2
	30 1027143	(000000-) Bracket, Angle, Stop	1
▽	31 9003058	(000000-) Lip Kit, Debris, Replmt [T20]	1
▲	32 21168	(000000-) Clip, .250h, Plstc [Pine-Tree]	9
	33 1039348	(000000-) Sleeve, 0.49b 0.68d 1.2l [304ss]	1
	34 36328	(000000-) Washer, Flat, Belleville, .50	1
	35 379870	(000000-) Screw, Hex, M12 X 1.75 X 55, Ss	1
	36 09741	(000000-) Nut, Hex, Lock, M12 X 1.75, NI, Ss	1
	37 1028249	(000000-) Grip, Handle, .50d 4.0l Yel	1
	38 1022668	(000000-) Bracket Wldt, Pivot	1
	39 1023917	(000000-) Rod, Latch	1
	40 1031305	(000000-) Clip, Retainer, .25d	1
	41 21623	(000000-) Latch	1
	42 09007	(000000-) Screw, Hex, M6 X 1.0 X 25, Ss	2
	43 41185	(000000-) Washer, Flat, Belleville, .25	2
	44 1032546	(000000-) Knob, Rnd, 1.04d 1.18l .25-20 Yel Plstc	1
	45 1031152	(000000-) Bracket, Mtg, Static Strap	1
	46 71579	(000000-) Strap, Static, .19 1.1w 25.0l W/ Grommet	1
	47 41141	(000000-) Washer, Lock, Int-Ext, 0.31	1
	48 09011	(000000-) Screw, Hex, M8 X 1.25 X 30, Ss	1

Fig. 45 - Cylindrical Scrub Head Debris Tray Group

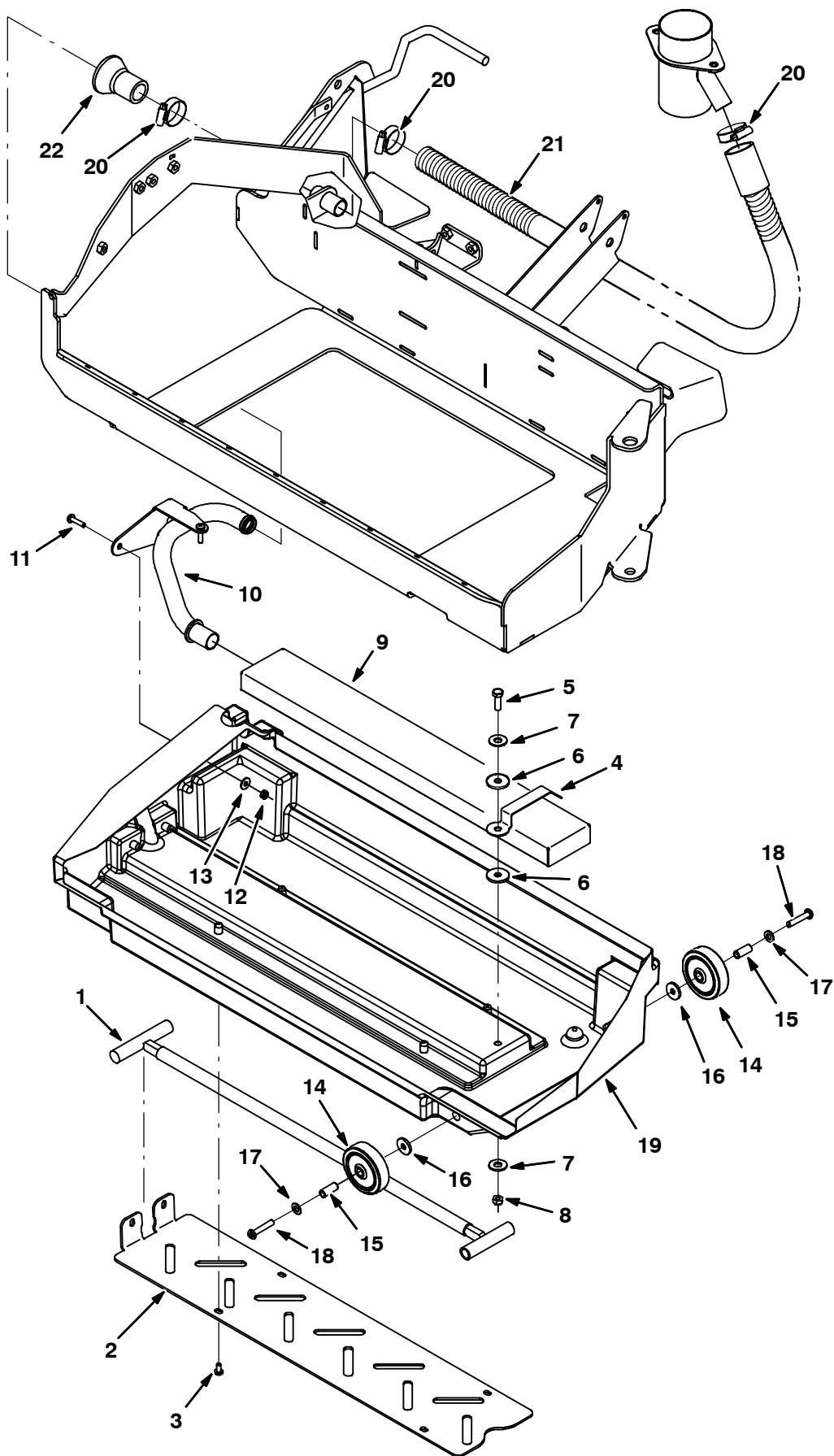


Fig. 45 - Cylindrical Scrub Head Debris Tray Group

Ref.	Part No.	Serial Number	Description	Qty.
▽	9003055	(000000-) Tray Kit, Debris, Replmt [T20]	1
▲	1 1026417	(000000-) Handle Wldt, T, Hpr	1
▲	2 1026195	(000000-) Panel, Access, Debris Tray	1
▲	3 74027	(000000-) Screw, Pan, M6 X 1.0 X 12, Ss, NI	6
▲	4 1026900	(000000-) Spring, Flat, Retainer, Screen	1
▲	5 09010	(000000-) Screw, Hex, M8 X 1.25 X 25, Ss	1
▲	6 222268	(000000-) Washer, Flat, 0.38b 1.25d .12, Neo	2
▲	7 01686	(000000-) Washer, Flat, 0.44b 1.00d .08, Ss	2
▲	8 08713	(000000-) Nut, Hex, Lock, M8 X 1.25, NI, Ss	1
▲	9 1024309	(000000-) Strainer Wldt, Trough, Debris 4.3w 15.L	1
▲	10 1026831	(000000-) Tube Wldt, Vacuum	1
▲	11 1019526	(000000-) Screw, Pan, M6 X 1.0 X 25, Ss	3
▲	12 08712	(000000-) Nut, Hex, Lock, M6 X 1.00, Ss, NI	3
▲	13 01684	(000000-) Washer, Flat, 0.25, Ss	3
▲	14 81582	(000000-) Wheel, 3.0d 0.87w 0.44b, Rbr, Pp Core	2
▲	15 393129	(000000-) Sleeve, P/M, 0.31B 0.44D 1.2L [430Ss]	2
▲	16 1017218	(000000-) Washer, Flat, 0.32b 1.00d .12, Ss	2
▲	17 39349	(000000-) Washer, Flat, 0.31, Sae	2
▲	18 397826	(000000-) Screw, Btn, M8 X 1.25 X 40, Ss	2
▲	19 1024450	(000000-) Tray, Debris, Trimmed	1
	20 11399	(000000-) Clamp, Hose, Wormdrive, 0.81-1.50d, .50w	3
	21 1040098	(000000-) Hose Assy, W/1cuff, 1.0d, 030l 1.25/	1
	22 1023063	(000000-) Coupling, Tube, Vacuum	1

Fig. 46 - Squeegee Group, Rear

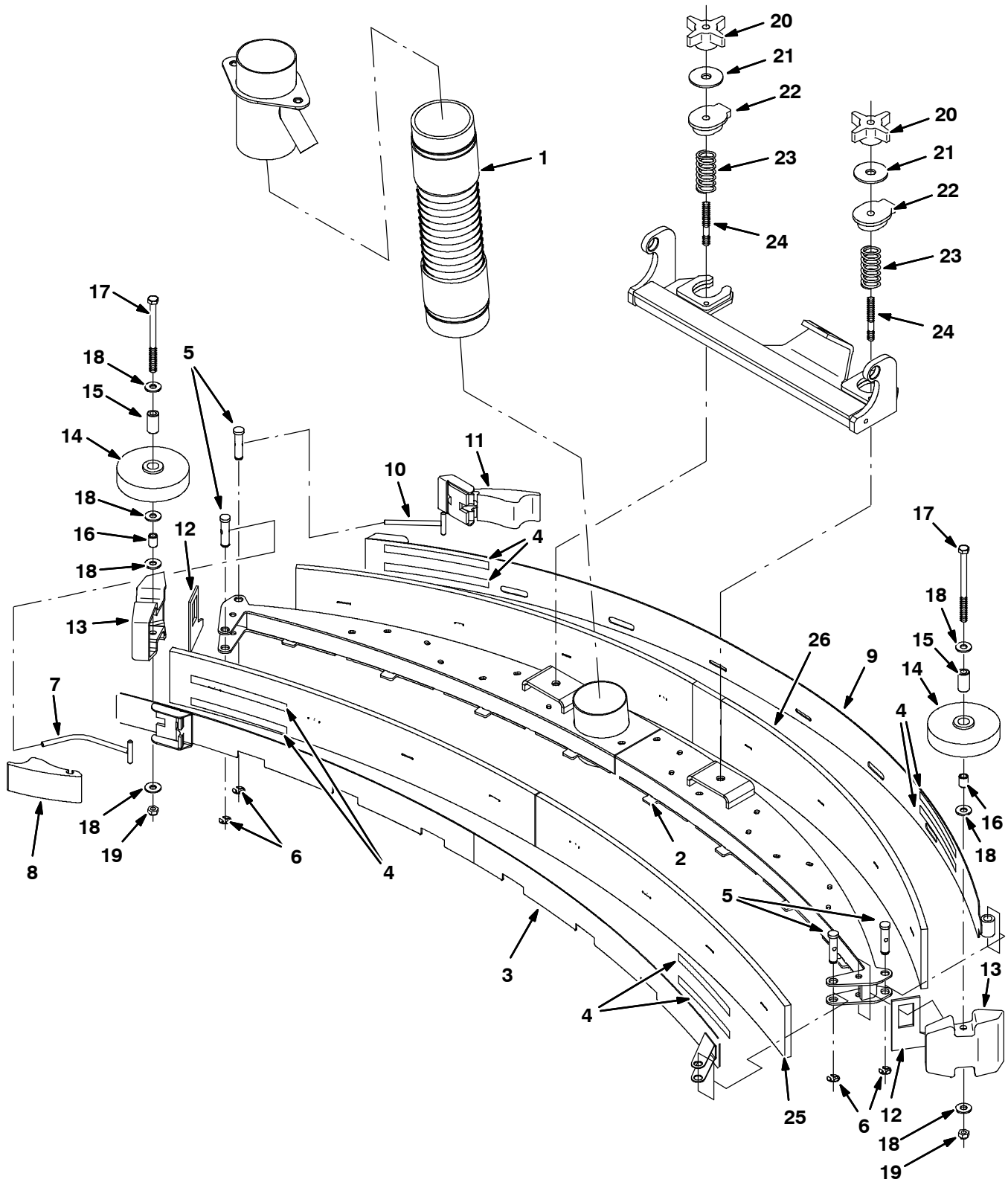


Fig. 46 - Squeegee Group, Rear

Ref.	Part No.	Serial Number	Description	Qty.
	1	1028236	(000000-) Hose Assy, W/2cuff, 3.0d 14l 3.0/3.0	1
▽	9004493	(000000-)	Squeegee Kit, Rear, Replmt [M20/T20]	1
▲	2	1022831	(000000-) Squeegee Wldt, Rear	1
▲	3	1023239	(000000-) Clamp Wldt, Front	1
▲	4	03495	(000000-) Strip, Non-Slip, 0.50w 06.0l	8
▲	5	21603	(000000-) Pin, Grvd, 0.43d 01.8l [303ss]	4
▲	6	24555	(000000-) Ring, Retaining, Ext, 0.38d, [E-Ring]	4
▲	7	386298	(000000-) Pin Wldt, Front	1
▲	8	21601	(000000-) Cam	1
▲	9	1028374	(000000-) Clamp Wldt, Rear	1
▲	10	21606	(000000-) Bar Wldt, Retainer, Sqge, Rear	1
▲	11	21602	(000000-) Cam, Rear	1
▲	12	83874	(000000-) Gasket, Sqge	2
▲	13	386264	(000000-) Bumper, Sqge	2
▲	14	363162	(000000-) Wheel, 4.0d 0.89w 0.64b	2
▲	15	363301	(000000-) Sleeve, P/M, 0.34b 0.63d 1.2l, Bnz	2
▲	16	80395	(000000-) Sleeve, P/M, 0.31b 0.50d 0.7l [430ss]	2
▲	17	364441	(000000-) Screw, Hex, M8 X 1.25 X 110, Ss	2
▲	18	01685	(000000-) Washer, Flat, 0.31, Ss	10
▲	19	08713	(000000-) Nut, Hex, Lock, M8 X 1.25, NI, Ss	2
	20	370100	(000000-) Knob, Star, 2.80d 4ear 1.1l .31-18 Pyp	2
	21	04414	(000000-) Washer, Flat, 0.53b 1.88d .12, Stl, Pl	2
	22	387433	(000000-) Ring, Mtg, Sqge, .50l	2
	23	387500	(000000-) Spring, Cmpr, 0.9od .042wir 02.0l	2
	24	387237	(000000-) Stud, .31-18 2.75l M8 X 1.25, Ss	2
	25	1027719	(000000-) Blade, Sqge, Front, 49.58l Ure (Option)	1
	25	1017868	(000000-) Blade, Sqge, Front, 49.58l Linatex	1
	26	1031945	(000000-) Blade, Sqge, Rear, 53.78l Ure (Option)	1
	26	1031331	(000000-) Blade, Sqge, Rear, Linatex	1

Fig. 47 - Squeegee Linkage Group, Rear

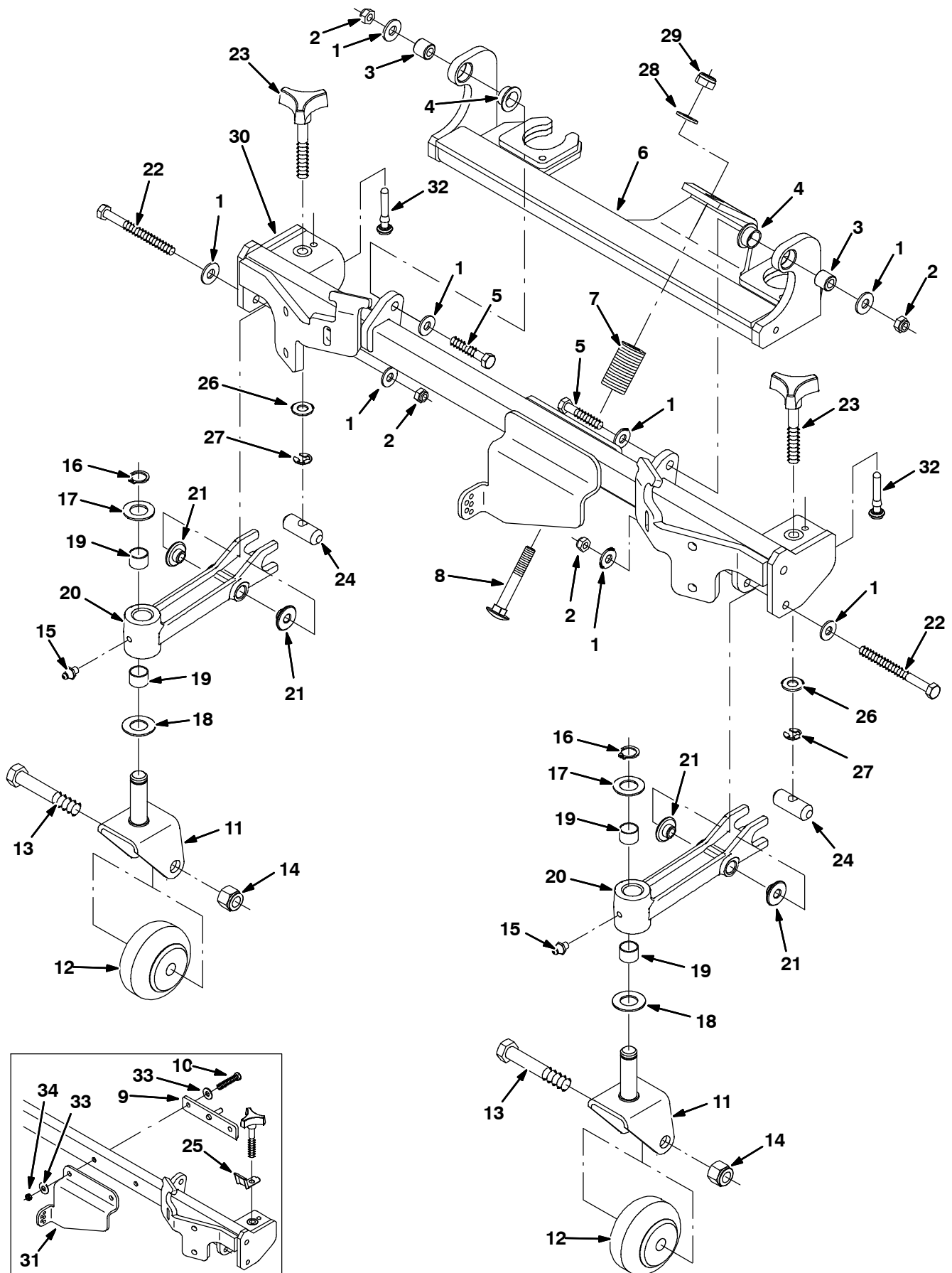


Fig. 47 - Squeegee Linkage Group, Rear

Ref.	Part No.	Serial Number	Description	Qty.
1	01685	(000000-) Washer, Flat, 0.31, Ss	6
2	08713	(000000-) Nut, Hex, Lock, M8 X 1.25, NI, Ss	4
3	80409	(000000-) Sleeve, P/M, 0.34b 0.63d 0.6l, Bnz	2
4	25735	(000000-) Bushing, Fling, 0.63b 0.75d 0.38l	2
5	222505	(000000-) Screw, Hex, M8 X 1.25 X 45, Ss	2
6	1023476	(000000-) Bracket Wldt, Mtg, Sqge	1
7	65180	(000000-) Spring, Dsl, 1.00od 0.50id 1.7l	1
8	1025601	(000000-) Bolt, Carriage, M10 X 1.5 X 70	1
9	1034147	(000000-001524) Pin Wldt, Lift (Replaced By 9003478)	1
10	222505	(000000-001524) Screw, Hex, M8 X 1.25 X 45, Ss	2
11	1021404	(000000-) Bracket Wldt, Mtg, Caster	2
12	20833	(000000-) Wheel, 3.0d 1.38w 0.50b	2
13	81952	(000000-) Screw, Hex, .50-13 X 3.00, Ss18-8	2
14	02931	(000000-) Nut, Hex, Lock, .50-13, NI, Ss	2
15	07259	(000000-) Fitting, Grease, Str Pm04 .47l	2
16	33373	(000000-) Ring, Retaining, Ext, 0.62d, Hd	2
17	63468	(000000-) Washer, Flat, 0.69b 1.19d .06, Stl, Pl	2
18	64425	(000000-) Washer, Thrust, 0.61b 1.25d .06, Fgl	2
19	07449	(000000-) Bushing, Sleeve, 0.62b 0.72d 0.50l, Fgl	4
20	1025460	(000000-) Caster, Pivot	2
21	80950	(000000-) Bushing, Fling, 0.32b 0.50d 0.24l, Bnz	4
22	39281	(000000-) Screw, Hex, M8 X 1.25 X 90, 8.8	2
23	1021546	(000000-) Knob Assy, Star, 1.12d 3ear M10	2
24	1021497	(000000-) Pin, 0.63d 01.8l, 1/M10h, 2cham	2
25	1022545	(000000-001508) Spring, Keeper	2
26	32485	(000000-) Washer, Flat, 0.38 Sae	2
27	24555	(000000-) Ring, Retaining, Ext, 0.38d, [E-Ring]	2
28	32492	(000000-) Washer, Flat, 0.38 Std	1
29	08714	(000000-) Nut, Hex, Lock, M10 X 1.5, NI, Ss	1
30	1034282	(000000-) Crossmember Wldt, Lift	1
31	1025178	(000000-001524) Bracket, Lift, Sqge	1
32	1035727	(001509-) Stop, Rotation	1
33	01685	(000000-001524) Washer, Flat, 0.38b 0.88d .08, Ss	4
34	08713	(000000-001524) Nut, Hex, Lock, M8 X 1.25, NI, Ss	2

Fig. 48 - Cylindrical Scrub Head Squeegee Group, Right Side

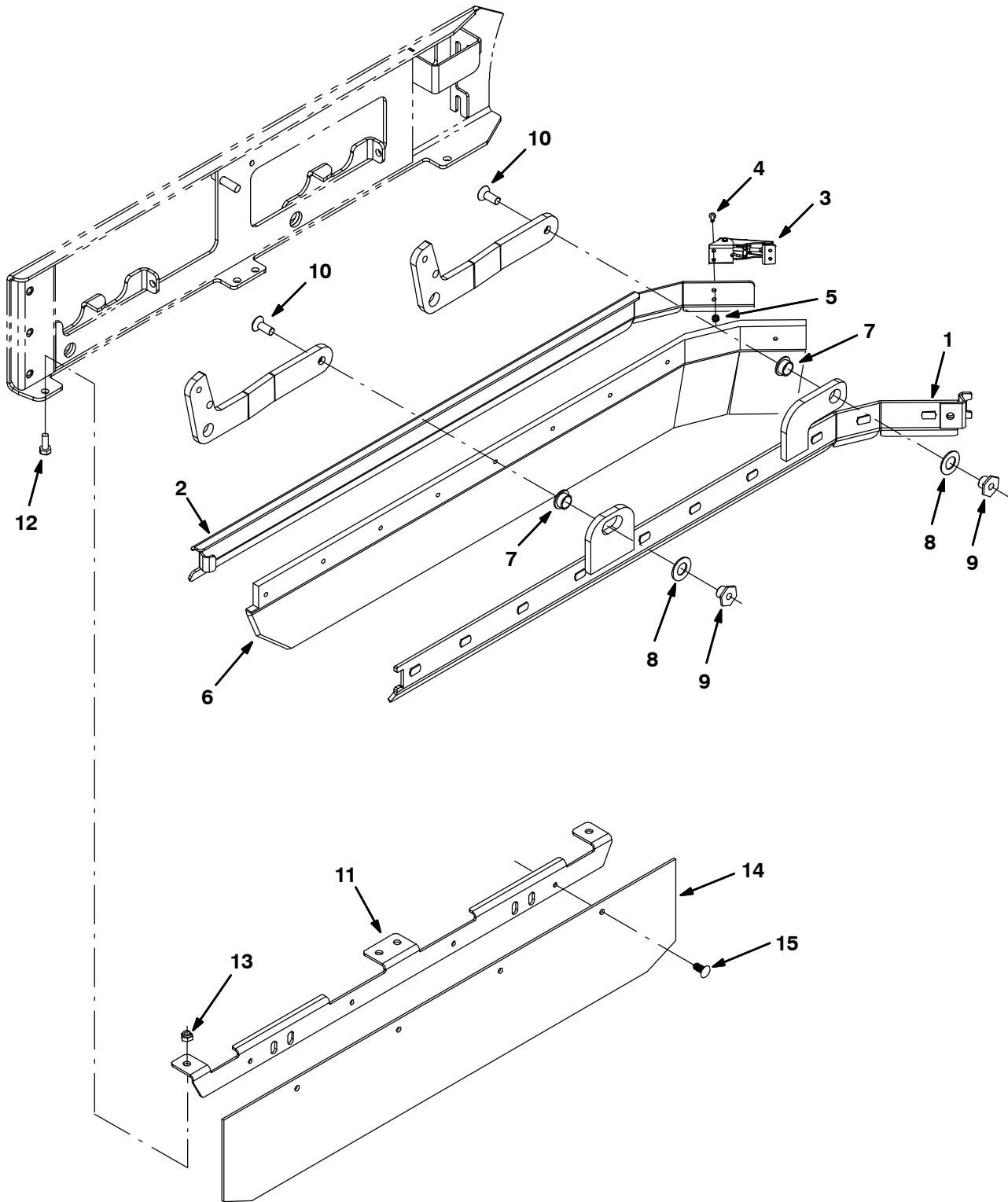


Fig. 48 - Cylindrical Scrub Head Squeegee Group, Right Side

Ref.	Part No.	Serial Number	Description	Qty.
1	1029132	(000000-) Frame Wldt, Sqge, Rh	1
2	1029128	(000000-) Retainer, Sqge, Side, Rh	1
3	384418	(000000-) Latch, Door [Southco 91-562-07]	1
4	49697	(000000-) Screw, Pan, M4 X 0.7 X 10, Ss	2
5	33932	(000000-) Nut, Hex, Lock, M4 X 0.7, NI, Ss	2
6	1031011	(000000-) Blade, Sqge, .38 3.55w 038.3l, Linatex	1
6	1031823	(000000-) Blade, Sqge, .38 3.55w 038.3l, Ure (Option)	1
7	25735	(000000-) Bushing, Flng, 0.63b 0.75d 0.38l	2
8	64425	(000000-) Washer, Thrust, 0.61b 1.25d .06, Fgl	2
9	1022846	(000000-) Nut, T, M10 X 1.50 X 15.8od X 13.0l	2
10	09081	(000000-) Screw, Flt, M10 X 1.5 X 25, 10.9	2
11	1025151	(000000-) Bracket, Mtg, Skirt, Door, Brush	1
12	393135	(000000-) Screw, Btn, M8 X 1.25 X 20, Blk	4
13	08713	(000000-) Nut, Hex, Lock, M8 X 1.25, NI, Ss	4
▽	14	9003057	(000000-) Shield Kit, Side, Replmt [T20]	1
▲	15	21168	(000000-) Clip, .250h, Plstc [Pine-Tree]	4

Fig. 49 - Squeegee Lift Group, Right Side

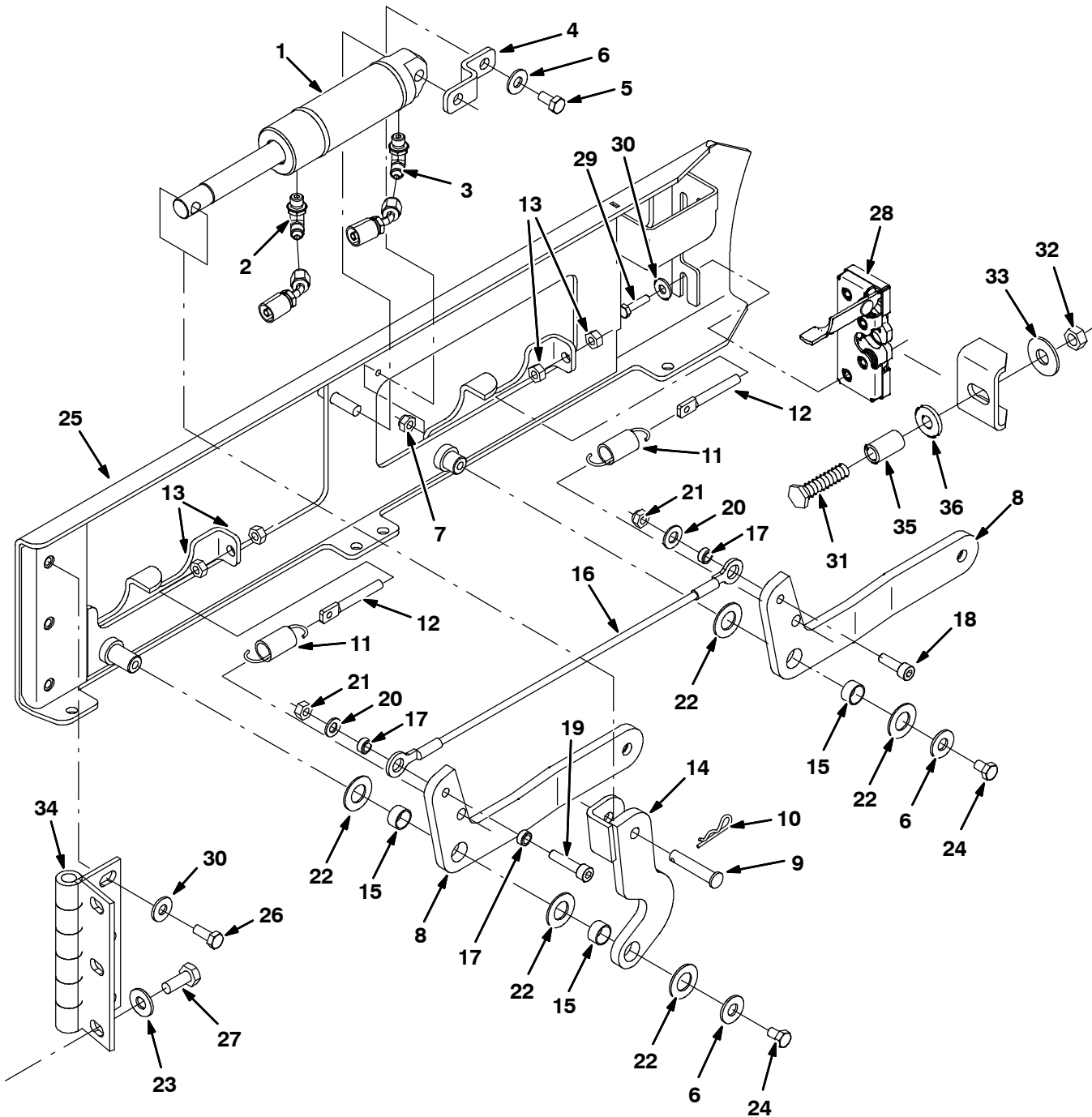


Fig. 49 - Squeegee Lift Group, Right Side

Ref.	Part No.	Serial Number	Description	Qty.
1	1038137	(000000-) Cylinder, Hyd, 1.5b 07.8l 02.80strk 2500	1
2	77097	(000000-) Fitting, Hyd, E90, Jm04/Om04	1
3	1028635	(000000-) Fitting, Hyd, Rst, Spcl	1
4	1022825	(000000-) Bracket, Mtg, Cyl	1
5	08716	(000000-) Screw, Hex, M6 X 1.00 X 20, Ss	1
6	01685	(000000-) Washer, Flat, 0.31, Ss	3
7	08713	(000000-) Nut, Hex, Lock, M8 X 1.25, NI, Ss	1
8	1020548	(000000-) Arm, Sqge, Side, Rh	2
9	17461	(000000-) Pin, Clevis, 0.37D X 1.75L	1
10	08182	(000000-) Pin, Cotter, .125 X 1.00	1
11	87816	(000000-) Spring, Extn, 0.75od X 0.09wir, 2.5l	2
12	386088	(000000-) Bolt, Eye, M08 X 1.25 X 070mm, 05.50 Eye	2
13	07786	(000000-) Nut, Hex, Std, M8 X 1.25, Ss	4
14	1023306	(000000-) Arm Wldt, Sqge, Lift, Rh	1
15	71607	(000000-) Bushing, Sleeve, 0.63b 0.72d 0.38l	3
16	81784	(000000-) Cable, Glv .13d 015.8l .50eye /.50eye	1
17	360801	(000000-) Sleeve, 0.31b 0.50d 0.3l, Ss	3
18	39308	(000000-) Screw, Soc, M8 X 1.25 X 25, 12.9	1
19	41445	(000000-) Screw, Soc, M8 X 1.25 X 35, 12.9	1
20	39349	(000000-) Washer, Flat, 0.31 Sae	2
21	08709	(000000-) Nut, Hex, Lock, M8 X 1.25, NI	2
22	64425	(000000-) Washer, Thrust, 0.61b 1.25d .06, Fgl	5
23	41187	(000000-) Washer, Flat, Belleville, .38	3
24	09740	(000000-) Screw, Hex, M8 X 1.25 X 20, Ss	2
25	1019031	(000000-) Door Wldt, Brush, Rh	1
26	09028	(000000-) Screw, Hex, M10 X 1.5 X 25, Ss	3
27	09740	(000000-) Screw, Hex, M8 X 1.25 X 20, Ss	3
28	59194	(000000-) Latch, Hook	1
29	09007	(000000-) Screw, Hex, M6 X 1.0 X 25, Ss	2
30	41185	(000000-) Washer, Flat, Belleville, .25	5
31	379870	(000000-) Screw, Hex, M12 X 1.75 X 55, Ss	1
32	07788	(000000-) Nut, Hex, Std, M12 X 1.75, Ss	1
33	41619	(000000-) Washer, Flat, 0.56b 1.38d .11, Ss	1
34	1024576	(000000-) Hinge, .50pin .19 4.0w 06.0l 3/0.44sl	1
35	36328	(000000-) Washer, Flat, Belleville, .50	1
36	1039348	(000000-) Sleeve, 0.49b 0.68d 1.2l [304ss]	1

Fig. 50 - Cylindrical Scrub Head Squeegee Group, Left Side

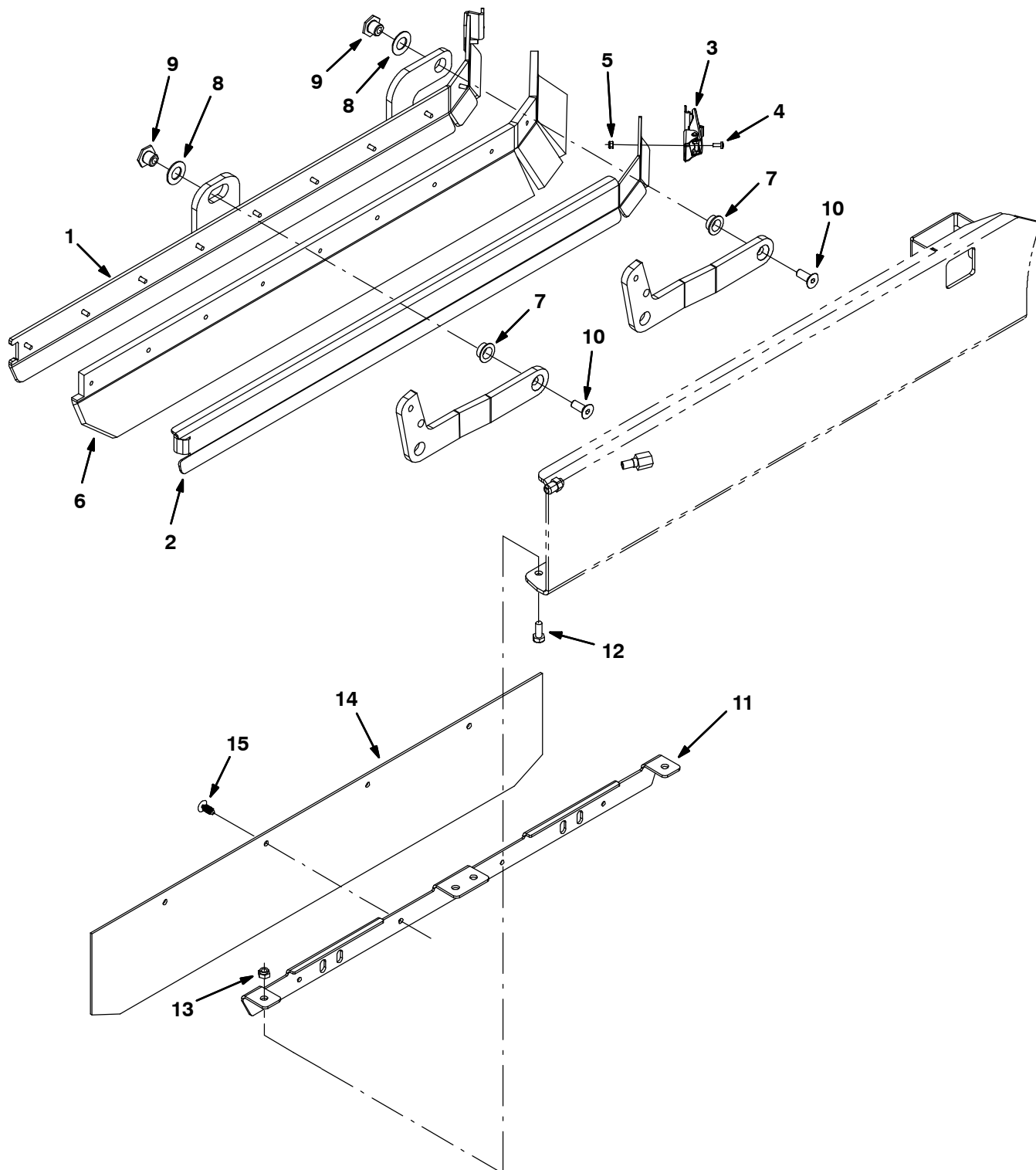


Fig. 50 - Cylindrical Scrub Head Squeegee Group, Left Side

Ref.	Part No.	Serial Number	Description	Qty.	
1	1028972	(000000-) Frame Wldt, Sqge, Lh	1	
2	1028979	(000000-) Retainer, Sqge, Side, Lh	1	
3	384418	(000000-) Latch, Door [Southco 91-562-07]	1	
4	49697	(000000-) Screw, Pan, M4 X 0.7 X 10, Ss	2	
5	33932	(000000-) Nut, Hex, Lock, M4 X 0.7, NI, Ss	2	
6	1031011	(000000-) Blade, Sqge, 37.08l Linatex	1	
6	1031823	(000000-) Blade, Sqge, .38 3.55w 038.3l, Ure (Option)	1	
7	25735	(000000-) Bushing, Flng, 0.63b 0.75d 0.38l	2	
8	64425	(000000-) Washer, Thrust, 0.61b 1.25d .06, Fgl	2	
9	1022846	(000000-) Nut, T, M10 X 1.50 X 15.8od X 13.0l	1	
10	09081	(000000-) Screw, Flt, M10 X 1.5 X 25, 10.9	2	
11	1025151	(000000-) Bracket, Mtg, Skirt, Door, Brush	1	
12	393135	(000000-) Screw, Btn, M8 X 1.25 X 20, Blk	4	
13	08713	(000000-) Nut, Hex, Lock, M8 X 1.25, NI, Ss	4	
▽	14	9003057	(000000-) Shield Kit, Side, Replmt [T20]	1
▲	15	21168	(000000-) Clip, .250h, Plstc [Pine-Tree]	4

Fig. 51 - Squeegee Lift Group, Left Side

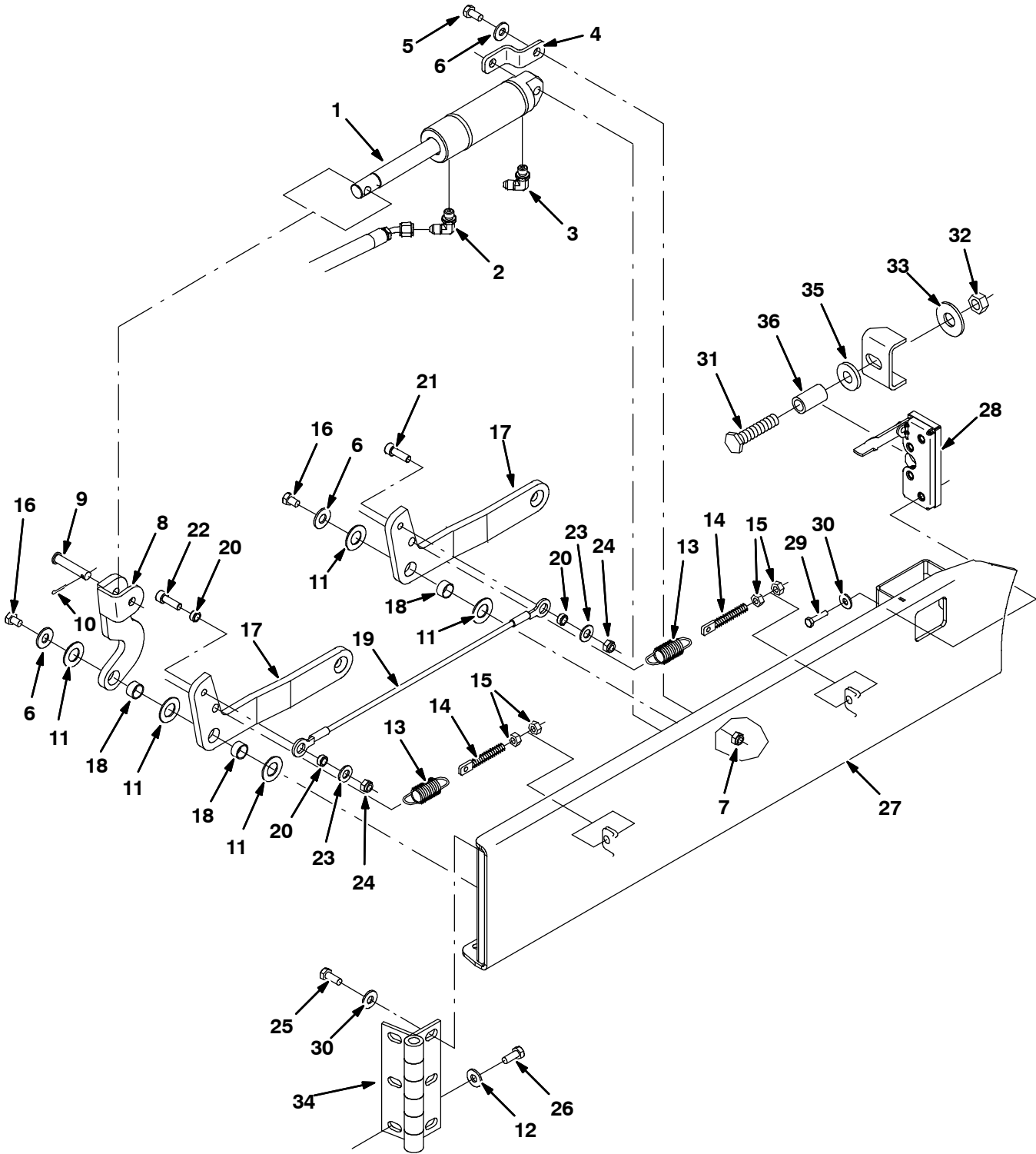


Fig. 51 - Squeegee Lift Group, Left Side

Ref.	Part No.	Serial Number	Description	Qty.
1	1038137	(000000-) Cylinder, Hyd, 1.5b 07.8l 02.80strk 2500	1
2	77097	(000000-) Fitting, Hyd, E90, Jm04/Om04	1
3	1028635	(000000-) Fitting, Hyd, Rst, Spcl	1
4	1022825	(000000-) Bracket, Mtg, Cyl	1
5	08716	(000000-) Screw, Hex, M6 X 1.00 X 20, Ss	1
6	01685	(000000-) Washer, Flat, 0.31, Ss	3
7	08713	(000000-) Nut, Hex, Lock, M8 X 1.25, NI, Ss	1
8	1022978	(000000-) Arm Wldt, Lift, Sqge, Lh	1
9	17461	(000000-) Pin, Clevis, 0.37D X 1.75L	1
10	08182	(000000-) Pin, Cotter, .125 X 1.00	1
11	64425	(000000-) Washer, Thrust, 0.61b 1.25d .06, Fgl	5
12	41187	(000000-) Washer, Flat, Belleville, .38	3
13	87816	(000000-) Spring, Extn, 0.75od X 0.09wir, 2.5l	2
14	386088	(000000-) Bolt, Eye, M08 X 1.25 X 070mm, 05.50 Eye	2
15	07786	(000000-) Nut, Hex, Std, M8 X 1.25, Ss	4
16	09740	(000000-) Screw, Hex, M8 X 1.25 X 20, Ss	2
17	1023307	(000000-) Arm, Sqge, Side, Lh	2
18	71607	(000000-) Bushing, Sleeve, 0.63b 0.72d 0.38l	3
19	81784	(000000-) Cable, Glv .13d 015.8l .50eye /.50eye	1
20	360801	(000000-) Sleeve, 0.31b 0.50d 0.3l, Ss	3
21	39308	(000000-) Screw, Soc, M8 X 1.25 X 25, 12.9	1
22	41445	(000000-) Screw, Soc, M8 X 1.25 X 35, 12.9	1
23	39349	(000000-) Washer, Flat, 0.31 Sae	2
24	08709	(000000-) Nut, Hex, Lock, M8 X 1.25, NI	2
25	09028	(000000-) Screw, Hex, M10 X 1.5 X 25, Ss	3
26	09740	(000000-) Screw, Hex, M8 X 1.25 X 20, Ss	6
27	1023314	(000000-) Door Wldt, Brush, Lh	1
28	59195	(000000-) Latch, Hook	1
29	09007	(000000-) Screw, Hex, M6 X 1.0 X 25, Ss	2
30	41185	(000000-) Washer, Flat, Belleville, .25	5
31	379870	(000000-) Screw, Hex, M12 X 1.75 X 55, Ss	1
32	07788	(000000-) Nut, Hex, Std, M12 X 1.75, Ss	1
33	41619	(000000-) Washer, Flat, 0.56b 1.38d .11, Ss	1
34	1024576	(000000-) Hinge, .50pin .19 4.0w 06.0l 3/0.44sl	1
35	36328	(000000-) Washer, Flat, Belleville, .50	1
36	1039348	(000000-) Sleeve, 0.49b 0.68d 1.2l [304ss]	1

Fig. 52 - Solution Tank Group

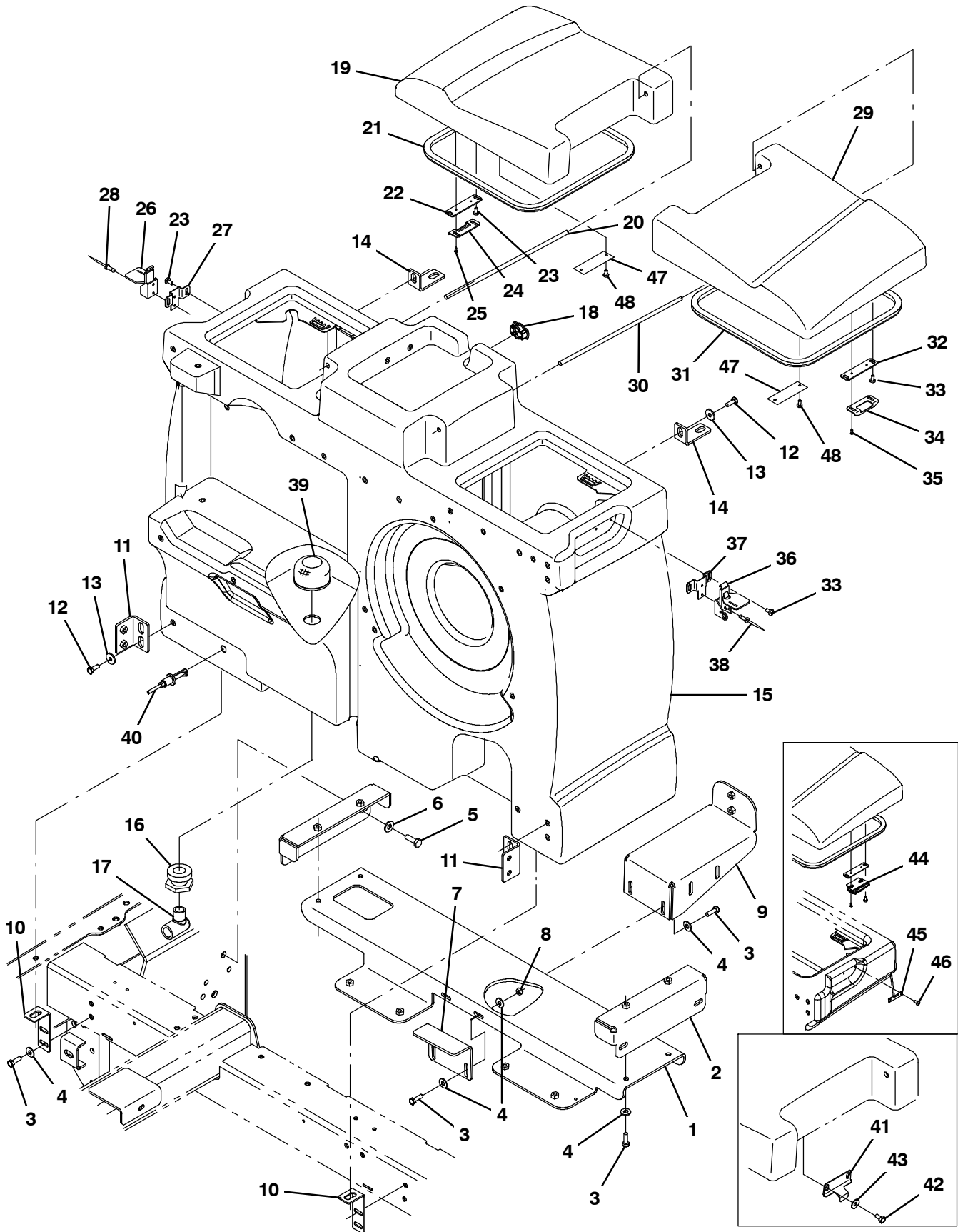


Fig. 52 - Solution Tank Group

Ref.	Part No.	Serial Number	Description	Qty.	
1	1023497	(000000-) Channel, Sppt, Tank	1	
2	1023493	(000000-) Bracket, Mtg, Tank	2	
3	09010	(000000-) Screw, Hex, M8 X 1.25 X 25, Ss	12	
4	32491	(000000-) Washer, Flat, 0.31, Std	14	
5	12317	(000000-) Screw, Hex, M10 X 1.5 X 30, Ss	4	
6	32492	(000000-) Washer, Flat, 0.38, Std	4	
7	1023508	(000000-) Bracket, Mtg, Tank	1	
8	08713	(000000-) Nut, Hex, Lock, M8 X 1.25, NI, Ss	2	
9	1023510	(000000-) Bracket, Mtg, Tank	1	
10	1024131	(000000-) Angle, Mtg, Stl, .12 4.2 2.0 01.4l	2	
11	1024175	(000000-) Angle, Mtg, Stl, .18 2.2 1.9 03.0l	2	
12	09740	(000000-) Screw, Hex, M8 X 1.25 X 20, Ss	6	
13	1017218	(000000-) Washer, Flat, 0.32b 1.00d .12, Ss	6	
14	1024217	(000000-) Angle, Mtg, Stl, .19 3.1 1.8 01.4l	2	
15	9004118	(000000-001683) Tank Kit, Soltn, W/ Bracket, Replmt	1	
15	1027426	(001684-) Tank, Soltn, W/ Label	1	
15	9002670	(001684-) Tank, Soltn, W/ Es [T20]	1	
16	377349	(000000-) Fitting, Plstc, Pf12/Pf12, Bh	1	
17	69785	(000000-) Fitting, Plstc, E90, Pf12/Pm12	1	
18	390994	(000000-) Plug, Hole, Soltn Tank, Blk Pyu	1	
▽	9003069	(000000-) Cover Kit, Soltn Tank, Rh [M20 & T20]	1	
▲	19	1022176	(000000-) Cover, Tank, Soltn, Rh, Trimmed	1
▲	20	1047098	(000000-) Bar, Rnd, Plstc, 0.31d 12.5l	1
▲	21	1038805	(000000-) Seal, Bulb, Str, .50Hi .50W 047.2L, Adh	1
▲	22	1039757	(001688-) Plate, Mtg, Latch	1
▲	23	382320	(000000-) Screw, Pan, Phl, 12-16 X 0.50, F/ Plstc	4
▲	24	1048474	(001928-) Catch, Latch, Tank Cover	1
▲	25	1045964	(001928-) Screw, Hex, M4 X 0.70 X 10, Fmg, Blk	2
▲	26	367949	(001928-) Latch	1
▲	27	1048512	(001928-) Bracket, Mtg, Latch, Tank Cover	1
▲	28	08875	(001928-) Rivet, Blind, .125d X 0.54 X .25d, Alm	2
▽	9003071	(000000-) Cover Kit, Tank, Soltn, Rh, Replmt, Ce (Japan and CE Only)	1	
▲	19	1031233	(000000-) Cover, Tank, Soltn, Rh, Trimmed, Ce (Japan and CE Only)	1
▲	20	1047098	(000000-) Bar, Rnd, Plstc, 0.31d 12.5l	1
▲	21	1038805	(000000-) Seal, Bulb, Str, .50Hi .50W 047.2L, Adh	1
▲	22	1039757	(002426-) Plate, Mtg, Latch	1
▲	23	382320	(000000-) Screw, Pan, Phl, 12-16 X 0.50, F/ Plstc	4
▲	24	1048474	(001928-) Catch, Latch, Tank Cover	1
▲	25	1045964	(001928-) Screw, Hex, M4 X 0.70 X 10, Fmg, Blk	2
▲	26	367949	(001928-) Latch	1
▲	27	1048512	(001928-) Bracket, Mtg, Latch, Tank Cover	1
▲	28	08875	(001928-) Rivet, Blind, .125d X 0.54 X .25d, Alm	2

(CONTINUED)

STANDARD PARTS

Fig. 52 - Solution Tank Group

Ref.	Part No.	Serial Number	Description	Qty.
▽	9003068	(000000-) Cover Kit, Tank, Soltn, Lh, Replmt	1
▲	29 1022182	(000000-) Cover, Tank, Soltn, Lh, Trimmed	1
▲	30 1047098	(000000-) Bar, Rnd, Plstc, 0.31d 12.5l	1
▲	31 1038805	(000000-) Seal, Bulb, Str, .50Hi .50W 047.2L, Adh	1
▲	32 1039757	(001688-) Plate, Mtg, Latch	1
▲	33 382320	(000000-) Screw, Pan, Phl, 12-16 X 0.50, F/ Plstc	4
▲	34 1048474	(001928-) Catch, Latch, Tank Cover	1
▲	35 1045964	(001928-) Screw, Hex, M4 X 0.70 X 10, Fmg, Blk	2
▲	36 367949	(001928-) Latch	1
▲	37 1048512	(001928-) Bracket, Mtg, Latch, Tank Cover	1
▲	38 08875	(001928-) Rivet, Blind, .125d X 0.54 X .25d, Alm	2
▽	9003070	(000000-) Cover Kit, Tank, Soltn, Lh, Replmt, Ce (Japan and CE Only)	1
▲	29 1031235	(000000-) Cover, Tank, Soltn, Lh, Trimmed, Ce (Japan and CE Only)	1
▲	30 1047098	(000000-) Bar, Rnd, Plstc, 0.31d 12.5l	1
▲	31 1038805	(000000-) Seal, Bulb, Str, .50Hi .50W 047.2L, Adh	1
▲	32 1039757	(001688-) Plate, Mtg, Latch	1
▲	33 382320	(000000-) Screw, Pan, Phl, 12-16 X 0.50, F/ Plstc	4
▲	34 1048474	(001928-) Catch, Latch, Tank Cover	1
▲	35 1045964	(001928-) Screw, Hex, M4 X 0.70 X 10, Fmg, Blk	2
▲	36 367949	(001928-) Latch	1
▲	37 1048512	(001928-) Bracket, Mtg, Latch, Tank Cover	1
▲	38 08875	(001928-) Rivet, Blind, .125d X 0.54 X .25d, Alm	2
	39 1027290	(000000-) Filter, Soltn, 20mesh, Pm12 3.1d 02.6l	1
	40 385685	(000000-) Sensor, Level, Liq, 14vdc 01a .62-11	1
	41 1020428	(000000-001687)) Bracket, Latch, Cover	2
	42 09744	(000000-001687)) Screw, Hex, M6 X 1.00 X 12, Ss	4
	43 01684	(000000-001687)) Washer, Flat, 0.27b 0.69d .05, Ss	4
	44 1030617	(001688-001927)) Latch, Cover	2
	45 1029748	(001688-001927)) Bracket, Keeper, Latch	2
	46 382320	(001688-001927)) Screw, Pan, Phl, 12-16 X 0.50, F/ Plstc	4
	47 1017101	(000000-) Plate, Label, Soltn Tank (ec-H20 only)	2
	48 360973	(000000-) Screw, Pan, 12-16 X 0.50, F/ Plstc (ec-H20 only)	4

Fig. 53 - Solution Tank Drain Group

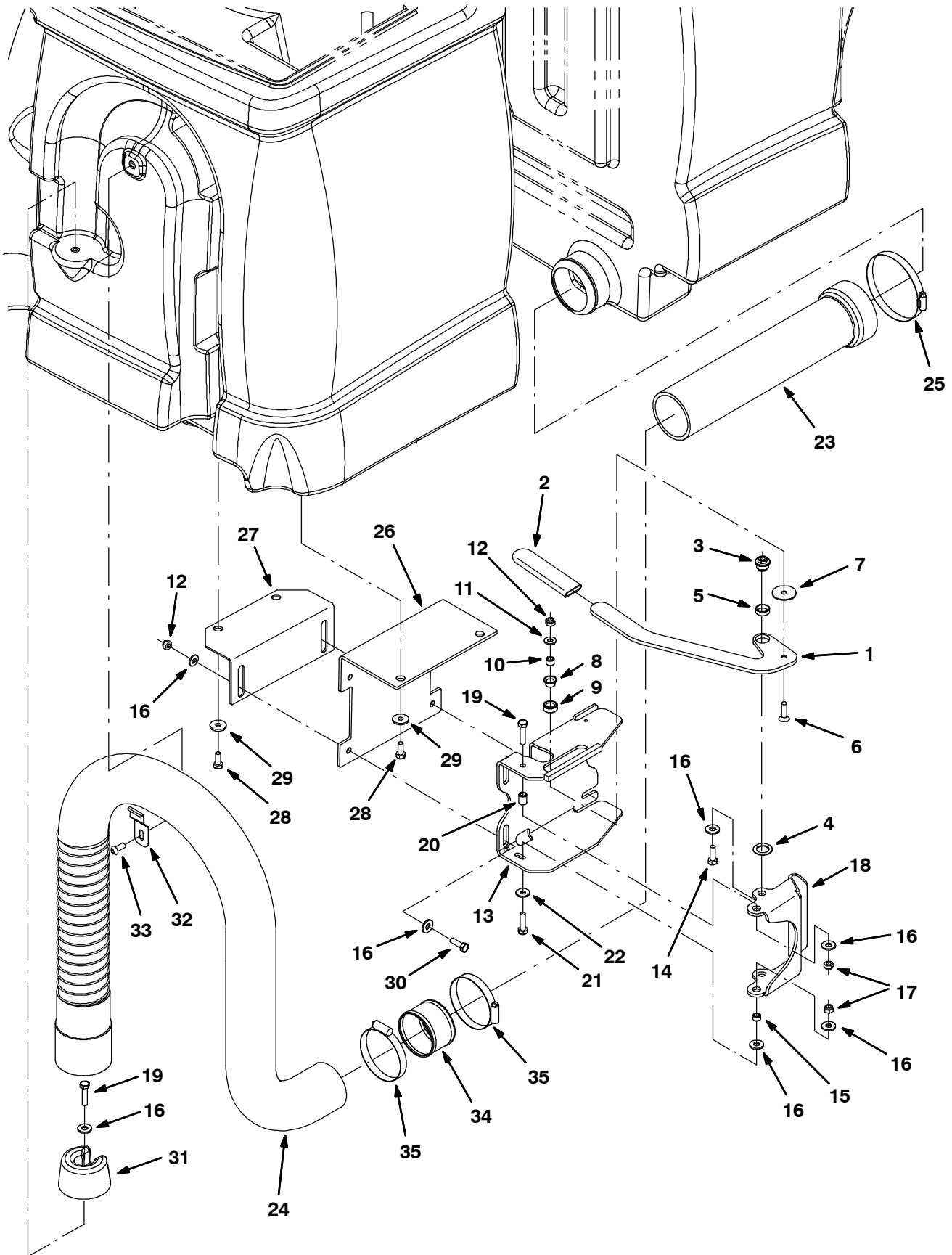


Fig. 53 - Solution Tank Drain Group

Ref.	Part No.	Serial Number	Description	Qty.
1	1025092	(000000-) Handle, Valve, Pinch, Rh	1
2	1023502	(000000-) Grip, Handle	1
3	1024599	(000000-) Bushing, Eccentric, Adj	1
4	1026051	(000000-) Washer, Flat, 0.79b 1.18d .06, Nyl	1
5	74090	(000000-) Bushing, Sleeve, 0.75b 0.88d 0.25l	1
6	79506	(000000-) Screw, Flt, M8 X 1.25 X 30, Ss	1
7	1028701	(000000-) Washer, Thrust, 0.34b 1.50d .06	1
8	15648	(000000-) Bushing, Flng, 0.50b 0.59d 0.38l	1
9	1028691	(000000-) Roller, Brg	1
10	1028690	(000000-) Tube, 0.50d 0.32b 00.4l, Ss	1
11	39349	(000000-) Washer, Flat, 0.31, Sae	1
12	08713	(000000-) Nut, Hex, Lock, M8 X 1.25, NI, Ss	9
13	1042003	(000000-) Mount Wldt, Valve, Pinch, Rh	1
14	39277	(000000-) Screw, Hex, M8 X 1.25 X 25, 8.8	1
15	222516	(000000-) Sleeve, P/M, 0.31b 0.50d 0.3l [430ss]	1
16	32491	(000000-) Washer, Flat, 0.31, Std	10
17	08713	(000000-) Nut, Hex, Lock, M8 X 1.25, NI, Ss	3
18	1024535	(000000-) Arm, Pinch	1
19	06955	(000000-) Screw, Hex, M8 X 1.25 X 35, 8.8	2
20	80395	(000000-) Sleeve, P/M, 0.31b 0.50d 0.7l [430ss]	1
21	76570	(000000-) Screw, Hex, M8 X 1.25 X 30, 8.8	1
22	41186	(000000-) Washer, Flat, Belleville, .31	1
23	9003793	(000000-) Tube Kit, Tank, Soltn, Replmt	1
24	1019424	(000000-) Hose, Drain, 3.00id X 48.0l	1
25	23498	(000000-) Clamp, Hose, Wormdrive, 3.56-4.50d, .50w	1
26	1025449	(000000-) Angle, Mtg, Valve	2
27	1025452	(000000-) Angle, Mtg, Stl, .12 3.7 3.4 09.1l	2
28	09740	(000000-) Screw, Hex, M8 X 1.25 X 20, Ss	4
29	1017218	(000000-) Washer, Flat, 0.32b 1.00d .12, Ss	4
30	09010	(000000-) Screw, Hex, M8 X 1.25 X 25, Ss	4
31	1022137	(000000-) Plug, Hose, Pyu	1
32	1025480	(000000-) Bracket, Retaining, Hose	1
33	393135	(000000-) Screw, Btn, M8 X 1.25 X 20, Blk	1
34	1020744	(000000-) Tube, Rnd, 3.00d 2.90b 02.0l, Ss	1
35	43555	(000000-) Clamp, Hose, Wormdrive, 2.50-3.50d, .50w	2

Fig. 54 - Solution Control Group, Cylindrical Scrub Head

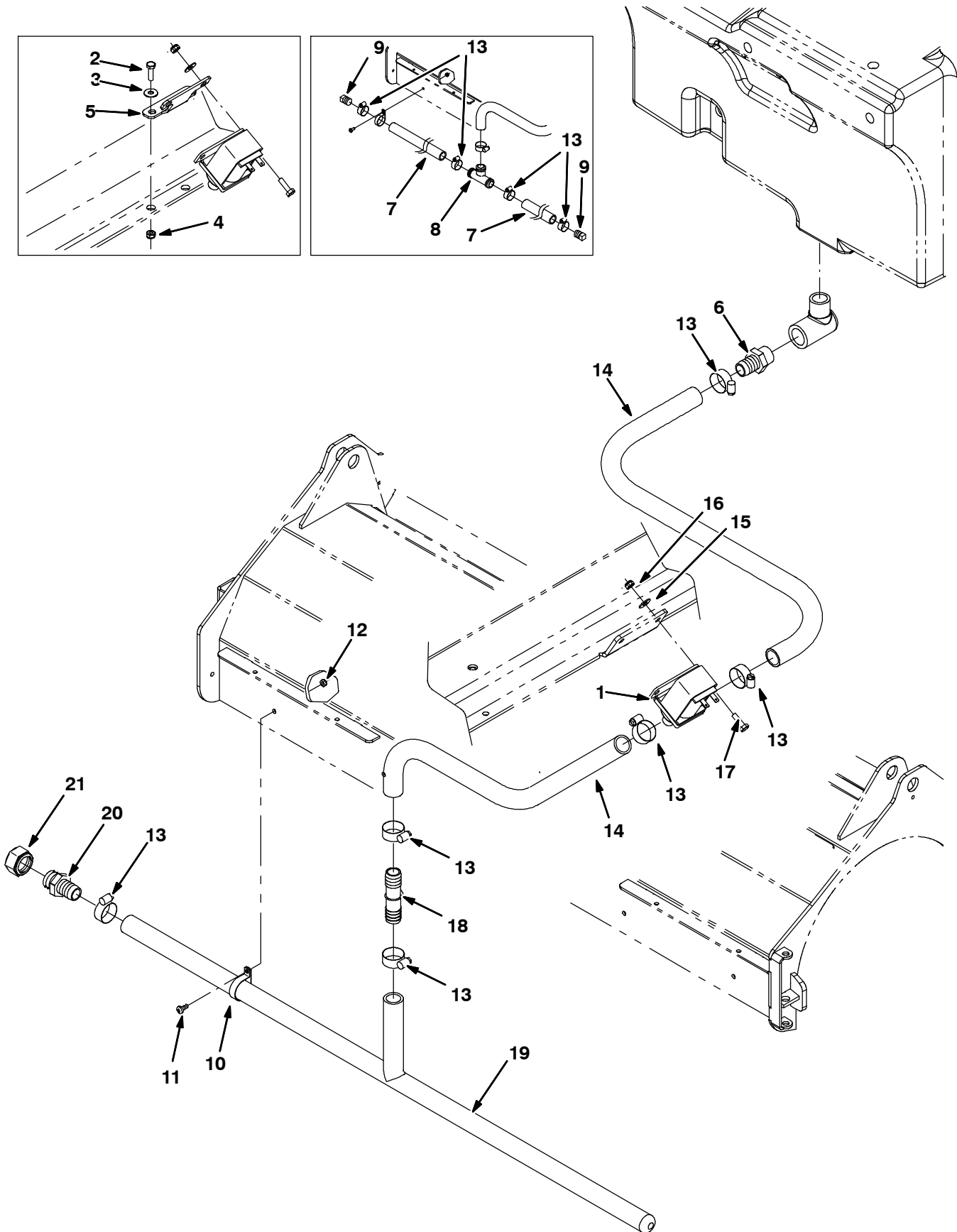


Fig. 54 - Solution Control Group, Cylindrical Scrub Head

Ref.	Part No.	Serial Number	Description	Qty.
1	1022088	(000000-) Valve Assy, Water, Solenoid , 12vdc	1
2	08716	(000000-001602)	Screw, Hex, M6 X 1.0 X 20, Ss	2
3	01684	(000000-001602)	Washer, Flat, 0.25, Ss	2
4	08712	(000000-001602)	Nut, Hex, Lock, M6 X 1.0, Ss, NI	2
5	1028074	(000000-001602)	Bracket, Mtg, Valve	1
6	79273-2	(000000-) Fitting, Plstc, Str, Bm12/Pm12	1
7	1029185	(000000-001581)	Tube, Distribution, Water	2
8	41315	(000000-001581)	Fitting, Plstc, Tee, Bm12/Bm12/Bm12	1
9	17521	(000000-001581)	Fitting, Pipe, Plug, Pm08, Sq Head	2
10	50544	(000000-) Clamp, Cable, Ss, 1.12d X 0.38w, 1h	6
11	09200	(000000-) Screw, Pan, M5 X 0.8 X 12, Ss	6
12	09739	(000000-) Nut, Hex, Lock, M5 X 0.8, NI, Ss	6
13	63810	(000000-) Clamp, Hose, Wormdrive, 0.56-1.06d, .56w	8
14	1015045	(000000-) Hose, Afmkt, Pvc, Brd 0.75id 08ft	1
15	01684	(000000-) Washer, Flat, 0.25, Ss	2
16	08712	(000000-) Nut, Hex, Lock, M6 X 1.0, Ss, NI	2
17	08716	(000000-) Screw, Hex, M6 X 1.0 X 20, Ss	2
18	1038074	(001582-) Fitting, Plstc, Str, Bm12/Bm12	1
19	1036997	(001582-) Manifold, Bar, Spray, 37.5inch	1
20	79273-2	(001582-) Fitting, Plstc, Str, Bm12/Pm12	1
21	1039064	(001582-) Fitting, Plstc, Cap, Pf12 Hex	1

Fig. 55 - Solution Control Group, Disk Scrub Head

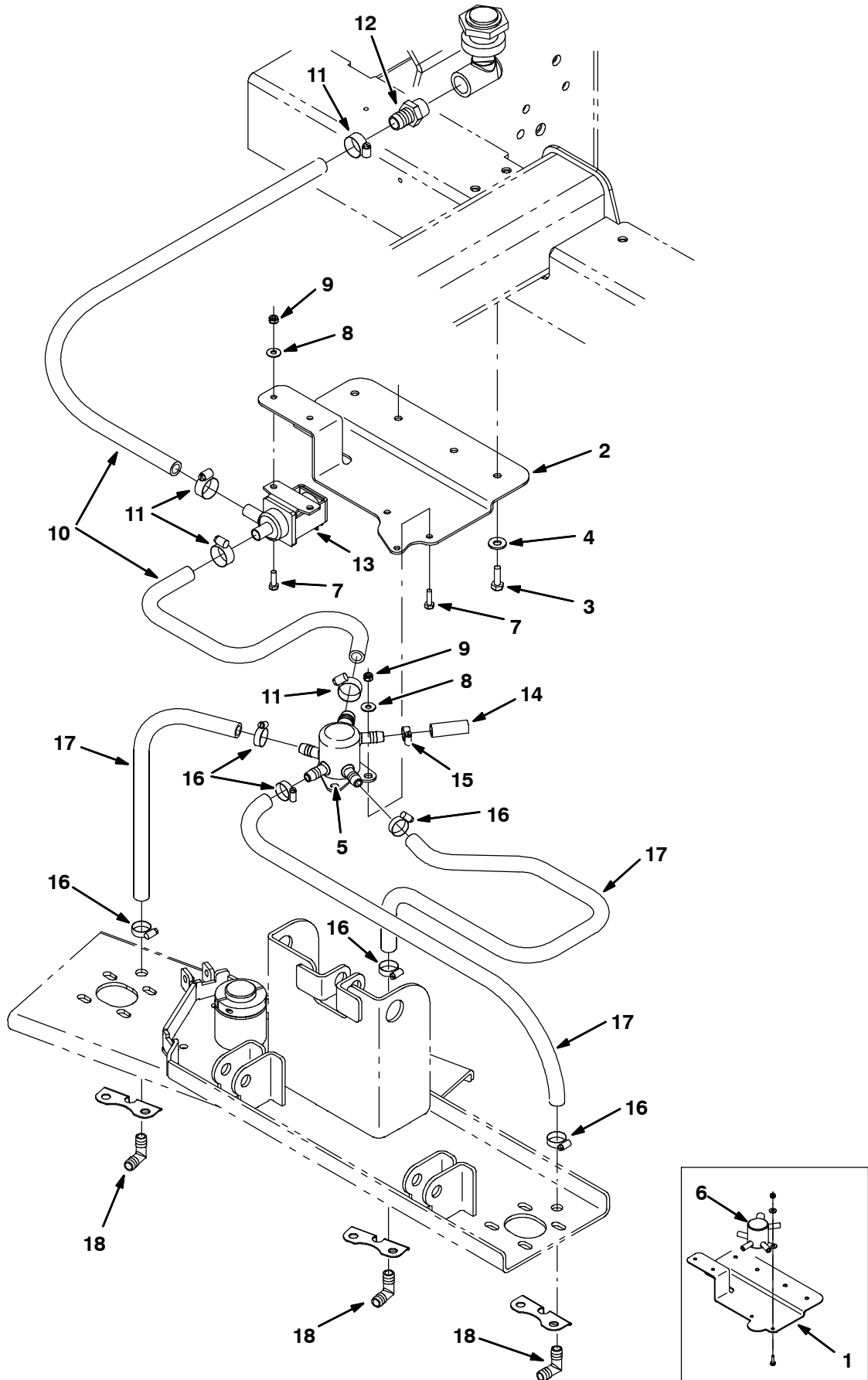


Fig. 55 - Solution Control Group, Disk Scrub Head

Ref.	Part No.	Serial Number	Description	Qty.
1	1028205	(000000-001762)	Bracket, Valve, Water	1
2	1042046	(001763-)	Bracket, Valve, Water	1
3	09010	(000000-)	Screw, Hex, M8 X 1.25 X 25, Ss	2
4	32491	(000000-)	Washer, Flat, 0.31, Std	2
5	1032701	(001763-)	Manifold Assy, Cntrl, Soltn	1
6	1023491	(000000-001762)	Manifold Wldt, Cntrl, Soltn	1
7	08716	(000000-)	Screw, Hex, M6 X 1.0 X 20, Ss	5
8	01684	(000000-)	Washer, Flat, 0.25, Ss	5
9	08712	(000000-)	Nut, Hex, Lock, M6 X 1.00, Ss, NI	5
10	1015045	(000000-)	Hose, Afmkt, Pvc, Brd 0.75id 08ft	1
11	63810	(000000-)	Clamp, Hose, Wormdrive, 0.56-1.06d, .56w	4
12	79273-2	(000000-)	Fitting, Plstc, Str, Bm12/Pm12	1
13	1022088	(000000-)	Valve Assy, Water, Solenoid , 12vdc	1
14	20807	(000000-)	Cap, Rbr, 0.50id 1.18l Blk	1
15	43844	(000000-)	Clamp, Hose, Wormdrive, 0.25-0.62d, .31w	1
16	54333	(000000-)	Clamp, Hose, Wormdrive, 0.31-0.88d, .31w	6
17	1006410	(000000-)	Hose, Afmkt, Pvc, Brd 0.75id 03ft	3
18	63987-1	(000000-)	Fitting, Plstc, E90, Bm08/Bm08	3

Fig. 56 - Recovery Tank Group

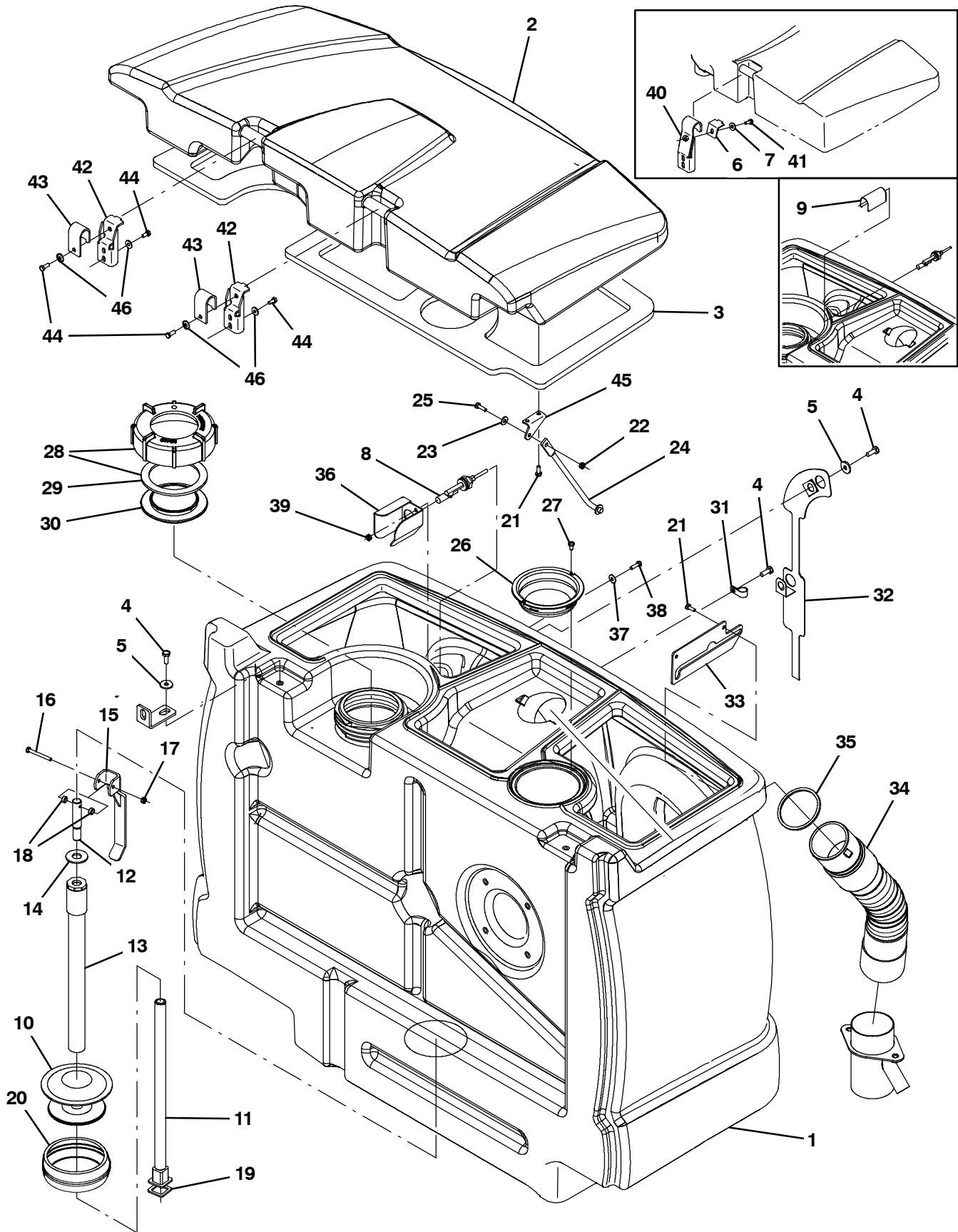


Fig. 56 - Recovery Tank Group

Ref.	Part No.	Serial Number	Description	Qty.
	1	1026316	(000000-) Tank, Recvy, Trimmed	1
▽	2	9003072	(000000-) Cover Kit, Tank, Recvy, Replmt [T20]	1
▲	3	1025562	(000000-) Gasket, Tank, Recvy	1
	4	09740	(000000-) Screw, Hex, M8 X 1.25 X 20, Ss	5
	5	1017218	(000000-) Washer, Flat, 0.32b 1.00d .12, Ss	4
	6	1020263	(000000-001684) Bracket, Retaining, Cover (Replaced by 9003893)	2
	7	32491	(000000-001684) Washer, Flat, 0.31, Std	2
	8	385685	(000000-) Sensor, Level, Liq, 14vdc 01a .62-11	1
	9	9003797	(000000-001608) Guard Kit, Switch, Float, Replmt [T20]	1
▽		9003313	(000000-) Plug Kit, Drain, Recvy, Ci [M20 & T20]	1
▲	10	1022370	(000000-) Plug, Drain, Expandable, 4.75-6.00	1
▲	11	1028328	(000000-) Tube Wldt, Plug, Drain	1
▲	12	1028173	(000000-) Pin, Lift, Drain	1
▲	13	1028570	(000000-) Tube Assy, Plug, Drain	1
▲	14	1028522	(000000-) Washer, Flat, .78b 1.75d .18, Ss	1
▲	15	1028211	(000000-) Handle Wldt, Drain	1
▲	16	58979	(000000-) Screw, Hex, M6 X 1.0 X 55, Ss	1
▲	17	08712	(000000-) Nut, Hex, Lock, M6 X 1.00, Ss, NI	1
▲	18	360801	(000000-) Sleeve, 0.31b 0.50d 0.3l, Ss	1
▲	19	1035044	(000000-) Seal, Shaft, Drain Plug	1
▲	20	1039652	(000000-) Seal, Plug, Drain [Nitrile]	1
	21	1046798	(000000-) Screw, Hex, .25-10 X 0.75, Fmg/a, Ss	4
	22	08712	(000000-) Nut, Hex, Lock, M6 X 1.00, Ss, NI	1
	23	01684	(000000-) Washer, Flat, 0.25, Ss	1
	24	54615	(000000-) Arm Wldt, Safety, Sppt, Seat, .38d 10.1l	1
	25	08716	(000000-) Screw, Hex, M6 X 1.0 X 20, Ss	1
	26	1026014	(000000-) Screen, Vacuum	1
	27	382320	(000000-) Screw, Pan, #12-16 X 0.50, F/ Plstc	2
▽	28	24358	(000000-) Cap Assy, Tank, Drain	1
▲	29	1031699	(000000-) Gasket, Lid	1
	30	86636	(000000-) Cover, Tank	1
	31	67767	(000000-) Clamp, Cable, Stl, 0.69d X 0.62w, 1h	1
	32	1030280	(000000-) Shield Wldt, Switch, Float	1
	33	1025620	(000000-) Plate, Mtg, Prop Rod	1
	34	1031610	(000000-) Hose Assy, Sqg	1
	35	1021920	(000000-) Gasket, 3.23ld 3.63Od .16Th, Ure	1
	36	1039697	(001609-) Guard Wldt, Switch, Float	1
	37	76426	(001609-) Washer, Sealing, 0.28b 0.75d Ss, Neo	2
	38	09007	(001609-) Screw, Hex, M6 X 1.00 X 25, Ss	2
	39	08712	(001609-) Nut, Hex, Lock, M6 X 1.00, Ss, NI	2
	40	1020065	(000000-001684) Bracket, Mtg, Cover (Replaced by 9003893)	2
	41	09740	(000000-001684) Screw, Hex, M8 X 1.25 X 20, Ss	2
	42	1039072	(001685-) Bracket, Sppt, Cover, Tank, Recvy	1
	43	1039049	(001685-) Bracket, Mtg, Cover, Recvy Tank	1
	44	16735	(001685-) Screw, Hex, M8 X 1.25 X 16, 8.8	6
	45	1025619	(000000-) Bracket, Mtg, Prop Rod	1
	46	32491	(001685-) Washer, Flat, 0.31, Std	6

Fig. 57 - Recovery Tank Drain Group

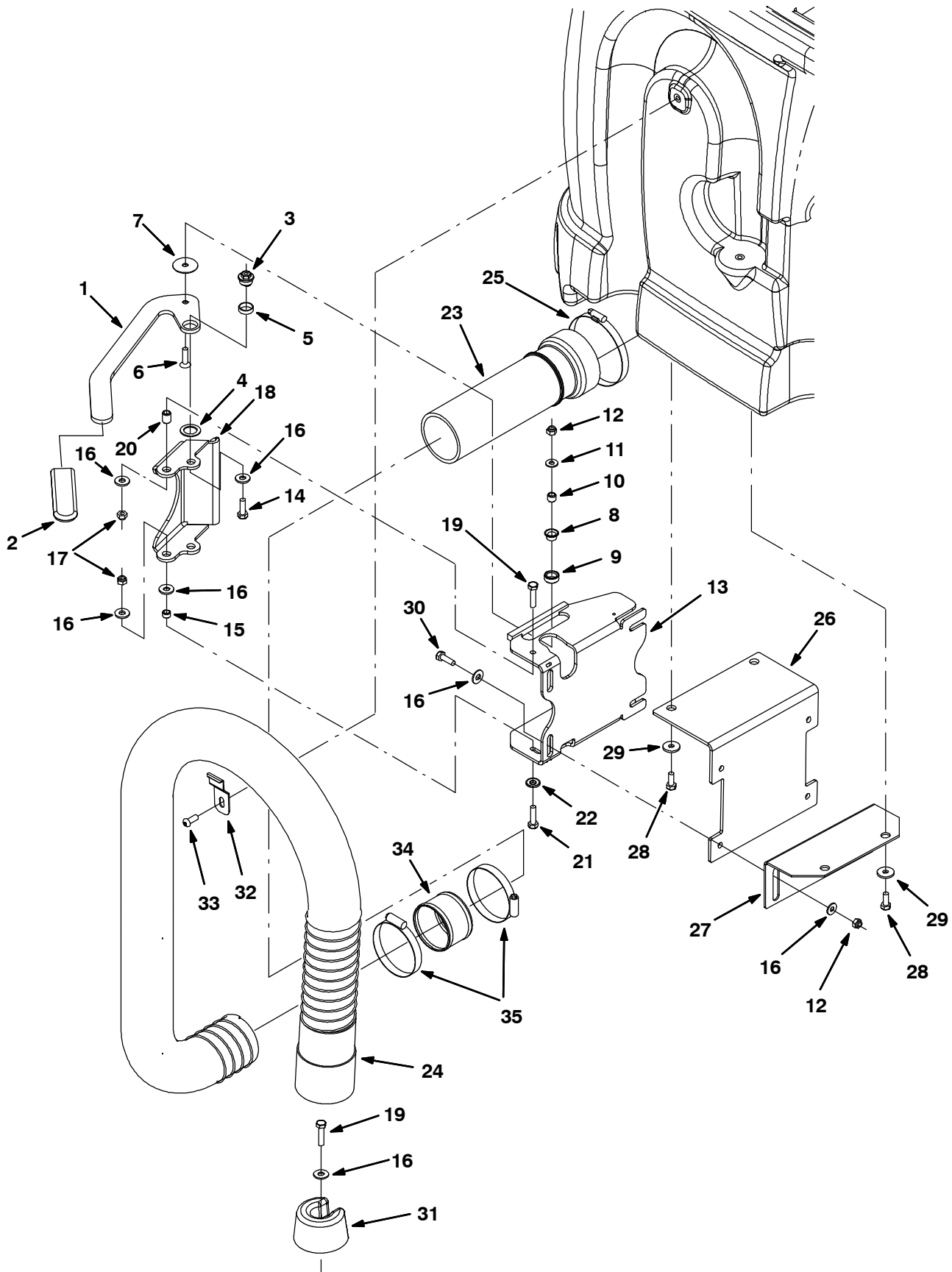


Fig. 57 - Recovery Tank Drain Group

Ref.	Part No.	Serial Number	Description	Qty.
1	1026142	(000000-) Handle, Valve, Pinch, Lh	1
2	1023502	(000000-) Grip, Handle	1
3	1024599	(000000-) Bushing, Eccentric, Adj	1
4	1026051	(000000-) Washer, Flat, 0.79b 1.18d .06, Nyl	1
5	74090	(000000-) Bushing, Sleeve, 0.75b 0.88d 0.25l	1
6	79506	(000000-) Screw, Flt, M8 X 1.25 X 30, Ss	1
7	1028701	(000000-) Washer, Thrust, 0.34b 1.50d .06	1
8	15648	(000000-) Bushing, Flng, 0.50b 0.59d 0.38l	1
9	1028691	(000000-) Roller, Brg	1
10	1028690	(000000-) Tube, 0.50d 0.32b 00.4l, Ss	1
11	39349	(000000-) Washer, Flat, 0.31, Sae	1
12	08713	(000000-) Nut, Hex, Lock, M8 X 1.25, NI, Ss	9
13	1042010	(000000-) Mount Wldt, Valve, Pinch, Lh	1
14	39277	(000000-) Screw, Hex, M8 X 1.25 X 25, 8.8	1
15	222516	(000000-) Sleeve, P/M, 0.31b 0.50d 0.3l [430ss]	1
16	32491	(000000-) Washer, Flat, 0.31, Std	10
17	08713	(000000-) Nut, Hex, Lock, M8 X 1.25, NI, Ss	3
18	1024535	(000000-) Arm, Pinch	1
19	06955	(000000-) Screw, Hex, M8 X 1.25 X 35, 8.8	2
20	80395	(000000-) Sleeve, P/M, 0.31b 0.50d 0.7l [430ss]	1
21	76570	(000000-) Screw, Hex, M8 X 1.25 X 30, 8.8	1
22	41186	(000000-) Washer, Flat, Belleville, .31	1
23	9003794	(000000-) Tube Kit, Tank, Recvy, Replmt	1
24	1019424	(000000-) Hose, Drain, 3.00id X 48.0l	1
25	23498	(000000-) Clamp, Hose, Wormdrive, 3.56-4.50d, .50w	1
26	1025449	(000000-) Angle, Mtg, Valve	2
27	1025452	(000000-) Angle, Mtg, Stl, .12 3.7 3.4 09.1l	2
28	09740	(000000-) Screw, Hex, M8 X 1.25 X 20, Ss	4
29	1017218	(000000-) Washer, Flat, 0.32b 1.00d .12, Ss	4
30	09010	(000000-) Screw, Hex, M8 X 1.25 X 25, Ss	4
31	1022137	(000000-) Plug, Hose, Pyu	1
32	1025480	(000000-) Bracket, Retaining, Hose	1
33	393135	(000000-) Screw, Btn, M8 X 1.25 X 20, Blk	1
34	1020744	(000000-) Tube, Rnd, 3.00d 2.90b 02.0l, Ss	1
35	43555	(000000-) Clamp, Hose, Wormdrive, 2.50-3.50d, .50w	2

Fig. 58 - Vacuum Fan Group, Scrubbing

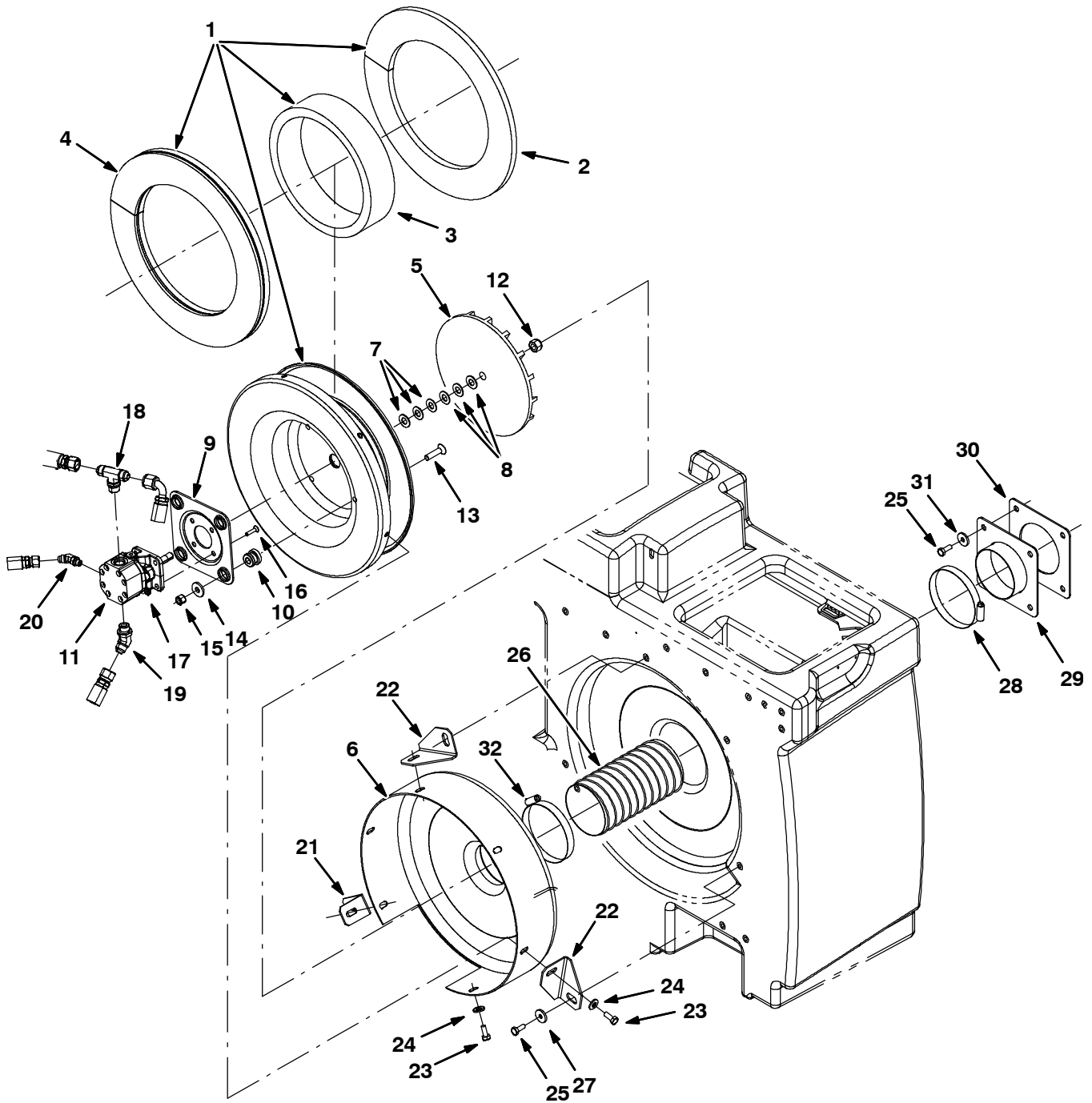
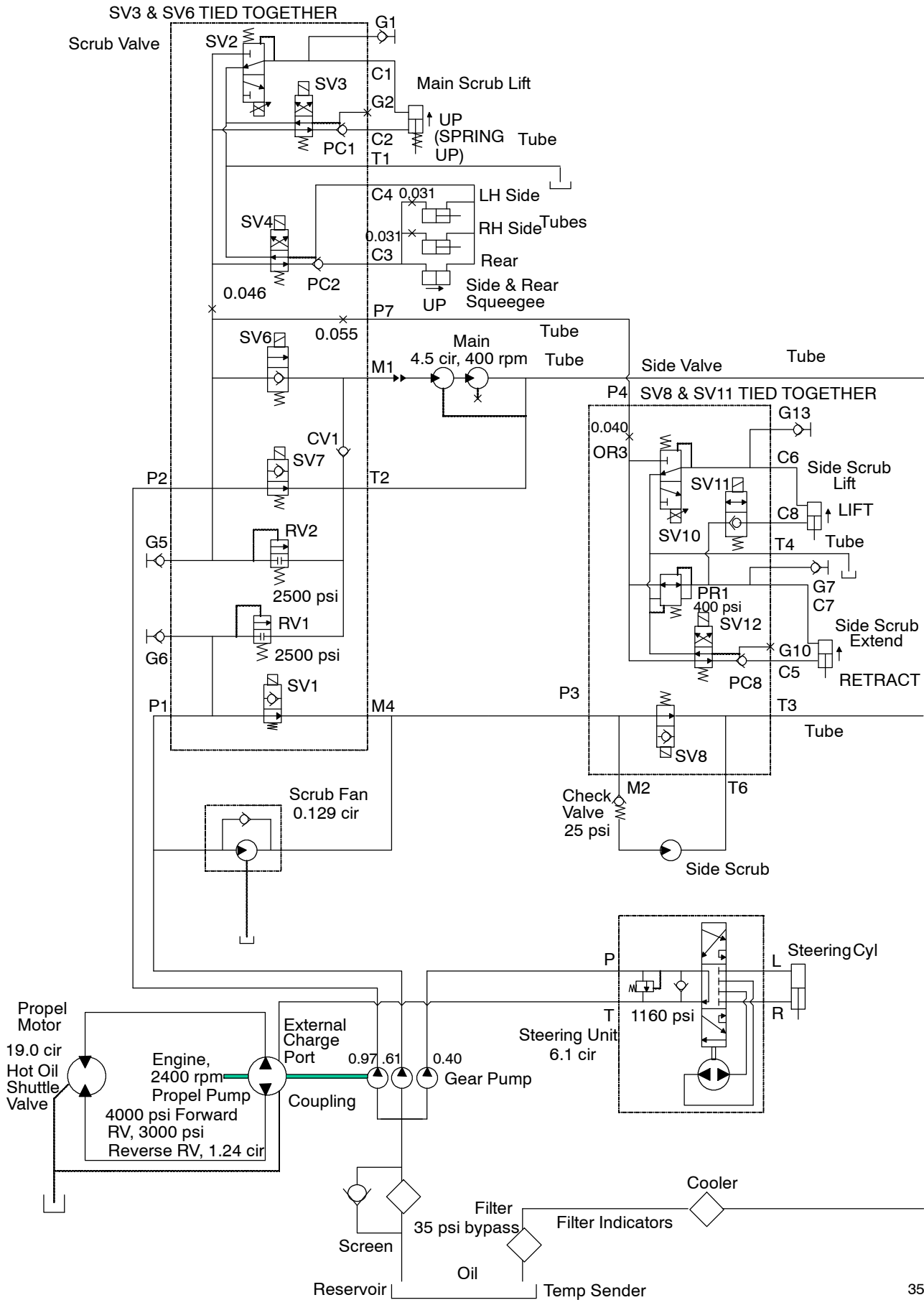


Fig. 58 - Vacuum Fan Group, Scrubbing

	Ref.	Part No.	Serial Number	Description	Qty.
	▽	9003455	(000000-) Fan Kit, Scrub, Replmt [M20/T20]	1
	▲▽	1 9002684	(000000-) Housing Assy, Vacfan, Scrbr	1
	▲▲	2 1025888	(000000-) Insulation, Flame-Retardant, 0.50	1
	▲▲	3 1025887	(000000-) Insulation, Flame-Retardant, 0.75-0.88	1
	▲▲	4 1025872	(000000-) Insulation, Flame-Retardant, 0.75-0.88	1
03922	▲	5 1041815	(000000-) Impeller, 9.5" Dia, 18 Blade (Machined)	1
	▲	6 57189	(000000-) Housing Wldt, Vacfan, Front [528]	1
	▲	7 75456-3	(000000-) Shim, Washer, 0.88d 0.51b .020	3
	▲	8 75456-4	(000000-) Shim, Washer, 0.88d 0.51b .060	3
	▲	9 54275A	(000000-) Bracket, Mtg, Motor	1
	▲	10 54274	(000000-) Isolator, Vib, Bshg, 1.1d 0.6l .4b 0.78h	4
	▲▽	11 9003461	(000000-) Motor Kit, Replmt [M20&T20]	1
	▲▲	00954	(000000-) Key, Sq, 0.12 X 0.12, 1.00l (Included With Motor)	1
	▲▲	74233	(000000-) Kit, Seal, Motor, Hyd, Gear[Barns]	1
	▲▲	12 41130	(000000-) Nut, Low Crown, .50-20	1
	▲▲	13 54861	(000000-) Screw, Flt, .38-16 X 1.50, Al	4
	▲▲	14 1014563	(000000-) Washer, Flat, 0.40b 1.12d .12, Ss	4
	▲▲	15 36643	(000000-) Nut, Hex, Lock, .38-16, NI, Thin	4
	▲▲	16 39534	(000000-) Screw, Flt, .25-20 X 1.00, Al	4
	▲▲	17 32981	(000000-) Nut, Hex, Lock, .25-20, NI	4
	▲▲	18 49933	(000000-) Fitting, Hyd, Tee, Jm08/Jm08/Om08, Br	1
	▲▲	19 42226	(000000-) Fitting, Hyd, E45, Jm08/Om08	1
	▲▲	20 392609	(000000-) Fitting, Hyd, E45, Jm06/Om04	1
	▲	21 1020320	(000000-) Angle, Sppt, Fan	1
	▲	22 1024891	(000000-) Bracket, Mtg, Fan	2
	▲	23 16931	(000000-) Screw, Hex, M8 X 1.25 X 20, 8.8	6
	▲	24 41186	(000000-) Washer, Flat, Belleville, .31	6
		25 09740	(000000-) Screw, Hex, M8 X 1.25 X 20, Ss	7
		26 1022377	(000000-) Hose, Air-Intk, Flex 4.00id 18.0l	1
		27 1014563	(000000-) Washer, Flat, 0.40b 1.12d .12, Ss	3
		28 79380	(000000-) Clamp, Hose, Wormdrive, 3.75-4.62d, .62w	1
		29 1023754	(000000-) Plate Wldt, Hose, Vacuum	1
		30 1024853	(000000-) Gasket, Plt, Hose, Vacuum	1
		31 1017218	(000000-) Washer, Flat, 0.32b 1.00d .12, Ss	4
		32 23498	(000000-) Clamp, Hose, Wormdrive, 3.56-4.50D, .50W	1

Fig. 59 - Hydraulic Schematic (000000-001503)



354520

Fig. 60 - Hydraulic Schematic (001504-002282)

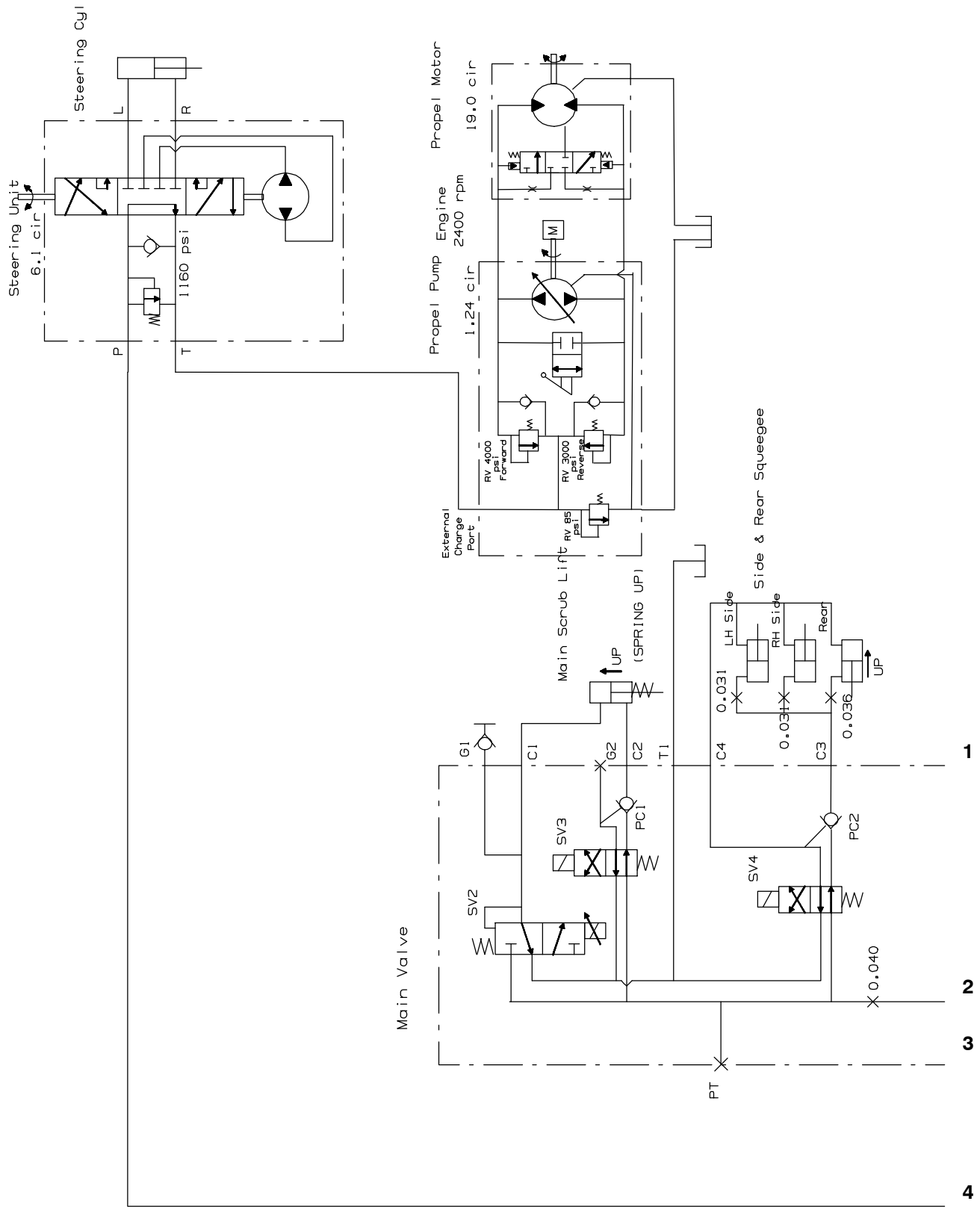


Fig. 60 - Hydraulic Schematic (001504-002282)

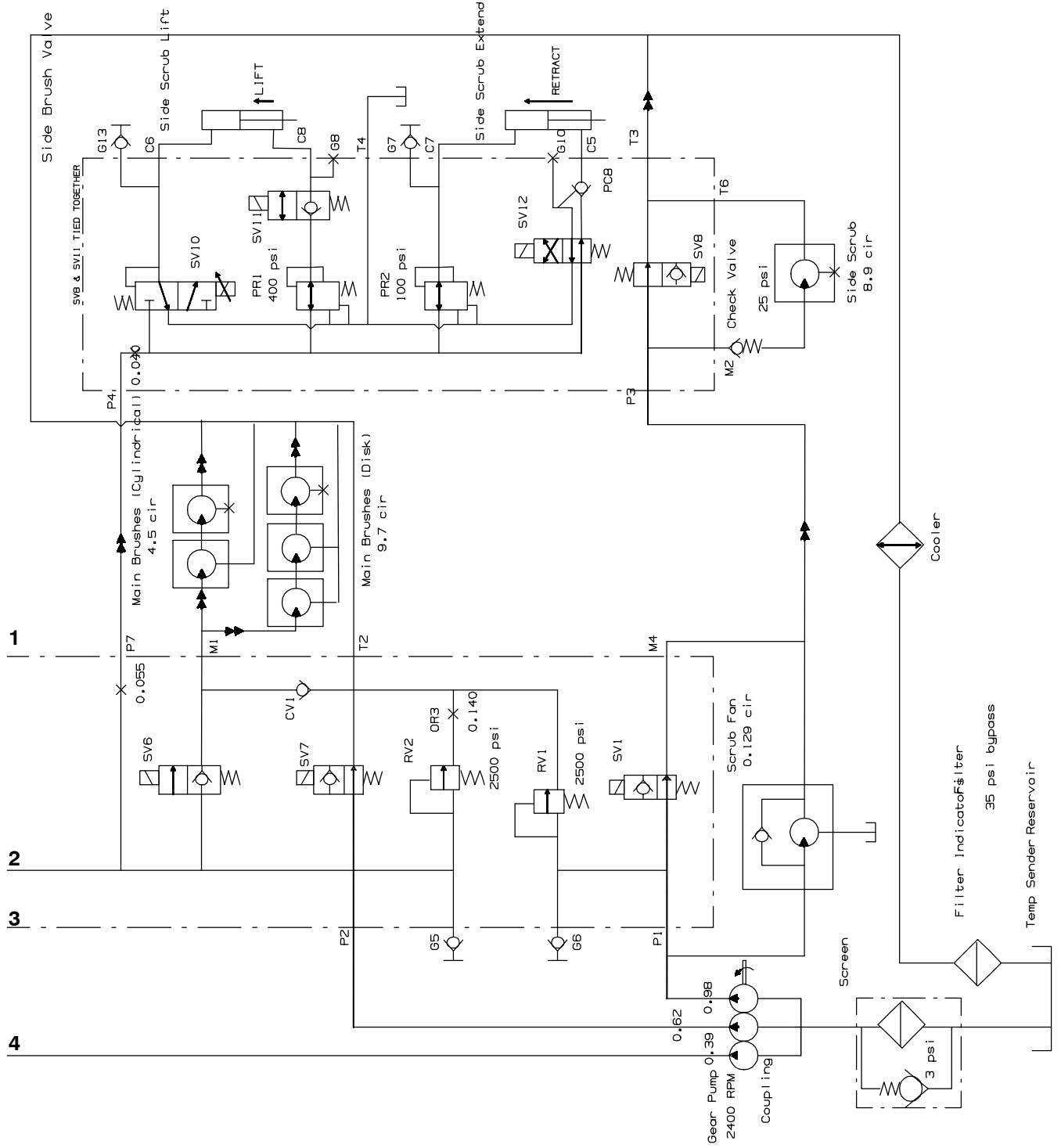


Fig. 61 - Hydraulic Schematic (002283-)

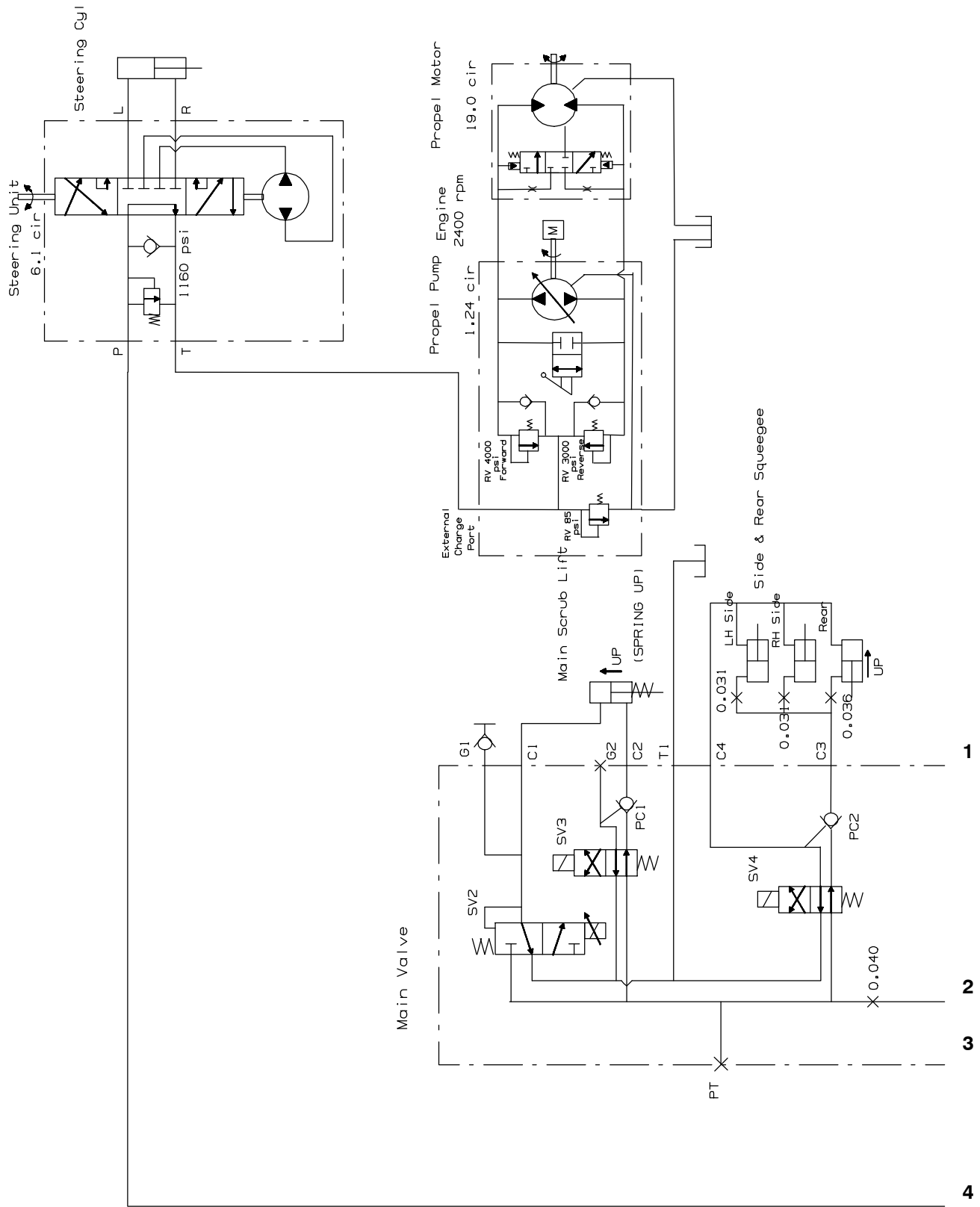


Fig. 61 - Hydraulic Schematic (002283-)

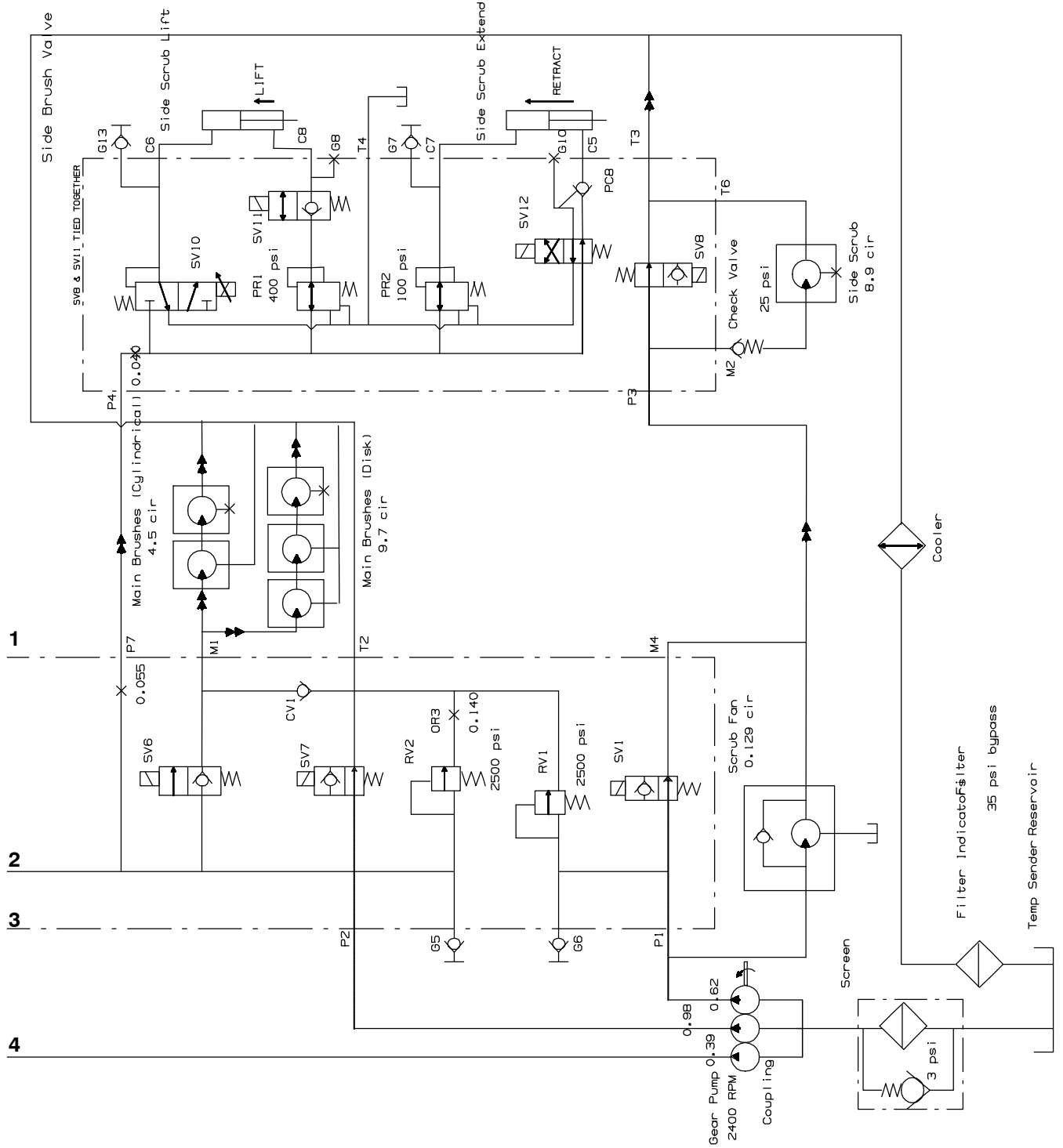


Fig. 62 - Hydraulic Hose Group, Steering and Propel

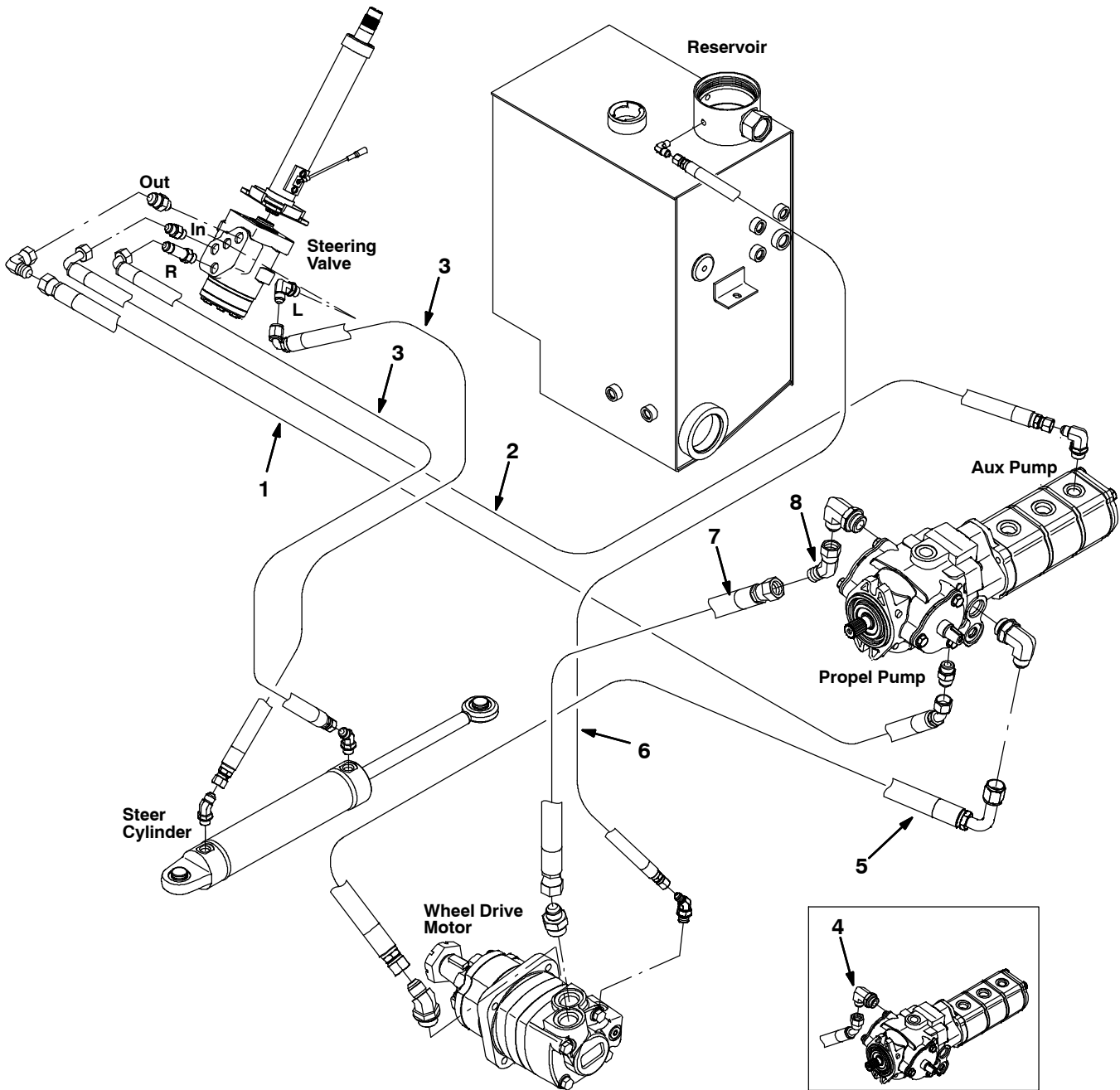


Fig. 62 - Hydraulic Hose Group, Steering and Propel

Ref.	Part No.	Serial Number	Description	Qty.
1	1023609	(000000-) Hose, Hyd, Tc08, Jf08e45/Jf08str, 96.0	1
2	1023608	(000000-) Hose, Hyd, Tc06, Jf06e90/Jf06str, 104.0	1
3	396221	(000000-) Hose, Hyd, Tc06, Jf06e90/Jf06str, 040.0	2
4	1023489	(000000-001574) Hose, Hyd, Spcl, Jf10e45/Jf10str, 58.0 (Replaced by 1039148)	1
5	1023488	(000000-) Hose, Hyd, Spcl, Jf10e90/Jf10str, 63.0	1
6	1030404	(000000-) Hose, Hyd,Med04, Jf04str/Jf04str, 066.0	1
7	1038569	(001575-) Hose, Hyd, Spcl, Jf10str/Jf10str, 56.5	1
8	54017	(001575-) Fitting, Hyd, E45, Jf10/Jm10	1

Fig. 63 - Hydraulic Hose Group, Pump and Vacuum Fan

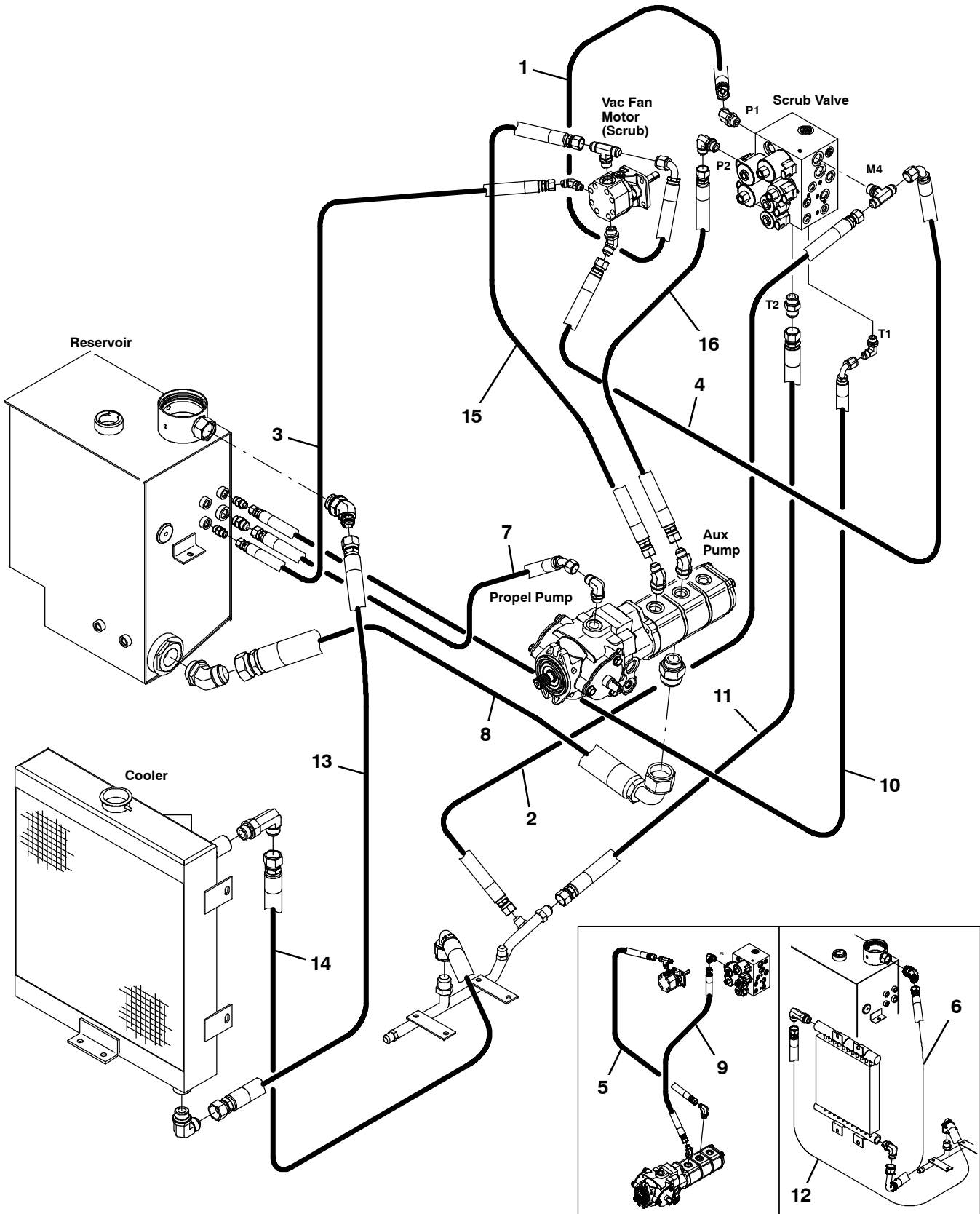


Fig. 63 - Hydraulic Hose Group, Pump and Vacuum Fans

Ref.	Part No.	Serial Number	Description	Qty.
1	71741	(000000-) Hose, Hyd, Tc08, Jf08e90/Jf08str, 046.0	1
2	65197	(000000-) Hose, Hyd, Med08, Jf08e90/Jf08str, 062.0	1
3	396273	(000000-) Hose, Hyd, Med06, Jf06str/Jf06str, 033.0	1
4	396255	(000000-) Hose, Hyd, Tc08, Jf08str/Jf08e90, 031.0	1
5	1026645	(000000-002282) Hose, Hyd, Tc08, Jf08e45/Jf08str, 26.0	1
6	1023487	(000000-002092) Hose, Hyd, Med12, Jf12e90/Jf12str, 50.0	1
7	1023607	(000000-) Hose, Hyd, Med08, Jf08str /Jf08e45, 21.0	1
8	1036710	(000000-) Hose, Hyd, Suc20, Jf20Str/Jf20E90, 030.0	1
9	1023606	(000000-002282) Hose, Hyd, Tc08, Jf08str/Jf08str, 21.0	1
10	71735	(000000-) Hose, Hyd, Med06, Jf06e90/Jf06str, 042.0	1
11	1025547	(000000-) Hose, Hyd, Med10, Jf10str/Jf10str, 41.0	1
12	396438	(000000-002092) Hose, Hyd, Tc12, Jf12e90/Jf12str, 044.0	1
13	1050437	(002093-) Hose, Hyd, Med12, Jf12str/Jf12str, 052.0	1
14	1050436	(002093-) Hose, Hyd, Med12, Jf12e90/Jf12str, 029.0	1
15	1026645	(002283-) Hose, Hyd, Tc08, Jf08E45/Jf08Str, 026.0	1
16	1023606	(002283-) Hose, Hyd, Tc08, Jf08Str/Jf08Str, 021.0	1

Fig. 64 - Hydraulic Hose Group, Cylindrical Brush

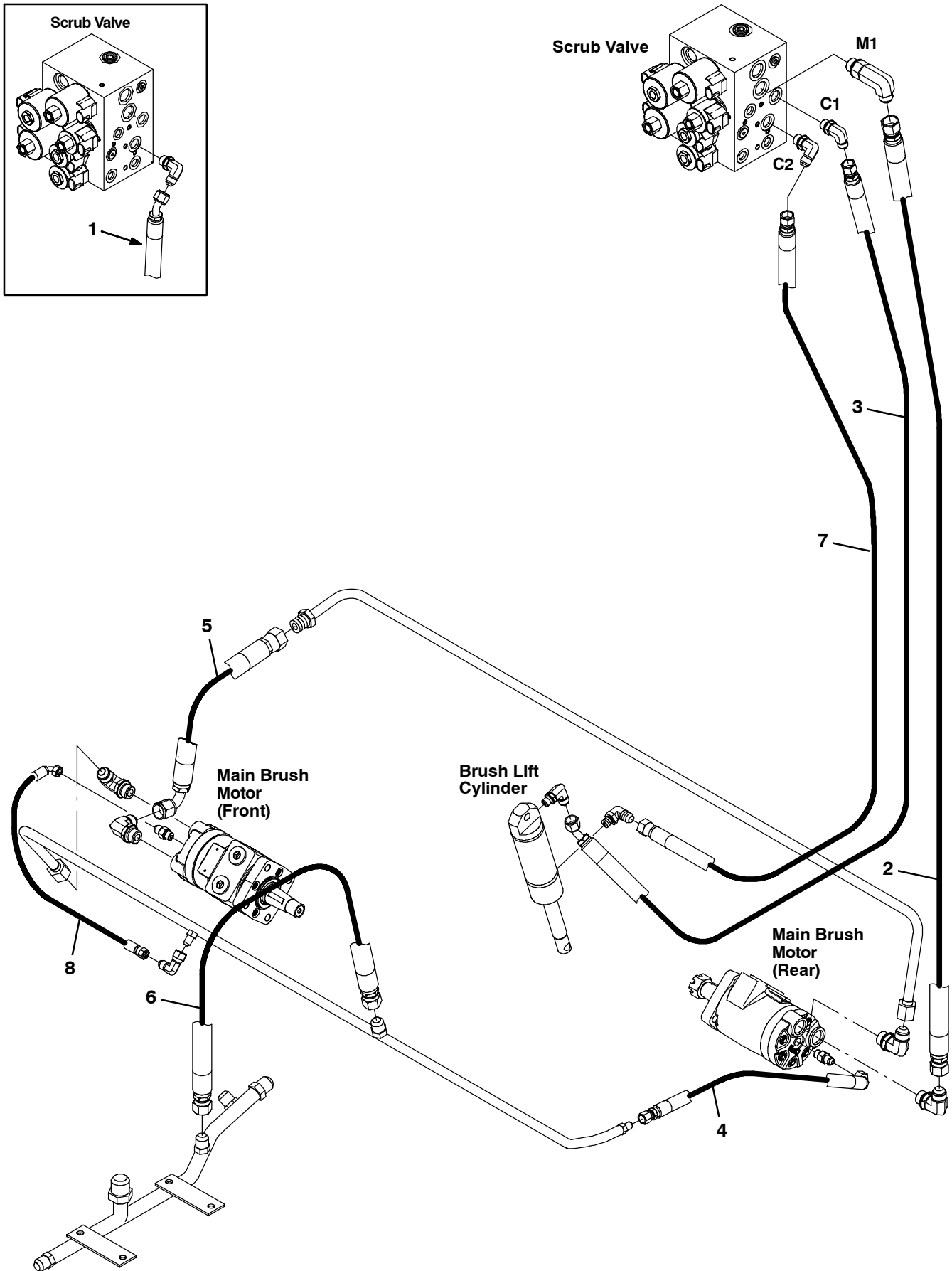


Fig. 64 - Hydraulic Hose Group, Cylindrical Brush

Ref.	Part No.	Serial Number	Description	Qty.
1	1025548	(000000-001037)	Hose, Hyd, Tc06, Jf06str /Jf06e45, 54.0	1
2	1024764	(000000-) Hose, Hyd, Tc08, Jf08str/Jf08str, 48.0	1
3	1023769	(000000-) Hose, Hyd, Tc 06, Jf06str /Jf06e45, 56.0	1
4	57946	(000000-) Hose, Hyd, Med04, Jf04e90/Jf04str, 016.0	1
5	1025544	(000000-) Hose, Hyd, Tc08, Jf08e90/Jf08str, 13.0	1
6	51754	(000000-) Hose, Hyd, Med08, Jf08str/Jf08str, 022.0	1
7	1036939	(001038-) Hose, Hyd, Tc06, Jf06Str/Jf06Str, 054.0	1
8	387281	(002097-) Hose, Hyd, Tc04, Jf04e90/Jf04str, 020.0	1

Fig. 65 - Hydraulic Hose Group, Disk Brush

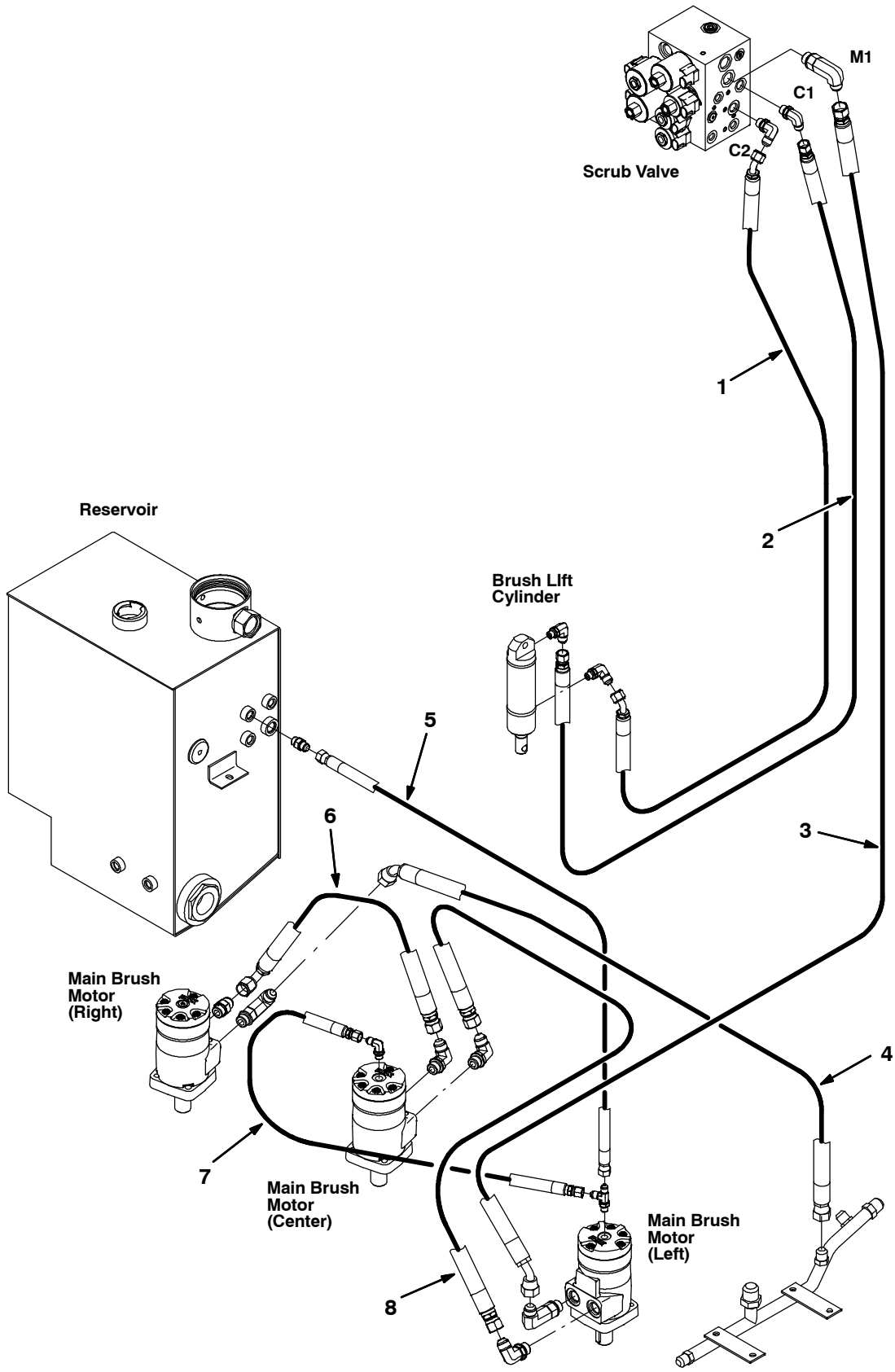


Fig. 65 - Hydraulic Hose Group, Disk Brush

Ref.	Part No.	Serial Number	Description	Qty.
1	1025548	(000000-) Hose, Hyd, Tc06, Jf06str /Jf06e45, 54.0	1
2	1023769	(000000-) Hose, Hyd, Tc 06, Jf06str /Jf06e45, 56.0	1
3	381854	(000000-) Hose, Hyd, Tc08, Jf08e45/Jf08str, 052.0	1
4	16462	(000000-) Hose, Hyd, Med08, Jf08e45/Jf08str, 046.0	1
5	381866	(000000-) Hose, Hyd, Tc04, Jf04str/Jf04str, 036.0	1
6	396278	(000000-) Hose, Hyd, Tc08, Jf08e90/Jf08str, 020.0	1
7	381866	(000000-) Hose, Hyd, Tc04, Jf04str/Jf04str, 036.0	1
8	365009	(000000-) Hose, Hyd, Tc08, Jf08str/Jf08str, 040.0	1

Fig. 66 - Hydraulic Hose Group, Squeegee Lift

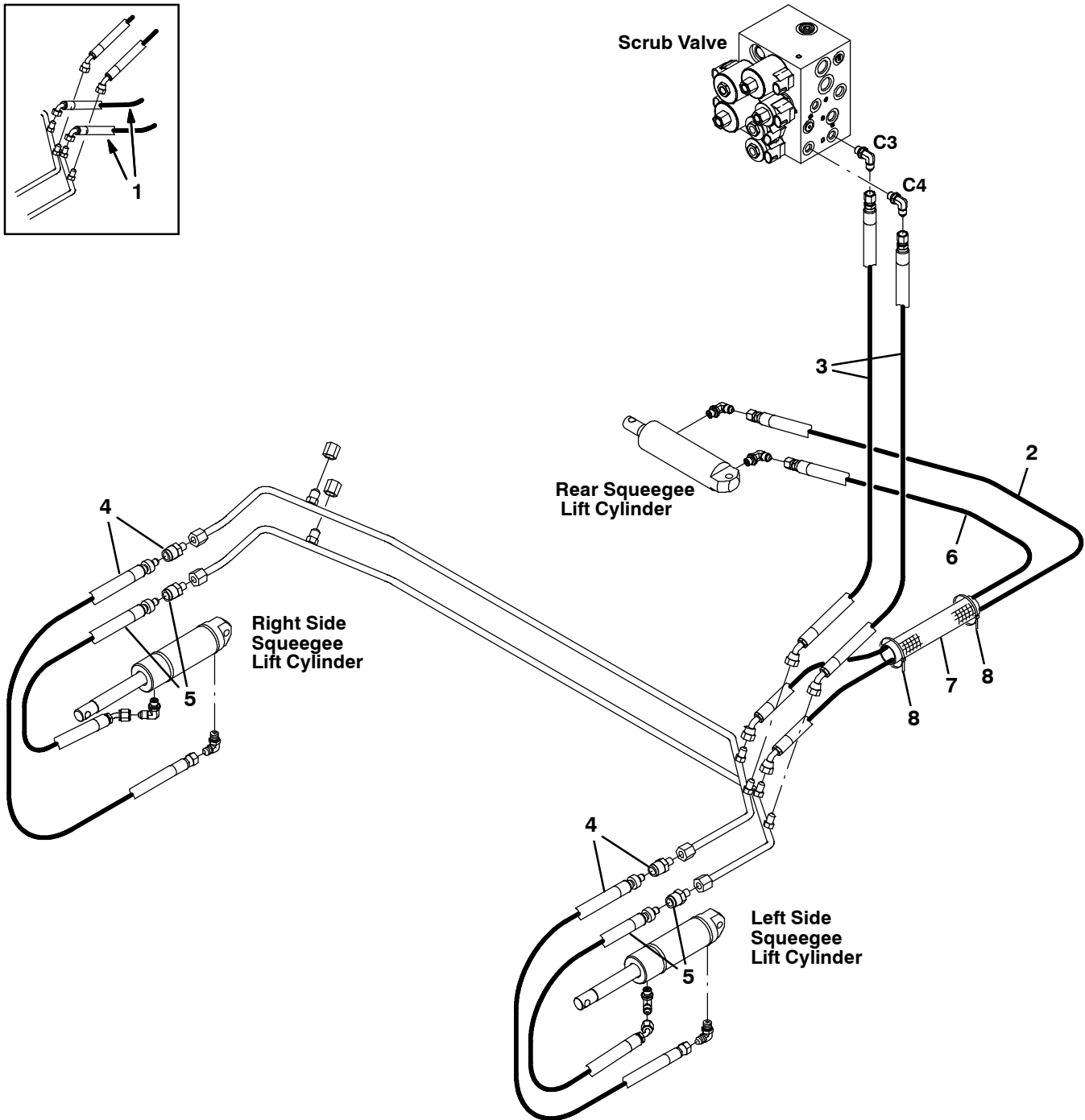


Fig. 66 - Hydraulic Hose Group, Squeegee Lift

Ref.	Part No.	Serial Number	Description	Qty.
1	9006562	(000000-002121)	Hose Kit, Hyd, Sqge Lift [T20]	1
2	1055588	(002122-) Hose, Hyd, Tc04, Jf04e45/Jf04str, 044.0	1
3	1030709	(000000-) Hose, Hyd, Tc 04, Jf04str /Jf04e45 , 35.0	2
4	1045759	(001755-) Hose, Hyd, Tc04, Jf04Str/Qm06, 028.0	2
4	1037042	(000000-001754)	Hose, Hyd, Tc04, Jf04E45/Qm06, 028.0	2
5	1036899	(000000-) Hose, Hyd, Tc04, Jf04E45/Qm06, 024.0	2
6	1055590	(002122-) Hose, Hyd, Tc04, Jf04e45/Jf04str, 048.0	1
7	57223	(002122-) Sleeve, Nyl, 1.22id 14.0l	1
8	49266	(002122-) Tie, Cable, Nyl, 07.3l .19w 1.8 Max D	2

Fig. 67 - Hydraulic Pumps Group

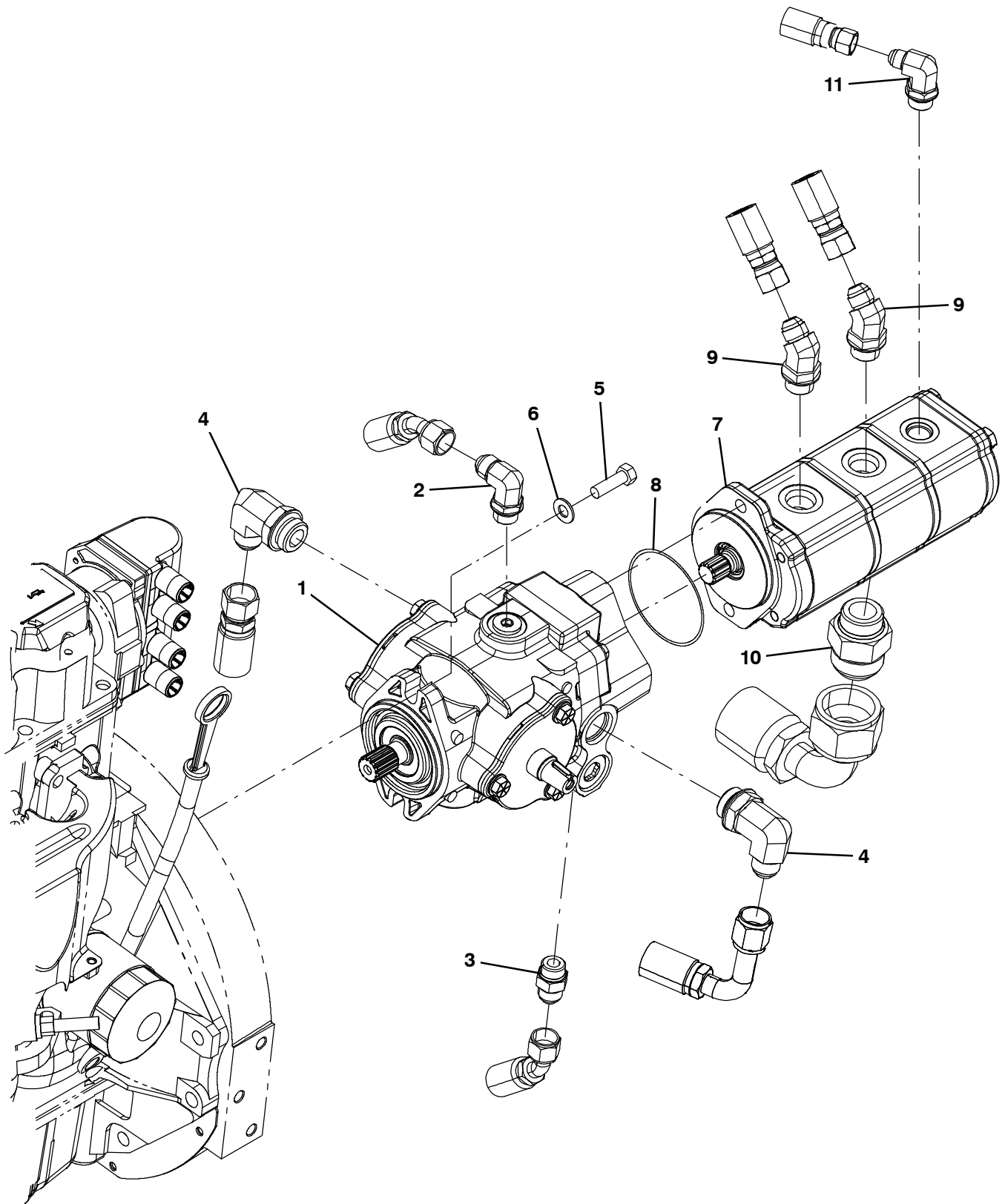


Fig. 67 - Hydraulic Pumps Group

Ref.	Part No.	Serial Number	Description	Qty.
1	1024251	(000000-) Pump, Hyd, Piston, Var, 1.24 4000, Cw (See Breakdowns)	1
2	44868	(000000-) Fitting, Hyd, E90, Jm08/Om08	1
3	44869	(000000-) Fitting, Hyd, Str, Jm08/Om08	1
4	53076	(000000-) Fitting, Hyd, E90, Jm10/Om12	2
5	21198	(000000-) Screw, Hex, .38-16 X 1.25, 5	22
6	32485	(000000-) Washer, Flat, 0.38 Sae	2
7	9007142	(000000-) Pump Kit, Mtg, Aux, Ci [M20 & T20]	1
8	65145-1	(000000-) Seal, Org, .069 X 3.06id	11
9	47513	(000000-) Fitting, Hyd, E45, Jm08/Om10	2
10	67811	(000000-) Fitting, Hyd, Str, Jm20/Om16	1
11	47512	(000000-) Fitting, Hyd, E90, Jm06/Om08	1

Fig. 68 - Hydraulic Cooler and Tubes Group

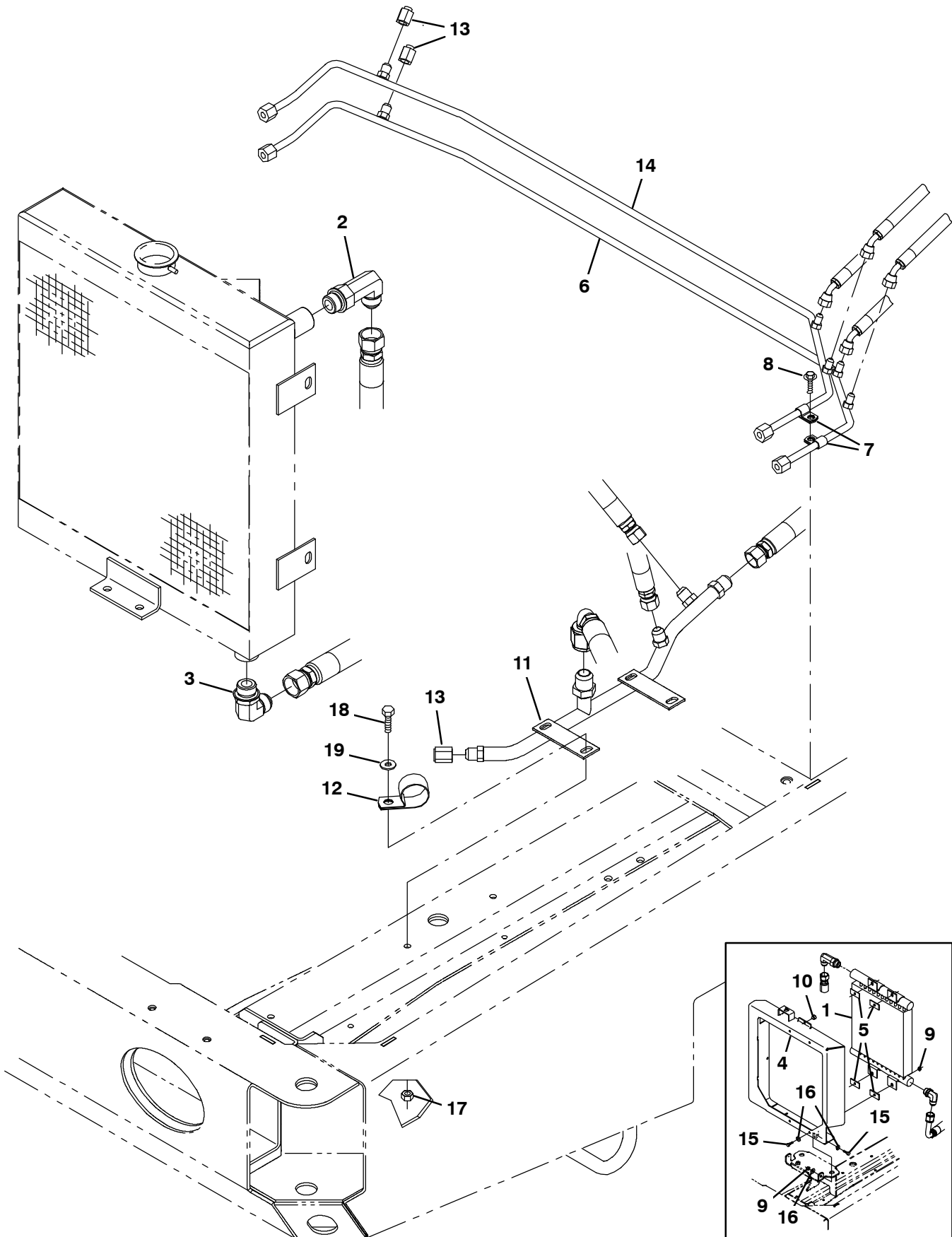


Fig. 68 - Hydraulic Cooler and Tubes Group

Ref.	Part No.	Serial Number	Description	Qty.
1	13698	(000000-002092)	Cooler, Hyd, 25gpm 325btu Of12 13x12x2	1
2	46481	(000000-	Fitting, Hyd, E90, Jm12/Om12	1
3	62471	(000000-	Fitting, Hyd, E90, Jm12/Om12, L	1
4	1026319	(000000-002092)	Bracket Wldt, Cooler, Hyd Fluid	1
5	1040318	(000000-002092)	Pad, Tank, Hyd [W/Psa]	4
6	1028822	(000000-	Tube, Hyd, Sqge	1
7	40678	(000000-	Clamp, Cable, Stl, 0.44d X 0.62w, 1h	2
8	74455	(000000-	Screw, Hex, M6 X 1.0 X 12, Fmg	1
9	07791	(000000-002092)	Nut, Hex, Fing, M8 X 1.25	8
10	51787	(000000-002092)	Bumper, Rbr, 0.6d 0.34t .3d Tip	1
11	1023081	(000000-	Tube, Hyd, Main Return [M20]	1
12	53466	(000000-	Clamp, Cable, Stl, 1.50d X 1.00w, 1h	1
13	40625	(000000-	Fitting, Hyd, Cap, Jf06	3
14	1028821	(000000-	Tube, Hyd, Sqge	1
15	39277	(000000-002092)	Screw, Hex, M8 X 1.25 X 25, 8.8	8
16	32491	(000000-002092)	Washer, Flat, 0.31, Std	7
17	41430	(000000-	Nut, Hex, Lock, M10 X 1.5, NI	2
18	39277	(000000-	Screw, Hex, M8 X 1.25 X 25, 8.8	2
19	32491	(000000-	Washer, Flat, 0.31, Std	2

Fig. 69 - Hydraulic Reservoir Group

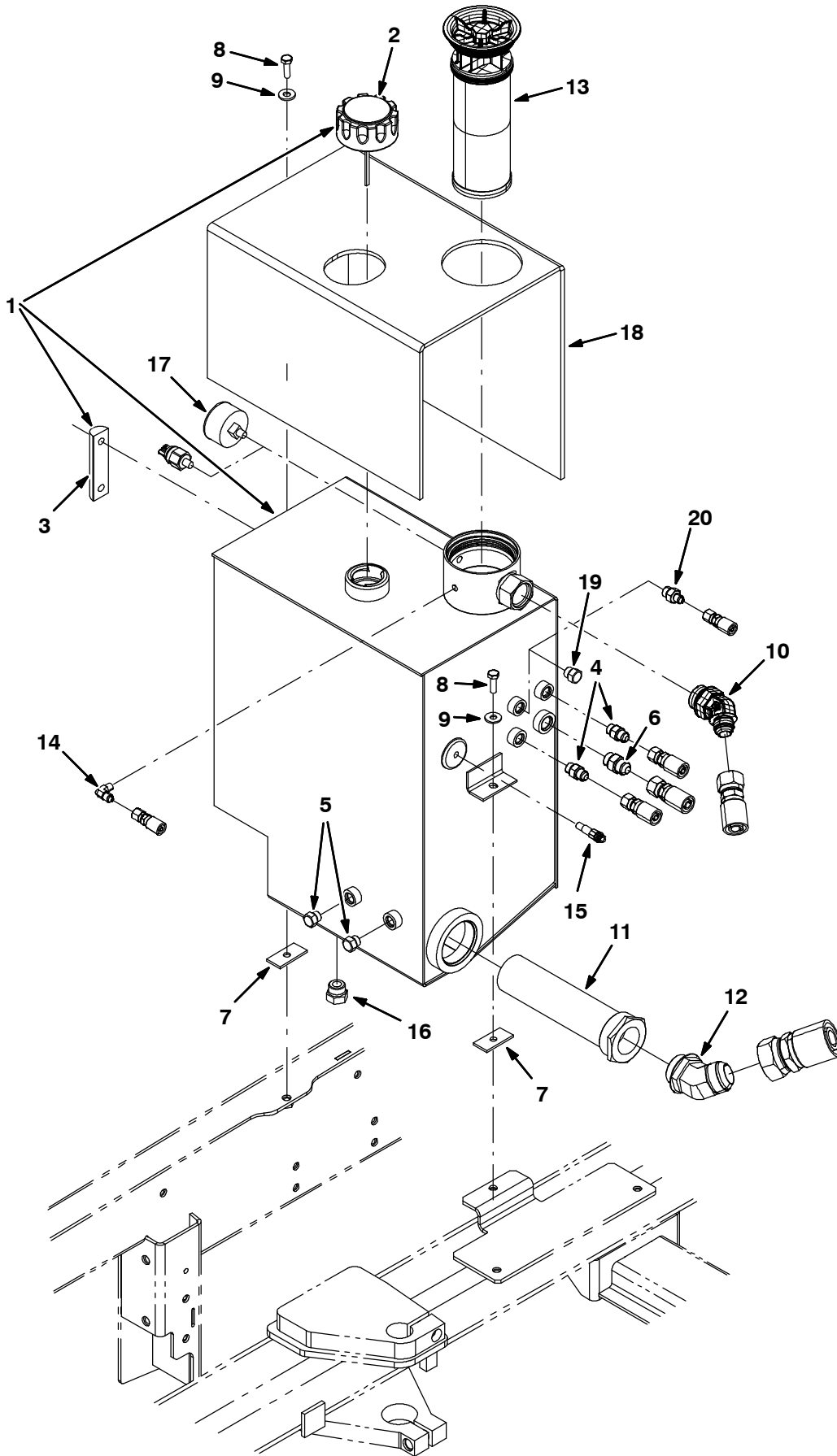


Fig. 69 - Hydraulic Reservoir Group

Ref.	Part No.	Serial Number	Description	Qty.
▽	1	9002398	(000000-) Reservoir, Hyd, 10.0Gal, Replmt	1
▲	2	25122	(000000-) Cap, Breather, Hyd, 2.4 Ds	1
▲	3	65215	(000000-) Gauge, Sensing, Level	1
	4	56690	(000000-) Fitting, Hyd, Str, Jm06/Om06	2
	5	46482	(000000-) Fitting, Hyd, Plug, Om06	2
	6	44869	(000000-) Fitting, Hyd, Str, Jm08/Om08	1
	7	1040318	(000000-) Pad, Tank, Hyd [W/Psa]	2
	8	39277	(000000-) Screw, Hex, M8 X 1.25 X 25, 8.8	2
	9	32491	(000000-) Washer, Flat, 0.31 Std	2
	10	1023545	(000000-) Fitting, Hyd, E45, Jm12/Om16	1
	11	31613	(000000-) Strainer, Hyd, 25gpm 100mesh Psi	1
	12	71726	(000000-) Fitting, Hyd, E45, Jm20/Om20	1
	13	1021579	(000000-) Filter Assy [Pt4 936498]	1
	14	55455	(000000-) Fitting, Hyd, E90, Jm04/Pm02	1
	15	58592	(000000-) Send-Unit, Water, Temp, 04npt 113oh/195d	1
	16	40362	(000000-) Fitting, Hyd, Plug, Om10	1
	17	1025132	(000000-) Indicator, Press, 60psi	1
	18	1034878	(000000-) Insulation, Thermal, Hydraulic Blanket	1
	19	46482	(000000-) Fitting, Hyd, Plug, Om06 (Cylindrical Scrub Head)	1
	20	55685	(000000-) Fitting, Hyd, Str, Jm04/Om06 (Disk Scrub Head)	1

Fig. 70 - Hydraulic Valves Group

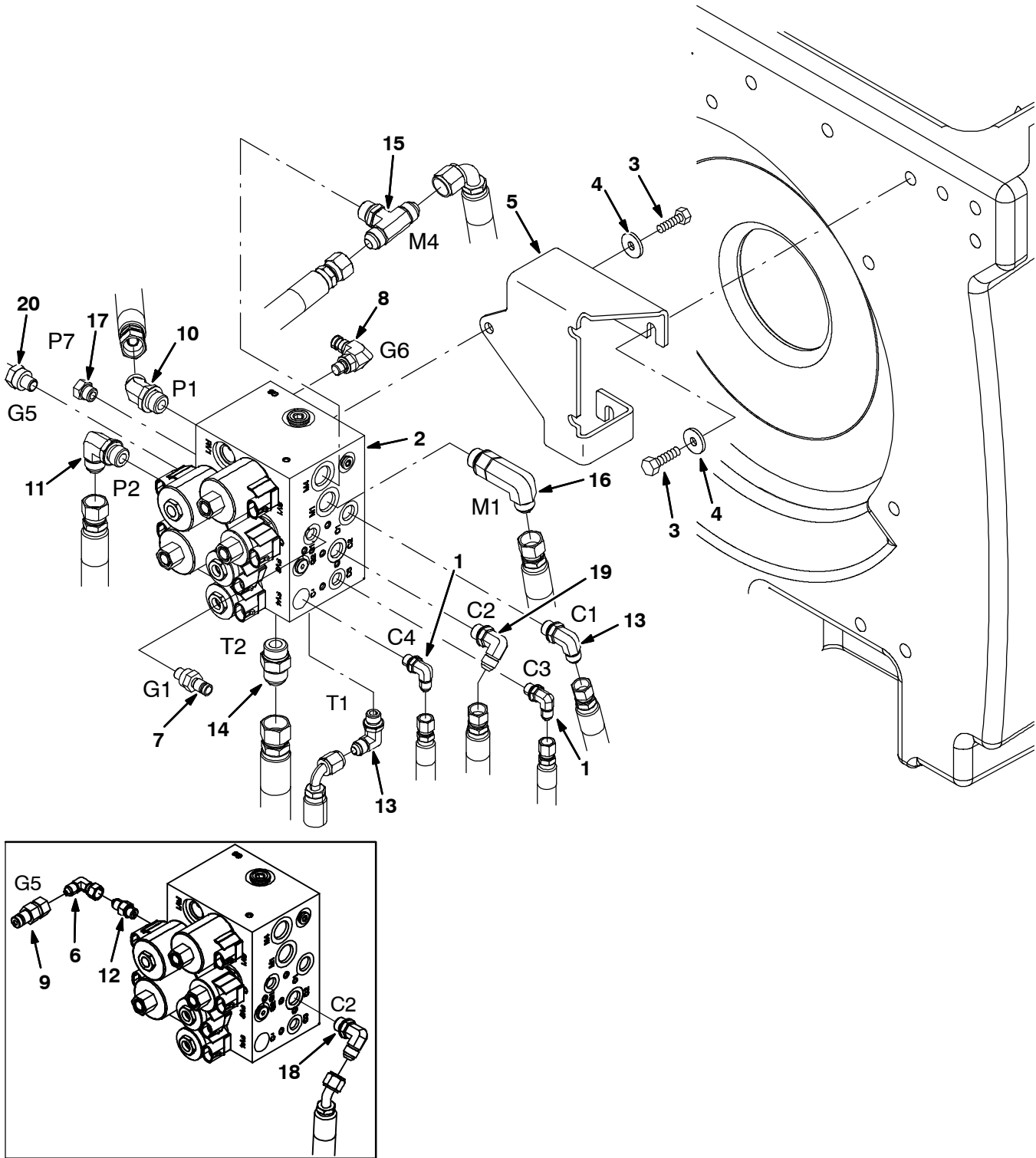
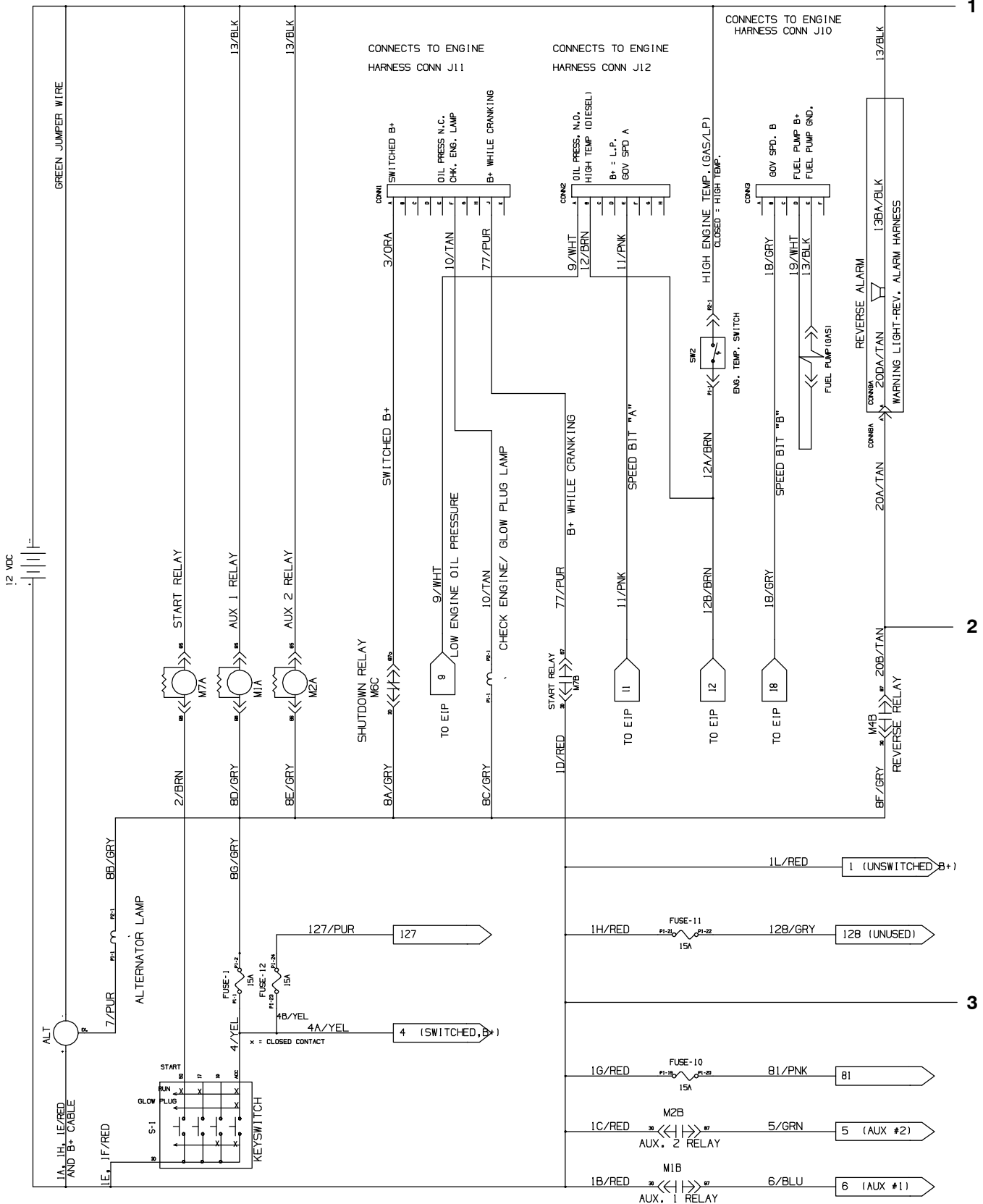


Fig. 70 - Hydraulic Valves Group

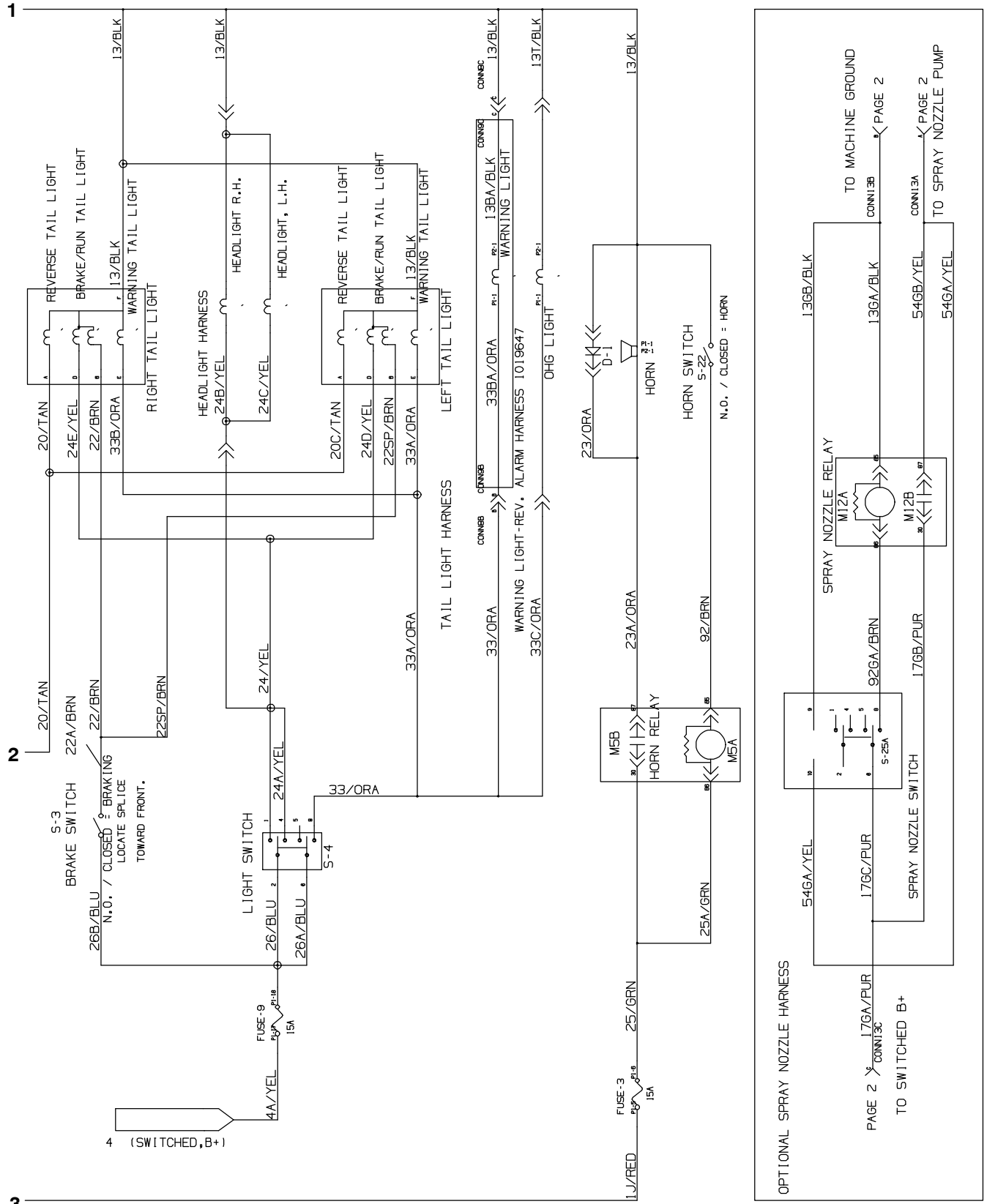
Ref.	Part No.	Serial Number	Description	Qty.
1	77097	(000000-) Fitting, Hyd, E90, Jm04/Om04	2
2	1020394	(000000-) Valve, Cntrl, Hyd (See Breakdowns)	1
3	09740	(000000-) Screw, Hex, M8 X 1.25 X 20, Ss	6
4	1017218	(000000-) Washer, Flat, 0.32b 1.00d .12, Ss	6
5	1021991	(000000-) Bracket, Mtg, Valve, Hyd, Scb	1
6	39210	(000000-001018) Fitting, Hyd, E90, Jf04/Jm04	1
7	395973	(000000-) Fitting, Hyd, Str, Om04/Qm04	1
8	395974	(000000-) Fitting, Hyd, E90, Om04/Qm04	1
9	396476	(000000-001018) Fitting, Hyd, Str, Jf04/Qm04	1
10	42226	(000000-) Fitting, Hyd, E45, Jm08/Om08	1
11	44868	(000000-) Fitting, Hyd, E90, Jm08/Om08	1
12	55586	(000000-001018) Fitting, Hyd, Str, Jm04/Om04	1
13	56820	(000000-) Fitting, Hyd, E90, Jm06/Om06	2
14	46480	(000000-) Fitting, Hyd, Str, Jm10/Om10	1
15	49933	(000000-) Fitting, Hyd, Tee, Jm08/Jm08/Om08, Br	1
16	69173	(000000-) Fitting, Hyd, E90, Jm08/Om08, L	1
17	46482	(000000-) Fitting, Hyd, Plug, Om06	1
18	56820	(000000-001037) Fitting, Hyd, E90, Jm06/Om06	1
19	71727	(001038-) Fitting, Hyd, E90, Jm06/Om06, L	1
20	395973	(001019-) Fitting, Hyd, Str, Om04/Qm04	1

Fig. 71 - Electrical Schematic (000000-001499)



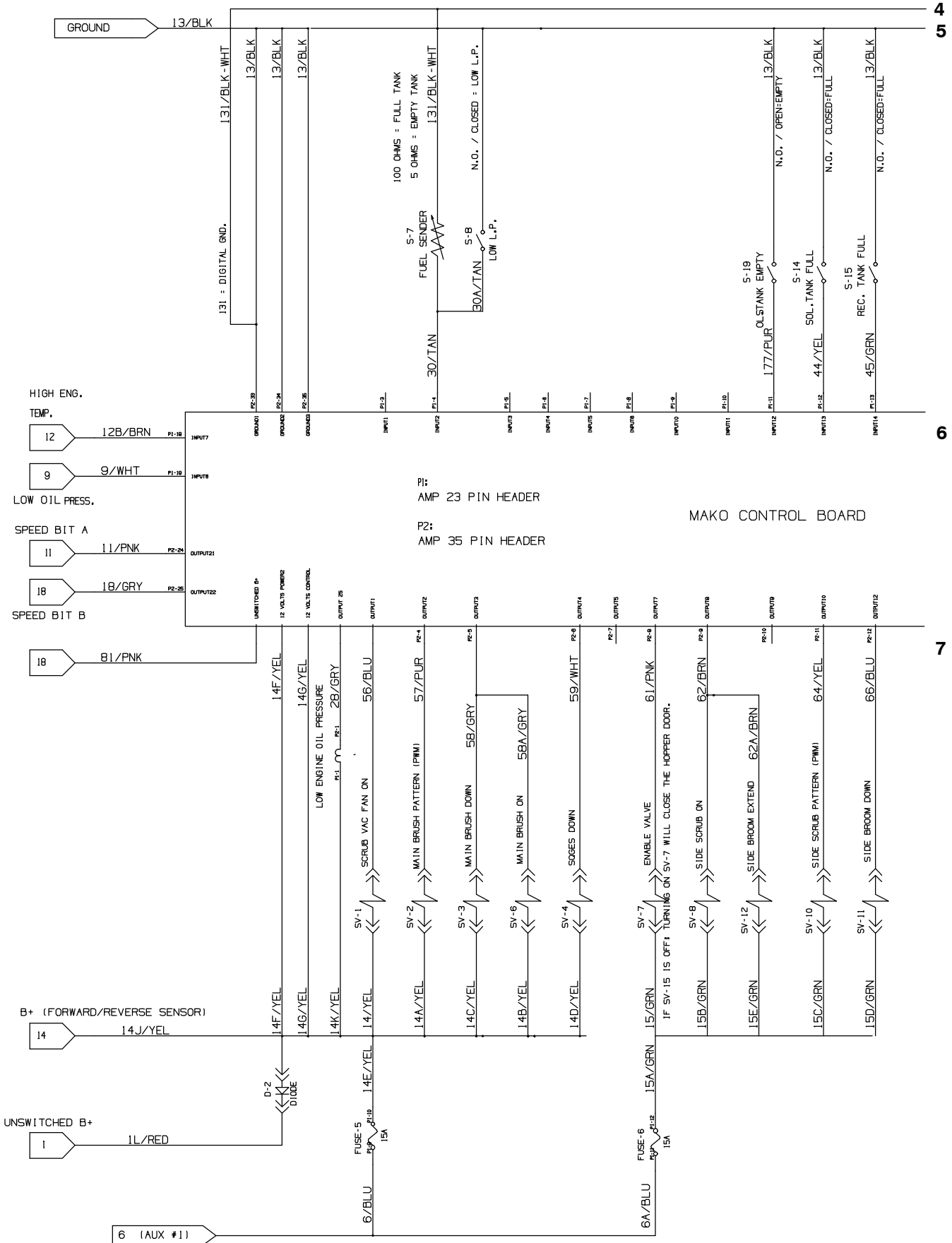
354405 - 1029601

Fig. 71 - Electrical Schematic (000000-001499)



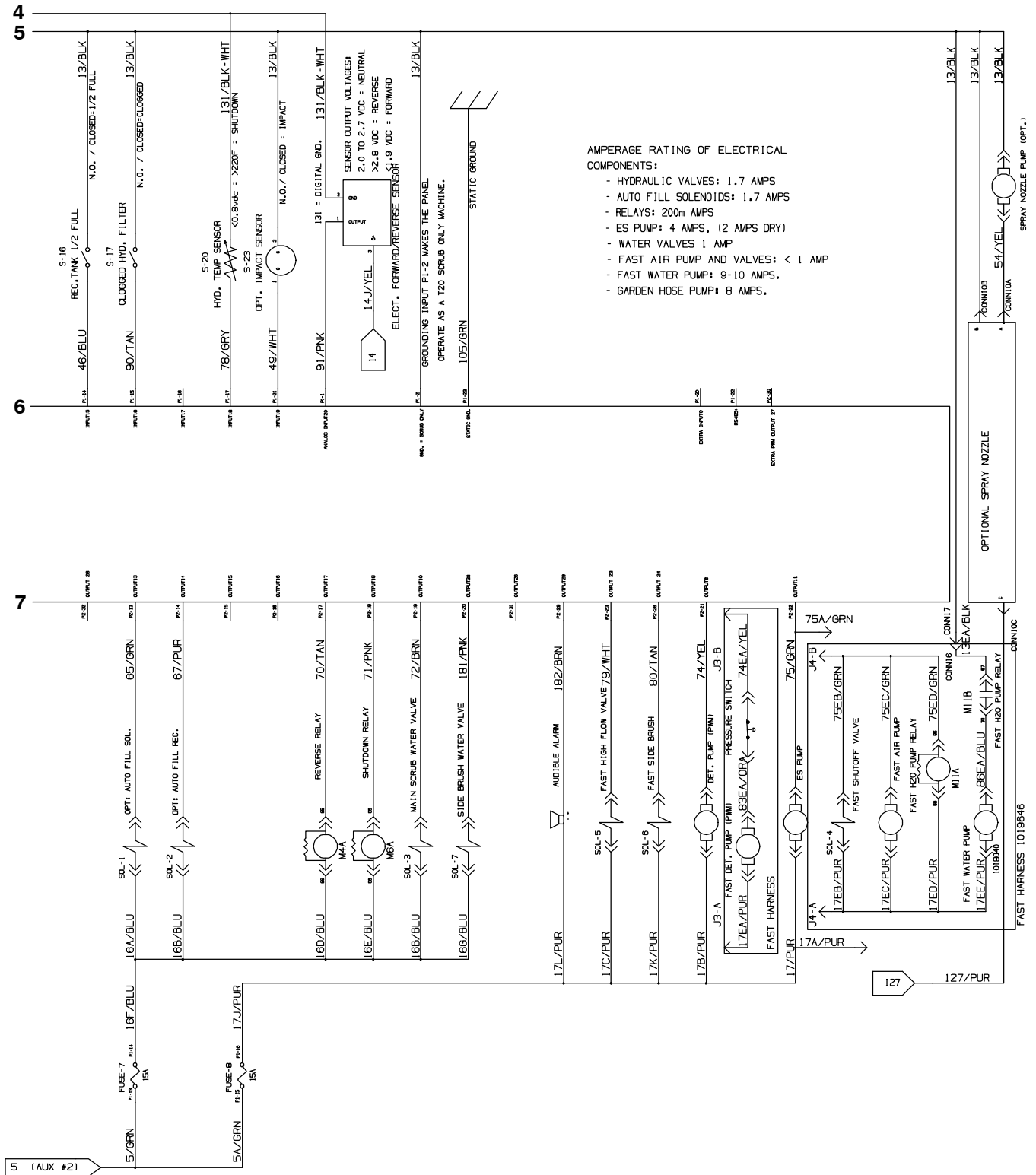
354405 - 1029601

Fig. 71 - Electrical Schematic (000000-001499)



354405 - 1029601

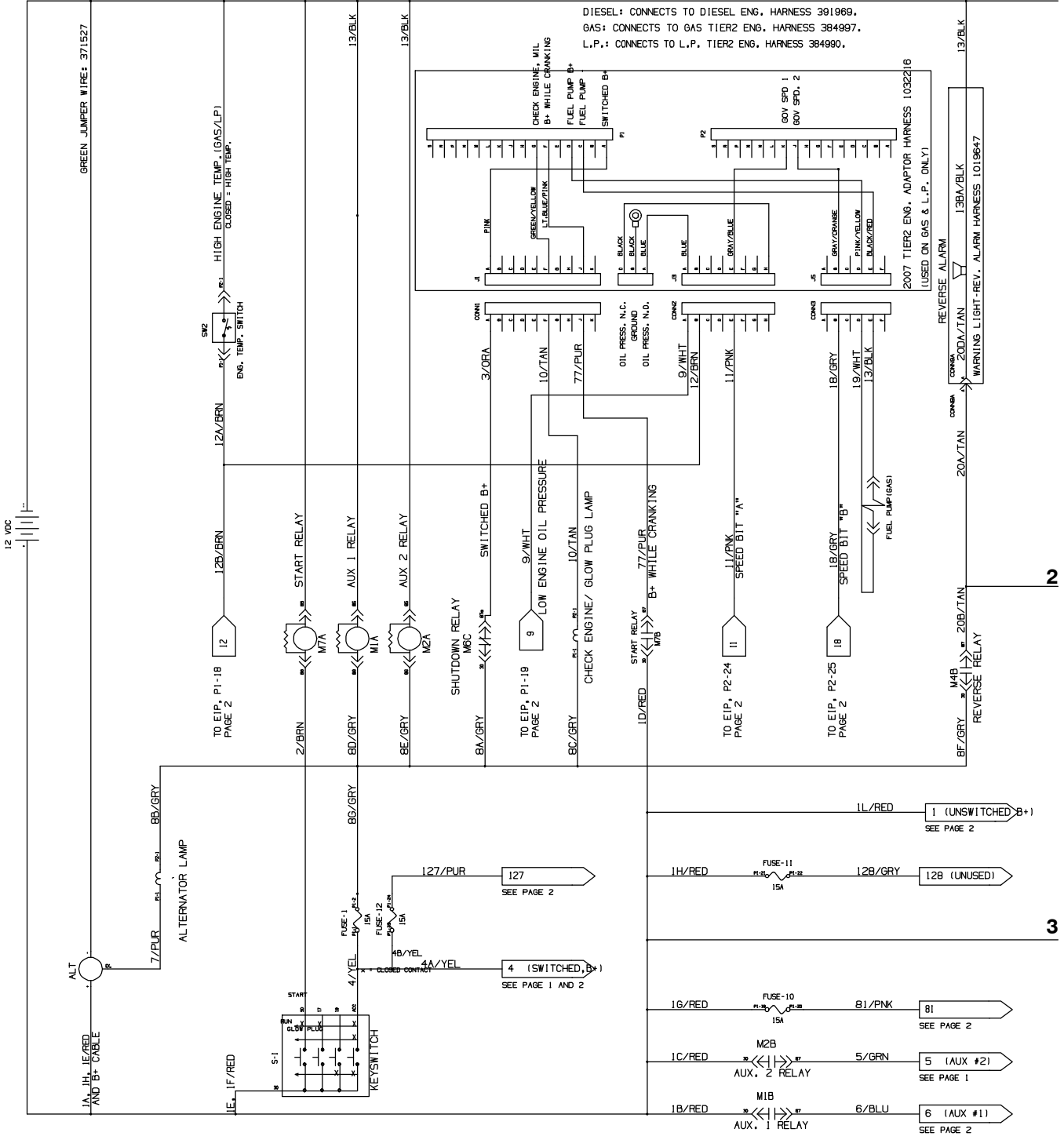
Fig. 71 - Electrical Schematic (00000-001499)



354405 - 1029601

Fig. 72 - Electrical Schematic (001500-001742)

1



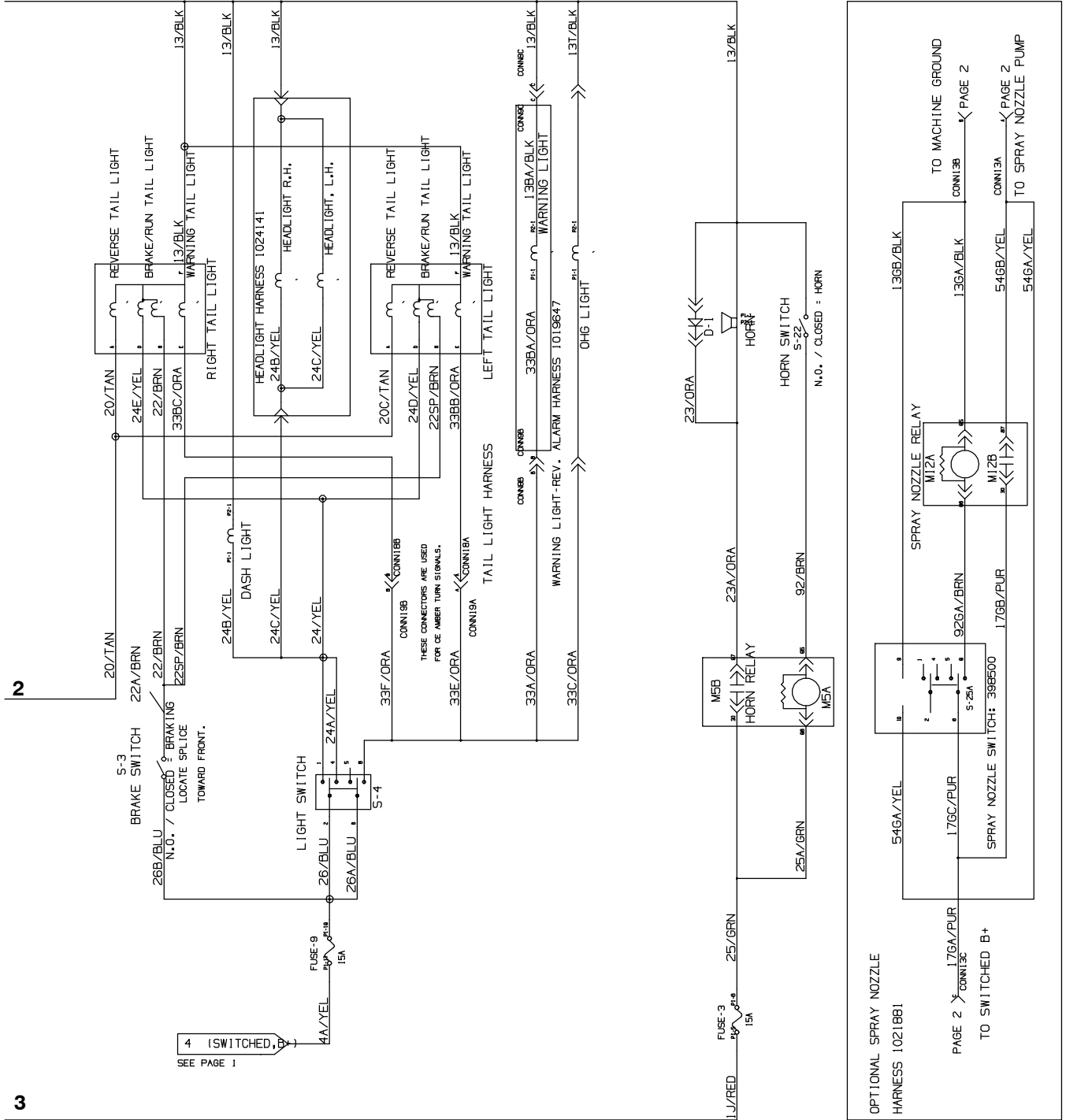
2

3

354405 - 1029601

Fig. 72 - Electrical Schematic (001500-001742)

1

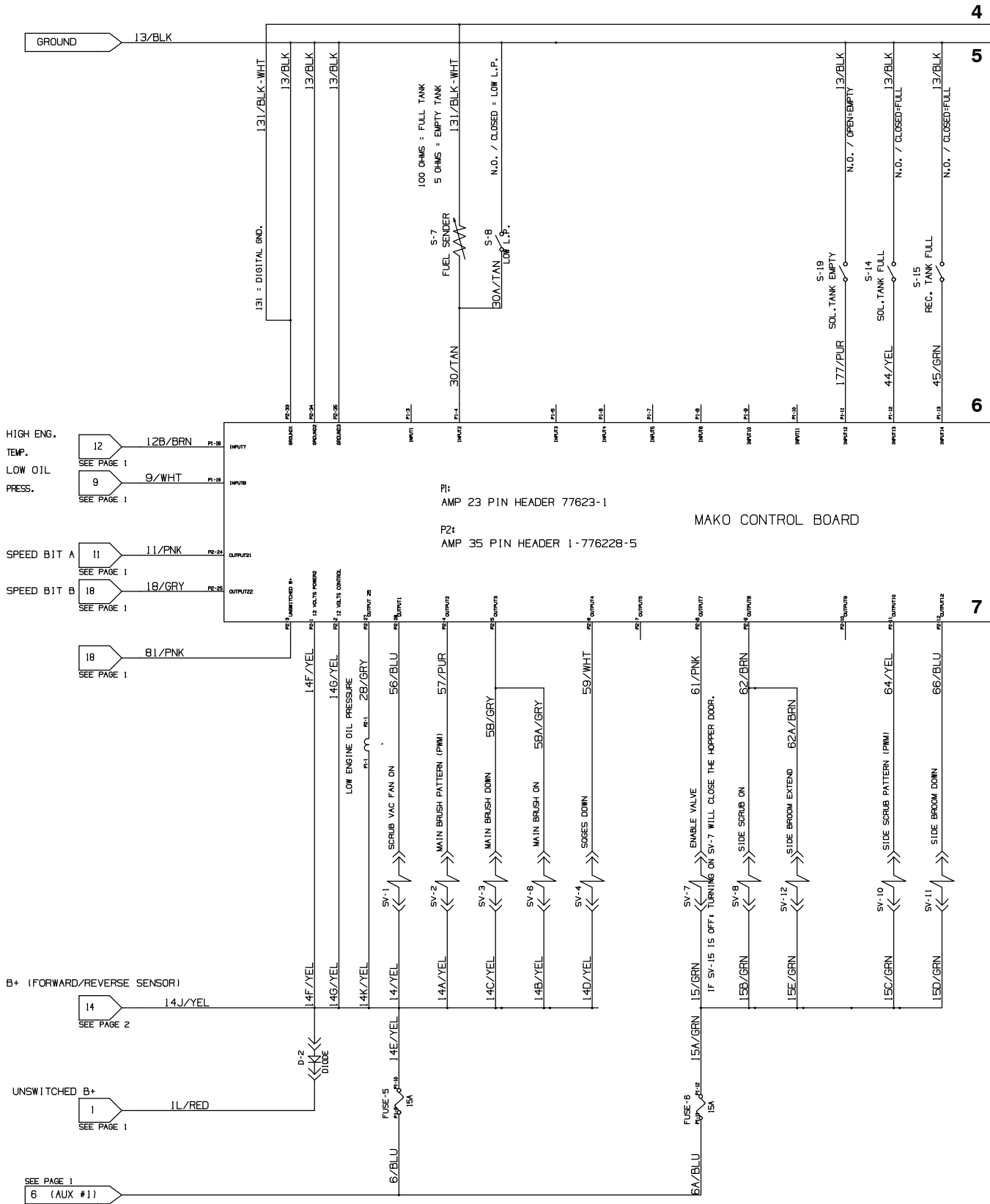


2

3

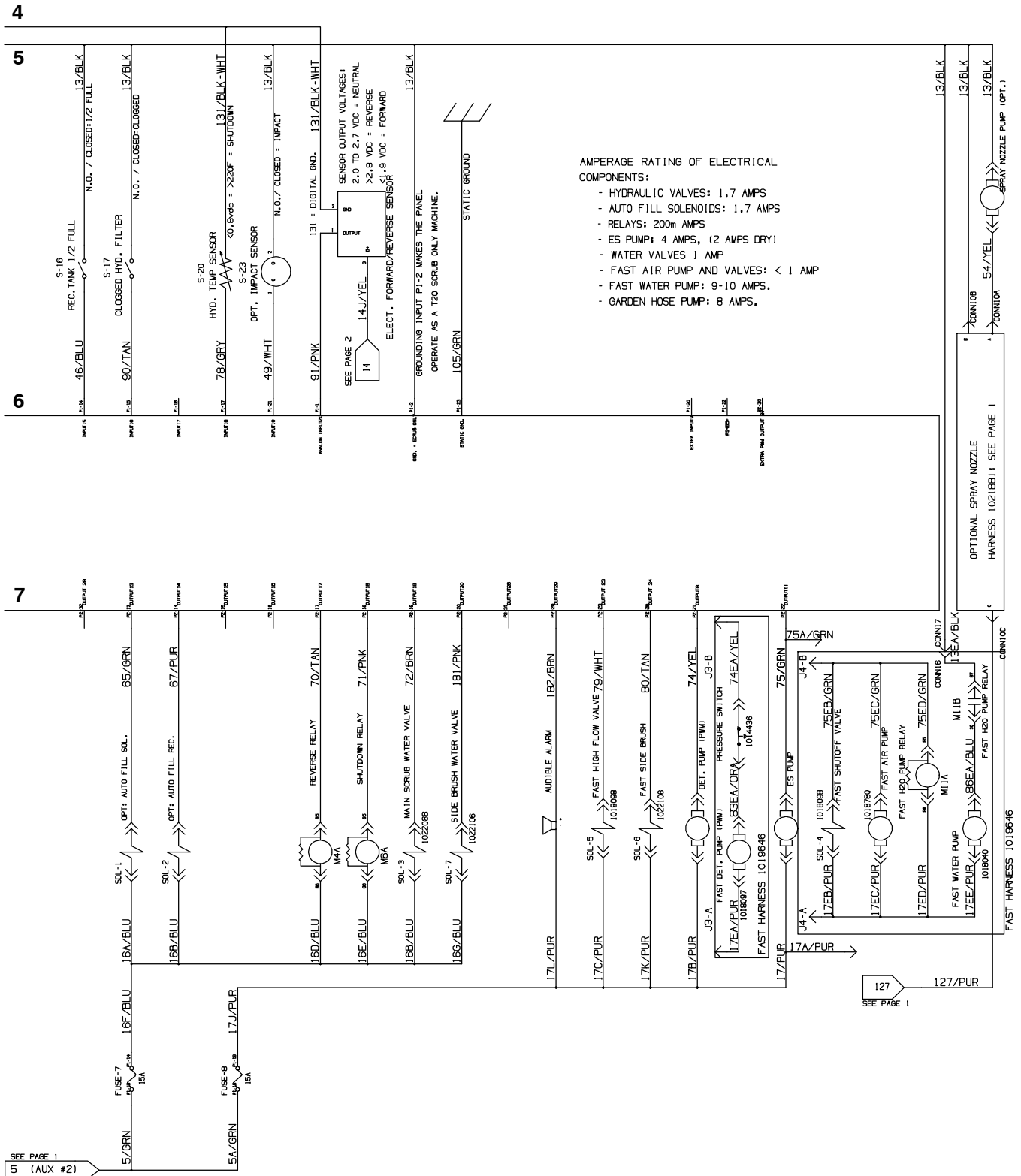
354405 - 1029601

Fig. 72 - Electrical Schematic (001500-001742)



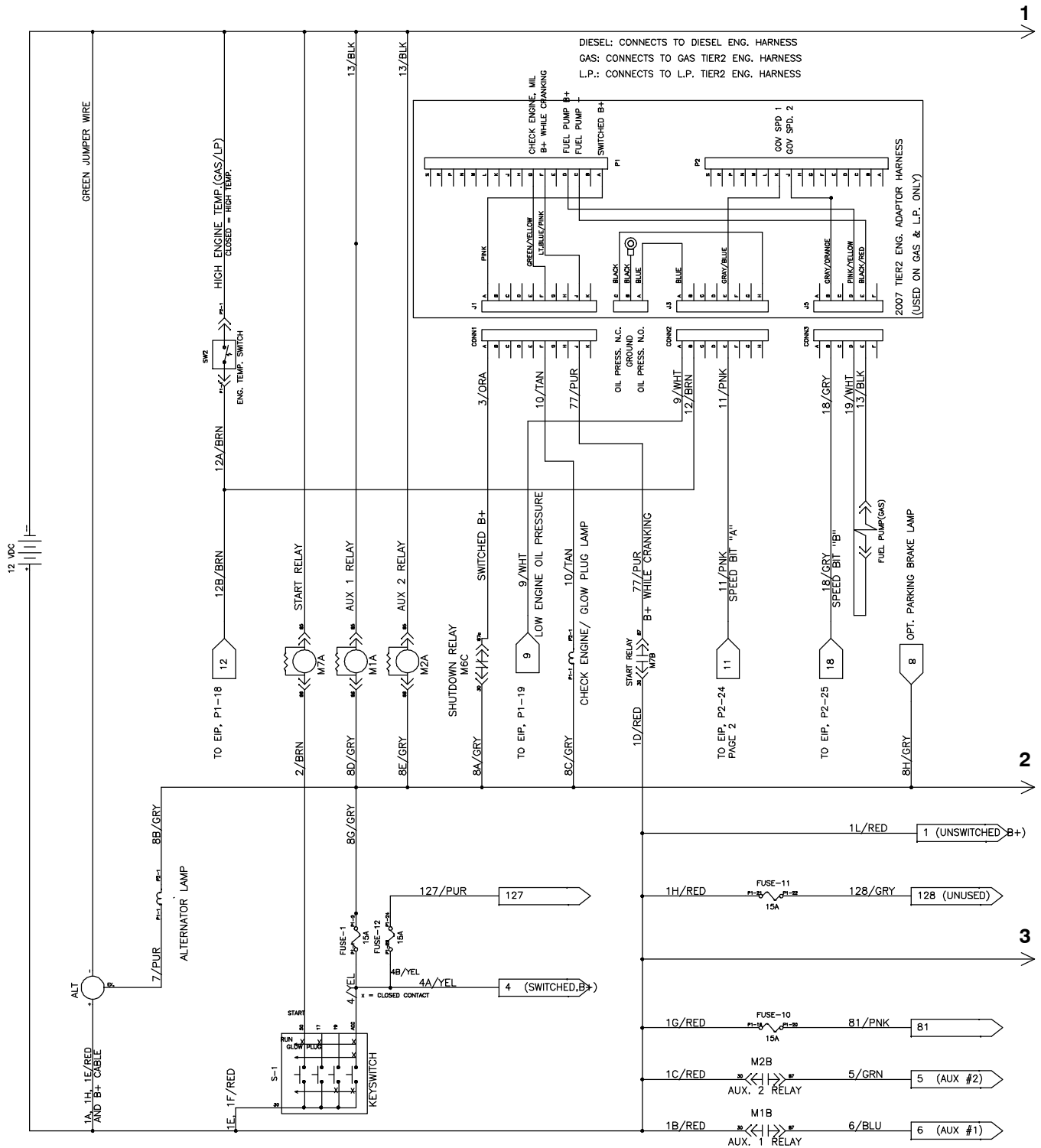
354405 - 1029601

Fig. 72 - Electrical Schematic (001500-001742)



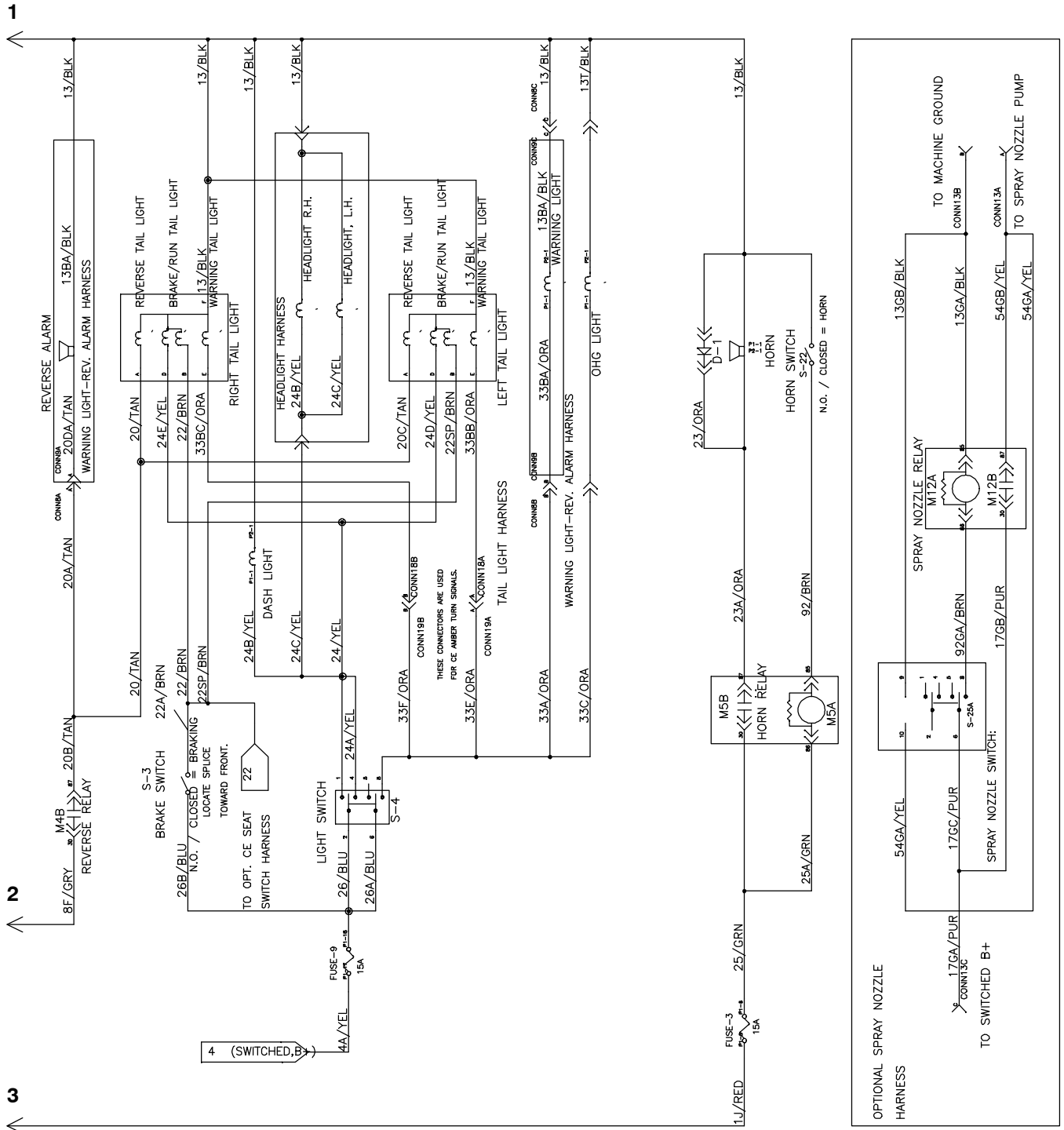
354405 - 1029601

Fig. 73 - Electrical Schematic (001743-)



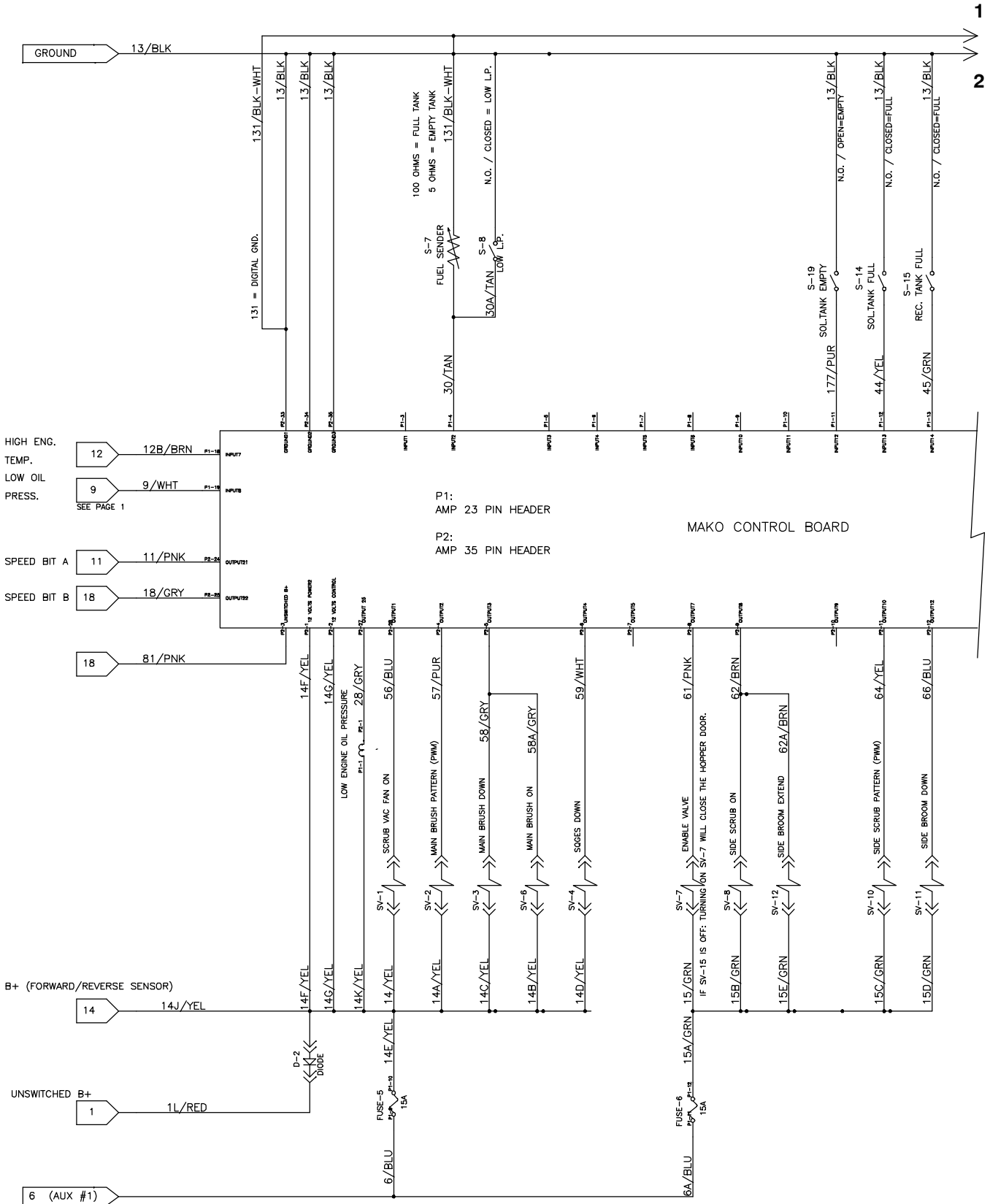
354405 - 1029601

Fig. 73 - Electrical Schematic (001743-)



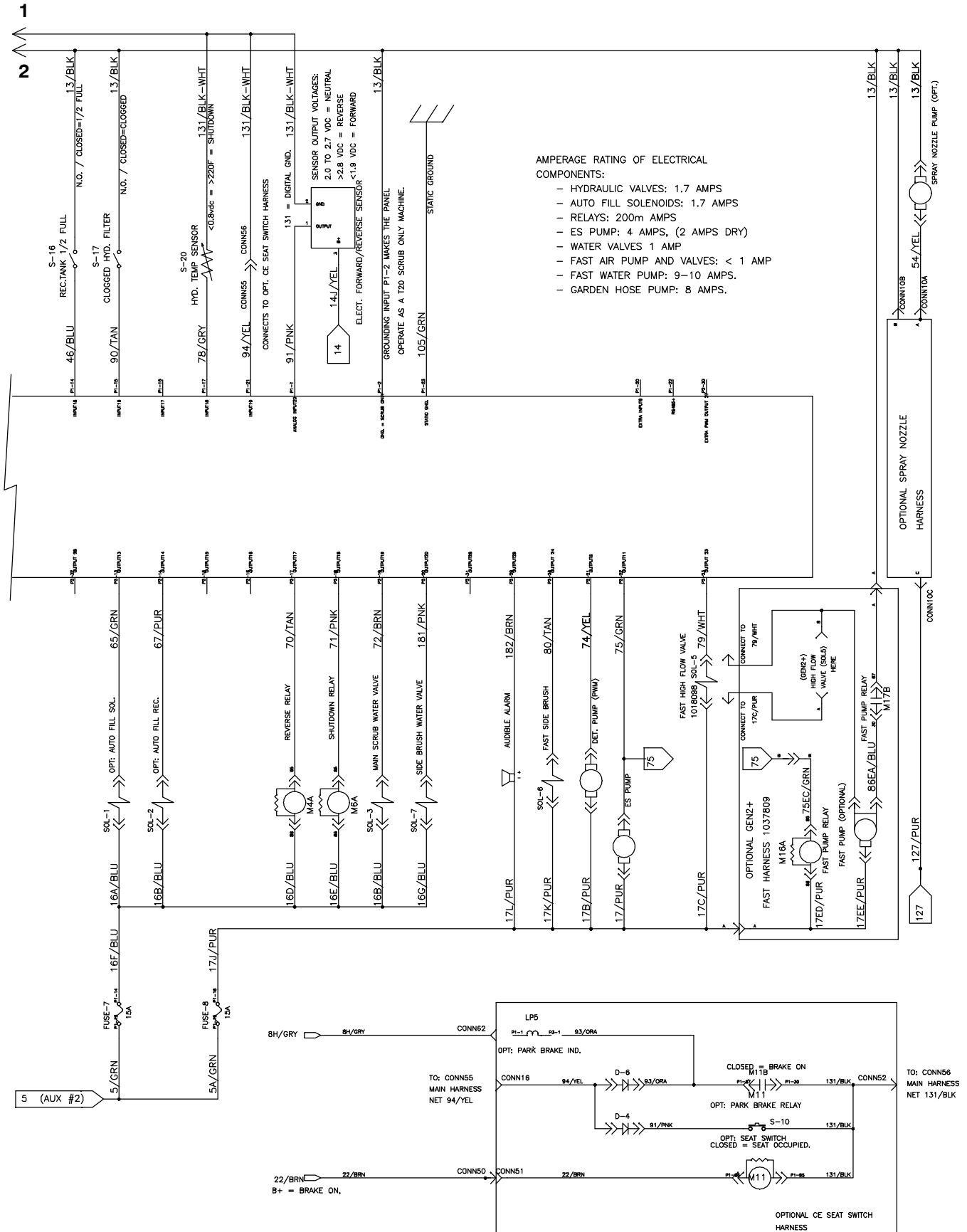
354405 - 1029601

Fig. 73 - Electrical Schematic (001743-)



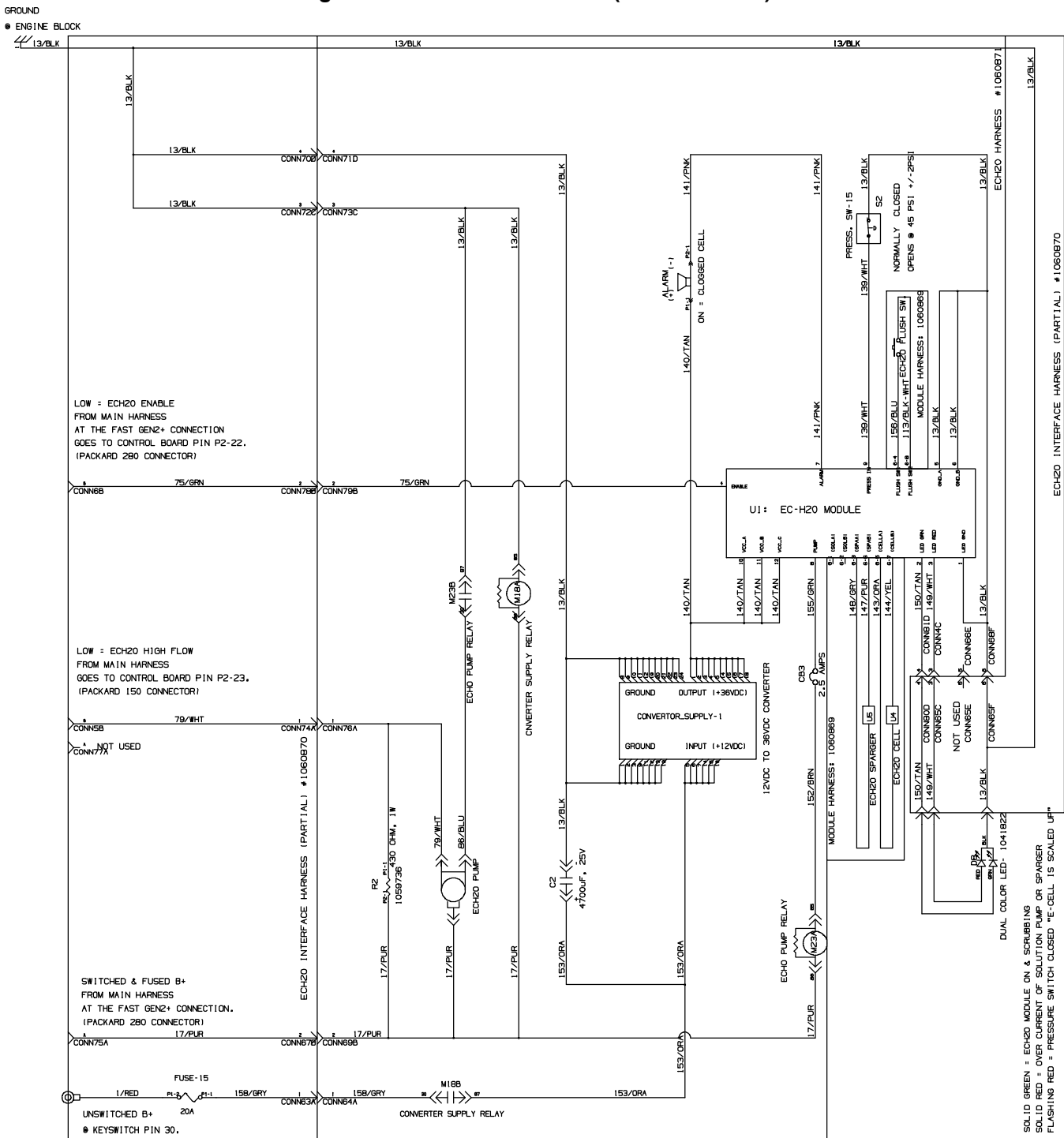
354405 - 1029601

Fig. 73 - Electrical Schematic (001743-)



354405 - 1029601

Fig. 73 - Electrical Schematic (001743-)



EC-H2O OPTION

354405 - 1029601

Fig. 74 - Electrical Schematic, Gasoline/LPG Engine Harness (000000-001499)

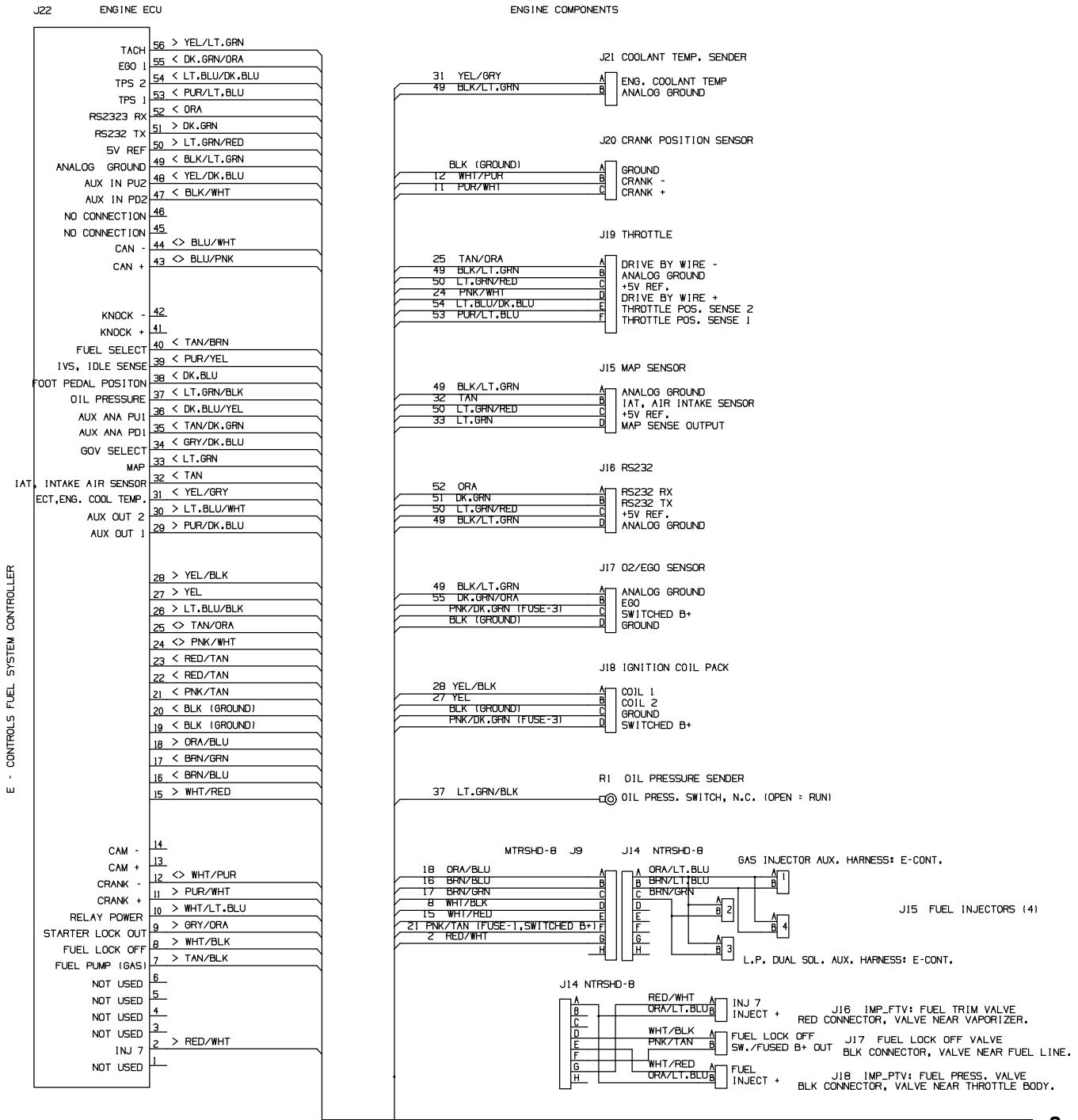
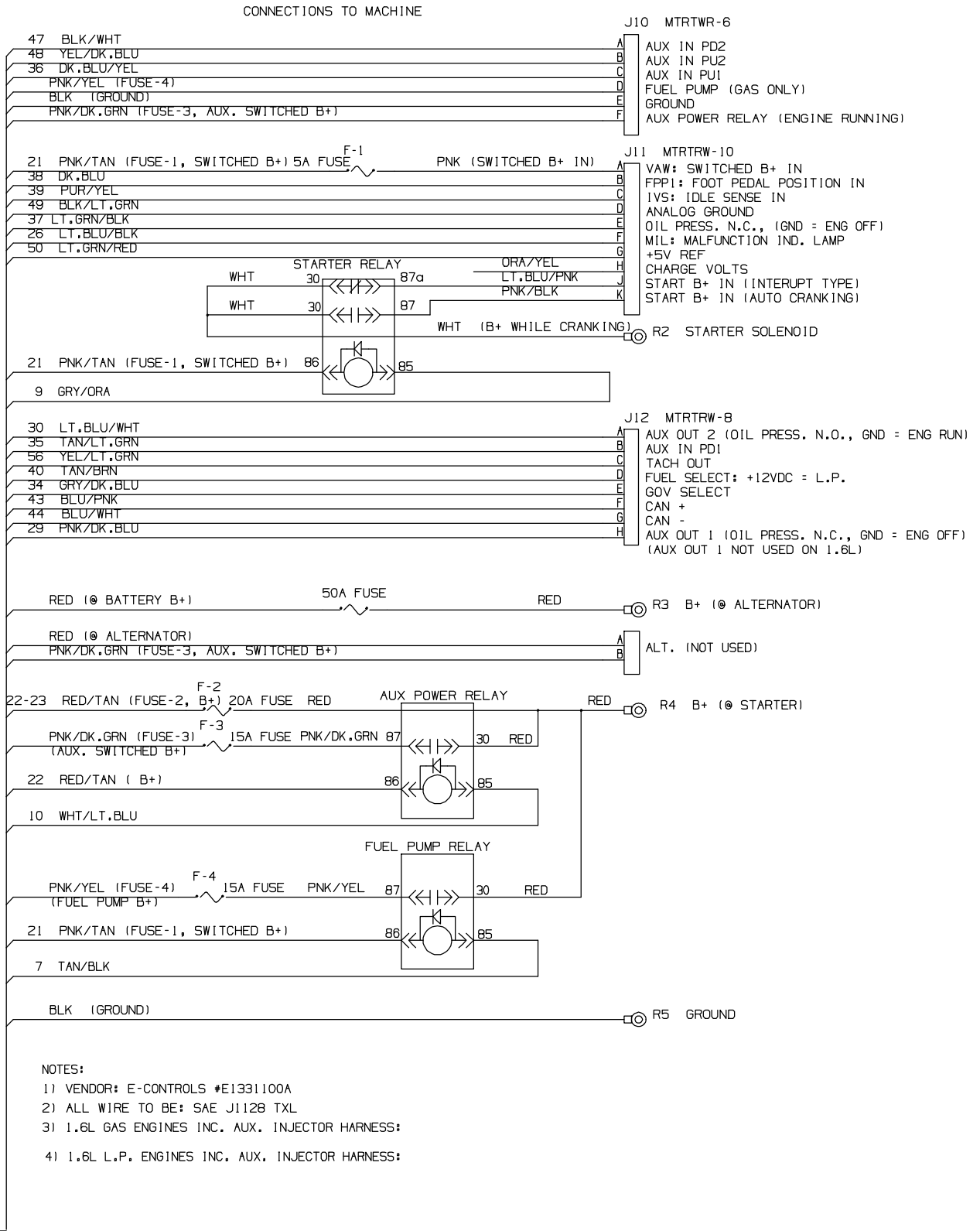


Fig. 74 - Electrical Schematic, Gasoline/LPG Engine Harness (000000-001499)



8

STANDARD PARTS

Fig. 75 - Electrical Schematic, Gas Engine Harness (001500-002140)

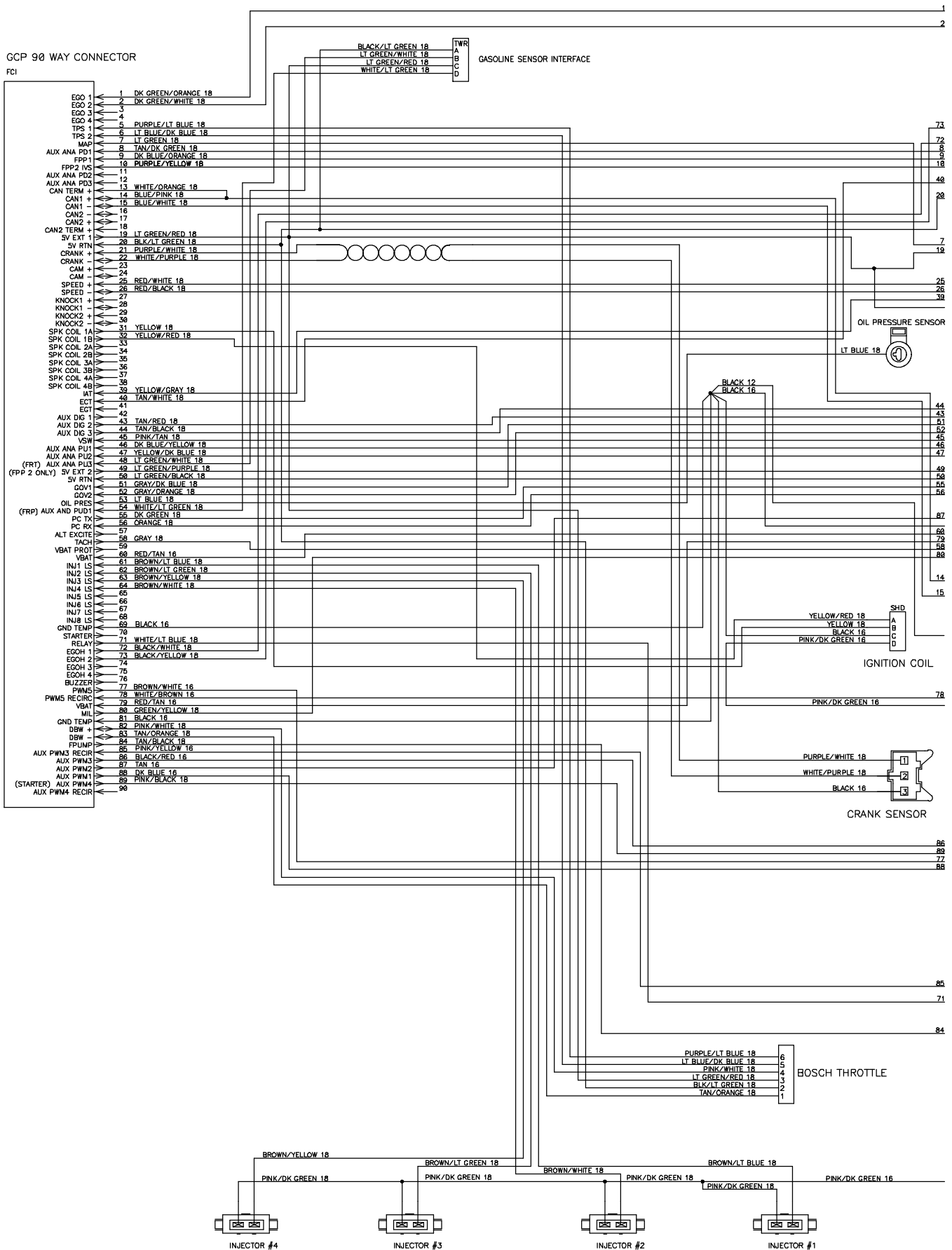
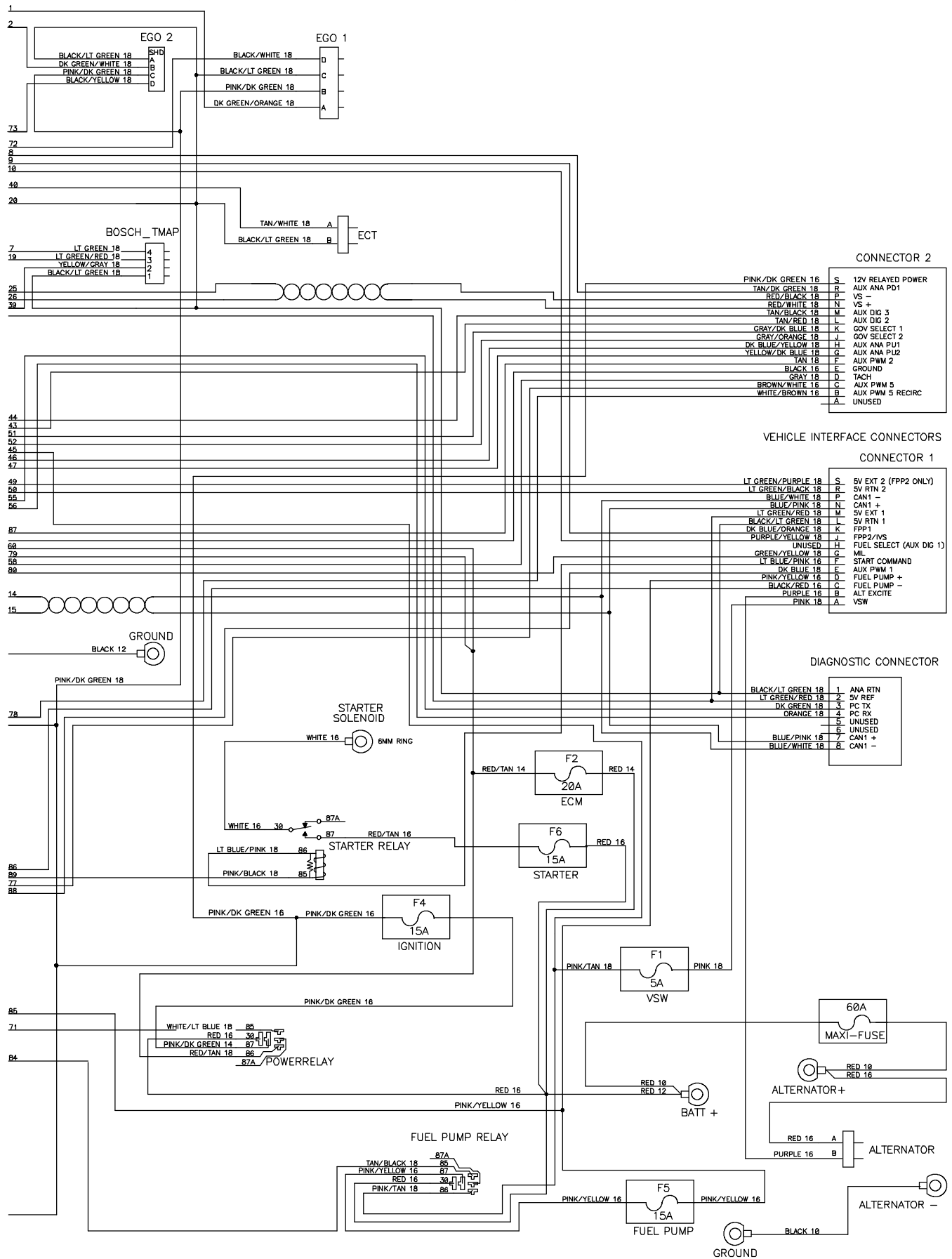
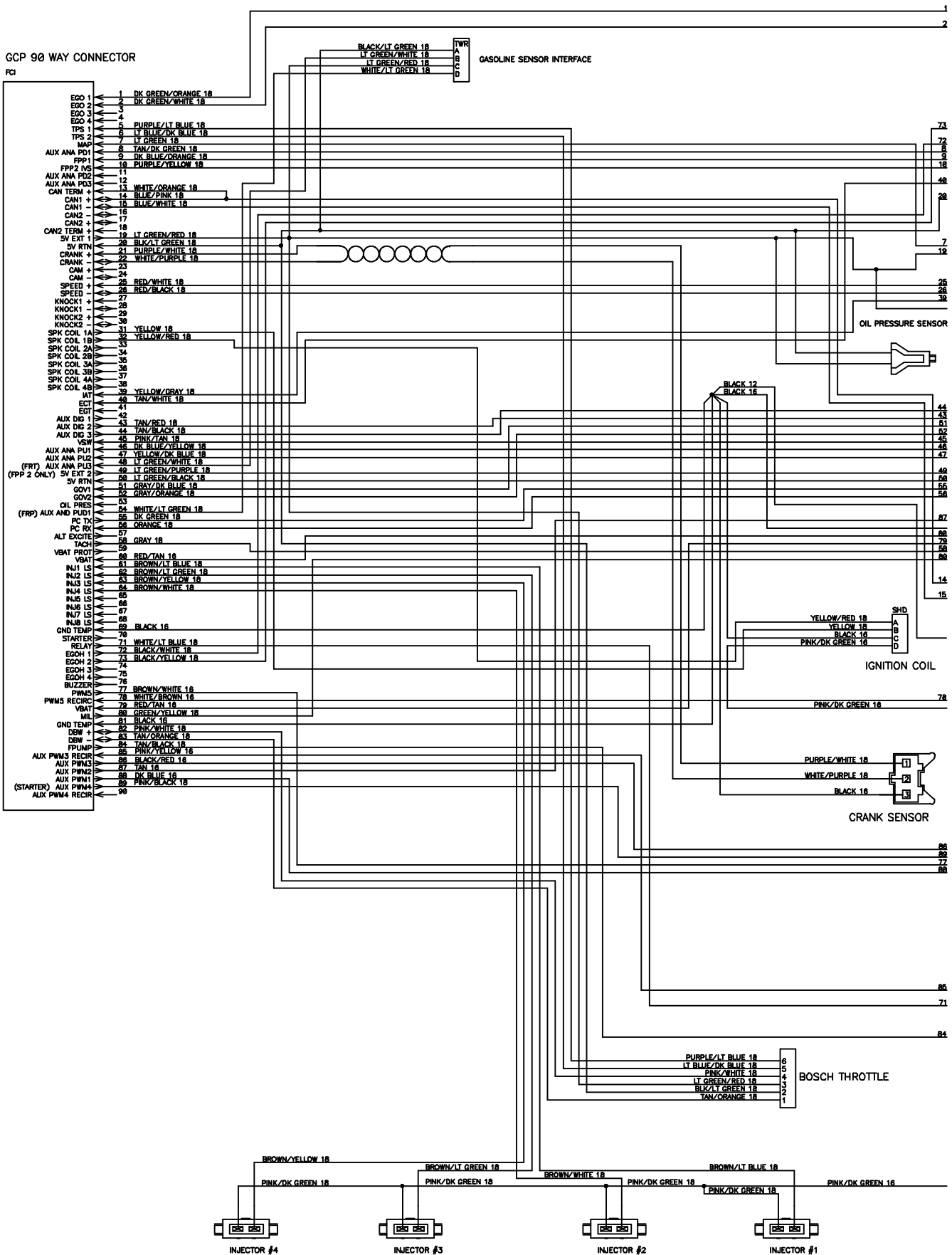


Fig. 75- Electrical Schematic, Gas Engine Harness (001500-002140)



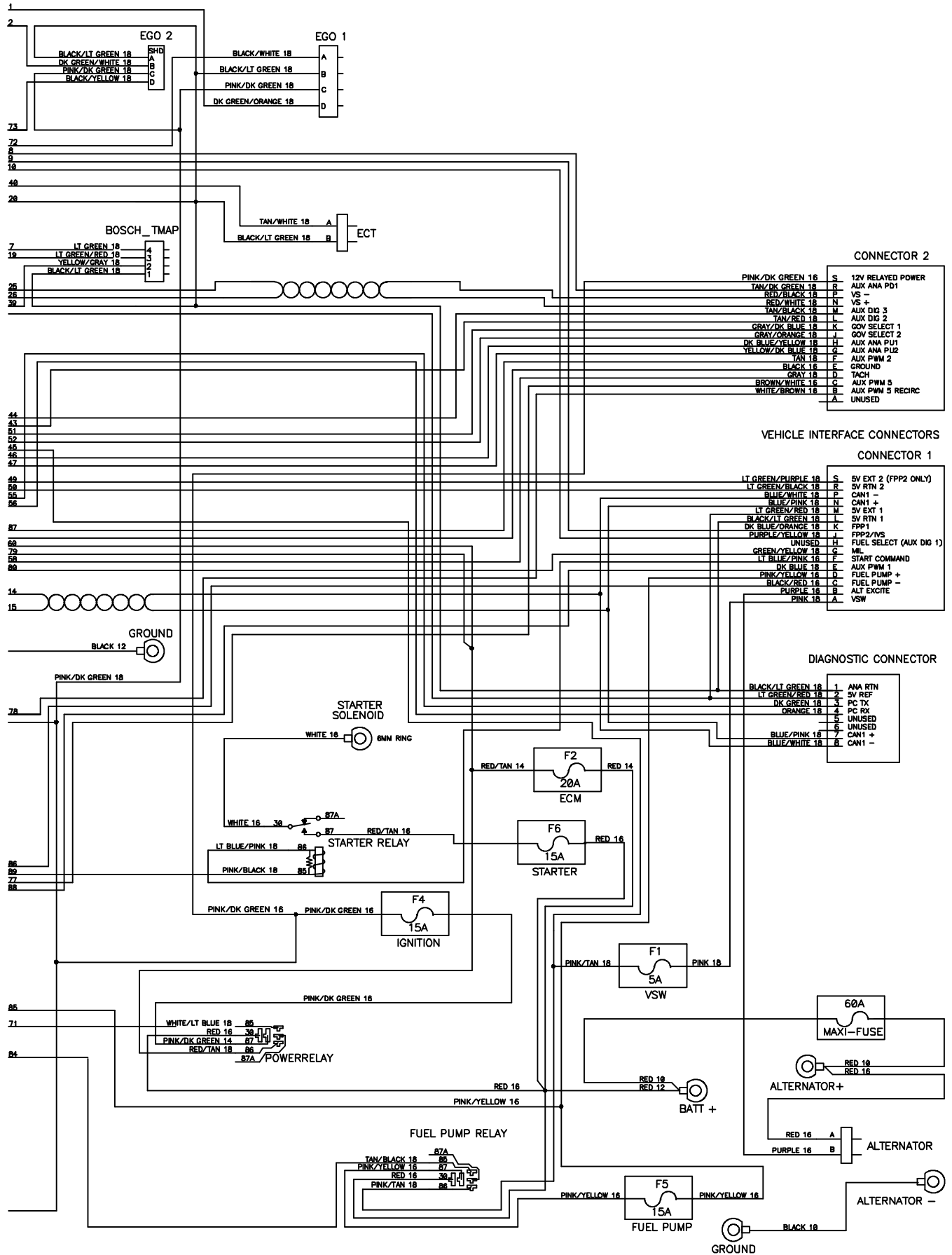
STANDARD PARTS

Fig. 76 - Electrical Schematic, Gas Engine Harness (002141-)



384997 - 354495

Fig. 76 - Electrical Schematic, Gas Engine Harness (002141-)



STANDARD PARTS

Fig. 77 - Electrical Schematic, LPG Engine Harness (001500-002140)

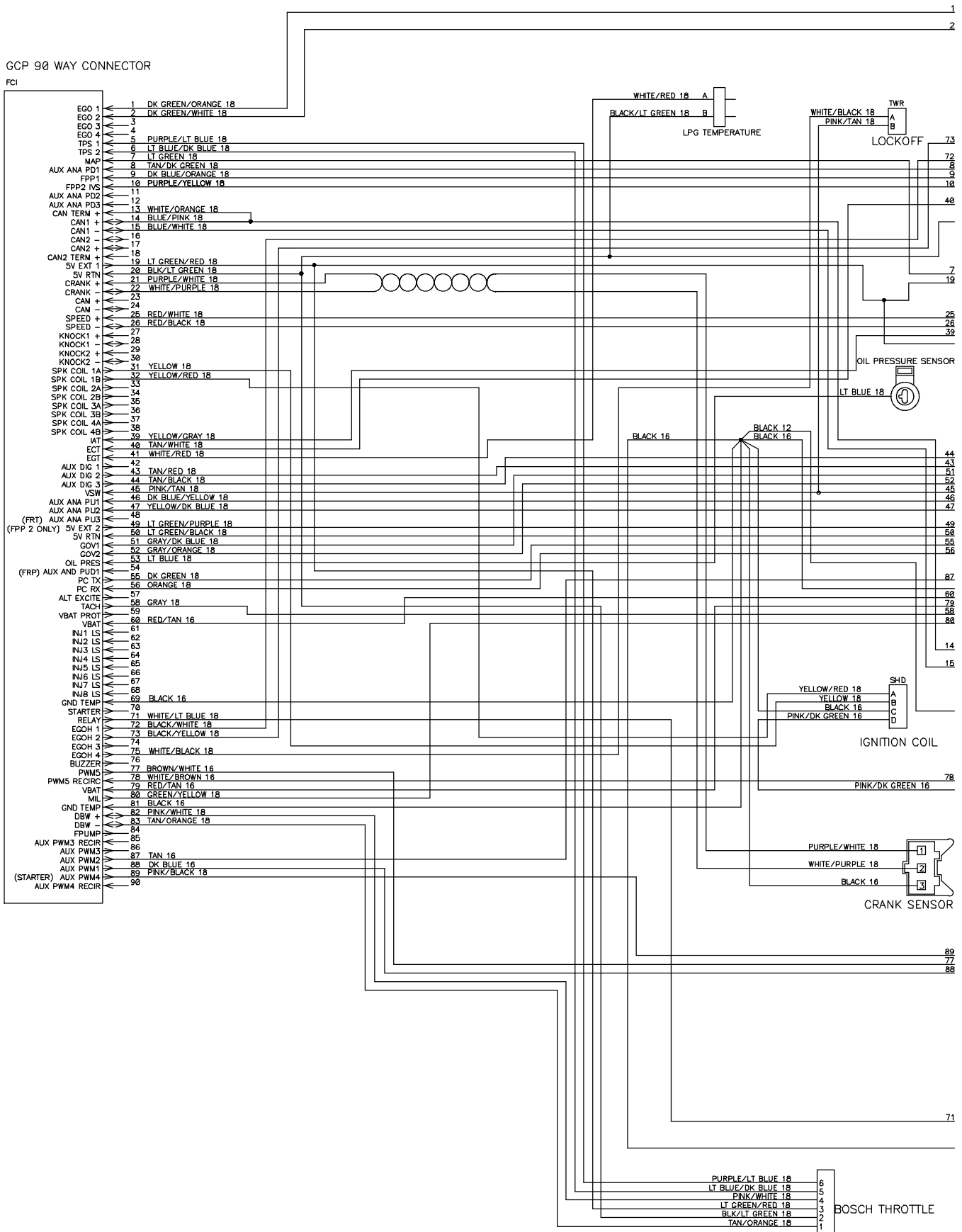
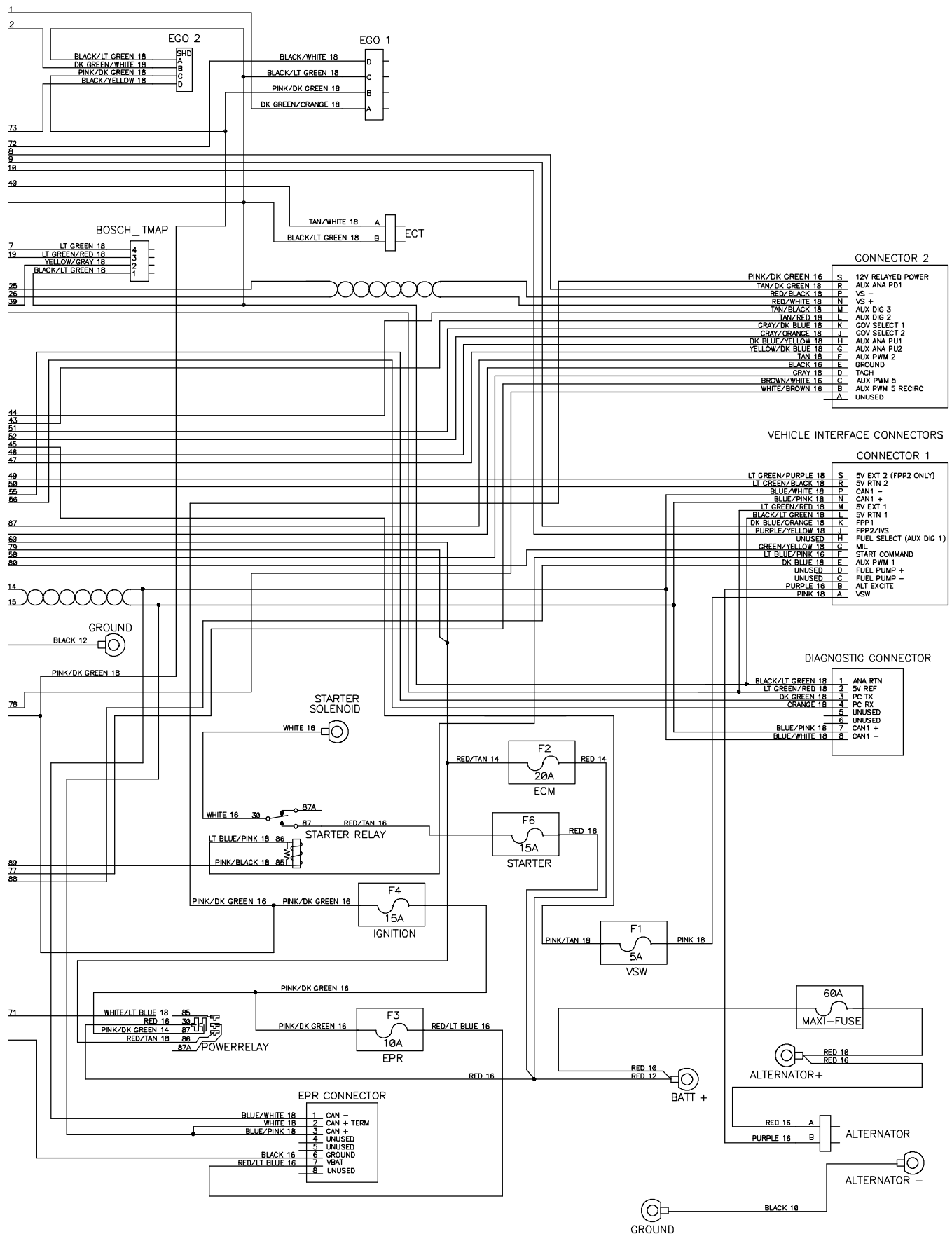
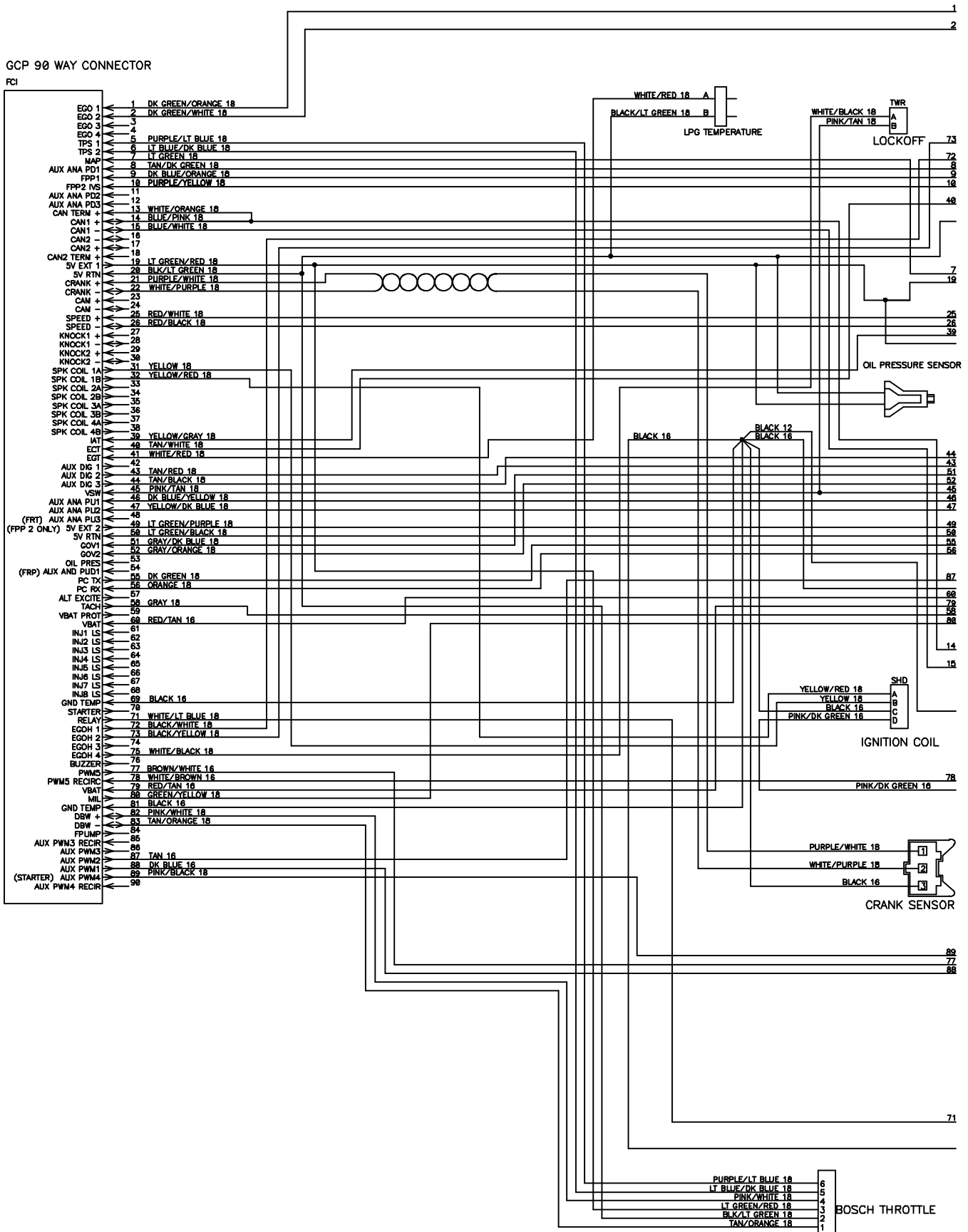


Fig. 77 - Electrical Schematic, LPG Engine Harness (001500-002140)



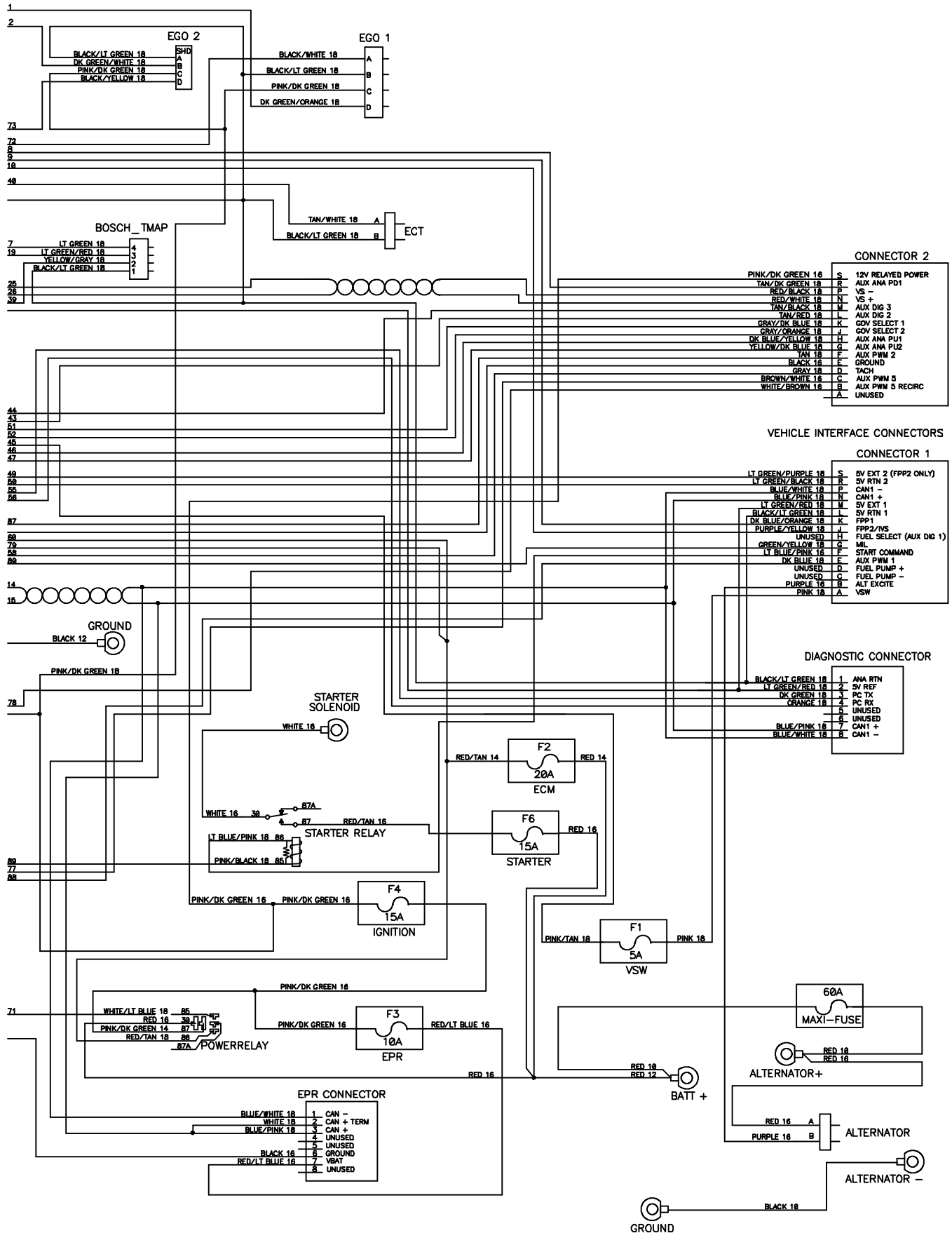
STANDARD PARTS

Fig. 78 - Electrical Schematic, LPG Engine Harness (002141-)



384990 - 354497

Fig. 78 - Electrical Schematic, LPG Engine Harness (002141-)



384990 - 354498

Fig. 79 - Electrical Wire Harness Group, Main

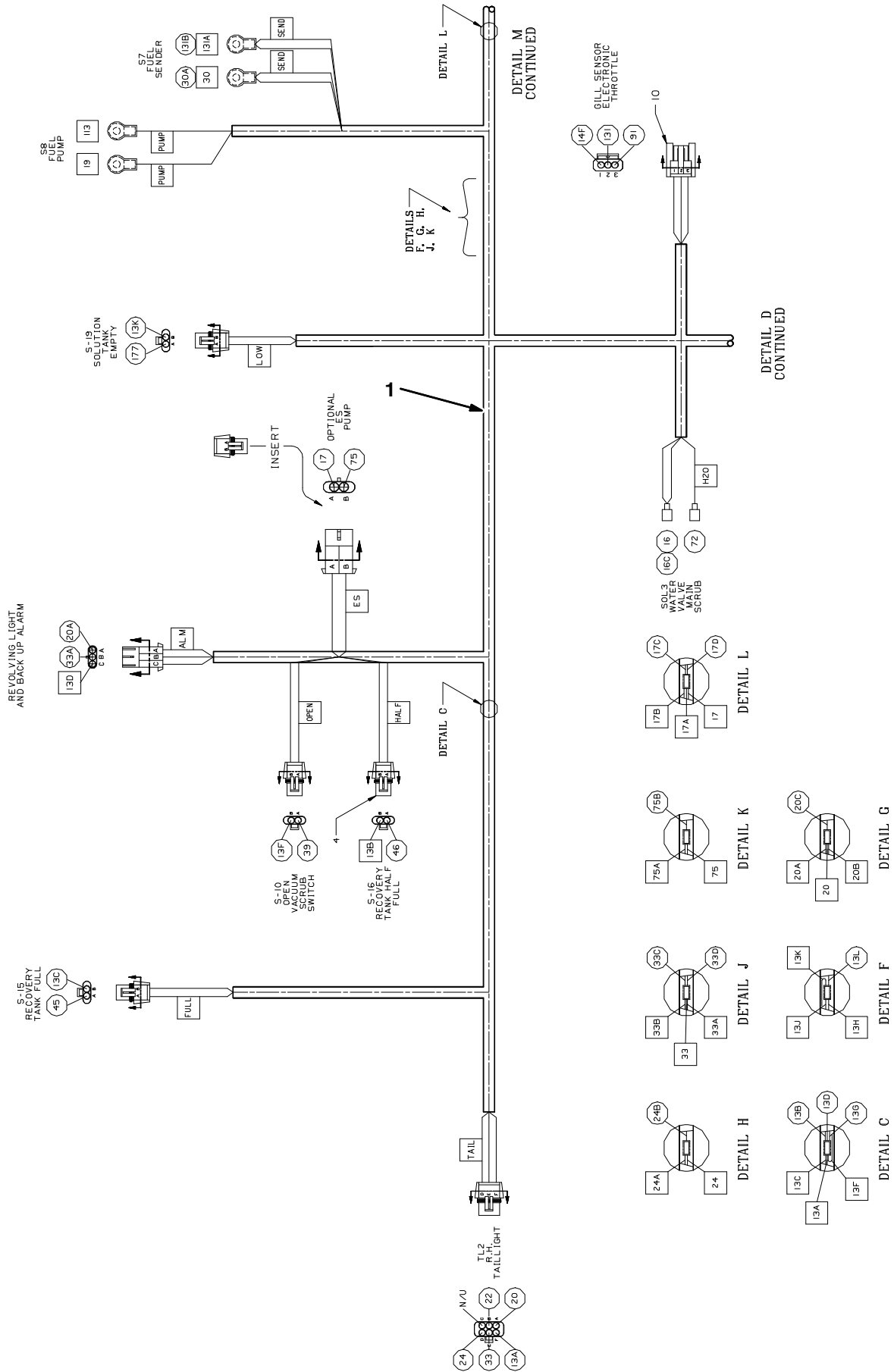


Fig. 79 - Electrical Wire Harness Group, Main

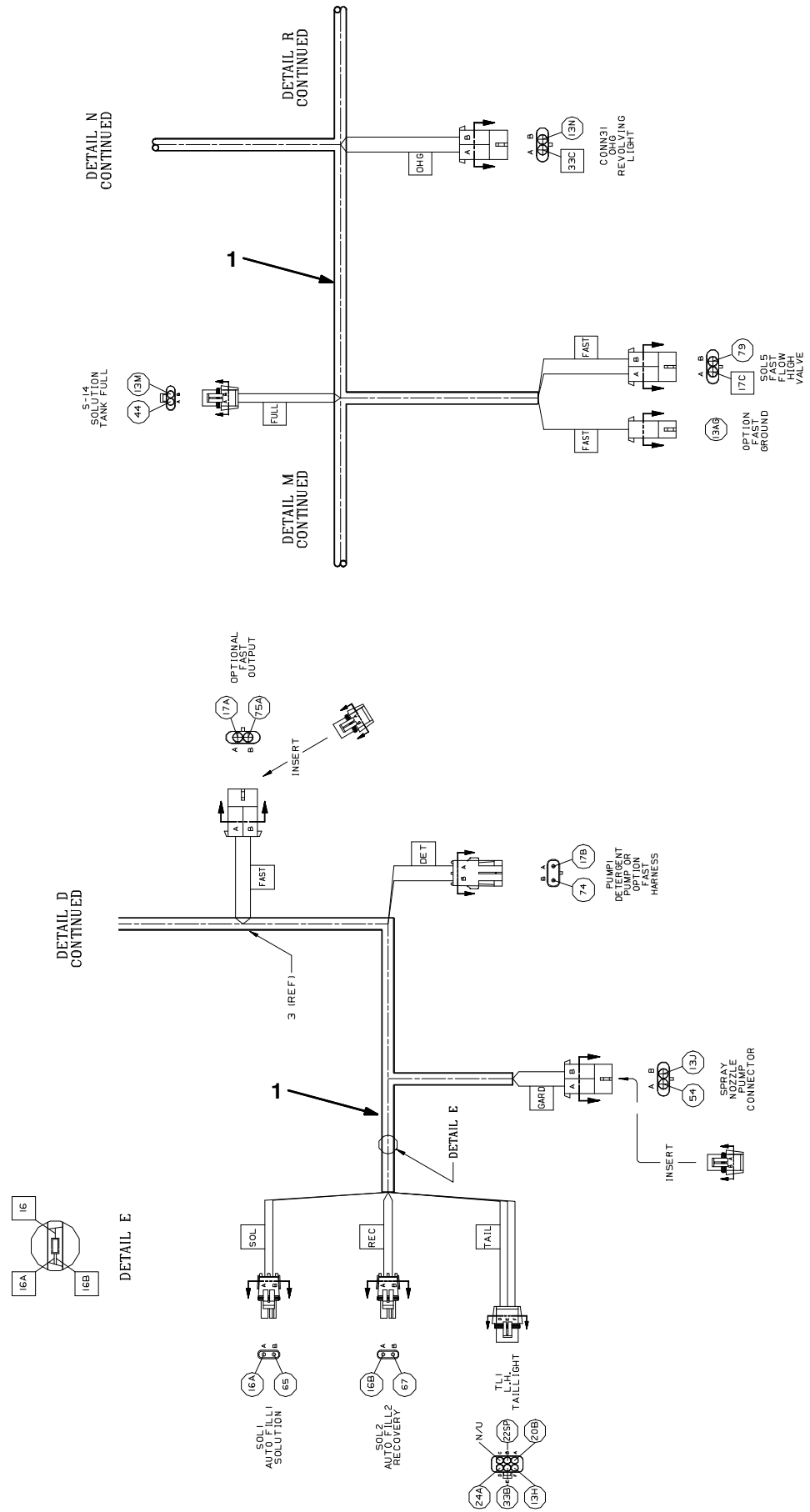


Fig. 79 - Electrical Wire Harness Group, Main

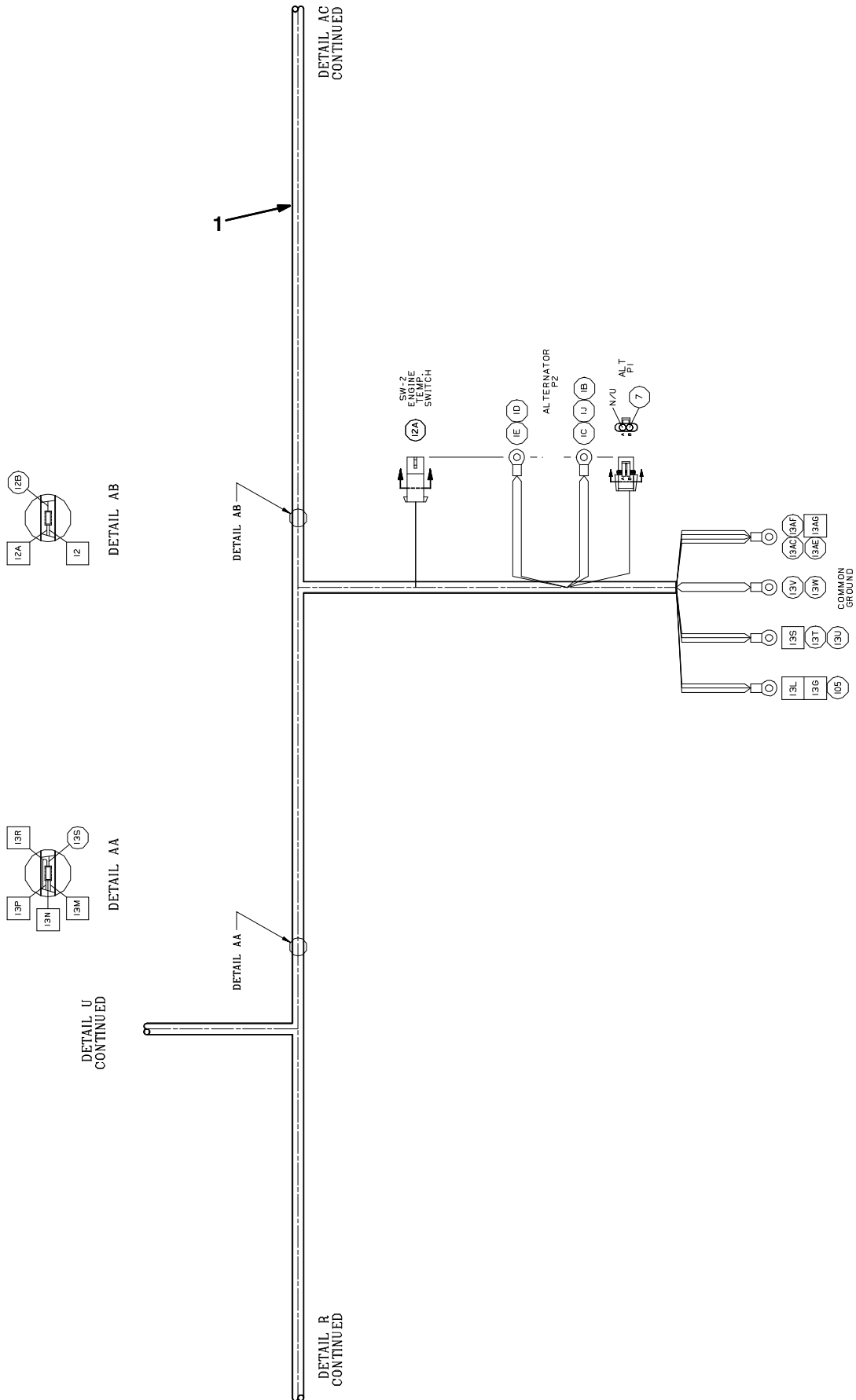


Fig. 79 - Electrical Wire Harness Group, Main

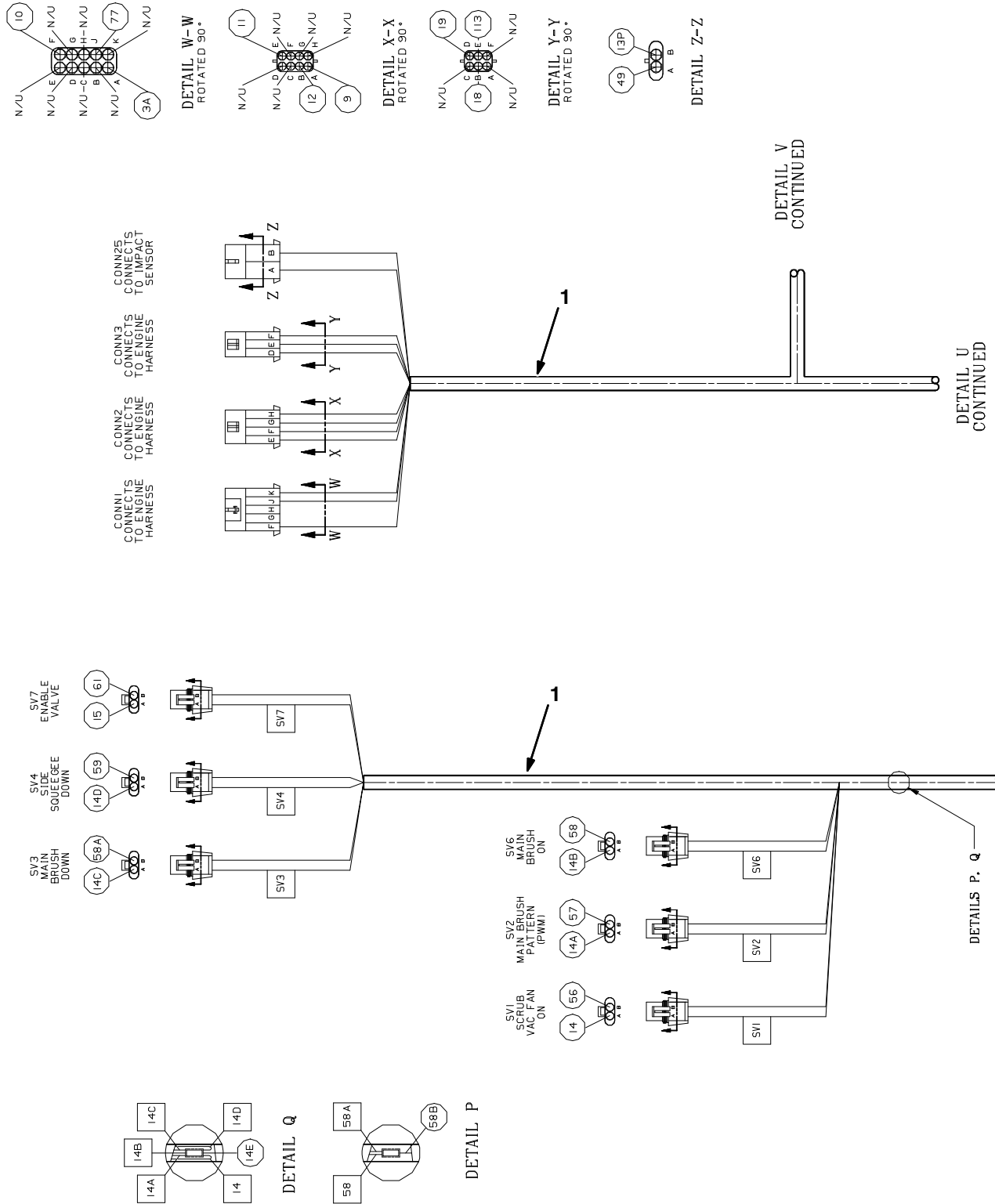


Fig. 79 - Electrical Wire Harness Group, Main

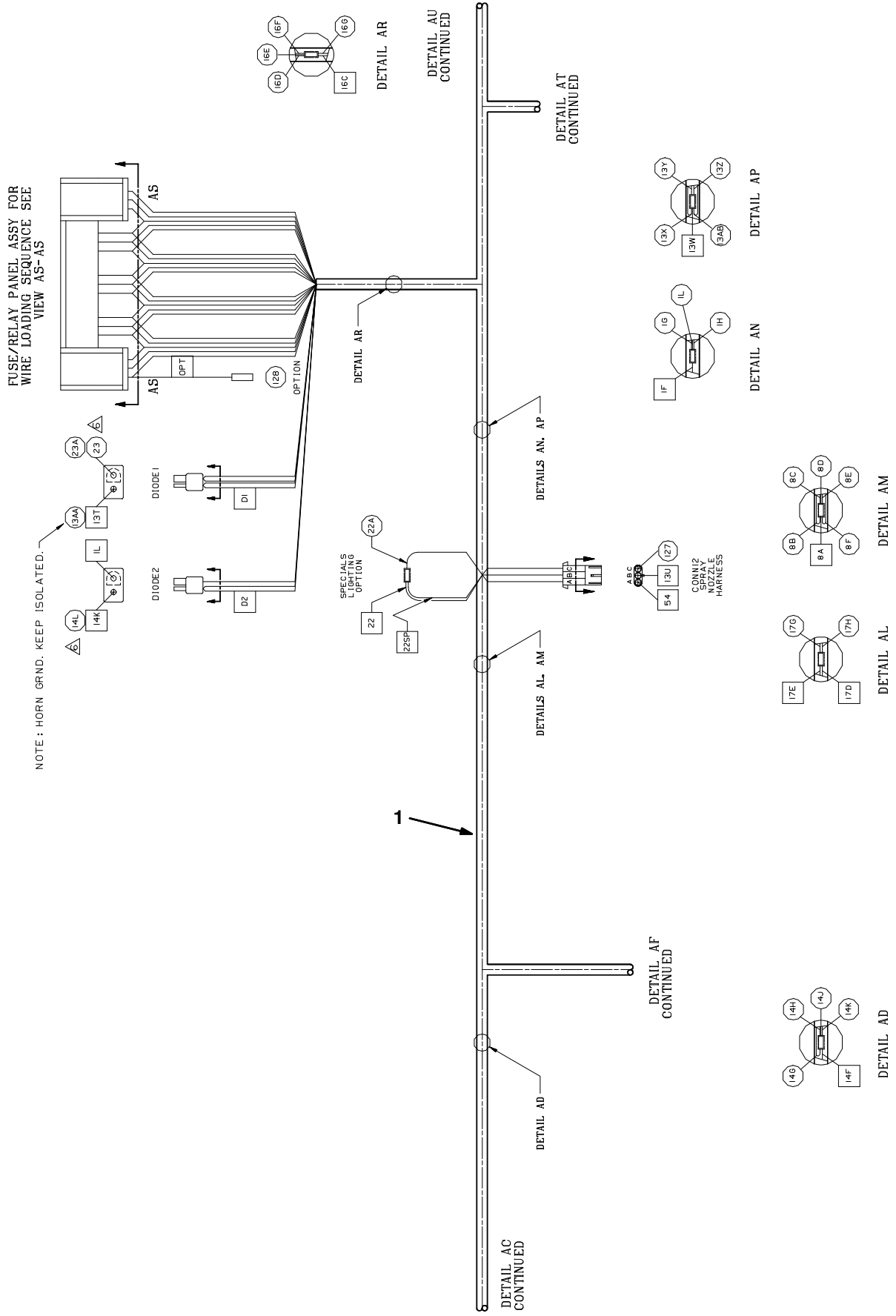


Fig. 79 - Electrical Wire Harness Group, Main

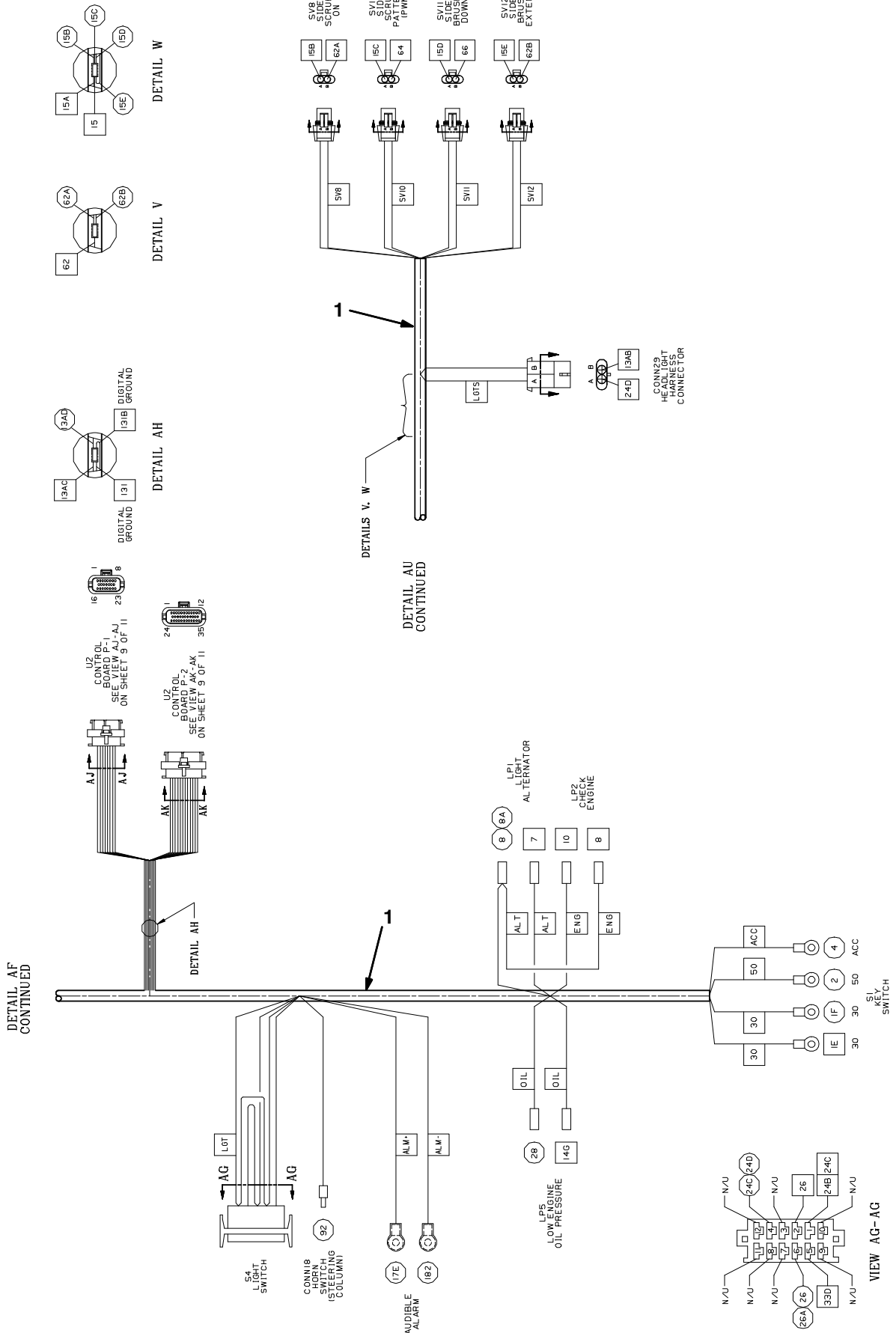


Fig. 79 - Electrical Wire Harness Group, Main

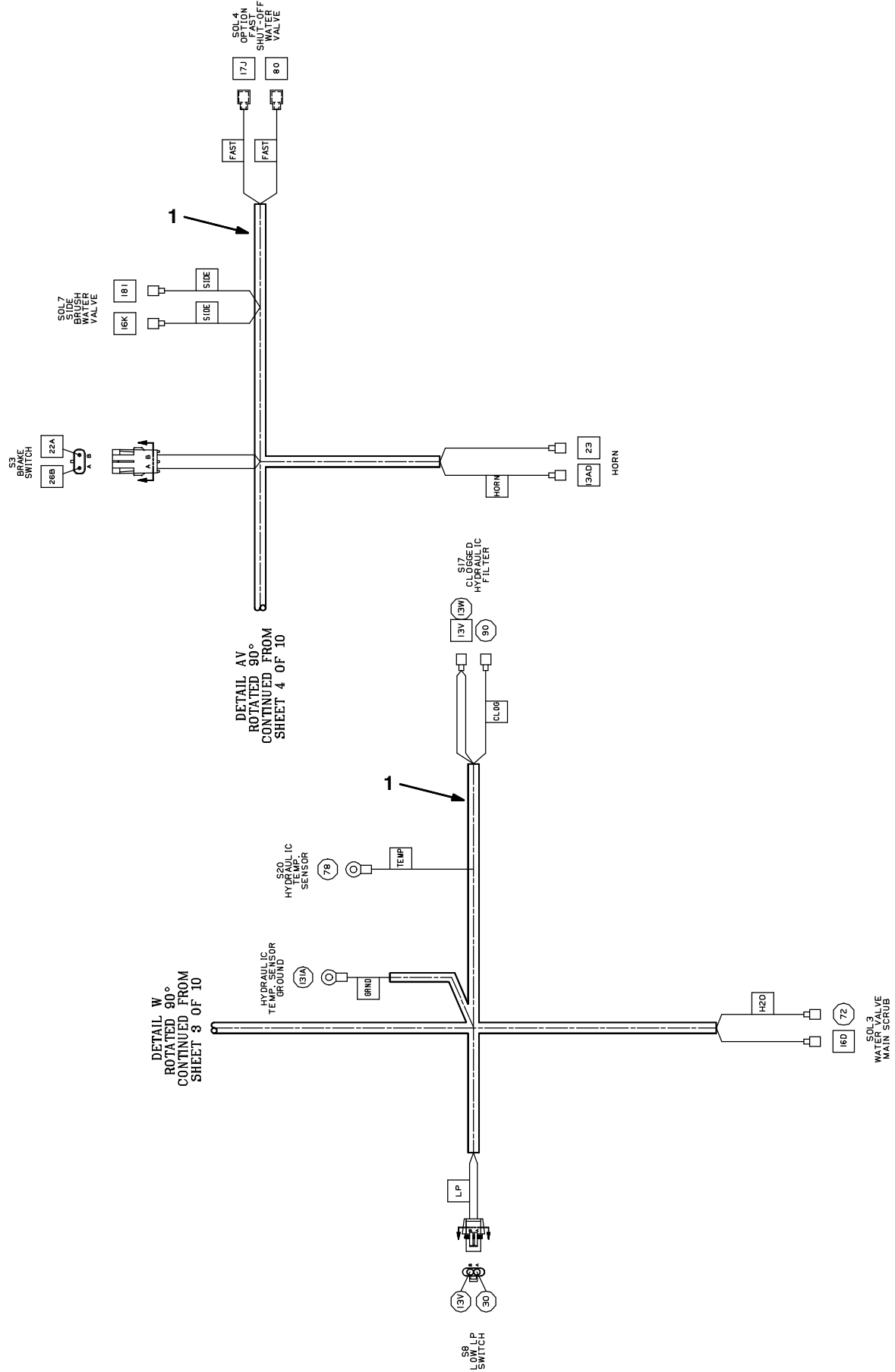
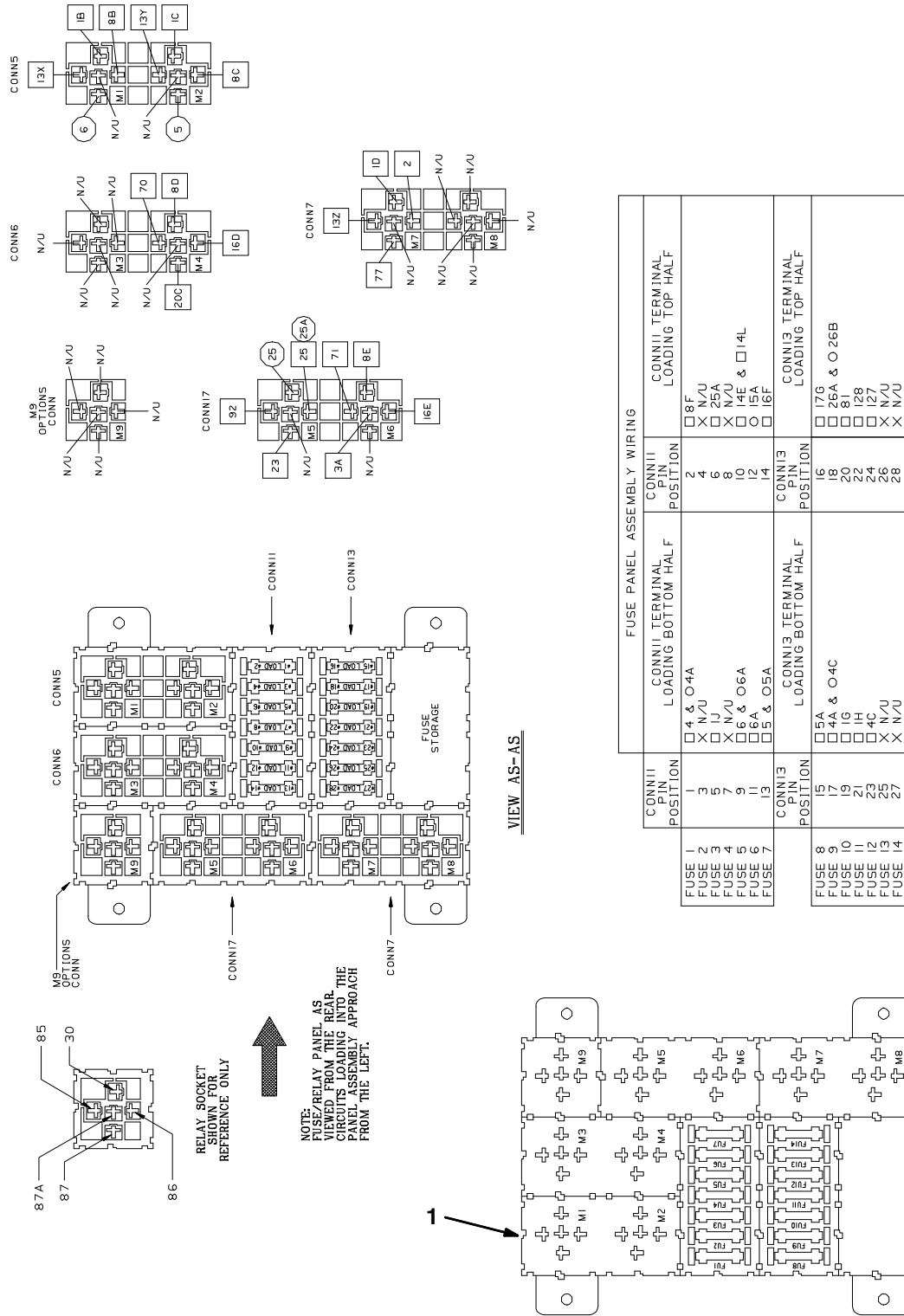


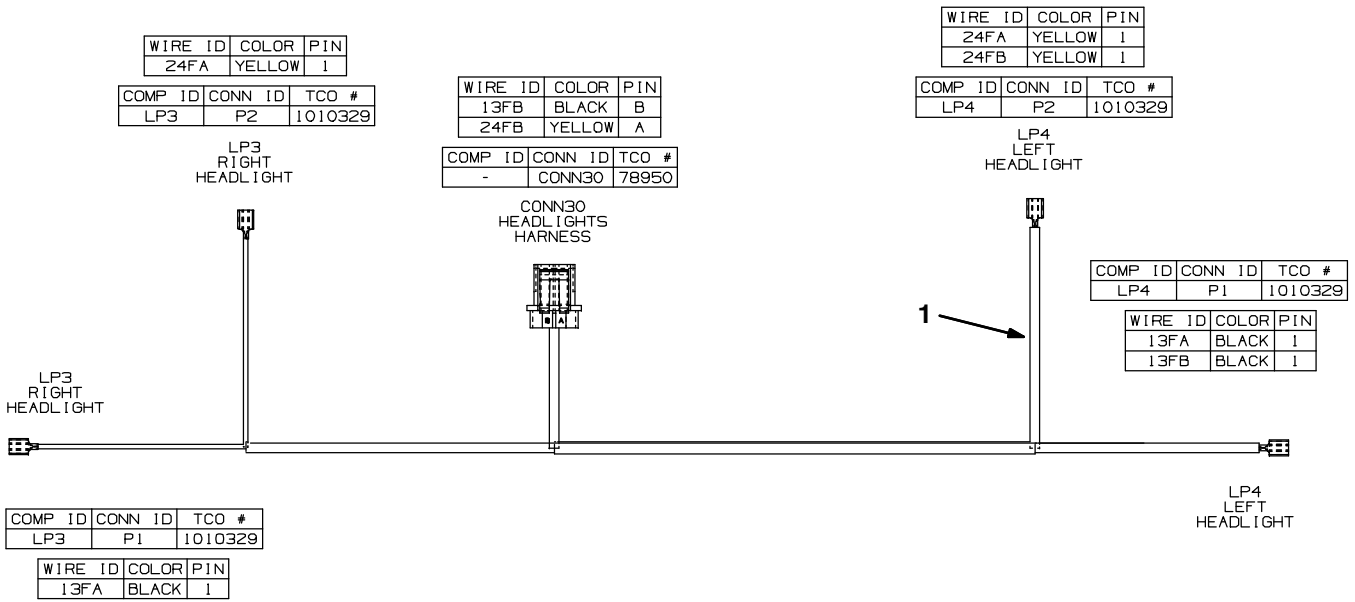
Fig. 79 - Electrical Wire Harness Group, Main



Ref.	Part No.	Serial Number	Description	Qty.
1	391957	(00000-) Harness, Main [T20]	1

STANDARD PARTS

Fig. 80 - Electrical Wire Harness Group, Headlight



Ref.	Part No.	Serial Number	Description	Qty.
1	1024141	(000000-) Harness, Headlight [M20 And T20]	1

Fig. 81 - Electrical Wire Harness Group, Gasoline/LPG Engine

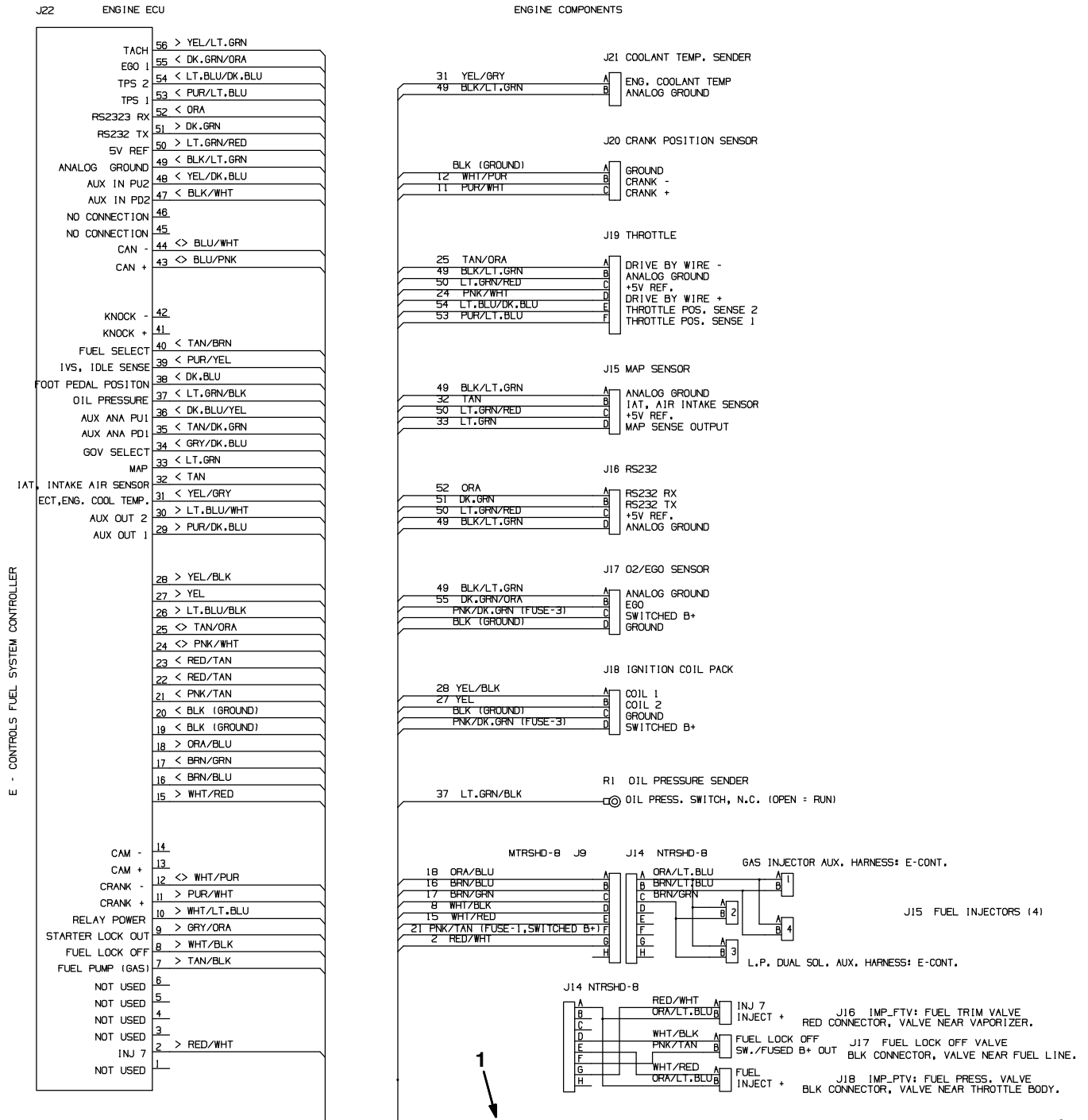


Fig. 81 - Electrical Wire Harness Group, Gasoline/LPG Engine

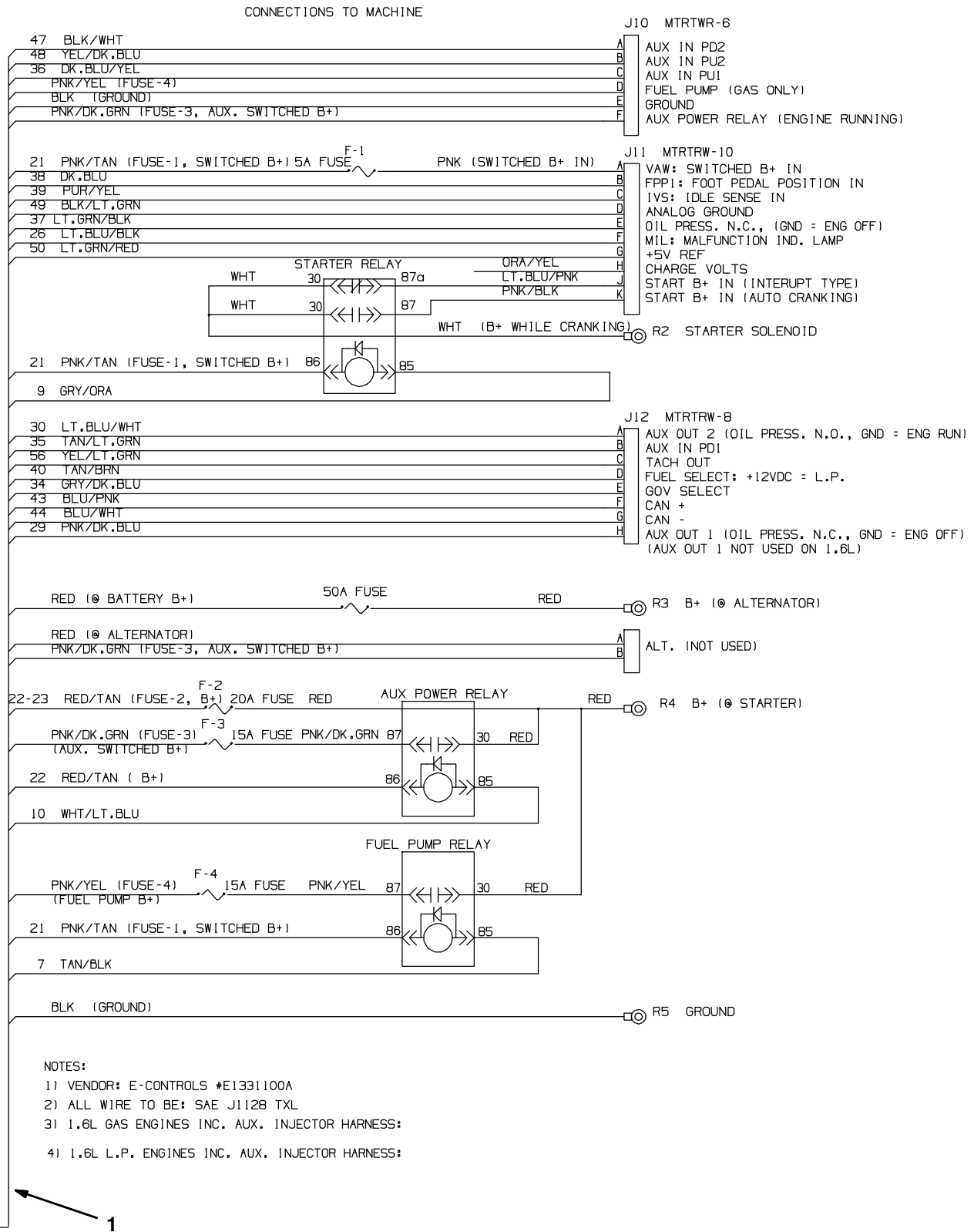
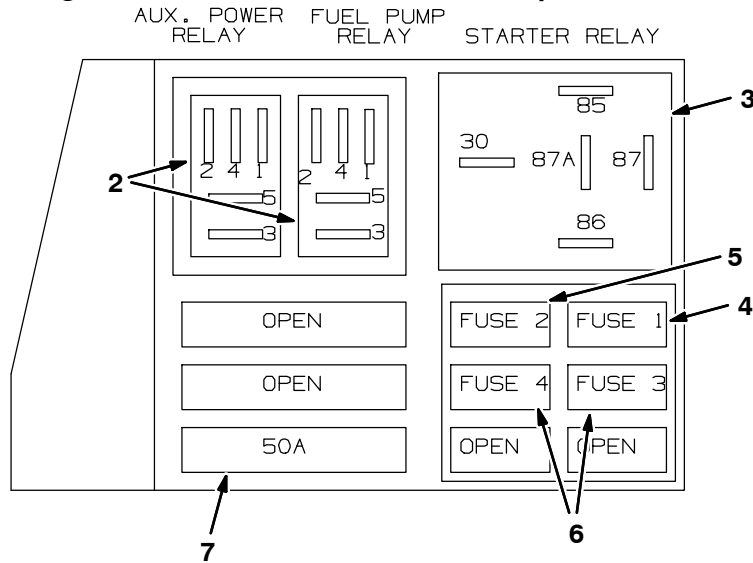
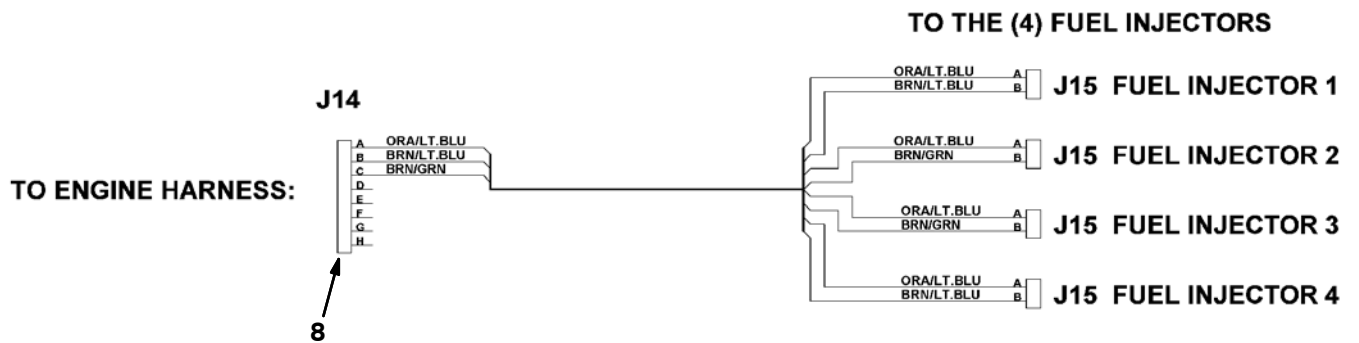


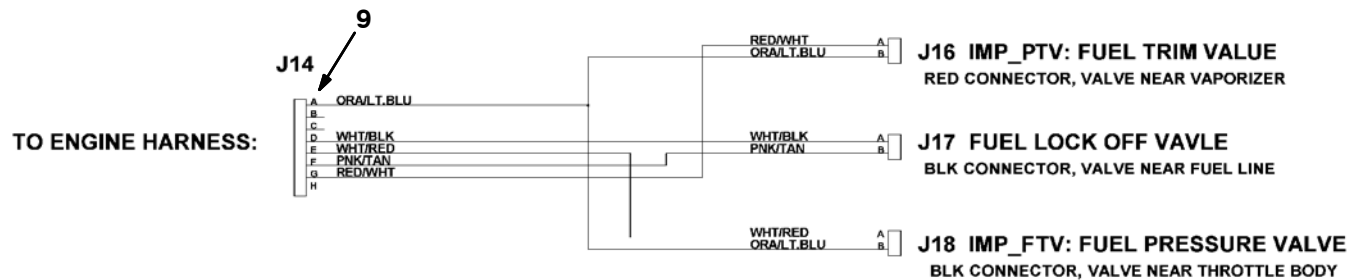
Fig. 81 - Electrical Wire Harness Group, Gasoline/LPG Engine



GAS INJECTOR AUX. HARNESS

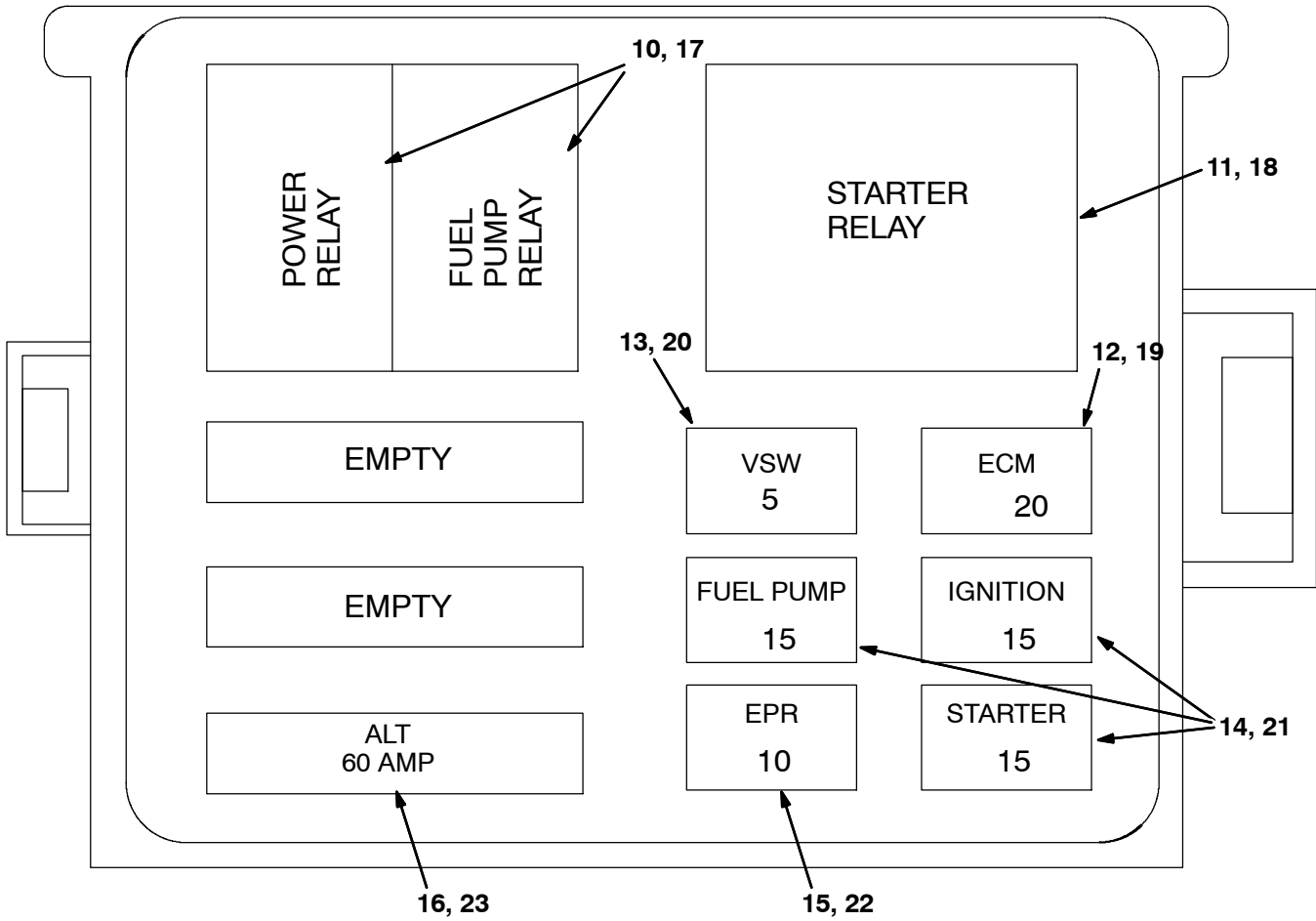


L.P. DUAL SOL. AUX. HARNESS



STANDARD PARTS

Fig. 81 - Electrical Wire Harness Group, Gasoline/LPG Engine



TO ENGINE HARNESS

COLOR	PIN
PINK	A
BLACK/RED	C
PINK/YELLOW	D
LT BLUE/PINK	F
GREEN/YELLOW	G

TO ENGINE HARNESS

COLOR	PIN
GRAY/ORANGE	J
GRAY/DK. BLUE	K

COLOR PIN
BLACK I

24

COLOR	PIN
BLUE	A
BLACK	B
PURPLE	C

TO MAIN HARNESS

COLOR	PIN
PINK	A
LT BLUE/PINK	J
GREEN/YELLOW	F

TO MAIN HARNESS

COLOR	PIN
BLUE	A
GRAY/DK. BLUE	K
PURPLE	C

TO MAIN HARNESS

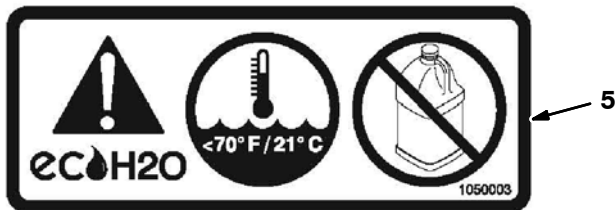
COLOR	PIN
GRAY/ORANGE	B
PINK/YELLOW	D
BLACK/RED	E

Fig. 81 - Electrical Wire Harness Group, Gasoline/LPG Engine

Ref.	Part No.	Serial Number	Description	Qty.
▽	1	1011018	(000000-001499) Harness, Eng [1.6l, Gm, E-cntrl]	1
▲	2	394916	(000000-001499) Relay, 12vdc, 20a, Spdt	2
▲	3	57804	(000000-001499) Relay, 12vdc, 40a, Spdt	1
▲	4	372235	(000000-001499) Fuse, 5 Amp, [Min-5]	1
▲	5	372237	(000000-001499) Fuse, 20 Amp, [Min-20]	1
▲	6	372236	(000000-001499) Fuse, 15 Amp, [Min-15]	2
▲	7	394921	(000000-001499) Fuse, 50amp	1
	8	1011019	(000000-001499) Harness, Injector, Gas [1.6l,Gm,E-cntrl]	1
	9	1011020	(000000-001499) Harness, Injector, Lpg [1.6l,Gm,E-cntrl]	1
▽		384997	(001500-002140) Harness, Wire, Eng, Gas [Gm 1.6L]	1
▲	10	394916	(001500-002140) Relay, 12vdc, 20a, Spdt	2
▲	11	57804	(001500-002140) Relay, 12vdc, 40a, Spdt	1
▲	12	372237	(001500-002140) Fuse, 20 Amp, [Min-20]	1
▲	13	372235	(001500-002140) Fuse, 5 Amp, [Min-5]	1
▲	14	372236	(001500-002140) Fuse, 15 Amp, [Min-15]	2
▲	15	384999	(001500-002140) Fuse, 10 Amp	1
▲	16	384998	(001500-002140) Fuse, 60 Amp	1
▽		1063457	(002141-) Harness, Wire, Eng, Gas [GM 1.6L 10]	1
▲	10	394916	(002141-) Relay, 12vdc, 20a, Spdt	2
▲	11	57804	(002141-) Relay, 12vdc, 40a, Spdt	1
▲	12	372237	(002141-) Fuse, 20 Amp, [Min-20]	1
▲	13	372235	(002141-) Fuse, 5 Amp, [Min-5]	1
▲	14	372236	(002141-) Fuse, 15 Amp, [Min-15]	2
▲	15	384999	(002141-) Fuse, 10 Amp	1
▲	16	384998	(002141-) Fuse, 60 Amp	1
▽		384990	(001500-002140) Harness, Wire, Eng, Lpg [Gm 1.6l]	1
▲	17	394916	(001500-002140) Relay, 12vdc, 20a, Spdt	2
▲	18	57804	(001500-002140) Relay, 12vdc, 40a, Spdt	1
▲	19	372237	(001500-002140) Fuse, 20 Amp, [Min-20]	1
▲	20	372235	(001500-002140) Fuse, 5 Amp, [Min-5]	1
▲	21	372236	(001500-002140) Fuse, 15 Amp, [Min-15]	2
▲	22	384999	(001500-002140) Fuse, 10 Amp	1
▲	23	384998	(001500-002140) Fuse, 60 Amp	1
▽		1063456	(002141-) Harness, Wire, Eng, Lpg [Gm 1.6l 10]	1
▲	17	394916	(002141-) Relay, 12vdc, 20a, Spdt	2
▲	18	57804	(002141-) Relay, 12vdc, 40a, Spdt	1
▲	19	372237	(002141-) Fuse, 20 Amp, [Min-20]	1
▲	20	372235	(002141-) Fuse, 5 Amp, [Min-5]	1
▲	21	372236	(002141-) Fuse, 15 Amp, [Min-15]	2
▲	22	384999	(002141-) Fuse, 10 Amp	1
▲	23	384998	(002141-) Fuse, 60 Amp	1
	24	1032216	(001500-) Harness, Adapter	1

Fig. 82 - Label Group

This block contains a variety of safety labels. At the top left is a 'Not Used' label for flammable materials. To its right are three warning labels: 'Raised hopper may fall', 'Machine omits toxic gases', and 'Flammable materials or reactive metals'. Below these are more 'Not Used' labels for flammable materials and strong vacuum, along with a 'Moving belt and fan' warning. On the right side, there are several pictorial warning signs: a gas cylinder, a hand near a flame, a hand near a hot surface, a hand near a moving part, and a hand near a sharp edge. At the bottom left is a 'Read manual' safety label, and at the bottom right is a 'Lift arm pinch point' warning label.



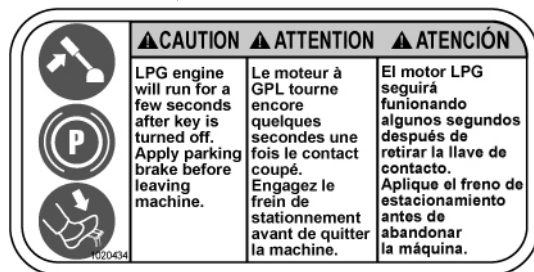
This block contains a group of safety labels. At the top are two pictorial warning signs: a hand near a flame and a hand near a hot surface. Below these are three text-based warning labels: 'Burn hazard, Hot surface. Do NOT touch.', 'Risque de brûlures. Surface chaude. Ne pas toucher.', and '火傷のおそれあり。表面が熱くなっています。さわらないでください。'



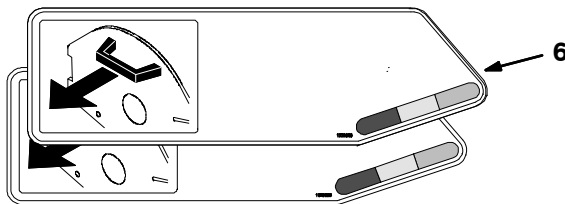
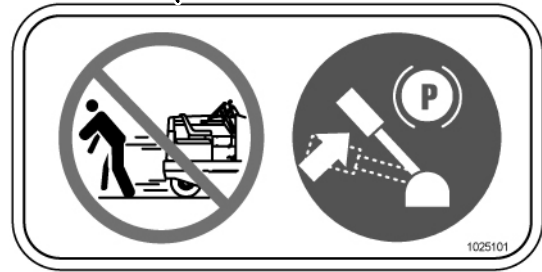
Fig. 82 - Label Group



8



9



10



T20 - G/LP

Ref.	Part No.	Serial Number	Description	Qty.
1	77221	(000000-)	Label Set, Info/Hzrd, Swpr / Scrbr	1
2	1017141	(000000-)	Label Set, Hi Temp	1
3	1065343	(000000-)	Label, Logo, 05.75L 2Color [ES]	3
4	1065342	(000000-)	Label, Logo, 07.95L 2Color [FaST]	3
5	1050003	(000000-)	Label [User, Attention, ec-H2O]	2
6	1031017	(000000-)	Label Set, Brush Indicator & Removal	1
7	1032450	(000000-)	Label Set, Info/Hzrd, Swpr / Scrbr, Tj (Japan Only)	1
8	1020434	(000000-)	Label, Caution [Apply Parking Brake]	1
9	1025101	(000000-)	Label, Caution [Apply Parking Brake] (Japan Only)	1
10	1064661	(000000-)	Label, Model, 2Color [T20]	2
11	1062813	(000000-)	Label, Logo, 12.3L 4Color [ec-H2O]	1
12	1064440	(000000-)	Label, Logo, 16.9L 4Color [ec-H2O]	1

SECTION 3

Contents	Page
Fig. 1 - ES Pump Group	3-2
Fig. 2 - ES Tanks Group	3-4
Fig. 3 - Side Brush Motor Group (000000-002115)	3-6
Fig. 4 - Side Brush Motor Group (002116-)	3-8
Fig. 5 - Side Brush Lift Group	3-10
Fig. 6 - Side Brush Solution Control Group	3-12
Fig. 7 - Side Brush Hydraulic Valve Group	3-14
Fig. 8 - Side Brush Hydraulic Hose Group	3-16
Fig. 9 - Fast Solution Pump Group (000000-001742)	3-18
Fig. 10 - Fast Air Pump and Detergent Group (000000-001742)	3-20
Fig. 11 - Fast Foam Filter Group, Cylindrical Scrub Head (000000-001742)	3-22
Fig. 12 - Fast Foam Filter Group, Cylindrical Scrub Head with Side Brush (000000-001742)	3-24
Fig. 13 - Fast Foam Filter Group, Disk Scrub Head (000000-001742)	3-26
Fig. 14 - Fast Foam Filter Group, Disk Scrub Head with Side Brush (000000-001742)	3-28
Fig. 15 - Fast Wire Harness Group (000000-001742)	3-30
Fig. 16 - FaST Pumps and Detergent Group (001743-)	3-32
Fig. 17 - FaST Solution Supply Group, Cylindrical Scrub Head (001743-)	3-34
Fig. 18 - FaST Solution Supply Group with Side Brush, Cylindrical Scrub Head (001743-)	3-36
Fig. 19 - FaST Solution Supply Group, Disk Scrub Head (001743-)	3-38
Fig. 20 - FaST Solution Supply Group with Side Brush, Disk Scrub Head (001743-)	3-40
Fig. 21 - Fast Wire Harness Group (001743-)	3-42

Contents	Page
Fig. 22 - ec-H2O Solution Pump Group	3-44
Fig. 23 - ec-H2O Solution Pump Supply Group	3-46
Fig. 24 - ec-H2O Solution Supply Group, Cylindrical Scrub Head	3-48
Fig. 25 - ec-H2O Solution Supply Group, Cylindrical Scrub Head with Side Brush	3-50
Fig. 26 - ec-H2O Solution Supply Group, Disk Scrub Head	3-52
Fig. 27 - ec-H2O Solution Supply Group, Disk Scrub Head with Side Brush	3-54
Fig. 28 - ec-H2O Wire Harnesses Group	3-56
Fig. 29 - Backup Alarm Kit	3-59
Fig. 30 - Light Kit, Flashing	3-60
Fig. 31 - Light Kit, Revolving	3-62
Fig. 32 - Light Kit, Flashing Overhead Guard	3-64
Fig. 33 - Light Kit, Revolving Overhead Guard	3-65
Fig. 34 - Overhead Guard Kit	3-66
Fig. 35 - Vacuum Wand Kit	3-68
Fig. 36 - Power Wand Hose Assembly	3-70
Fig. 37 - Power Wand Assembly	3-72
Fig. 38 - Power Wand Pump and Mount Group	3-74
Fig. 39 - Power Wand Pump and Mount Group with Spray Nozzle	3-76
Fig. 40 - Spray Nozzle Kit	3-78
Fig. 41 - Spray Nozzle Kit with Power Wand	3-80
Fig. 42 - Transport Kit	3-82
Fig. 43 - Squeegee Guard Kit	3-84
Fig. 44 - Heavy Duty Bumper Kit	3-86
Fig. 45 - Fire Extinguisher Kit	3-87
Fig. 46 - Documentation Group	3-88

Fig. 1 - ES Pump Group

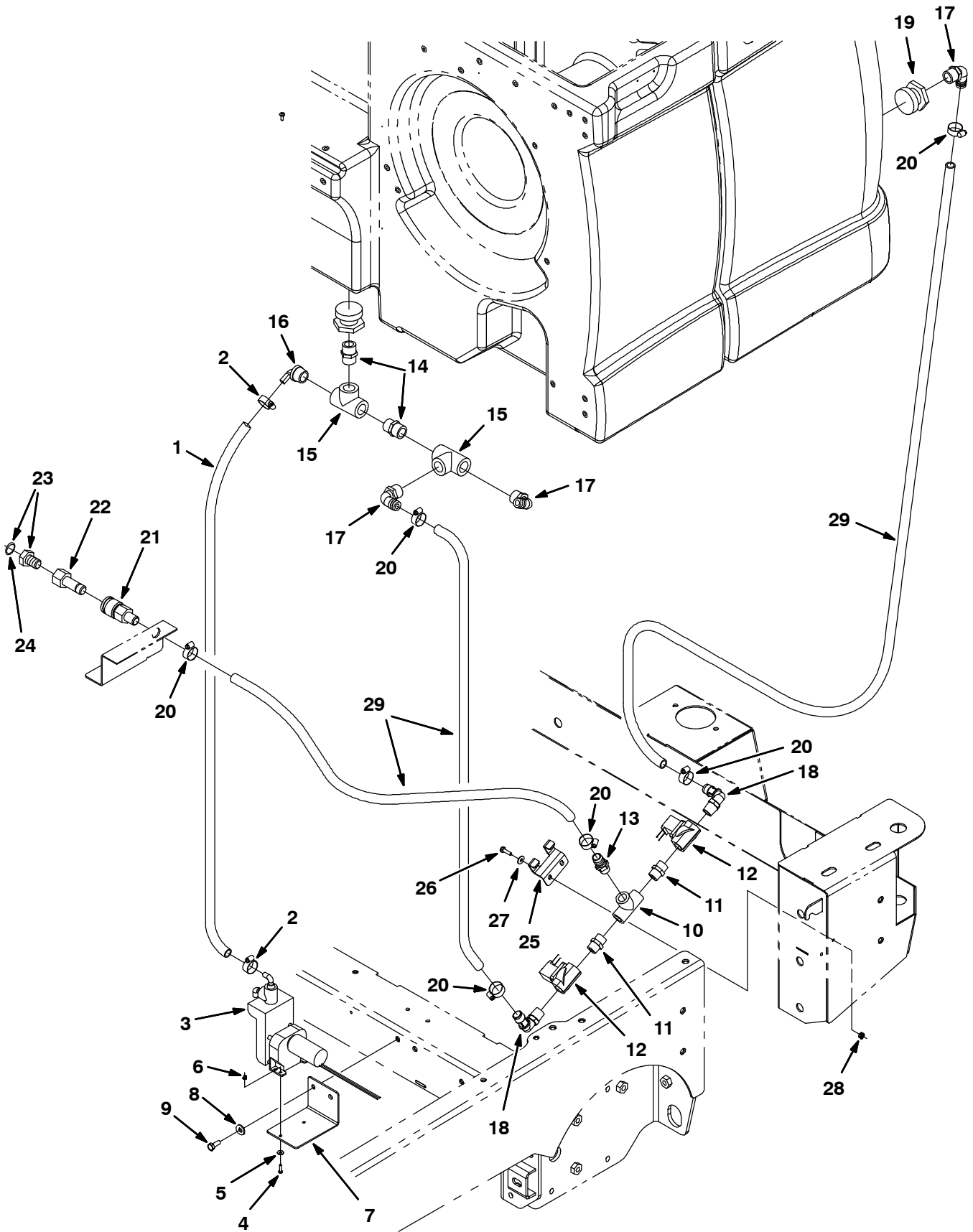


Fig. 1 - ES Pump Group

Ref.	Part No.	Serial Number	Description	Qty.	
1	41295	(000000-) Hose, Pvc, Clr, 0.38id 0.56od 48.00l	1	
2	43844	(000000-) Clamp, Hose, Wormdrive, 0.25-0.62d, .31w	2	
3	73260	(000000-) Pump, Detgt, 14vdc, 150ml/Min 20psi (See Breakdowns)	1	
4	24265	(000000-) Screw, Pan, M4 X 0.7 X 16, Ss	2	
5	01683	(000000-) Washer, Flat, #10, Ss	2	
6	33932	(000000-) Nut, Hex, Lock, M4 X 0.7, NI, Ss	2	
7	1021325	(000000-) Bracket, Mtg, Valve	1	
8	01685	(000000-) Washer, Flat, 0.31, Ss	2	
9	09740	(000000-) Screw, Hex, M8 X 1.25 X 20, Ss	2	
10	79497	(000000-) Fitting, Plstc, Tee, Pf08/Pf08/Pf08	1	
11	86508	(000000-) Fitting, Plstc, Str, Pm08/Pm08	2	
12	73433	(000000-) Valve, Water, Solenoid, 12vdc 0.08pf	2	
13	78398	(000000-) Fitting, Plstc, Str, Bm12/Pm08, Nyl	1	
14	24544	(000000-) Fitting, Plstc, Str, Pm12/Pm12 1.60l	2	
15	42133A	(000000-) Fitting, Plstc, Tee, Pf12/Pf12/Pf12	2	
16	79484	(000000-) Fitting, Plstc, E90, Bm06/Pm12, Nyl	1	
17	14877	(000000-) Fitting, Plstc, E90, Bm12/Pm12	3	
18	63244-2	(000000-) Fitting, Plstc, E90, Bm12/Pm08	2	
19	377349	(000000-) Fitting, Plstc, Pf12/Pf12, Bh	1	
20	63810	(000000-) Clamp, Hose, Wormdrive, 0.56-1.06d, .56w	6	
21	24105	(000000-) Fitting, Brs, Qdc, Bm12/Qf08	1	
22	33295	(000000-) Fitting, Brs, Qdc, Pf08 [Parker Bh3f]	1	
▽	23	375322	(000000-) Fitting Kit, Hose, Garden	1
▲	24	01316	(000000-) Washer, Flat, 0.66b 1.00d .12, Rbr	1
	25	1016837	(000000-) Bracket, Mtg, Valve	1
26	08716	(000000-) Screw, Hex, M6 X 1.0 X 20, Ss	2	
27	01684	(000000-) Washer, Flat, 0.25, Ss	2	
28	08712	(000000-) Nut, Hex, Lock, M6 X 1.00, Ss, NI	2	
29	1015044	(000000-) Hose, Afmkt, Pvc, Brd 0.75id 12ft	1	

Fig. 2 - ES Tanks Group

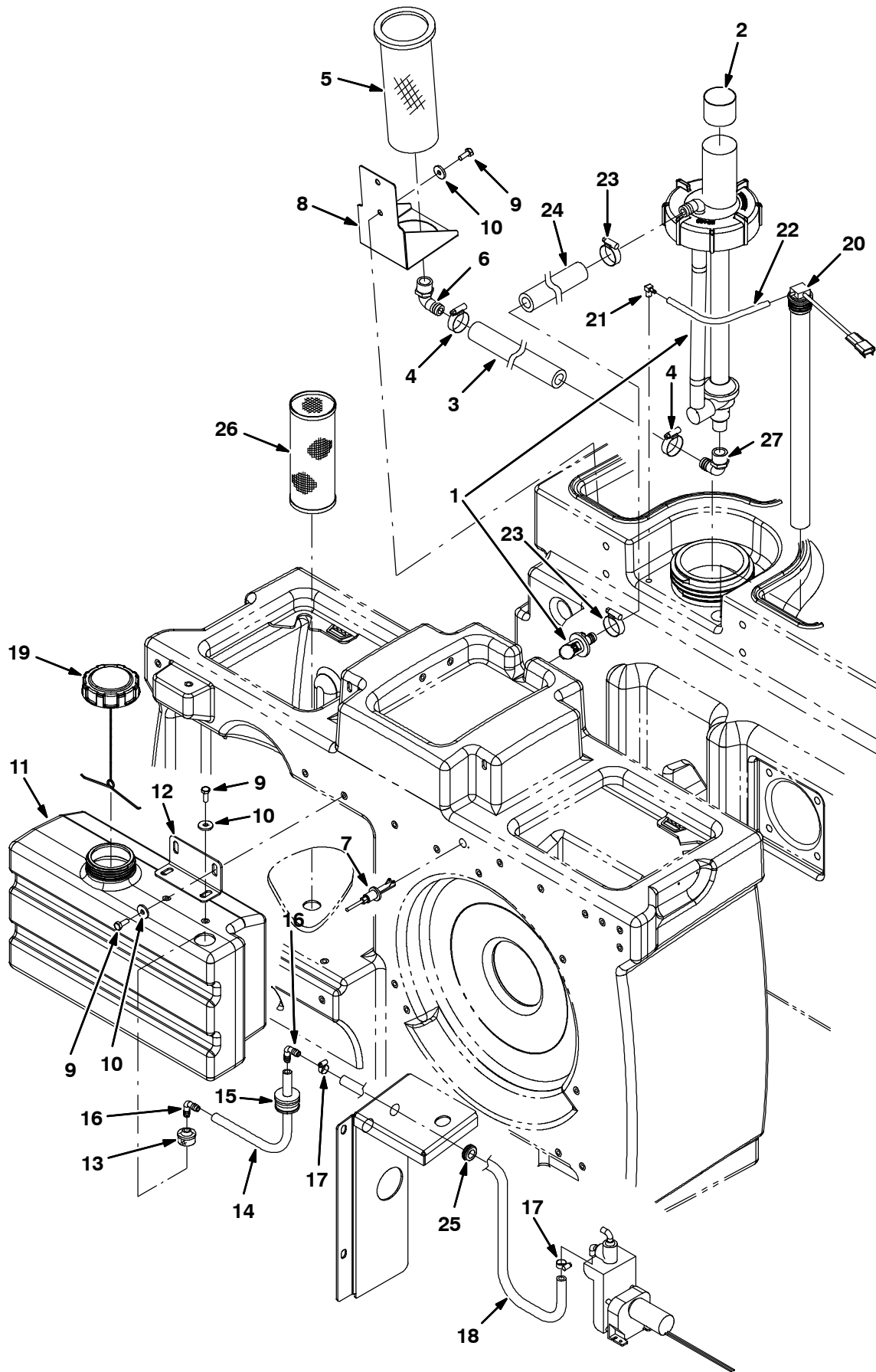


Fig. 2 - ES Tanks Group

Ref.	Part No.	Serial Number	Description	Qty.
1	1021210	(000000-) Pump Assy, Column, Es (See Breakdowns)	1
2	1028697	(000000-) Sleeve, Rbr, 3.50b 3.58d 1.8l	1
3	1015033	(000000-) Hose, Afmkt, Pvc, Brd 0.62id 01ft	1
4	63810	(000000-) Clamp, Hose, Wormdrive, 0.56-1.06d, .56w	2
5	386652	(000000-) Strainer, Soltn, 20 Mesh, Cyl 3.5d 9.5l	1
6	24543	(000000-) Fitting, Plstc, E90, Bm12/Pf12	1
7	385685	(000000-) Sensor, Level, Liq, 14vdc 01a .62-11	1
8	1019636	(000000-) Bracket, Mtg, Strainer	1
9	09740	(000000-) Screw, Hex, M8 X 1.25 X 20, Ss	6
10	1017218	(000000-) Washer, Flat, 0.32b 1.00d .12, Ss	6
11	1022229	(000000-) Tank, Detgt, Trimmed	1
12	1025159	(000000-) Bracket, Mtg, Detgt And Spray Wand	1
13	20952	(000000-) Screen, Pump	1
14	1014974	(000000-) Hose, Afmkt, Pvc, Brd 0.38id 02ft	1
15	20944	(000000-) Grommet, Pye, 0.37id, F/1.5h, .13 Matl	1
16	20951	(000000-) Fitting, Plstc, E90, Bm06/Bm06	2
17	43844	(000000-) Clamp, Hose, Wormdrive, 0.25-0.62d, .31w	2
18	41295	(000000-) Hose, Pvc, Clr, 0.38id 0.56od 48.00l	1
19	1011885	(000000-) Cap, Tank	1
20	1029497	(000000-) Switch Assy, Press, 3.0, 19.5l Tube	1
21	32183	(000000-) Fitting, Brs, E90, Pm02/Bm03	1
22	1031572	(000000-) Hose, Afmkt, Vacuum, 0.16id 01ft	1
23	63810	(000000-) Clamp, Hose, Wormdrive, 0.56-1.06d, .56w	2
24	1015033	(000000-) Hose, Afmkt, Pvc, Brd 0.62ld, 01Ft, Clr	1
25	10632-2	(000000-) Grommet, Rbr, 0.62id, F/0.9h, .12 Matl	1
26	1039019	(000000-) Filter, Soltn, 020mesh, Pm12 3.2d 08.0l	1
27	14877	(000000-) Fitting, Plstc, E90, Bm12/Pm12	1

Fig. 3 - Side Brush Motor Group (000000-002115)

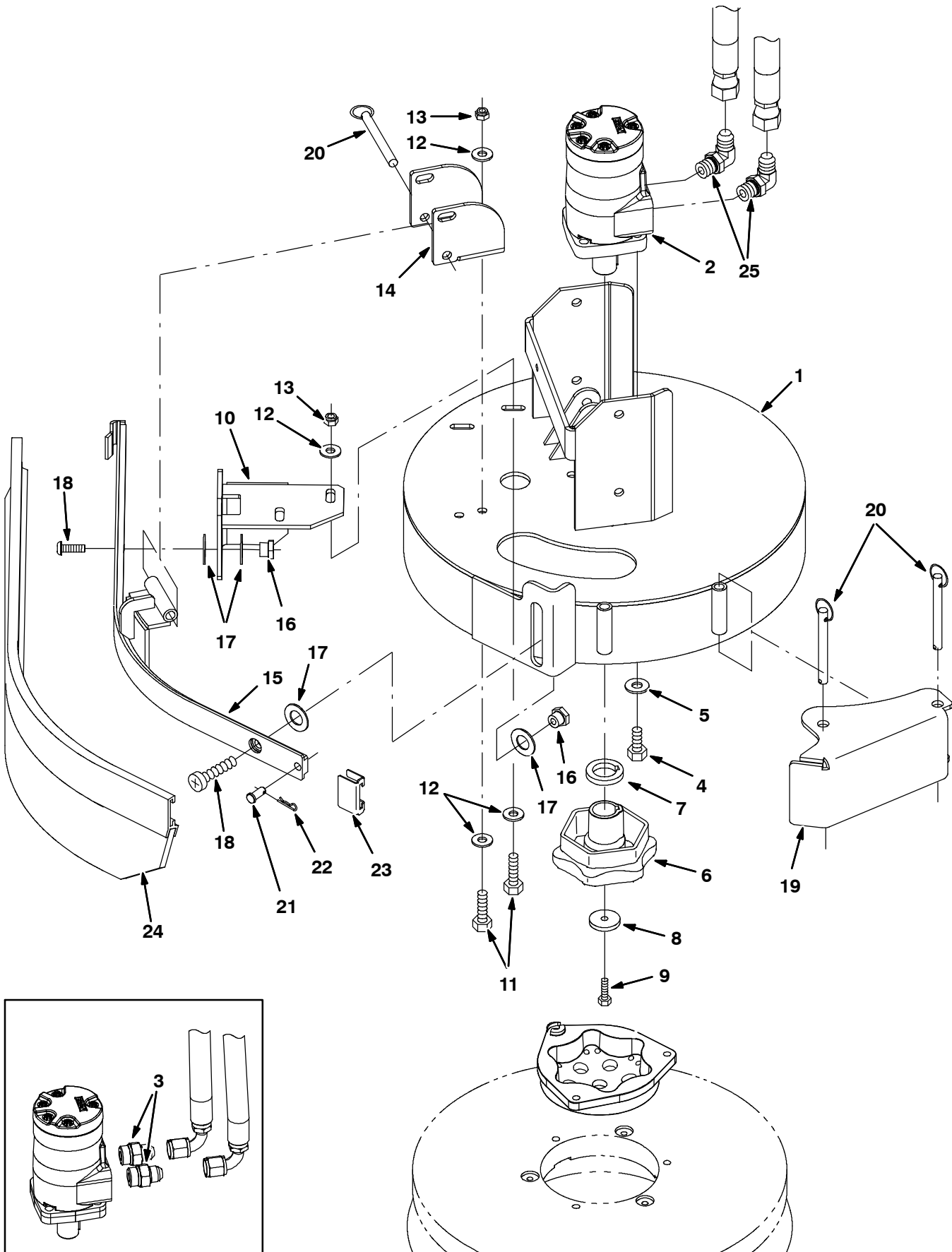


Fig. 3 - Side Brush Motor Group (000000-002115)

Ref.	Part No.	Serial Number	Description	Qty.
1	1021794	(000000-002115)	Bracket Wldt, Mtg, Side Brush	1
2	1029379	(000000-002115)	Motor, Hyd, Gear, Int 08.9 Bi-Dir 2500 (See Breakdowns)	1
3	56692	(000000-001037)	Fitting, Hyd, Str, Jm08/Om10	2
4	01762	(000000-002115)	Screw, Hex, .38-16 X 0.75, NI	4
5	32492	(000000-002115)	Washer, Flat, 0.38 Std	4
6	1042968	(000000-002115)	Hub, Drive, Brush, Disk, 1.00b [6t]	1
7	25611	(000000-002115)	Spacer, Hub, Keyed	1
8	19191	(000000-002115)	Spacer	1
9	25046	(000000-002115)	Screw, Hex, .25-20 X 1.00, 5	1
10	1022135	(000000-002115)	Bracket, Mtg, Sqge	1
11	09010	(000000-002115)	Screw, Hex, M8 X 1.25 X 25, Ss	4
12	01685	(000000-002115)	Washer, Flat, 0.31, Ss	8
13	08713	(000000-002115)	Nut, Hex, Lock, M8 X 1.25, NI, Ss	4
14	1022188	(000000-002115)	Bar, Retainer	1
15	1022111	(000000-002115)	Frame Wldt, Sqge, Side Brush	1
16	1022302	(000000-002115)	Nut, T, M8 X 1.25 X 14.5od X 9.5l	2
17	64425	(000000-002115)	Washer, Thrust, 0.61b 1.25d .06, Fgl	4
18	223470	(000000-002115)	Screw, Btn, M8 X 1.25 X 25, Ss	2
19	1022260	(000000-002115)	Bumper Wldt, Brush, Side	1
20	369359	(000000-002115)	Pin, Hitch, .375d X 3.12l, PI	3
21	46800	(000000-002115)	Pin, Clevis, 0.31d X 0.75l	1
22	08179	(000000-002115)	Pin, Cotter, .094 X 1.00	1
23	86759	(000000-002115)	Retainer, Sqge	1
24	1025005	(000000-002115)	Squeegee Assy, Sba, Linatex	1
24	1027716	(000000-002115)	Squeegee Assy, Sba, Ure	1
25	56821	(001038-002115)	Fitting, Hyd, E90, Jm08/Om10	1

Fig. 4 - Side Brush Motor Group (002116-)

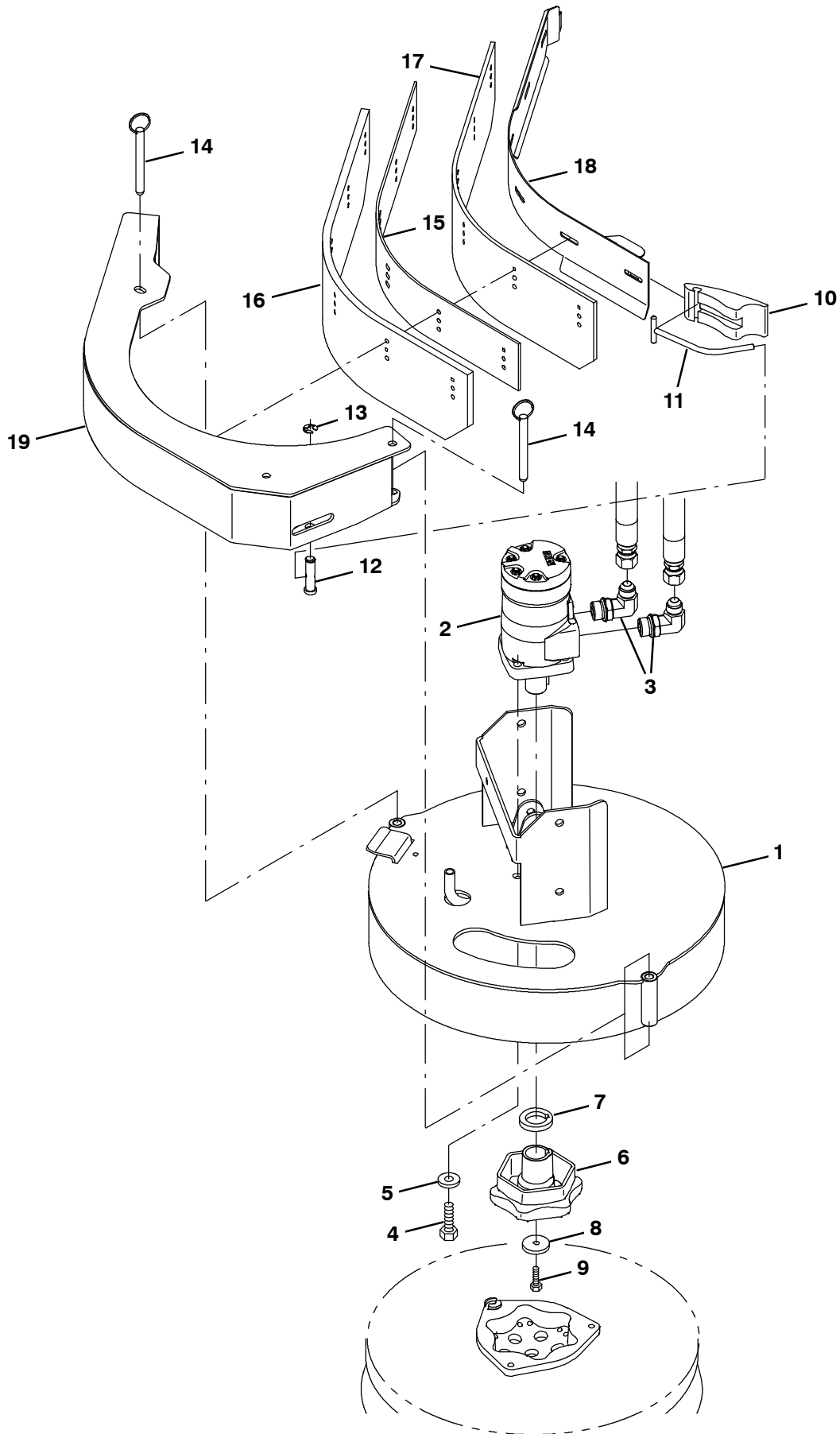


Fig. 4 - Side Brush Motor Group (002116-)

Ref.	Part No.	Serial Number	Description	Qty.
1	1047002	(002116-) Bracket Wldt, Mtg, Side Brush Fixed	1
2	1029379	(002116-) Motor, Hyd, Gear, Int 08.9 Bi-Dir 2500 (See Breakdowns)	1
3	56821	(002116-) Fitting, Hyd, E90, Jm08/Om10	2
4	01762	(002116-) Screw, Hex, .38-16 X 0.75, NI	4
5	32492	(002116-) Washer, Flat, 0.38 Std	4
6	1042968	(002116-) Hub, Drive, Brush, Disk, 1.00b [6t]	1
7	25611	(002116-) Spacer, Hub, Keyed	1
8	19191	(002116-) Spacer	1
9	25046	(002116-) Screw, Hex, .25-20 X 1.00, 5	1
10	21601	(002116-) Cam, Front	1
11	386298	(002116-) Pin Wldt, Front	1
12	21603	(002116-) Pin, Grvd, 0.43d 01.8l [303ss]	1
13	24555	(002116-) Ring, Retaining, Ext, 0.38d, [E-Ring]	1
14	369359	(002116-) Pin, Hitch, .375d X 3.12l, PI	2
15	1046995	(002116-) Spacer, Sqge, Side Brush, Rbr	1
16	1046980	(002116-) Blade, Sqge, Side Brush, Linatex	1
16	1059091	(002116-) Blade, Sqge, Side Brush, Urethane	1
17	1047238	(002116-) Blade, Sqge, Side Brush, Linatex	1
17	1059092	(002116-) Blade, Sqge, Side Brush, Urethane	1
18	1047060	(002116-) Plate Wldt, Retainer, Sqge	1
19	1046976	(002116-) Bumper Wldt, Brush, Side	1

Fig. 5 - Side Brush Lift Group

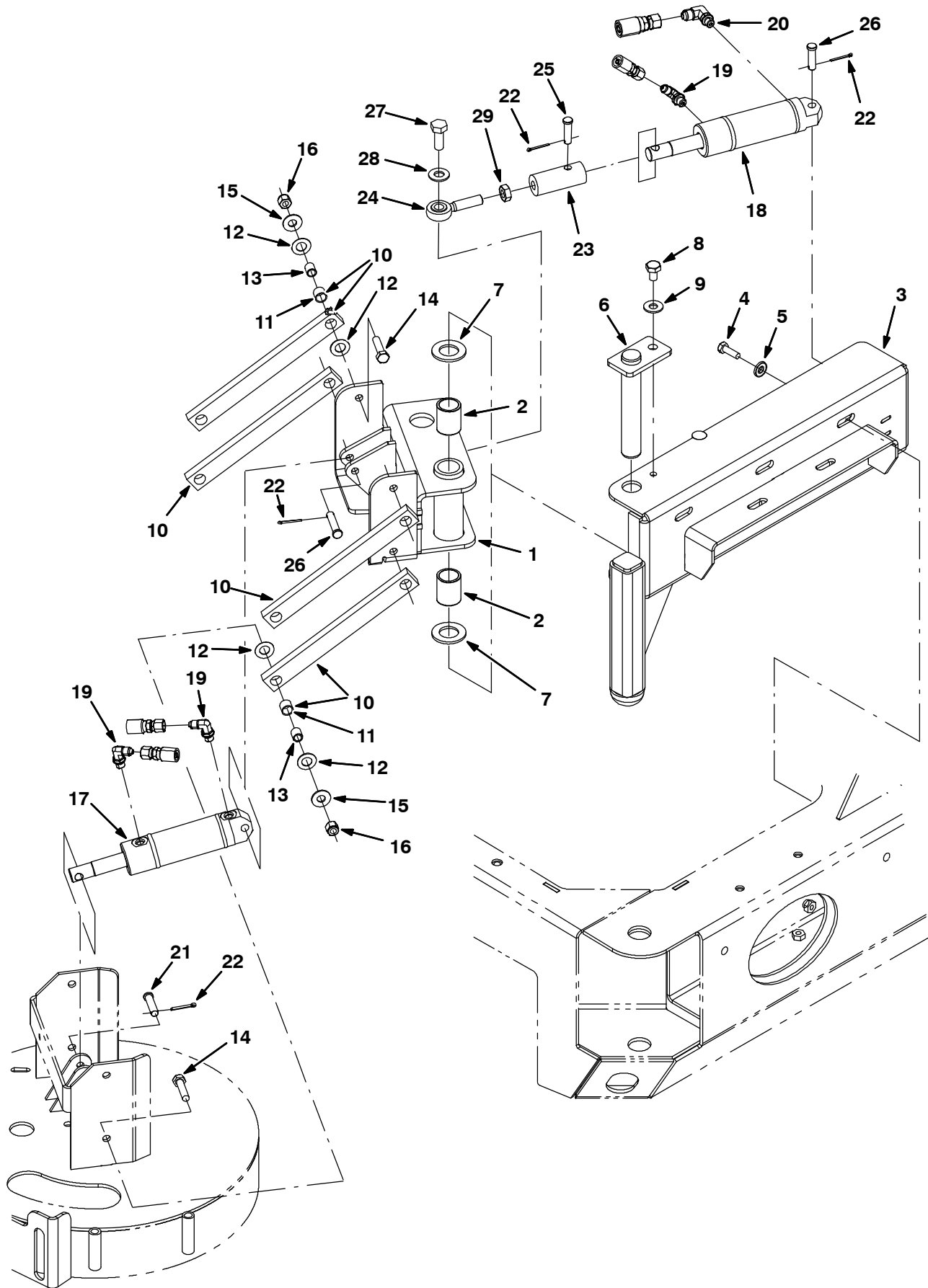


Fig. 5 - Side Brush Lift Group

Ref.	Part No.	Serial Number	Description	Qty.
1	1021439	(000000-) Pivot Wldt, Brush, Side	1
2	71868	(000000-) Bushing, Sleeve, 1.00b 1.13d 1.50l, Fgl	2
3	1021473	(000000-) Channel Wldt, Pivot	1
4	09010	(000000-) Screw, Hex, M8 X 1.25 X 25, Ss	5
5	41186	(000000-) Washer, Flat, Belleville, .31	5
6	1021617	(000000-) Pin Wldt	1
7	71869	(000000-) Washer, Thrust, 1.00b 1.75d 0.13w, Fbr	2
8	16735	(000000-) Screw, Hex, M8 X 1.25 X 16, 8.8	1
9	32491	(000000-) Washer, Flat, 0.31, Std	1
▽	10	63175-1	(000000-) Arm, Link	4
▲	11	63233	(000000-) Bushing, Sleeve, 0.50b 0.59d 0.50l, Bnz	2
	12	59633	(000000-) Bearing, Thrust, 0.53b 1.00d 0.03w	16
	13	1027926	(000000-) Sleeve, P/M, 0.37b 0.50d 0.6l [430ss]	8
	14	36845	(000000-) Screw, Hex, .38-16 X 1.50, Ss	8
	15	01685	(000000-) Washer, Flat, 0.31, Ss	8
	16	59156	(000000-) Nut, Hex, Lock, .38-16, Ni, Ss	8
	17	1038137	(000000-) Cylinder, Hyd, 1.5b 07.8l 02.80strk 2500	1
	18	1038115	(000000-) Cylinder, Hyd, 1.5b 07.8l 02.75strk 2500	1
	19	77097	(000000-) Fitting, Hyd, E90, Jm04/Om04	3
	20	77098	(000000-) Fitting, Hyd, E90, Jm06/Om04	1
	21	29558	(000000-) Pin, Clevis, 0.37d X 1.50l	1
	22	08179	(000000-) Pin, Cotter, .094 X 1.00	4
	23	1021564	(000000-) Adapter, Rod-End, Side Brush	1
	24	71874	(000000-) Rod-End, .50-20rh Mal 0.50b	1
	25	29557	(000000-) Pin, Clevis, 0.37d X 1.31l	1
	26	17461	(000000-) Pin, Clevis, 0.37d X 1.75l	2
	27	41346	(000000-) Screw, Hex, M12 X 1.75 X 30, 8.8	1
	28	32486	(000000-) Washer, Flat, 0.50 Sae	1
	29	48985	(000000-) Nut, Hex, Jam, .50-20	1

Fig. 6 - Side Brush Solution Control Group

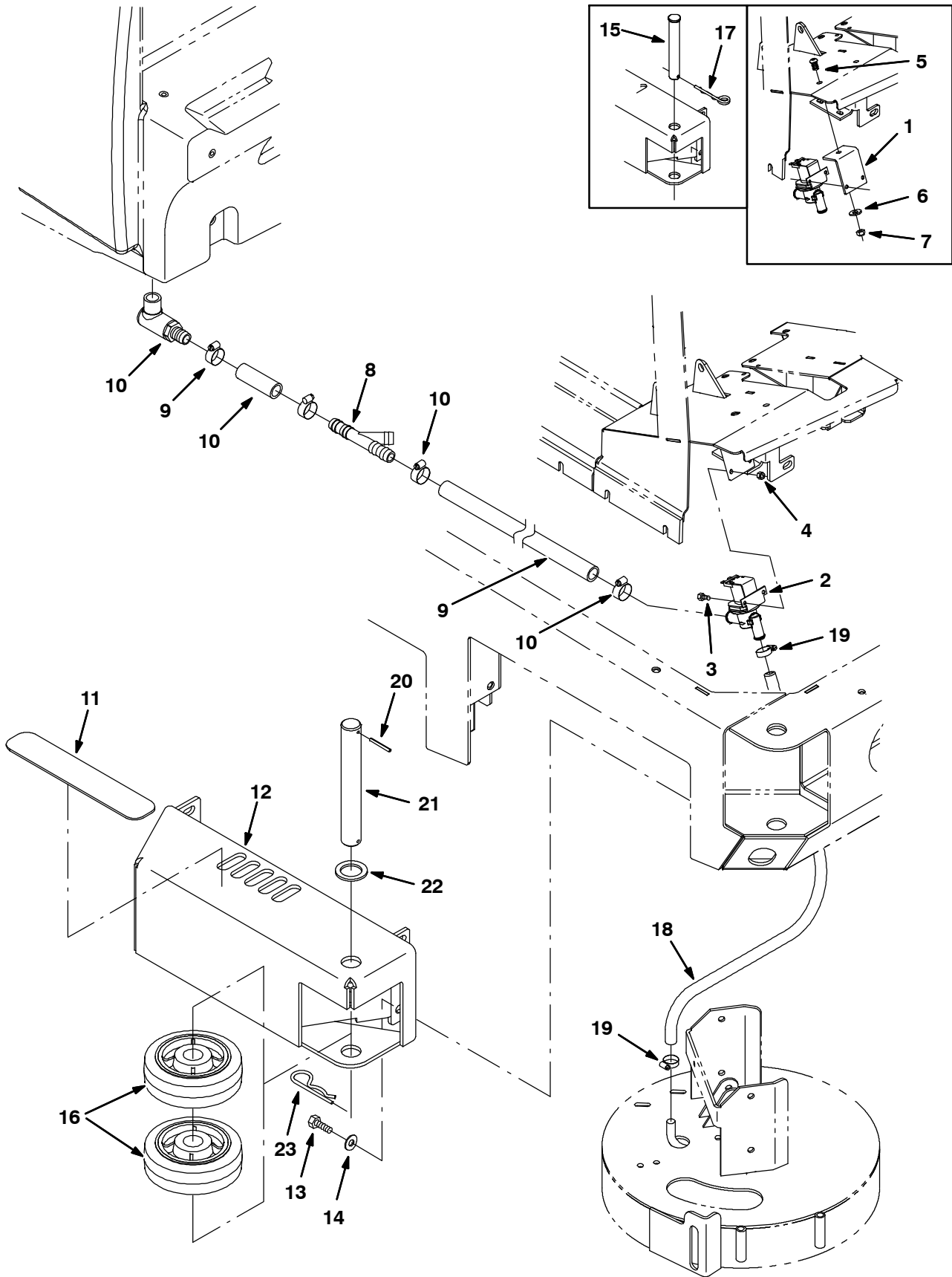


Fig. 6 - Side Brush Solution Control Group

Ref.	Part No.	Serial Number	Description	Qty.
1	1040834	(000000-001602)	Angle, Mtg, Valve	1
2	1022106	(000000-	Valve Assy, Water, Solenoid, 12vdc	1
3	09738	(000000-	Screw, Hex, M5 X 0.8 X 12, Ss	2
4	09739	(000000-	Nut, Hex, Lock, M5 X 0.8, NI, Ss	2
5	17284	(000000-001602)	Screw, Btn, M8 X 1.25 X 16, Ss	1
6	32491	(000000-001602)	Washer, Flat, 0.31, Std	1
7	08713	(000000-001602)	Nut, Hex, Lock, M8 X 1.25, NI, Ss	1
8	393255	(000000-	Fitting, Plstc, Tee, Bm12/Bm12/Bm12	1
9	1015045	(000000-	Hose, Afmkt, Pvc, Brd 0.75id 08ft	1
10	63810	(000000-	Clamp, Hose, Wormdrive, 0.56-1.06d, .56w	4
11	82839	(000000-	Tread, Non-Skid, 02.2w 11.5l	1
12	1022318	(000000-	Guard Wldt, Brush, Side	1
13	12317	(000000-	Screw, Hex, M10 X 1.5 X 30, Ss	4
14	01686	(000000-	Washer, Flat, 0.44b 1.00d .08, Ss	4
15	9006334	(000000-002102)	Pin Kit, Wheel, Ci [M20/T20/M30]	1
16	1060130	(000000-	Wheel, 06.0D 2.00W 1.19B, Gray Rbr	2
17	761490	(000000-002102)	Pin, Cotter, Hair, Dbl	1
18	50178	(000000-	Hose, Pvc, Clr, 0.50id 0.69od 26.00l	1
19	54333	(000000-	Clamp, Hose, Wormdrive, 0.31-0.88d, .31w	2
20	23146	(002103-	Pin, Roll, .187d X 1.62l, .187/.192	1
21	1053838	(002103-	Pin, 30mmd X 215mml	1
22	47719	(002103-	Washer, Flat, 1.26b 1.88d .13, Stl	1
23	34411	(002103-	Pin, Cotter, Hair, 1.00d .178 Wir	1

Fig. 7 - Side Brush Hydraulic Valve Group

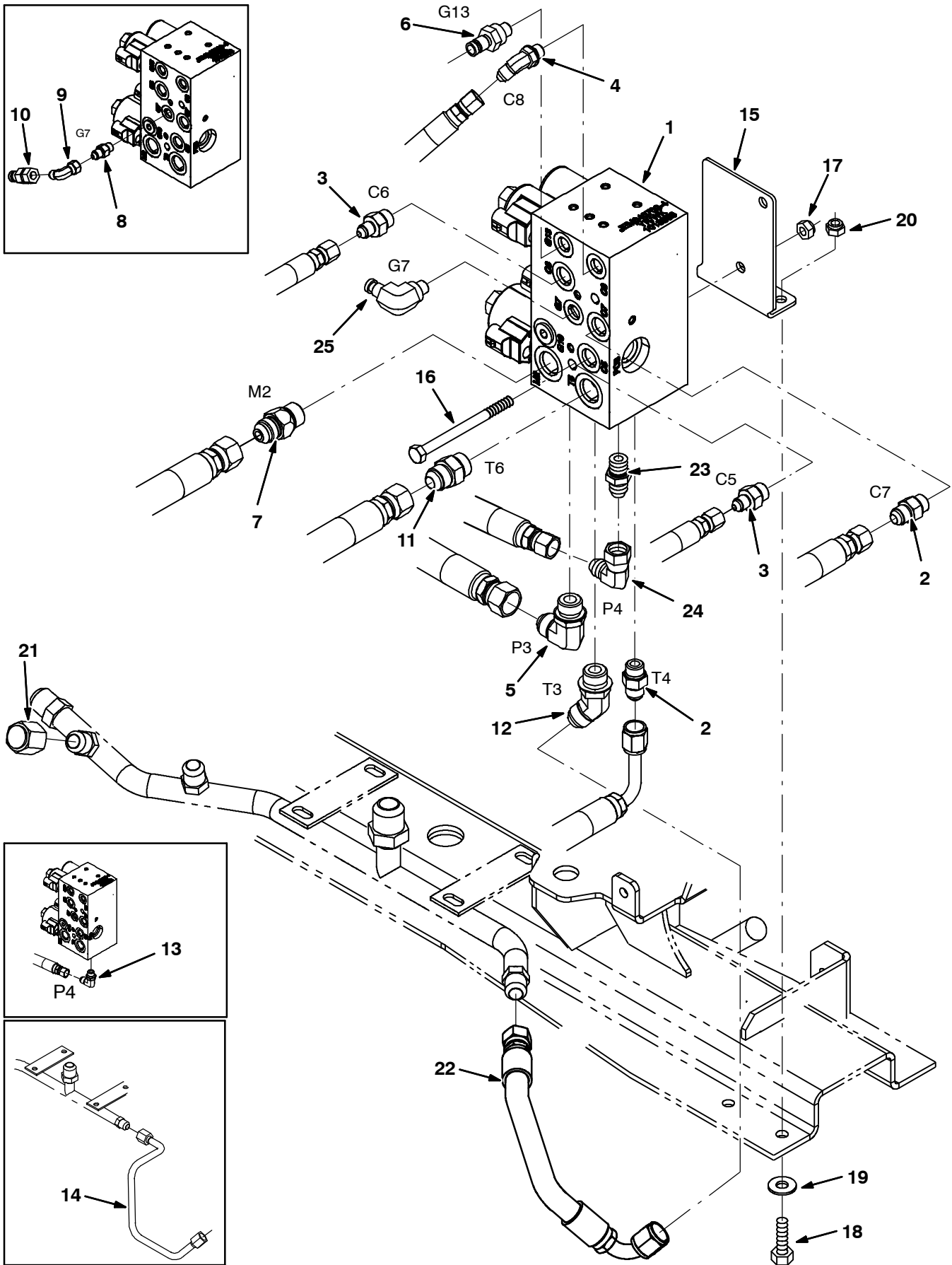


Fig. 7 - Side Brush Hydraulic Valve Group

Ref.	Part No.	Serial Number	Description	Qty.
1	1018938	(000000-001503)	Valve, Cntrl, Hyd [M20 And T20] (See Breakdowns)	1
1	1037805	(001504-)	Valve, Hyd, Solenoid 12vdc 3000psi (See Breakdowns)	1
2	56690	(000000-)	Fitting, Hyd, Str, Jm06/Om06	2
3	55685	(000000-)	Fitting, Hyd, Str, Jm04/Om06	2
4	34359	(000000-)	Fitting, Hyd, E45, Jm04/Om04	1
5	44868	(000000-)	Fitting, Hyd, E90, Jm08/Om08	1
6	395973	(000000-)	Fitting, Hyd, Str, Om04/Qm04	1
7	1026119	(000000-)	Valve, Hyd, Check, Jm08/Om08 5000psi	1
8	55586	(000000-002049)	Fitting, Hyd, Str, Jm04/Om04	1
9	39210	(000000-002049)	Fitting, Hyd, E90, Jf04/Jm04	1
10	396476	(000000-002049)	Fitting, Hyd, Str, Jf04/Qm04	1
11	44869	(000000-)	Fitting, Hyd, Str, Jm08/Om08	1
12	42226	(000000-)	Fitting, Hyd, E45, Jm08/Om08	1
13	56820	(000000-001503)	Fitting, Hyd, E90, Jm06/Om06	1
14	1025405	(000000-001040)	Tube, Hyd, 08 Jf08/Jf08	1
15	1045272	(000000-)	Bracket, Valve, Sba [M20 And T20]	1
16	364441	(000000-)	Screw, Hex, M8 X 1.25 X 110, Ss	2
17	08709	(000000-)	Nut, Hex, Lock, M8 X 1.25, NI	2
18	09010	(000000-)	Screw, Hex, M8 X 1.25 X 25, Ss	2
19	32491	(000000-)	Washer, Flat, 0.31, Std	2
20	08713	(000000-)	Nut, Hex, Lock, M8 X 1.25, NI, Ss	2
21	60090	(000000-)	Fitting, Hyd, Cap, Jf08	1
22	1037011	(001041-)	Hose, Hyd, Tc08, Jf08str/Jf08e90, 012.0	1
23	56690	(001504-)	Fitting, Hyd, Str, Jm06/Om06	1
24	47504	(001504-)	Fitting, Hyd, E90, Jf06/Jm06	1
25	395974	(002050-)	Fitting, Hyd, E90, Om04/Qm04	1

Fig. 8 - Side Brush Hydraulic Hose Group

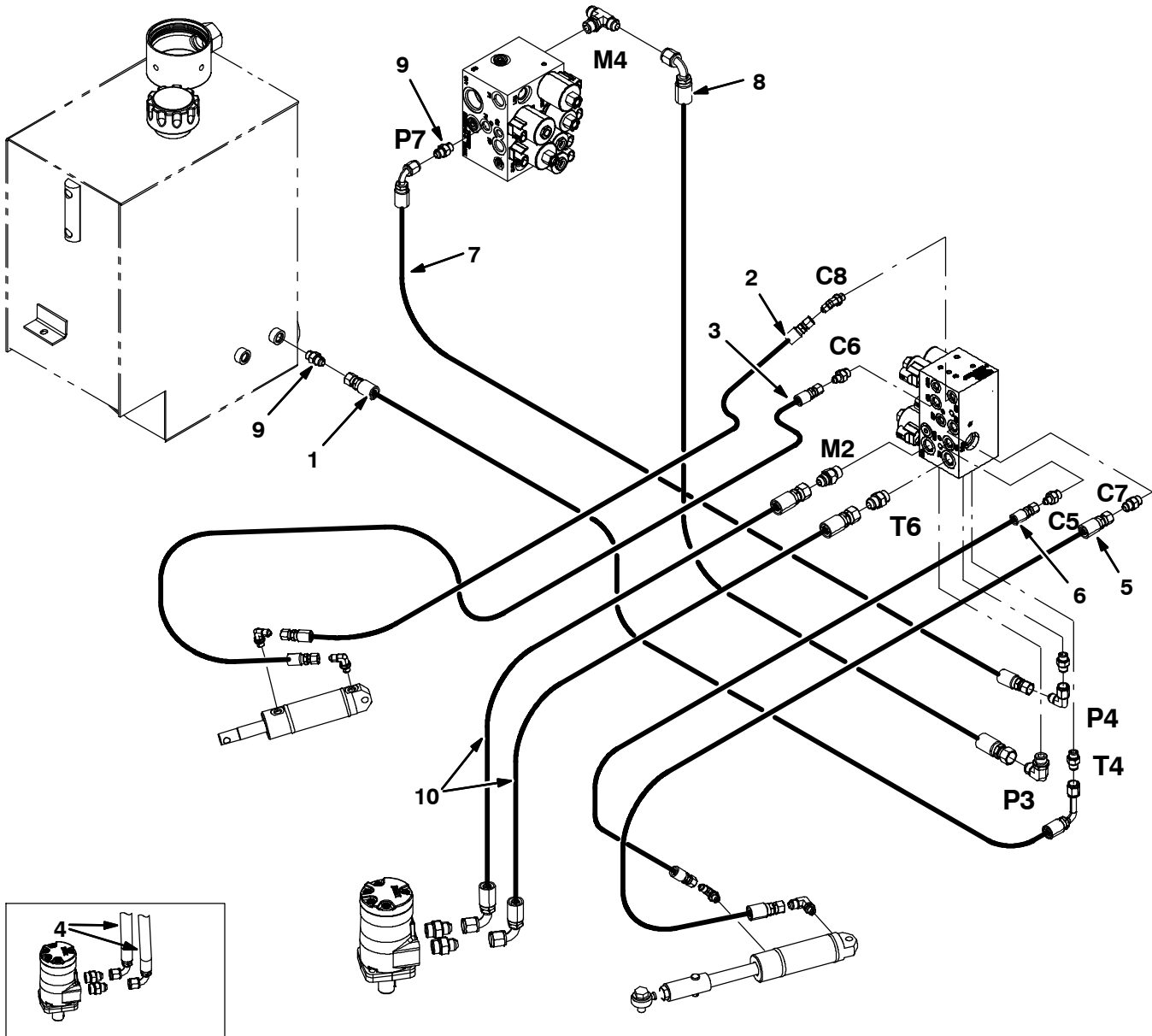


Fig. 8 - Side Brush Hydraulic Hose Group

Ref.	Part No.	Serial Number	Description	Qty.
1	361047	(000000-) Hose, Hyd, Med06, Jf06e90/Jf06str,038.0	1
2	1023485	(000000-) Hose, Hyd, Tc06, Jf06str/Jf06str, 033.0	1
3	1025990	(000000-) Hose, Hyd, Tc04, Jf04str /Jf04str, 39.0	1
4	1023486	(000000-001037) Hose, Hyd, Tc08, Jf08e90/Jf08str, 034.0	2
5	1025991	(000000-) Hose, Hyd, Tc06, Jf06str /Jf06str, 23.0	1
6	1025992	(000000-) Hose, Hyd, Tc04, Jf04str /Jf04str, 20.0	1
7	1025445	(000000-) Hose, Hyd, Tc06, Jf06str /Jf06e90, 74.0	1
8	1028270	(000000-) Hose, Hyd, Tc08, Jf08e90/Jf08str, 084.0	1
9	56690	(000000-) Fitting, Hyd, Str, Jm06/Om06	2
10	1036965	(001038-) Hose, Hyd, Tc08, Jf08Str/Jf08Str, 034.0	2

Fig. 9 - Fast Solution Pump Group (000000-001742)

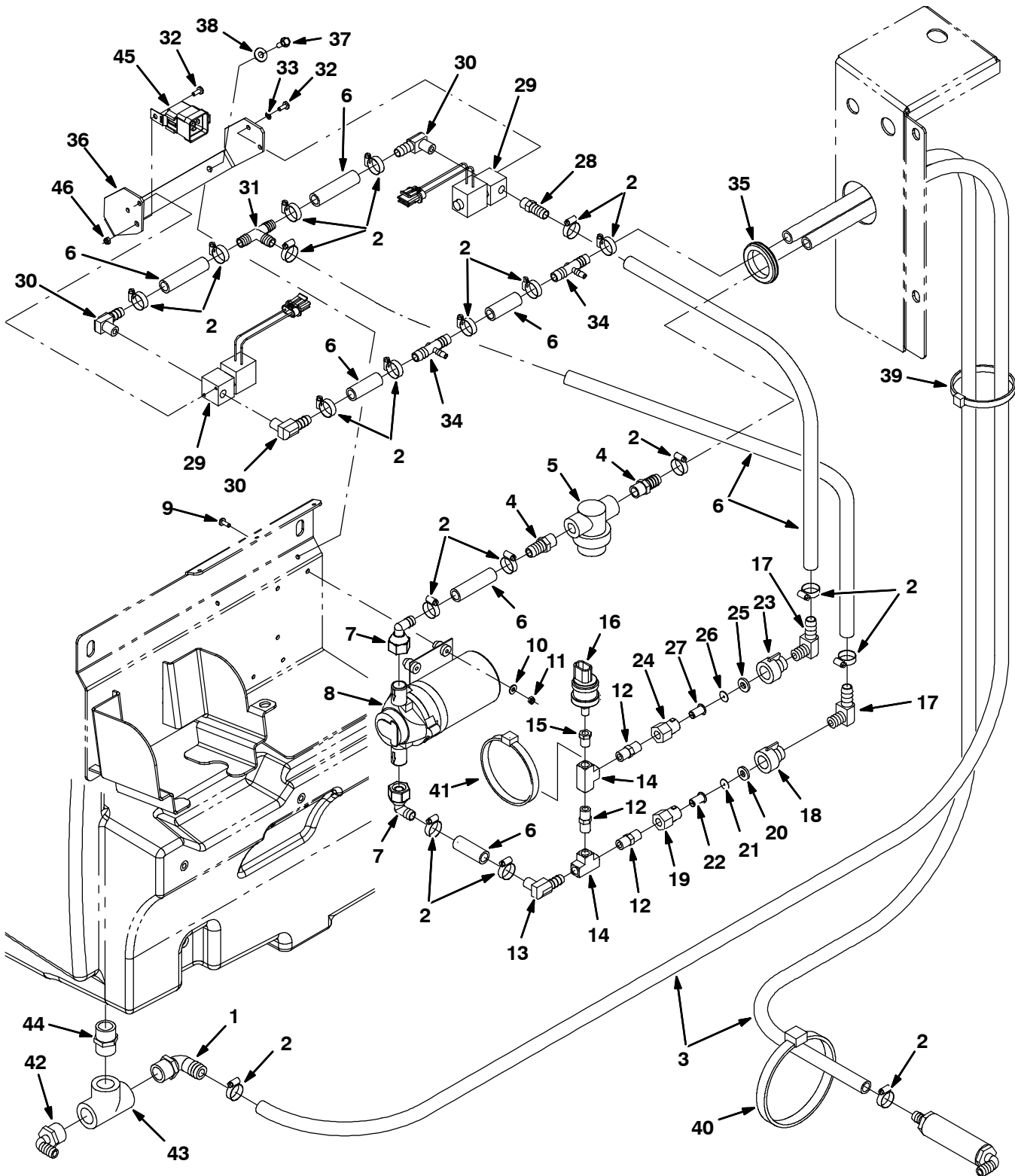


Fig. 9 - Fast Solution Pump Group (000000-001742)

Ref.	Part No.	Serial Number	Description	Qty.	
1	1005552	(000000-001742)	Fitting, Plstc, E90, Bm08/Pm12, Nyl	1	
2	54333	(000000-001742)	Clamp, Hose, Wormdrive, 0.31-0.88d, .31w	1	
3	1011412	(000000-001742)	Hose, Afmkt, Pvc, Brd 0.50id 08ft	1	
4	64743	(000000-001742)	Fitting, Plstc, Str, Bm08/Pm06	2	
5	1005302	(000000-001742)	Filter, In-Line, Pf06/Pf06, 80 Mesh	1	
6	1006401	(000000-001742)	Hose, Afmkt, Pvc, Brd 0.50id 03ft	1	
7	1018499	(000000-001742)	Fitting, Plstc, E90, Bm08/Pf08s, Swivel	2	
8	1030878	(000000-001742)	Pump, Soltn, Ele, 12vdc [W/O Chk Valve]	1	
9	17185	(000000-001742)	Screw, Pan, M5 X 0.8 X 40, Ss	4	
10	01683	(000000-001742)	Washer, Flat, #10, Ss	4	
11	09739	(000000-001742)	Nut, Hex, Lock, M5 X 0.8, NI, Ss	4	
12	398468	(000000-001742)	Fitting, Brs, Str, Pm04/Pm04	3	
13	1010836	(000000-001742)	Fitting, Brs, E90, Bm08/Pm04	1	
14	398474	(000000-001742)	Fitting, Brs, Tee, Pf04/Pf04/Pf04	2	
15	150100	(000000-001742)	Fitting, Brs, Str, Pf02/Pm04	1	
16	1028582	(000000-001742)	Switch, Press, 10psi, Spst	1	
17	1010836	(000000-001742)	Fitting, Brs, E90, Bm08/Pm04	2	
▽	1030864	(000000-001742)	Fitting Assy, Orifice, 0.070b, Pf04/Pf04	1	
▲	18	1005506	(000000-001742)	Fitting, Plstc, Cap, Spray, Pf04	1
▲	19	1005507	(000000-001742)	Fitting, Plstc, Body, Spray, Pf04	1
▲	20	1005508	(000000-001742)	Washer, Flat, 0.34b 0.75d .12 [Viton]	1
▲	21	1018883	(000000-001742)	Plate, Orifice, 0.070id	1
▲	22	1006447	(000000-001742)	Filter, Screen, 50 Mesh .59d .8l Ss	1
▽	1030863	(000000-001742)	Fitting Assy, Orifice, 0.093b, Pf04/Pf04	1	
▲	23	1005506	(000000-001742)	Fitting, Plstc, Cap, Spray, Pf04	1
▲	24	1005507	(000000-001742)	Fitting, Plstc, Body, Spray, Pf04	1
▲	25	1005508	(000000-001742)	Washer, Flat, 0.34b 0.75d .12 [Viton]	1
▲	26	1018884	(000000-001742)	Plate, Orifice, 0.093id	1
▲	27	1006447	(000000-001742)	Filter, Screen, 50 Mesh .59d .8l Ss	1
28	762249	(000000-001742)	Fitting, Brs, Str, Bm08/Pm04	1	
29	1018098	(000000-001742)	Valve, Water, 12vdc, 6.0mm, 04pf	2	
30	1010836	(000000-001742)	Fitting, Brs, E90, Bm08/Pm04	3	
31	63245-1	(000000-001742)	Fitting, Plstc, Tee, Bm08/Bm08/Bm08	1	
32	09200	(000000-001742)	Screw, Pan, M5 X 0.8 X 12, Ss	5	
33	07514	(000000-001742)	Washer, Lock, Int, #10, Ss	4	
34	1010684	(000000-001742)	Fitting, Plstc, Tee, Bm04/Bm08/Bm08, Br	2	
35	10632-19	(000000-001742)	Grommet, Rbr, 2.13id, F/2.5h, .12 Matl	1	
36	1026074	(000000-001742)	Plate, Hsng [Fast]	1	
37	361339	(000000-001742)	Screw, Hex, M6 X 1.0 X 16, Fmg	4	
38	32490	(000000-001742)	Washer, Flat, 0.25 Std	4	
39	49266	(000000-001742)	Tie, Cable, Nyl, 07.3l .19w 1.8 Max D	1	
40	763116	(000000-001742)	Tie, Cable, Nyl, 15.3l . W 4.5 Max D	1	
41	763114	(000000-001742)	Tie, Cable, 11.3l, 2.75d Max	1	
42	14877	(000000-001742)	Fitting, Plstc, E90, Bm12/Pm12	1	
43	42133A	(000000-001742)	Fitting, Plstc, Tee, Pf12/Pf12/Pf12	1	
44	24544	(000000-001742)	Fitting, Plstc, Str, Pm12/Pm12 1.60l	1	
45	56186	(000000-001742)	Relay, 12vdc, 40a, Spdt N/O	1	
46	09739	(000000-001742)	Nut, Hex, Lock, M5 X 0.8, NI, Ss	1	

Fig. 10 - Fast Air Pump and Detergent Group (00000-001742)

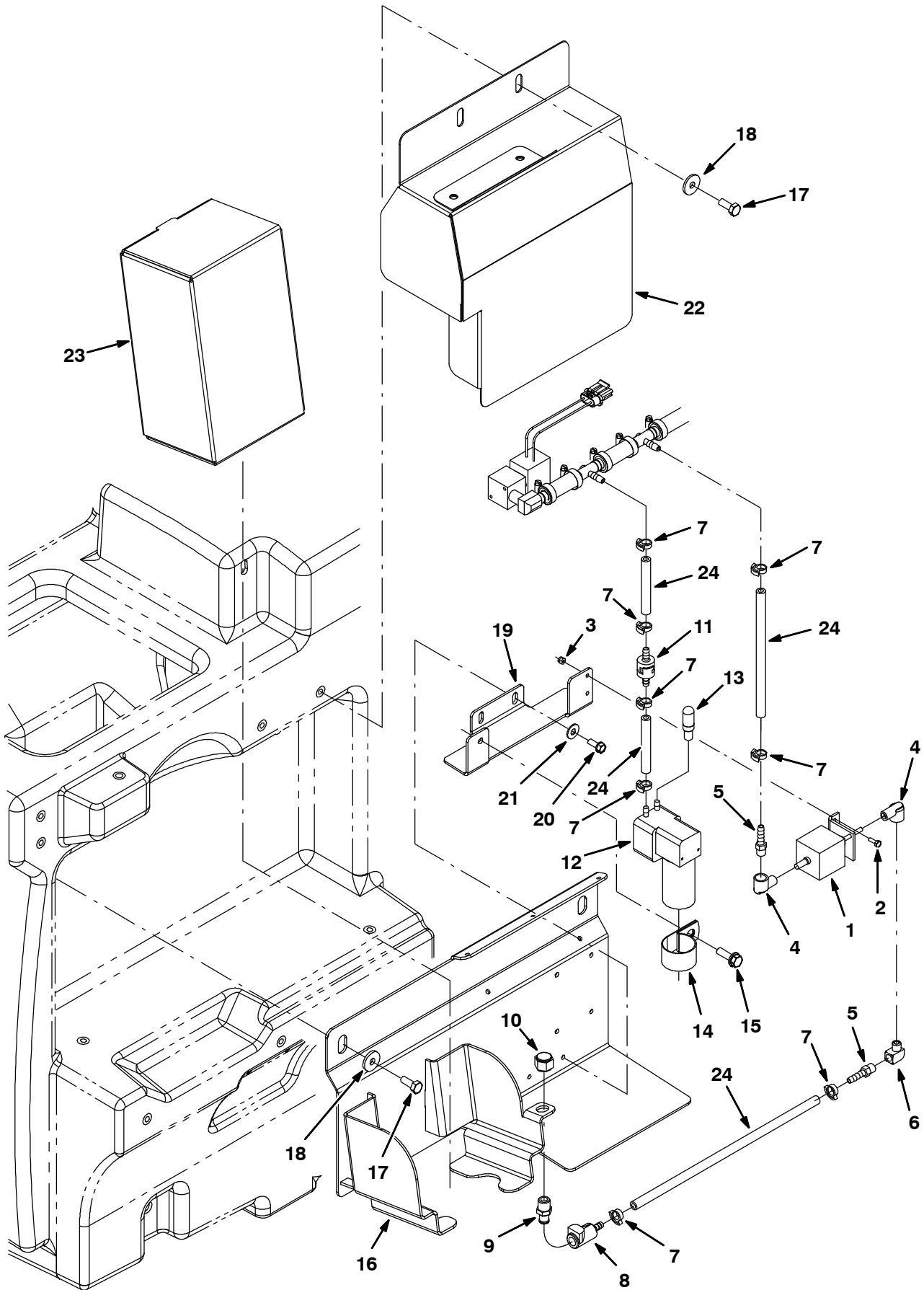


Fig. 10 - Fast Air Pump and Detergent Group (000000-001742)

Ref.	Part No.	Serial Number	Description	Qty.
1	1018097	(000000-001742)	Pump, Detgt, 12vdc	1
2	09206	(000000-001742)	Screw, Hex, M4 X 0.7 X 12, 8.8	2
3	02850	(000000-001742)	Nut, Hex, Lock, M4 X 0.7, NI	2
4	1014082	(000000-001742)	Fitting, Brs, E90, Cf03/Pf02	2
5	150525	(000000-001742)	Fitting, Brs, Str, Bm04/Pm02	2
6	11984	(000000-001742)	Fitting, Pipe, E90, Pf02/Pm02	1
7	1014575	(000000-001742)	Clamp, Hose, Plstc .351-.394 Id	8
8	1002898	(000000-001742)	Fitting, Plstc, Str, Bm04, Cplg, Fem	1
9	1002899	(000000-001742)	Fitting, Plstc, Str, Pm04, Cplg, Mal	1
10	1005435	(000000-001742)	Fitting, Plstc, Pipe, Cap, Pf04	1
11	1013902	(000000-001742)	Valve, Check, 0002psi Bm04/Bm04	1
12	1018780	(000000-001742)	Pump, Air, Ele, 12vdc	1
13	1005255	(000000-001742)	Filter Assy, Air, Mold, Ure	1
14	53466	(000000-001742)	Clamp, Cable, Stl, 1.50d X 1.00w, 1h	1
15	76099	(000000-001742)	Screw, Hex, M8 X 1.25 X 25, Fmg	1
16	1026067	(000000-001742)	Bracket Wldt, Mtg [Fast]	1
17	09740	(000000-001742)	Screw, Hex, M8 X 1.25 X 20, Ss	4
18	1017218	(000000-001742)	Washer, Flat, 0.32b 1.00d .12, Ss	4
19	1029118	(000000-001742)	Bracket, Mtg [Fast]	1
20	361339	(000000-001742)	Screw, Hex, M6 X 1.0 X 16, Fmg	2
21	32490	(000000-001742)	Washer, Flat, 0.25 Std	2
22	1033297	(000000-001742)	Cover Wldt [Fast]	1
23	1021878	(000000-001742)	Detergent Pkg, 4 Liter, Sgl [Tco 665]	1
24	1006415	(000000-001742)	Hose, Afmkt, Pvc, Clr 0.25id 03ft	1

Fig. 11 - Fast Foam Filter Group, Cylindrical Scrub Head (000000-001742)

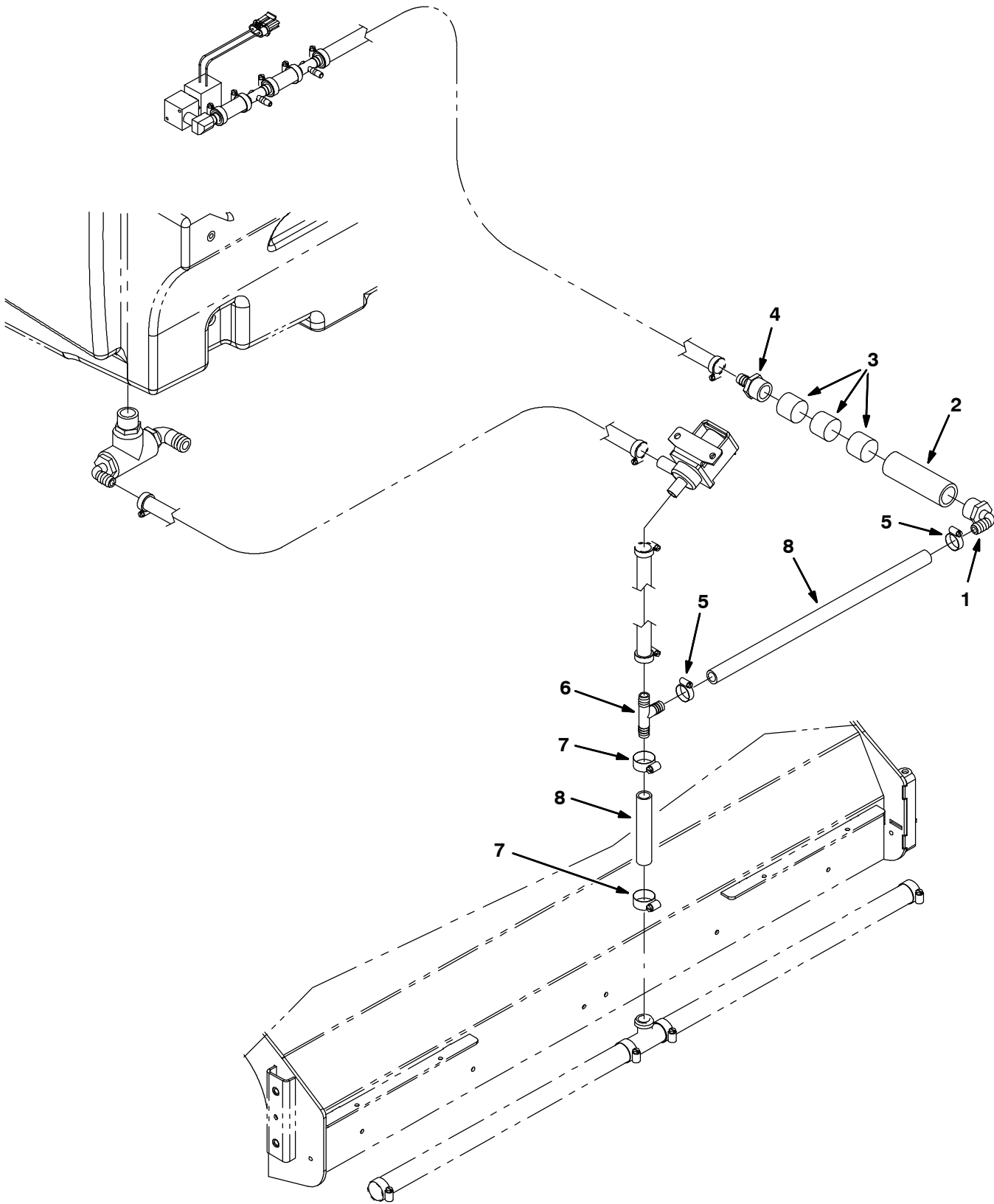


Fig. 11 - Fast Foam Filter Group, Cylindrical Scrub Head (000000-001742)

Ref.	Part No.	Serial Number	Description	Qty.
1	1005552	(000000-001742)	Fitting, Plstc, E90, Bm08/Pm12, Nyl	1
2	1005086	(000000-001742)	Tube, Pvc, Clr, 4.0l [Shc80]	1
3	1002789	(000000-001742)	Filter, Foam, Rbr, 1.20d, 1.0l	3
4	79273-1	(000000-001742)	Fitting, Plstc, Str, Bm08/Pm12	1
5	54333	(000000-001742)	Clamp, Hose, Wormdrive, 0.31-0.88d, .31w	2
6	385644	(000000-001742)	Fitting, Plstc, Tee, Bm08/Bm12/Bm12, Br	1
7	63810	(000000-001742)	Clamp, Hose, Wormdrive, 0.56-1.06d, .56w	2
8	1011521	(000000-001742)	Hose, Afmkt, Pvc, Brd 0.50id 02ft	1

Fig. 12 - Fast Foam Filter Group, Cylindrical Scrub Head with Side Brush (000000-001742)

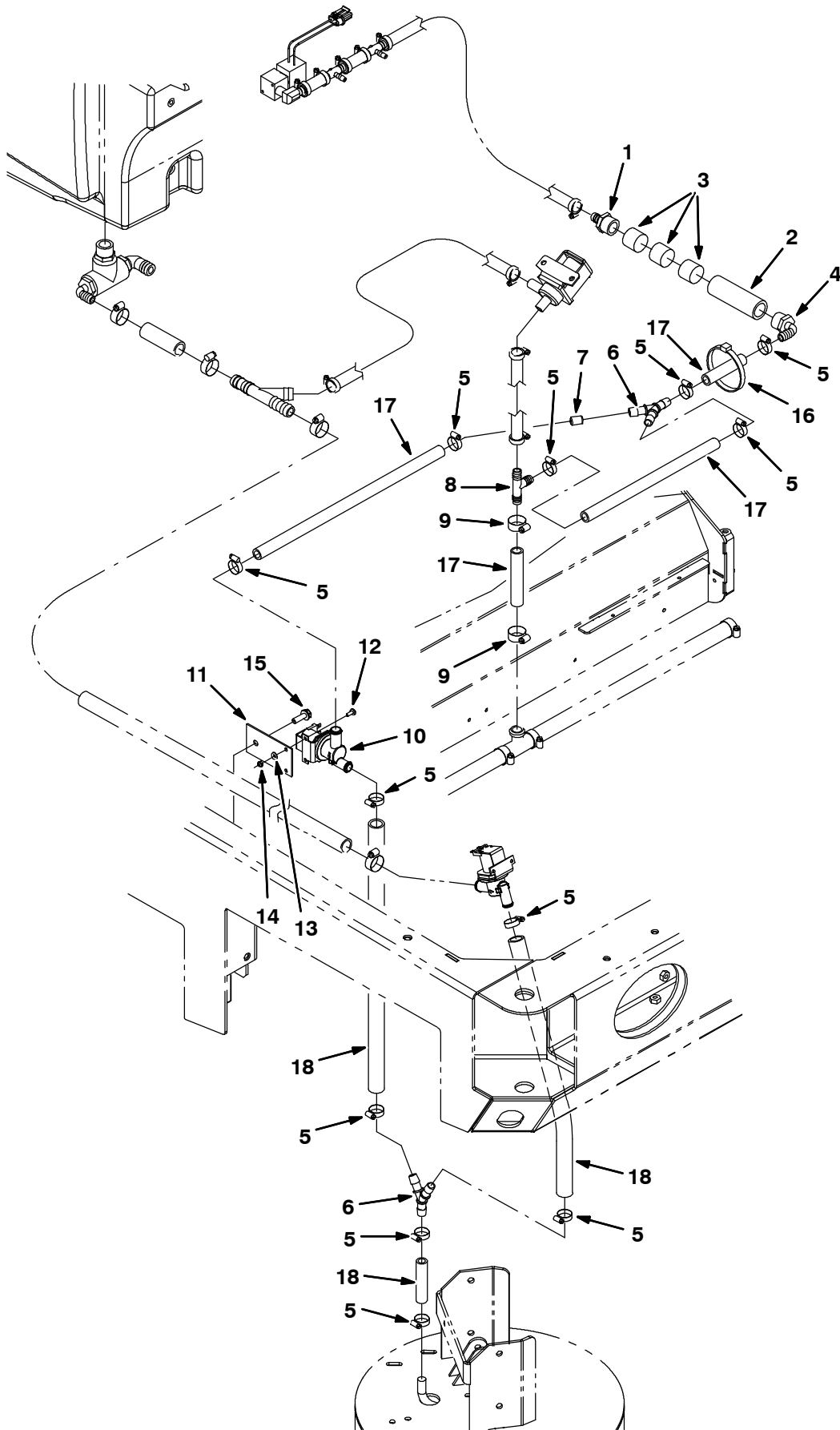


Fig. 12 - Fast Foam Filter Group, Cylindrical Scrub Head with Side Brush (000000-001742)

Ref.	Part No.	Serial Number	Description	Qty.
1	79273-1	(000000-001742)	Fitting, Plstc, Str, Bm08/Pm12	1
2	1005086	(000000-001742)	Tube, Pvc, Clr, 4.0l [Shc80]	1
3	1002789	(000000-001742)	Filter, Foam, Rbr, 1.20d, 1.0l	3
4	1005552	(000000-001742)	Fitting, Plstc, E90, Bm08/Pm12, Nyl	1
5	54333	(000000-001742)	Clamp, Hose, Wormdrive, 0.31-0.88d, .31w	10
6	1010668	(000000-001742)	Fitting, Plstc, Y, Bm08/Bm08/Bm08, Nyl	2
7	1018333	(000000-001742)	Fitting, Plstc, Rst, .50od /.13id	1
8	385644	(000000-001742)	Fitting, Plstc, Tee, Bm08/Bm12/Bm12, Br	1
9	63810	(000000-001742)	Clamp, Hose, Wormdrive, 0.56-1.06d, .56w	2
10	1037825	(000000-001742)	Valve, Solenoid, 12vdc, Water Flow	1
11	1030511	(000000-001742)	Plate, Mtg, Valve	11
12	09200	(000000-001742)	Screw, Pan, M5 X 0.8 X 12, Ss	2
13	01683	(000000-001742)	Washer, Flat, #10, Ss	2
14	09739	(000000-001742)	Nut, Hex, Lock, M5 X 0.8, NI, Ss	2
15	76099	(000000-001742)	Screw, Hex, M8 X 1.25 X 25, Fmg	1
16	763116	(000000-001742)	Tie, Cable, Nyl, 15.3l . W 4.5 Max D	1
17	1011412	(000000-001742)	Hose, Afmkt, Pvc, Brd 0.50id 08ft	1
18	1015067	(000000-001742)	Hose, Afmkt, Pvc, Clr 0.50id 08ft	1

Fig. 13 - Fast Foam Filter Group, Disk Scrub Head (00000-001742)

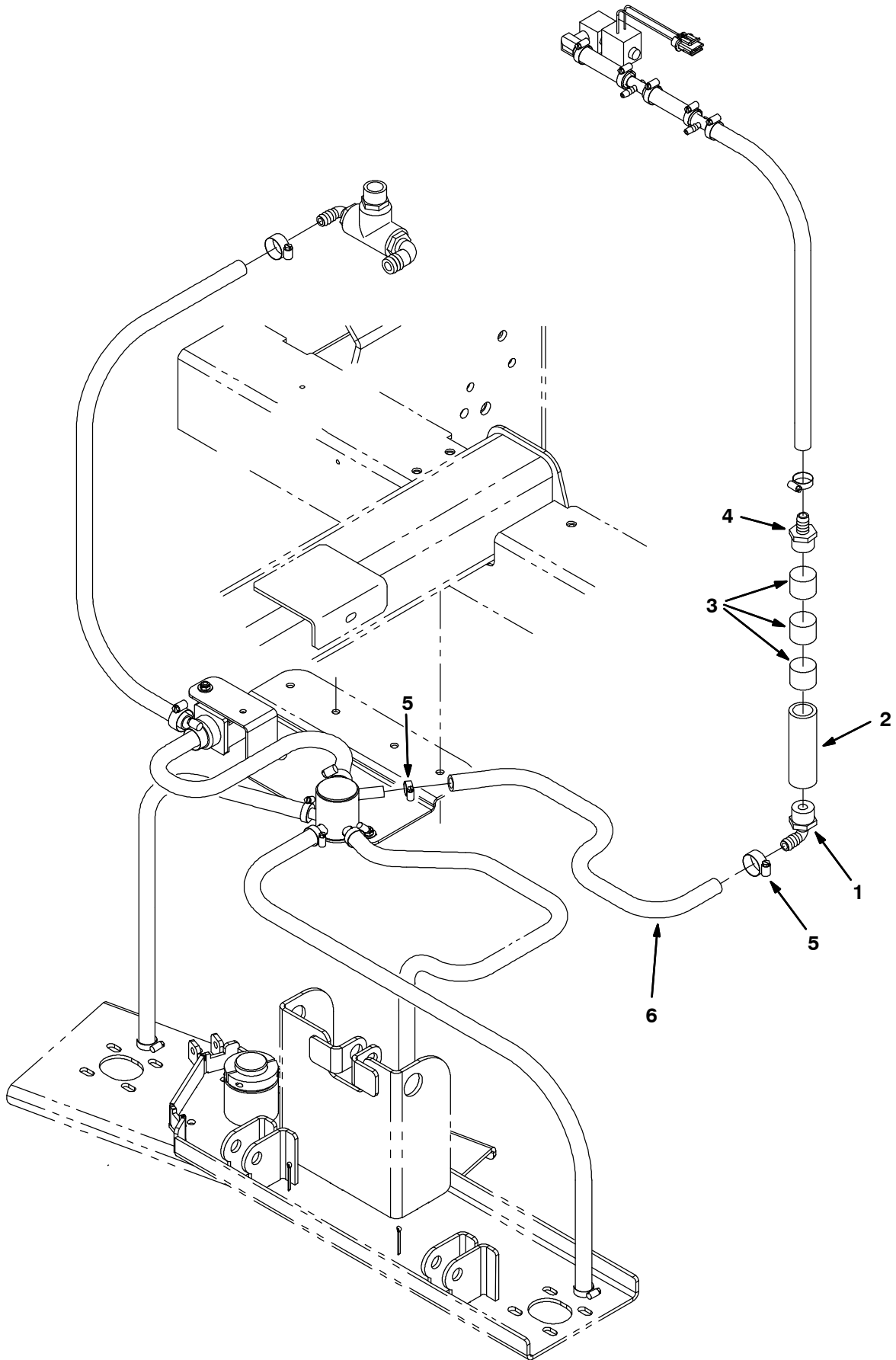


Fig. 13 - Fast Foam Filter Group, Disk Scrub Head (000000-001742)

Ref.	Part No.	Serial Number	Description	Qty.
1	1005552	(000000-001742)	Fitting, Plstc, E90, Bm08/Pm12, Nyl	1
2	1005086	(000000-001742)	Tube, Pvc, Clr, 4.0l [Shc80]	1
3	1002789	(000000-001742)	Filter, Foam, Rbr, 1.20d, 1.0l	3
4	79273-1	(000000-001742)	Fitting, Plstc, Str, Bm08/Pm12	1
5	54333	(000000-001742)	Clamp, Hose, Wormdrive, 0.31-0.88d, .31w	2
6	1011521	(000000-001742)	Hose, Afrmkt, Pvc, Brd 0.50id 02ft	1

Fig. 14 - Fast Foam Filter Group, Disk Scrub Head with Side Brush (000000-001742)

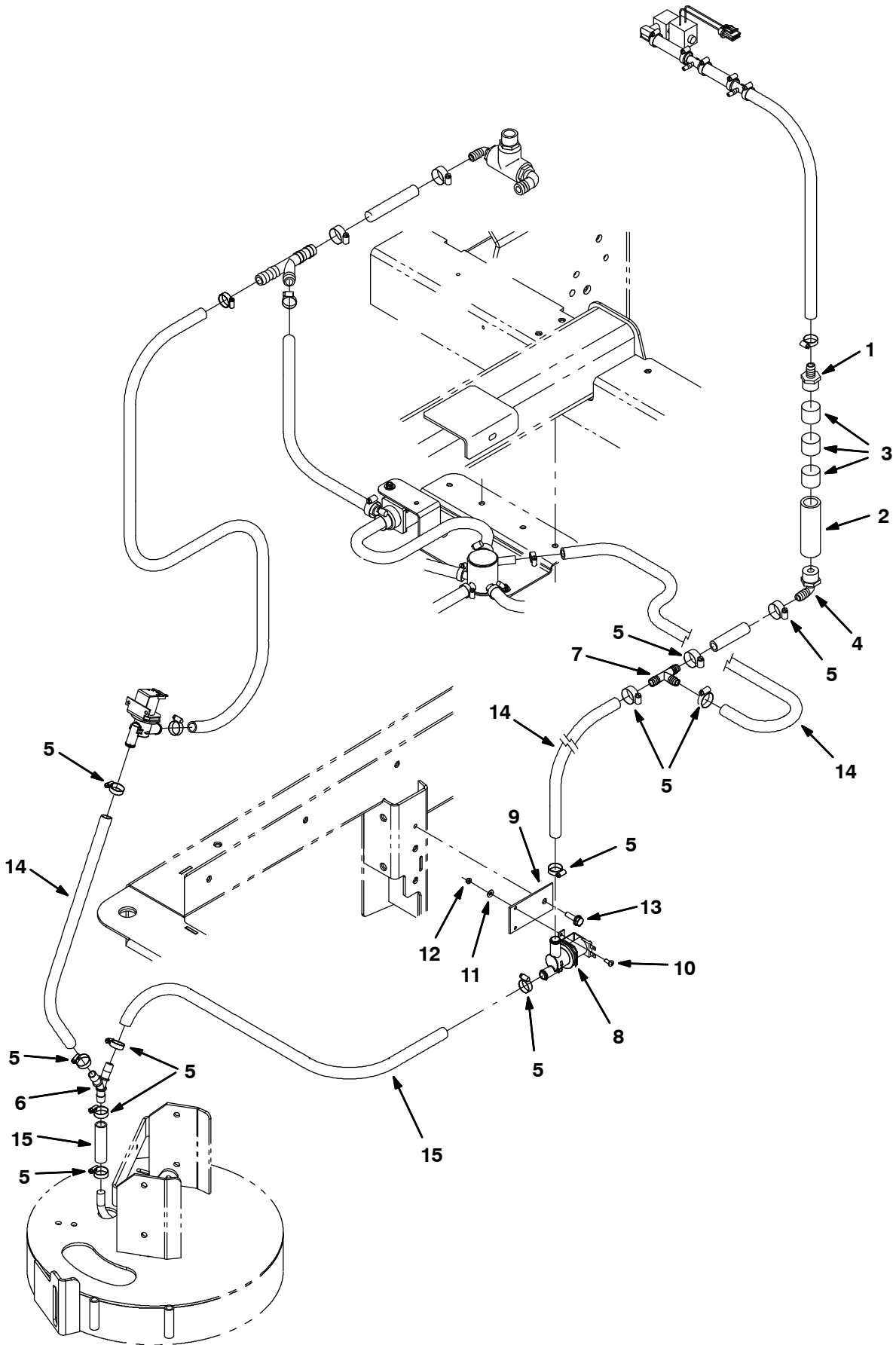


Fig. 14 - Fast Foam Filter Group, Disk Scrub Head with Side Brush (000000-001742)

Ref.	Part No.	Serial Number	Description	Qty.
1	79273-1	(000000-001742)	Fitting, Plstc, Str, Bm08/Pm12	1
2	1005086	(000000-001742)	Tube, Pvc, Clr, 4.0l [Shc80]	1
3	1002789	(000000-001742)	Filter, Foam, Rbr, 1.20d, 1.0l	3
4	1005552	(000000-001742)	Fitting, Plstc, E90, Bm08/Pm12, Nyl	1
5	54333	(000000-001742)	Clamp, Hose, Wormdrive, 0.31-0.88d, .31w	11
6	1010668	(000000-001742)	Fitting, Plstc, Y, Bm08/Bm08/Bm08, Nyl	1
7	63245-1	(000000-001742)	Fitting, Plstc, Tee, Bm08/Bm08/Bm08	1
8	1037825	(000000-001742)	Valve, Solenoid, 12vdc, Water Flow	1
9	1030511	(000000-001742)	Plate, Mtg, Valve	11
10	09200	(000000-001742)	Screw, Pan, M5 X 0.8 X 12, Ss	2
11	01683	(000000-001742)	Washer, Flat, #10, Ss	2
12	09739	(000000-001742)	Nut, Hex, Lock, M5 X 0.8, NI, Ss	2
13	76099	(000000-001742)	Screw, Hex, M8 X 1.25 X 25, Fmg	1
14	1011412	(000000-001742)	Hose, Afmkt, Pvc, Brd 0.50id 08ft	1
15	1015067	(000000-001742)	Hose, Afmkt, Pvc, Clr 0.50id 08ft	1

Fig. 15 - Fast Wire Harness Group (000000-001742)

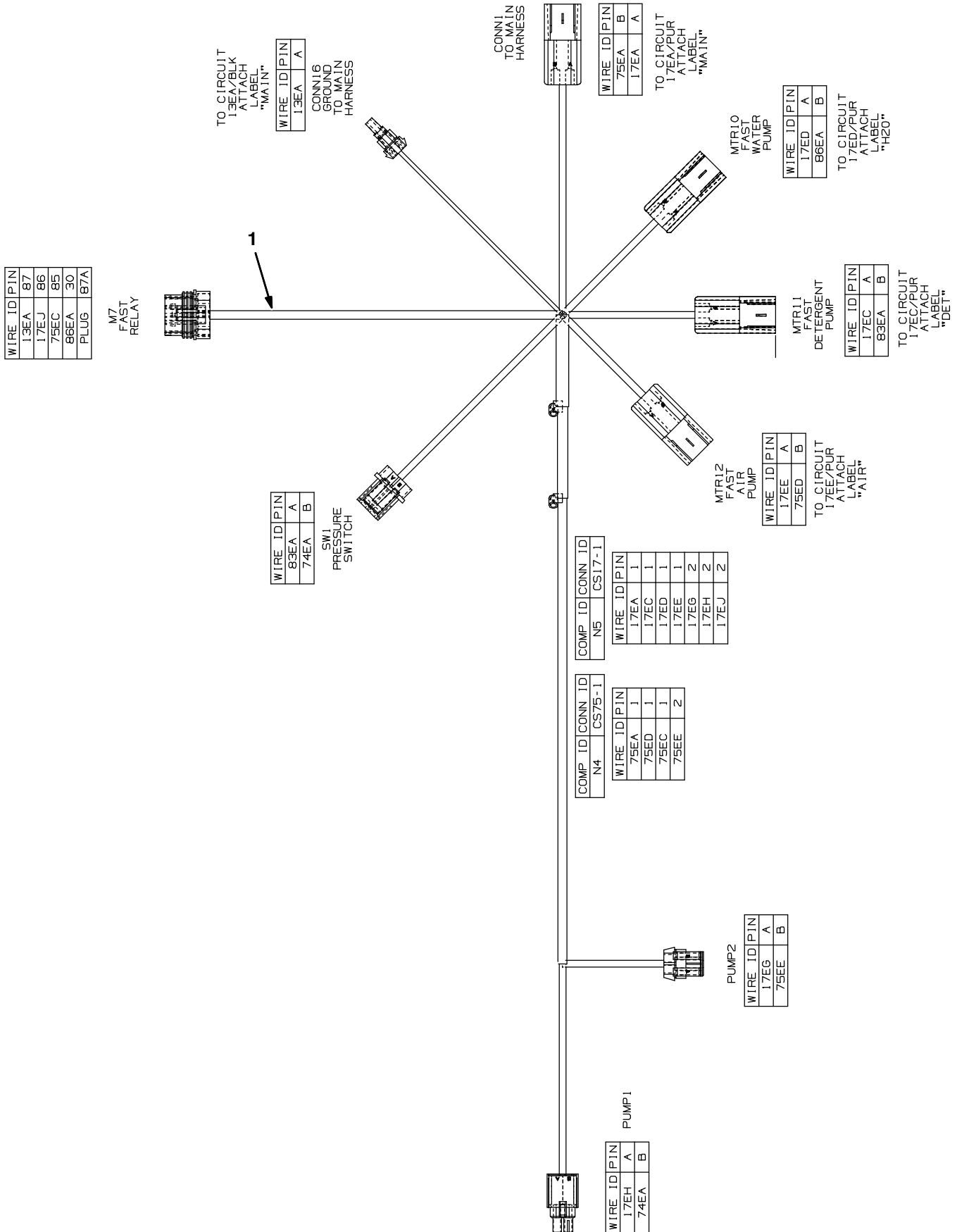


Fig. 15- Fast Wire Harness Group (000000-001742)

Ref.	Part No.	Serial Number	Description	Qty.
1	1019646	(000000-001742)	Harness [Fast, M20 And T20]	1

Fig. 16 - FaST Pumps and Detergent Group (001743-)

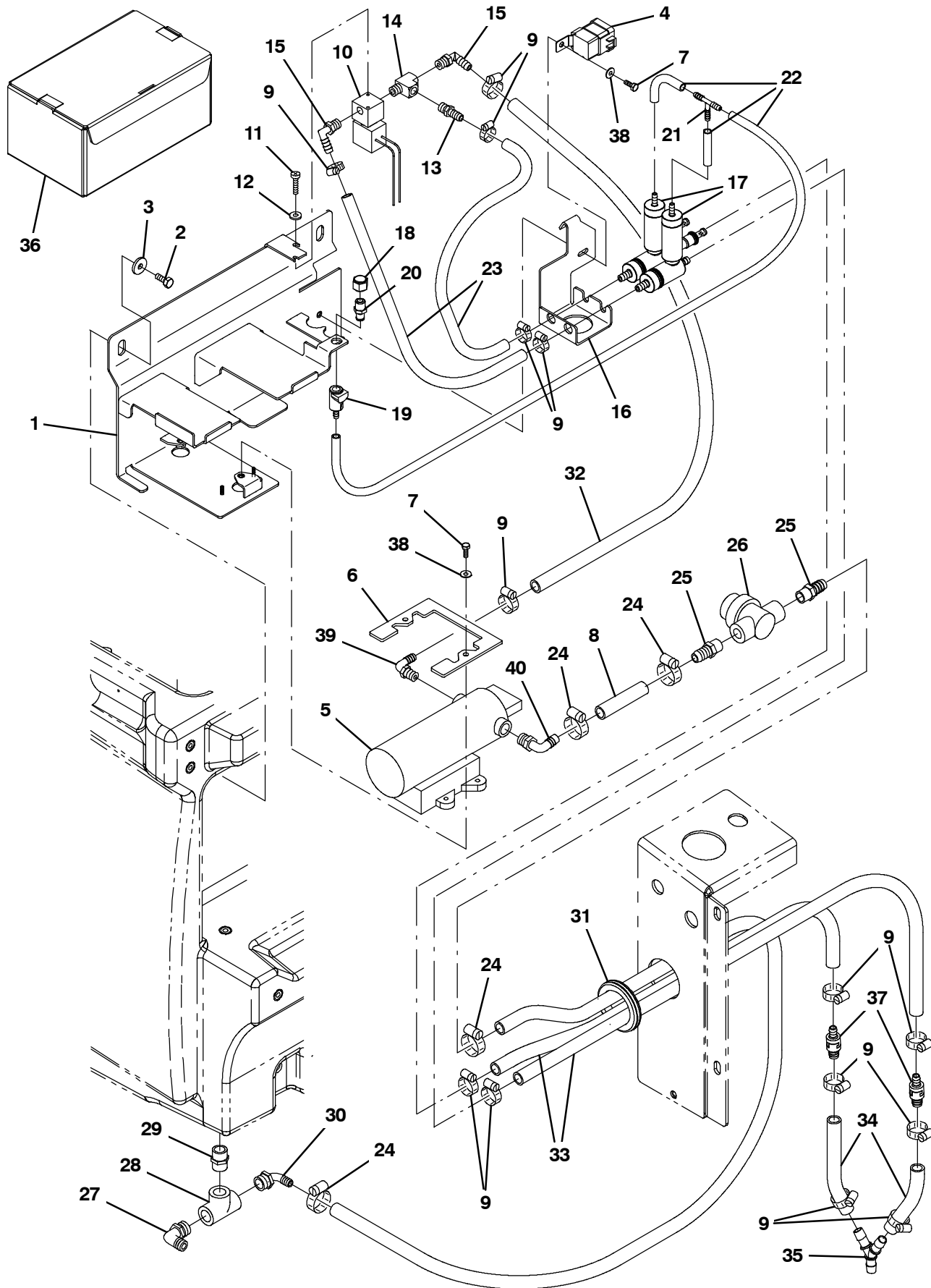


Fig. 16 - FaST Pumps and Detergent Group (001743-)

Ref.	Part No.	Serial Number	Description	Qty.
1	1044342	(001743-) Bracket Wldt, Mtg [Fast Gen 2+]	1
2	09740	(001743-) Screw, Hex, M8 X 1.25 X 20, Ss	2
3	1017218	(001743-) Washer, Flat, 0.32b 1.00d .12, Ss	2
4	56186	(001743-) Relay, 12vdc, 040a, Spdt No	1
5	1036801	(001743-) Pump, Soltn, 13.7vdc, 65psi [Fast li+]	1
6	1039357	(001743-) Bracket, Retainer, Pump	1
7	15678	(001743-) Screw, Hex, M6 X 1.00 X 16, Ss	3
8	1015047	(001743-) Hose, Afmkt, Pvc, Brd, 0.75id, 02ft, Clr	1
9	43844	(001743-) Clamp, Hose, Wormdrive, 0.25-0.62d, .31w	14
10	1018098	(001743-) Valve, Water, Solenoid, 12vdc 6.0mm Pf04	1
11	09200	(001743-) Screw, Pan, Phl, M5 X 0.80 X 12, Ss	2
12	01683	(001743-) Washer, Flat, 10, Ss	2
13	150540	(001743-) Fitting, Plstc, Str, Bm06/Pm04	1
14	150709	(001743-) Fitting, Brs, Tee, Pm04/Pf04/Pf04, Run	1
15	57248	(001743-) Fitting, Plstc, E90, Bm06/Pm04, Nyl	2
16	1044343	(001743-) Bracket, Mtg [Fast Gen 2+]	1
17	9004515	(001743-) Fast Kit, Injector, Ci[M20/M30 FaST II+]	2
18	1005435	(001743-) Fitting, Plstc, Pipe, Cap, Pf04	1
19	1002898	(001743-) Fitting, Plstc, Str, Bm04, Cplg, Fem	1
20	1002899	(001743-) Fitting, Plstc, Str, Pm04, Cplg, Mal	2
21	150713	(001743-) Fitting, Plstc, Tee, Bm04/Bm04/Bm04	1
22	1014986	(001743-) Hose, Afmkt, Pvc, Clr, 0.25id, 02ft	1
23	1006416	(001743-) Hose, Afmkt, Pvc, Clr, 0.38id, 03ft	1
24	54333	(001743-) Clamp, Hose, Wormdrive, 0.31-0.88d, .31w	8
25	150538	(001743-) Fitting, Plstc, Str, Bm06/Pm06	2
26	1005302	(001743-) Filter, In-Line, Pf06/Pf06 080mesh 02.6l	1
27	14877	(001743-) Fitting, Plstc, E90, Bm12/Pm12	1
28	42133A	(001743-) Fitting, Plstc, Tee, Pf12/Pf12/Pf12	1
29	24544	(001743-) Fitting, Plstc, Str, Pm12/Pm12 1.60l	1
30	1005552	(001743-) Fitting, Plstc, E90, Bm08/Pm12, Nyl	1
31	10632-19	(001743-) Grommet, Rbr, 2.13id, F/2.5h, .12 Matl	1
32	1006400	(001743-) Hose, Afmkt, Pvc, Brd, 0.38id, 03ft, Clr	1
33	1024237	(001743-) Hose, Afmkt, Pvc, Wir, 0.50id, 03ft, Clr	1
34	1014929	(001743-) Hose, Afmkt, Pvc, Clr, 0.38id, 01ft	1
35	1010668	(001743-) Fitting, Plstc, Y, Bm08/Bm08/Bm08, Nyl	1
36	1021878	(001743-) Fast 665 4 Ltr, Detergent	1
37	1035794	(001743-) Valve, Check, 0005psi Bm06/Bm08	2
38	01684	(001743-) Washer, Flat, 0.27B 0.69D .05, Ss	3
39	1049254	(001743-) Fitting, Nyl, Qdc, E90, Bm08/ Qm10	1
40	1049259	(001743-) Fitting, NylY, Qdc, E90, Bm06/ Qm10	1

Fig. 17 - FaST Solution Supply Group, Cylindrical Scrub Head (001743-)

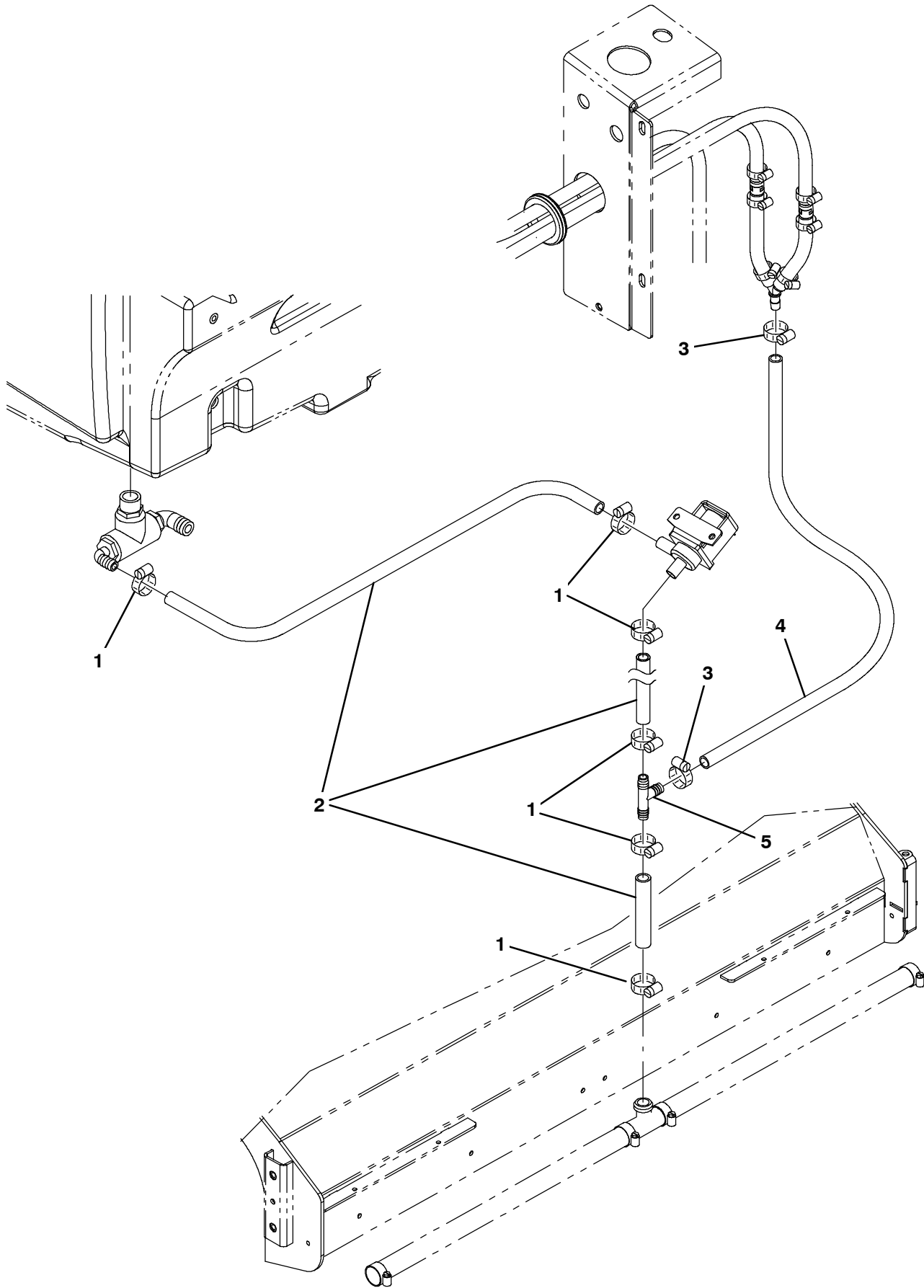


Fig. 17 - FaST Solution Supply Group, Cylindrical Scrub Head (001743-)

Ref.	Part No.	Serial Number	Description	Qty.
1	63810	(001743-) Clamp, Hose, Wormdrive, 0.56-1.06d, .56w	6
2	1015045	(001743-) Hose, Afmkt, Pvc, Brd, 0.75id, 08ft, Clr	1
3	54333	(001743-) Clamp, Hose, Wormdrive, 0.31-0.88d, .31w	2
4	1011412	(001743-) Hose, Afmkt, Pvc, Brd, 0.50id, 08ft, Clr	1
5	385644	(001743-) Fitting, Plstc, Tee, Bm08/Bm12/Bm12, Br	1

Fig. 18 - FaST Solution Supply Group with Side Brush, Cylindrical Scrub Head (001743-)

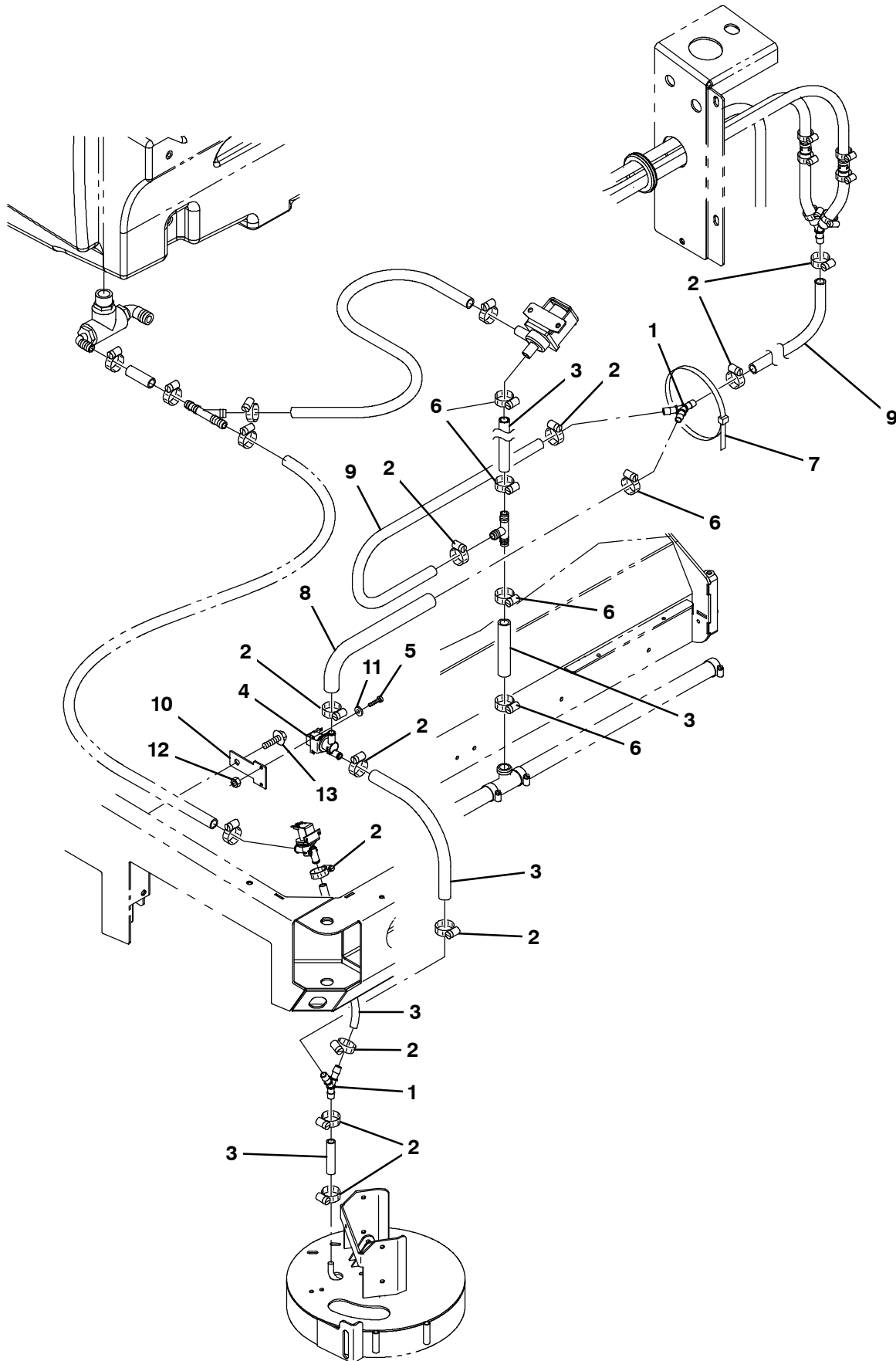


Fig. 18 - FaST Solution Supply Group with Side Brush, Cylindrical Scrub Head (001743-

)

Ref.	Part No.	Serial Number	Description	Qty.
1	1010668	(001743-) Fitting, Plstc, Y, Bm08/Bm08/Bm08, Nyl	2
2	54333	(001743-) Clamp, Hose, Wormdrive, 0.31-0.88d, .31w	11
3	1015067	(001743-) Hose, Afmkt, Pvc, Clr, 0.50id, 08ft	1
4	1037825	(001743-) Valve, Solenoid, 12vdc, Water Flow	1
5	09200	(001743-) Screw, Pan, Phl, M5 X 0.80 X 12, Ss	2
6	63810	(001743-) Clamp, Hose, Wormdrive, 0.56-1.06d, .56w	5
7	763116	(001743-) Tie, Cable, Nyl, 15.3l . W 4.5 Max D	1
8	31543	(001743-) Hose, Heater, E90, 0.62id, 24.0 4.0	1
9	1011412	(001743-) Hose, Afmkt, Pvc, Brd, 0.50id, 08ft, Clr	1
10	1030511	(001743-) Plate, Mtg, Valve	1
11	01683	(001743-) Washer, Flat, 10, Ss	2
12	09739	(001743-) Nut, Hex, Lock, M5 X 0.80, NI, Ss	2
13	76099	(001743-) Screw, Hex, M8 X 1.25 X 25, Fmg	1

Fig. 19 - FaST Solution Supply Group, Disk Scrub Head (001743-)

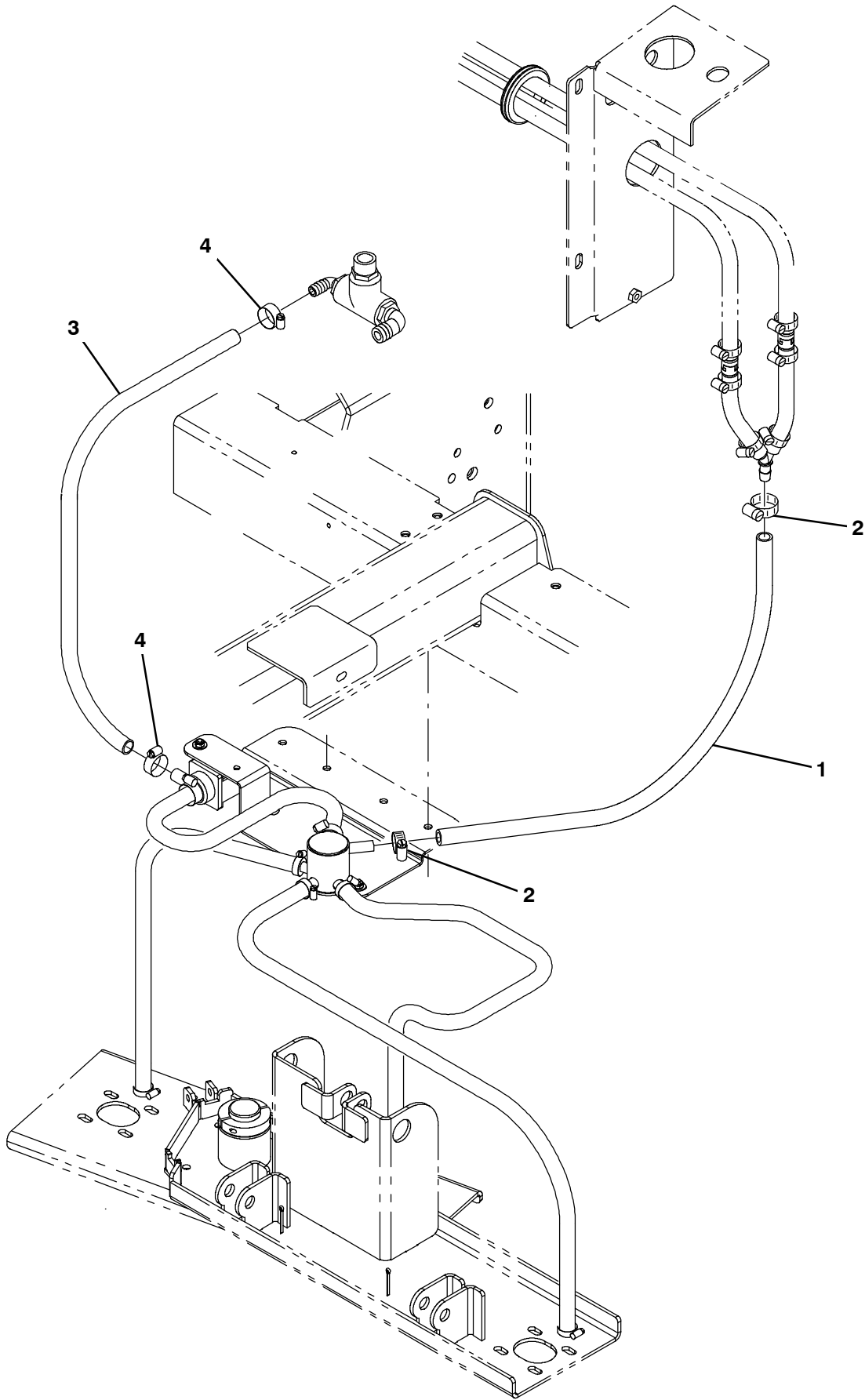


Fig. 19 - FaST Solution Supply Group, Disk Scrub Head (001743-)

Ref.	Part No.	Serial Number	Description	Qty.
1	1011412	(001743-) Hose, Afmkt, Pvc, Brd, 0.50id, 08ft, Clr	1
2	54333	(001743-) Clamp, Hose, Wormdrive, 0.31-0.88d, .31w	2
3	1015045	(001743-) Hose, Afmkt, Pvc, Brd, 0.75id, 08ft, Clr	1
4	63810	(001743-) Clamp, Hose, Wormdrive, 0.56-1.06d, .56w	4

Fig. 20 - FaST Solution Supply Group with Side Brush, Disk Scrub Head (001743-)

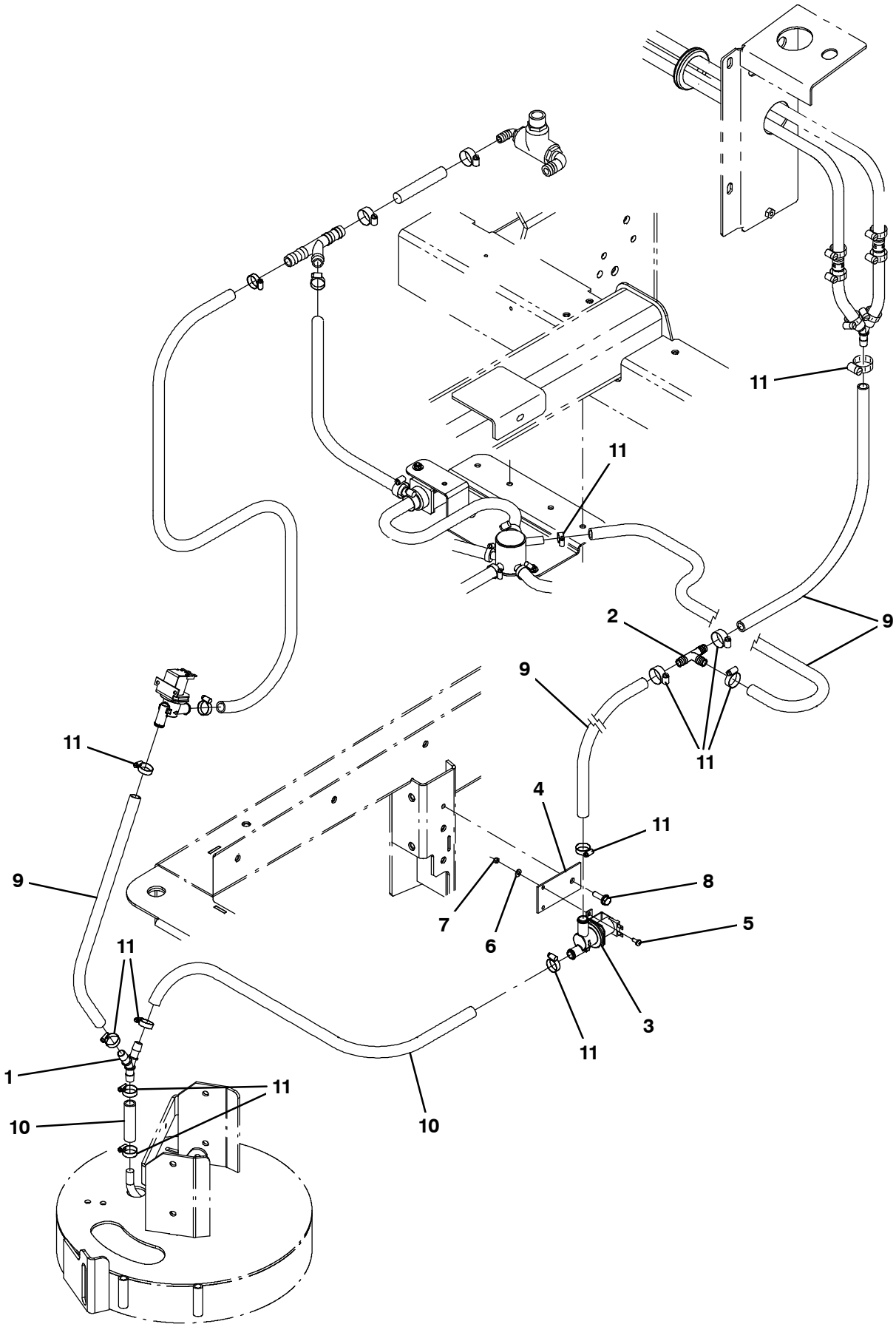


Fig. 20 - FaST Solution Supply Group with Side Brush, Disk Scrub Head (001743-)

Ref.	Part No.	Serial Number	Description	Qty.
1	1010668	(001743-) Fitting, Plstc, Y, Bm08/Bm08/Bm08, Nyl	1
2	63245-1	(001743-) Fitting, Plstc, Tee, Bm08/Bm08/Bm08	1
3	1037825	(001743-) Valve, Solenoid, 12vdc, Water Flow	1
4	1030511	(001743-) Plate, Mtg, Valve	11
5	09200	(001743-) Screw, Pan, Phl, M5 X 0.80 X 12, Ss	2
6	01683	(001743-) Washer, Flat, 10, Ss	2
7	09739	(001743-) Nut, Hex, Lock, M5 X 0.80, NI, Ss	2
8	76099	(001743-) Screw, Hex, M8 X 1.25 X 25, Fmg	1
9	1011412	(001743-) Hose, Afmkt, Pvc, Brd, 0.50id, 08ft, Clr	1
10	1015067	(001743-) Hose, Afmkt, Pvc, Clr, 0.50id, 08ft	1
11	54333	(001743-) Clamp, Hose, Wormdrive, 0.31-0.88d, .31w	11

Fig. 21 - Fast Wire Harness Group (001743-)

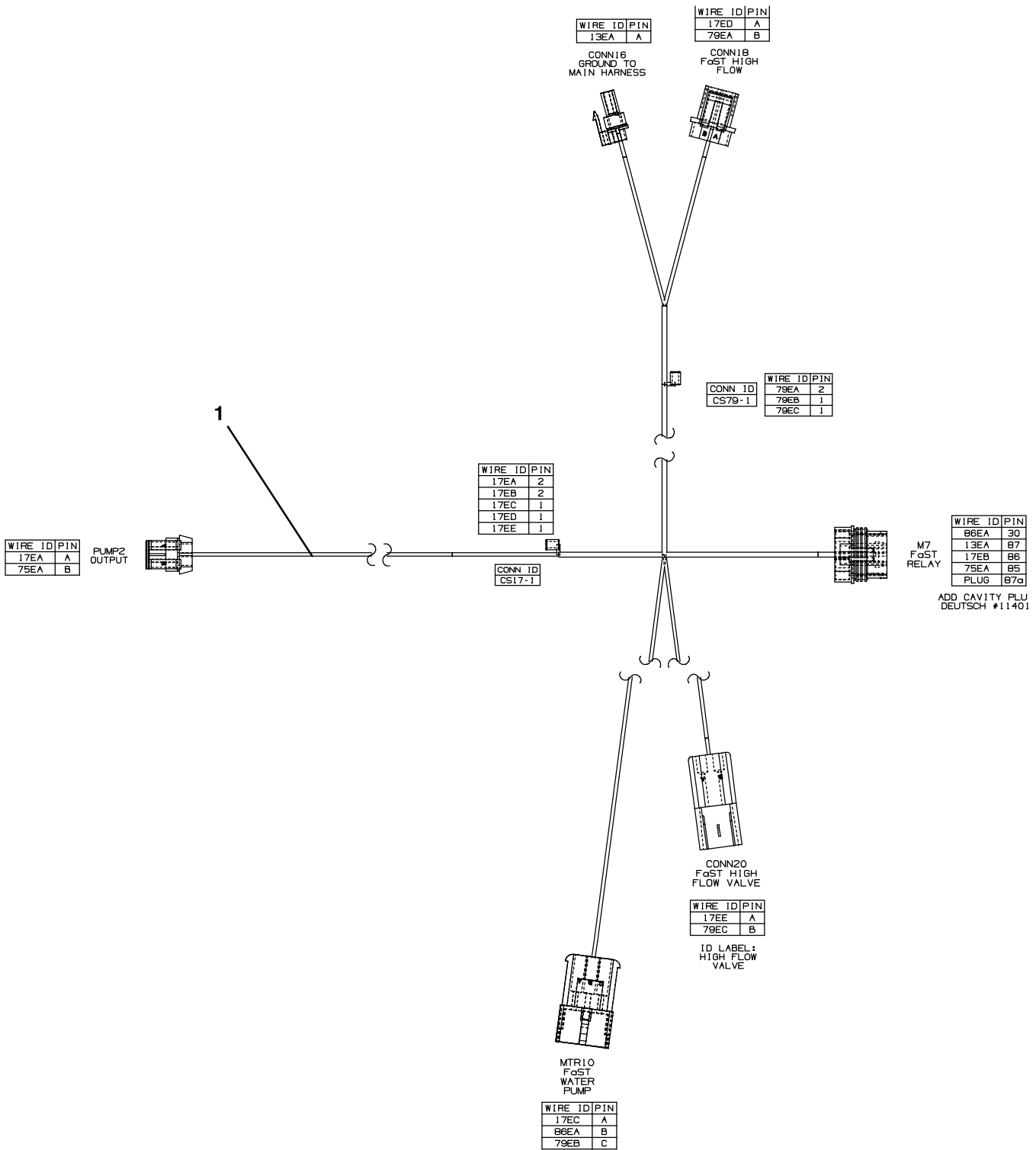


Fig. 21 - Fast Wire Harness Group (001743-)

Ref.	Part No.	Serial Number	Description	Qty.
1	1037809	(001743-) Harness, Wire [Fast Gen 2]	1

Fig. 22 - ec-H2O Solution Pump Group

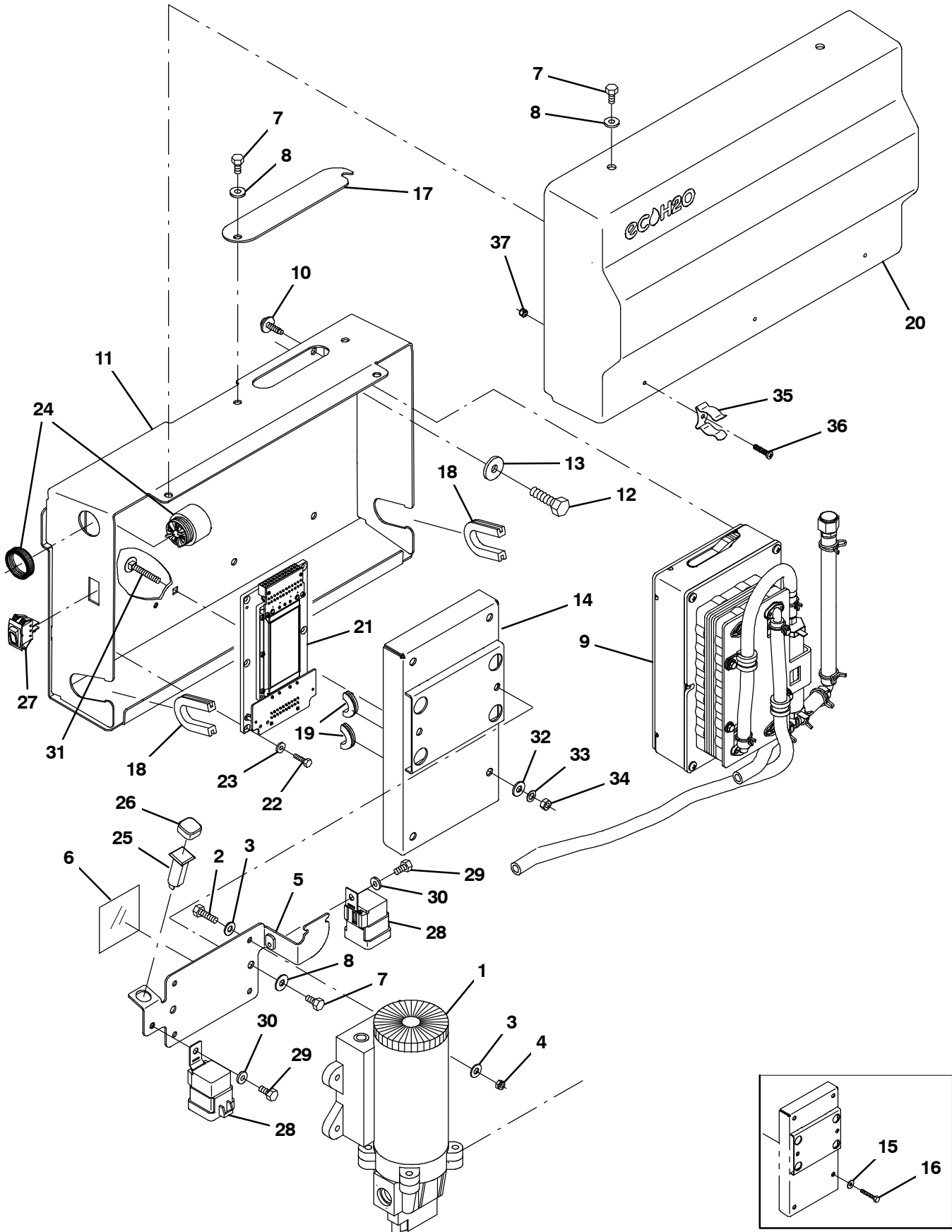


Fig. 22 - ec-H2O Solution Pump Group

Ref.	Part No.	Serial Number	Description	Qty.
1	1060624	(000000-) Pump, Soltn, Ele, 13.7vdc,12/28psi	1
2	09252	(000000-) Screw, Hex, M5 X 0.80 X 20, 8.8	4
3	19066	(000000-) Washer, Flat, 10	8
4	06549	(000000-) Nut, Hex, Lock, M5 X 0.80, NI	4
5	1060273	(000000-) Plate, Mtg, Pump	1
6	1059677	(000000-) Strip, Rbr, 0.06 03.54w 03.5l [Neo/60]	1
7	09744	(000000-) Screw, Hex, M6 X 1.00 X 12, Ss	6
8	01684	(000000-) Washer, Flat, 0.27b 0.69d .05, Ss	6
9	9007882	(000000-) Module Kit, Replmt [Ec-H2O] (See Breakdowns)	1
10	1040467	(000000-) Screw, Hex, M6 X 1.00 X 20, 9.8, Sems	4
11	1060292	(000000-) Plate Wldt, Mtg	1
12	09740	(000000-) Screw, Hex, M8 X 1.25 X 20, Ss	2
13	1017218	(000000-) Washer, Flat, 0.32b 1.00d .12, Ss	2
14	1060185	(000000-) Cover Wldt, Power Supply	1
15	01684	(000000-xxxxxx) Washer, Flat, 0.27b 0.69d .05, Ss	4
16	07805	(000000-xxxxxx) Screw, Hex, M6 X 1.00 X 35, Ss	4
17	1060291	(000000-) Plate, Inspection	1
18	1020168	(000000-) Molding, Afmkt, Trim, Pvc, .08 .11, 01Ft	1
19	10632-4	(000000-) Grommet, Rbr, 0.62id, F/0.9h, .06 Matl	1
20	1060719	(000000-) Cover, Trimmed	1
21	1058963	(000000-) Converter, Ele, 12-36 Vdc	1
22	09206	(000000-) Screw, Hex, M4 X 0.70 X 12, 8.8	4
23	19065	(000000-) Washer, Flat, 08	4
24	1052726	(000000-) Alarm, 9-48vdc, 95 Db(A) [Ec-H2O]	1
25	1053078	(000000-) Circuitbreaker, 2.0a, Resetable	1
26	1046173	(000000-) Boot, Circuitbreaker	1
27	1044393	(000000-) Switch, Rocker, Spst, Mom	1
28	56186	(000000-) Relay, 12vdc, 040a, Spdt No	2
29	09738	(000000-) Screw, Hex, M5 X 0.80 X 12, Ss	2
30	01683	(000000-) Washer, Flat, 10, Ss	2
31	1062804	(xxxxxx-) Bolt, Carriage, M06 X 1.00 X 40, 4.6	4
32	41359	(xxxxxx-) Nut, Hex, Std, M6 X 1.00, 8	4
33	32982	(xxxxxx-) Washer, Lock, Int, 0.25	4
34	32483	(xxxxxx-) Washer, Flat, 0.25, Sae	4
35	1029057	(000000-) Clip, Grip, Finger, 0.88-1.25d	3
36	12323	(000000-) Screw, Pan, Phl, M4 X 0.70 X 20, Ss	3
37	33932	(000000-) Nut, Hex, Lock, M4 X 0.70, NI, Ss	3

Fig. 23 - ec-H2O Solution Pump Supply Group

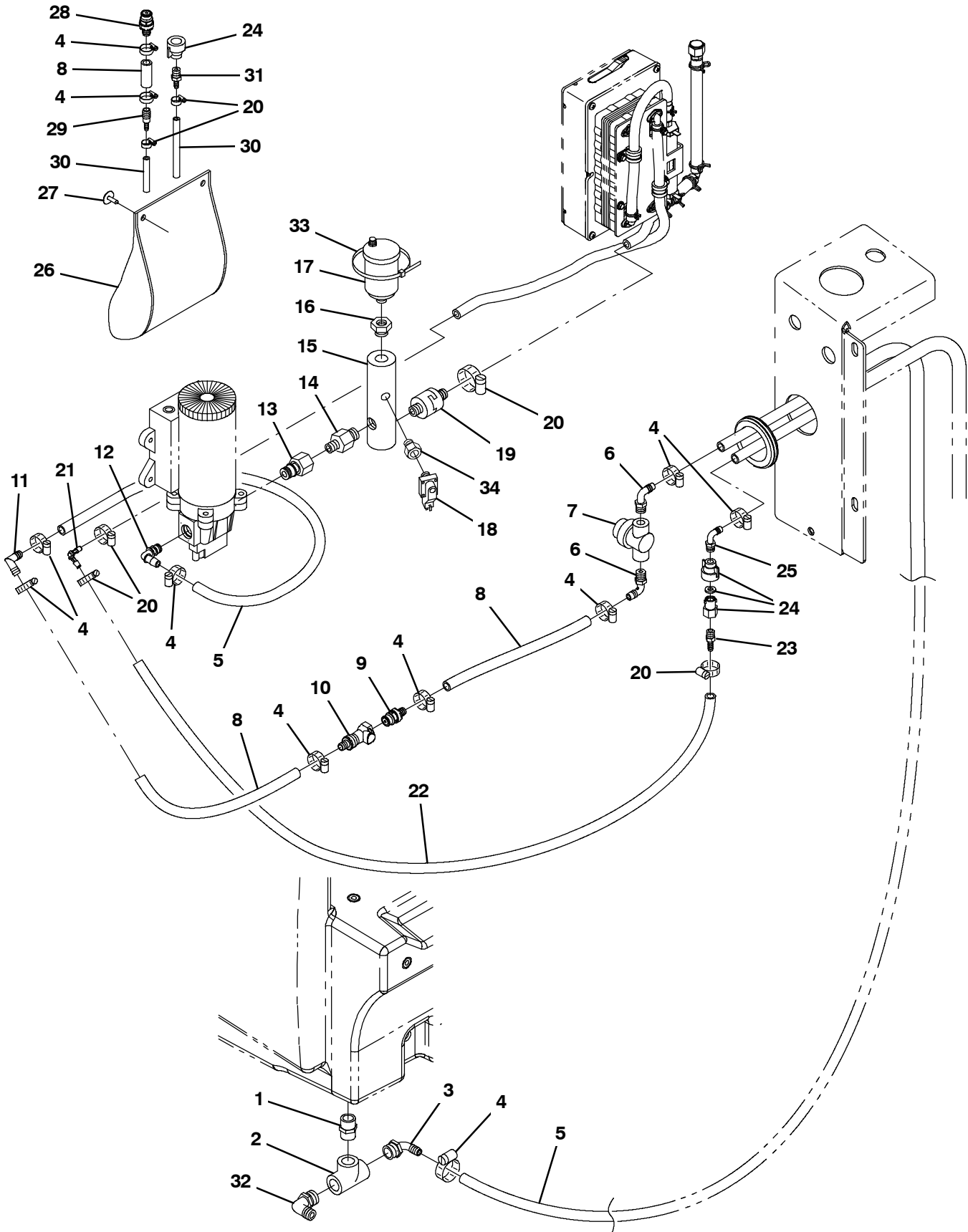


Fig. 23 - ec-H2O Solution Pump Supply Group

Ref.	Part No.	Serial Number	Description	Qty.
1	24544	(000000-) Fitting, Plstc, Str, Pm12/Pm12 1.60l	1
2	42133A	(000000-) Fitting, Plstc, Tee, Pf12/Pf12/Pf12	1
3	1005552	(000000-) Fitting, Plstc, E90, Bm08/Pm12, Nyl	1
4	54333	(000000-) Clamp, Hose, Wormdrive, 0.31-0.88d, .31w	1
5	1011521	(000000-) Hose, Afmkt, Pvc, Brd, 0.50id, 02ft, Clr	2
6	64778	(000000-) Fitting, Plstc, E90, Bm08/Pm06	2
7	1005302	(000000-) Filter, In-Line, Pf06/Pf06 080mesh 02.6l	1
8	1011403	(000000-) Hose, Afmkt, Pvc, Brd, 0.50id, 01ft, Clr	3
9	1017415	(000000-) Insert, Cplg, Qm, Bm08	1
10	1017413	(000000-) Housing, Cplg, Qf / Pm08	1
11	63987-1	(000000-) Fitting, Plstc, E90, Bm08/Bm08	1
12	1049254	(000000-) Fitting, Nyl, Qdc, E90, Bm08/ Qm10	1
13	1059372	(000000-) Fitting, Plstc, Str, Pf06/Qm10, Pvc	1
14	1005219	(000000-) Fitting, Plstc, Str, Pm04/Pm06, Nyl	1
15	1060596	(000000-) Manifold, Water	1
16	24698	(000000-) Fitting, Brs, Str, Pf02/Pm06	1
17	1017386	(000000-) Valve, Vent, Air, Float Type	1
18	1058935	(000000-) Switch, Press, 50 Psi, Pm02	1
19	1060693	(000000-) Valve, Check, 0005psi Pm04/Bm06	1
20	43844	(000000-) Clamp, Hose, Wormdrive, 0.25-0.62d, .31w	1
21	1059391	(000000-) Fitting, Plstc, E90, Bm05/Bm05, Nyl	1
22	1052336	(000000-) Hose, Afmkt, PVC, Brd, 0.31ld, 03Ft, Clr	2
23	1052017	(000000-) Fitting, Plstc, Str, Bm05/Pm04	1
24	1043866	(000000-) Fitting Assy, Qdc, Pf04	2
25	65581	(000000-) Fitting, Plstc, E90, Bm08/Pm04	1
26	48790	(000000-) Pouch	1
27	72968	(000000-) Rivet, Plstc, .250d X 0.90	2
28	1017415	(000000-) Insert, Cplg, Qm, Bm08	1
29	630164	(000000-) Fitting, Plstc, Str, Bm04/Bm08	1
30	1006415	(000000-) Hose, Afmkt, Pvc, Clr, 0.25id, 03ft	2
31	50901	(000000-) Fitting, Plstc, Str, Bm04/Pm04	1
32	14877	(000000-) Fitting, Plstc, E90, Bm12/Pm12	1
33	130773	(000000-) Tie, Cable, Nyl, 11.0L, .14W, 3.0 Max. D	1
34	1062403	(000000-) Fitting, Brs, Snubber, Pm02/Pf02	1

Fig. 24 - ec-H2O Solution Supply Group, Cylindrical Scrub Head

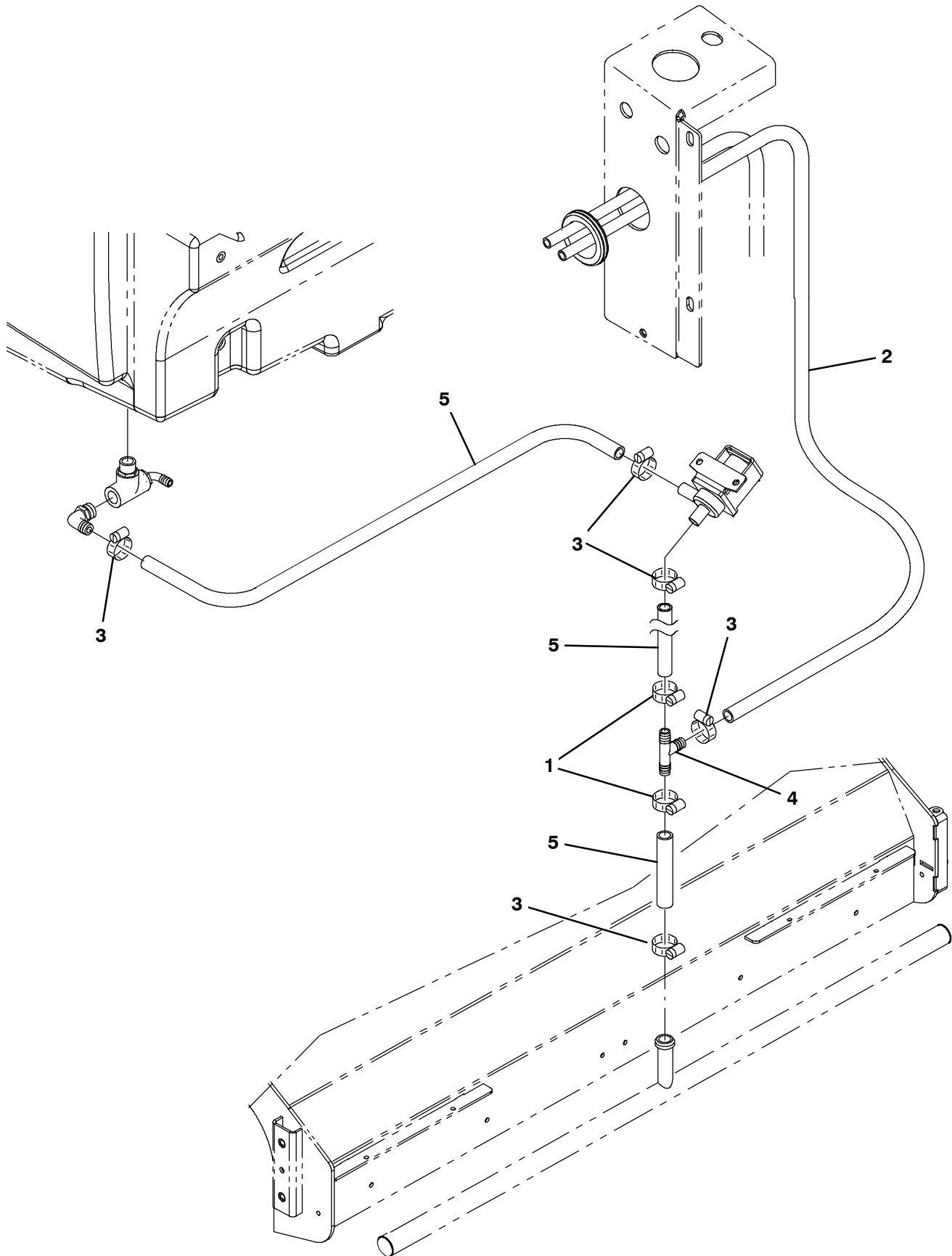


Fig. 24 - ec-H2O Solution Supply Group, Cylindrical Scrub Head

Ref.	Part No.	Serial Number	Description	Qty.
1	63810	(000000-) Clamp, Hose, Wormdrive, 0.56-1.06d, .56w	2
2	1011837	(000000-) Hose, Afmkt, Pvc, Brd, 0.50id, 12ft, Clr	1
3	54333	(000000-) Clamp, Hose, Wormdrive, 0.31-0.88d, .31w	2
4	385644	(000000-) Fitting, Plstc, Tee, Bm08/Bm12/Bm12, Br	1
5	1015045	(000000-) Hose, Afmkt, Pvc, Brd, 0.75id, 08ft, Clr	1

Fig. 25 - ec-H2O Solution Supply Group, Cylindrical Scrub Head with Side Brush

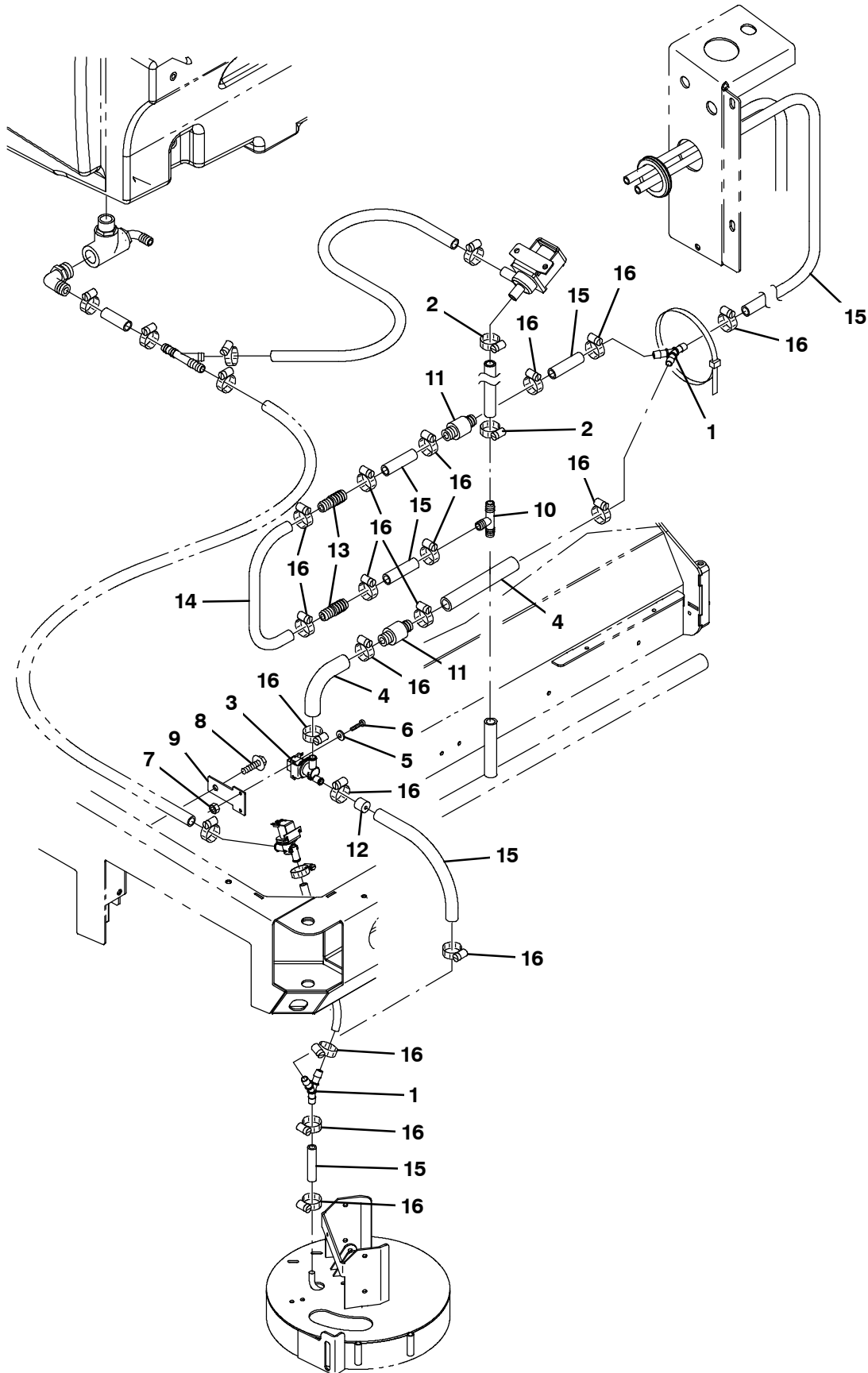


Fig. 25 - ec-H2O Solution Supply Group, Cylindrical Scrub Head with Side Brush

Ref.	Part No.	Serial Number	Description	Qty.
1	1010668	(000000-) Fitting, Plstc, Y, Bm08/Bm08/Bm08, Nyl	1
2	63810	(000000-) Clamp, Hose, Wormdrive, 0.56-1.06d, .56w	2
3	1037825	(000000-) Valve Assy, Water, Solenoid, 12vdc	1
4	31543	(000000-) Hose, Heater, E90, 0.62id, 24.0 4.0	1
5	01683	(000000-) Washer, Flat, 10, Ss	2
6	09200	(000000-) Screw, Pan, Phl, M5 X 0.80 X 12, Ss	2
7	09739	(000000-) Nut, Hex, Lock, M5 X 0.80, NI, Ss	2
8	76099	(000000-) Screw, Hex, M8 X 1.25 X 25, Fmg	1
9	1030511	(000000-) Plate, Mtg, Valve	1
10	385644	(000000-) Fitting, Plstc, Tee, Bm08/Bm12/Bm12, Br	1
11	1010614	(000000-) Valve, Check, 2gpm .5psi Bm08/Bm08	2
12	1061045	(000000-) Plug, Restrictor	1
13	222375	(000000-) Fitting, Plstc, Str, Bm06/Bm08	2
14	1014974	(000000-) Hose, Afmkt, Pvc, Brd, 0.38id, 02ft, Clr	1
15	1011412	(000000-) Hose, Afmkt, Pvc, Brd, 0.50id, 08ft, Clr	1
16	54333	(000000-) Clamp, Hose, Wormdrive, 0.31-0.88d, .31w	18

Fig. 26 - ec-H2O Solution Supply Group, Disk Scrub Head

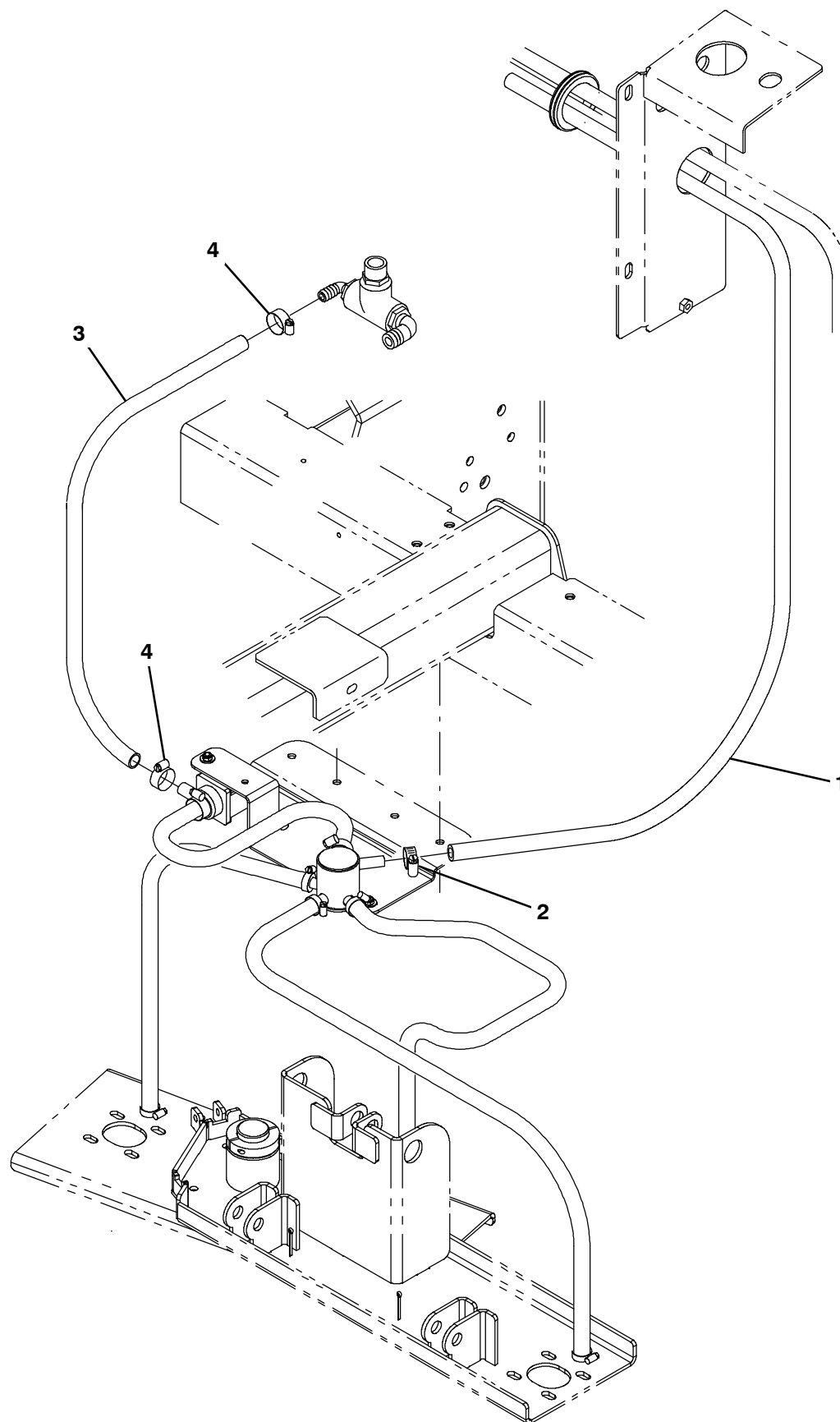


Fig. 26 - ec-H2O Solution Supply Group, Disk Scrub Head

Ref.	Part No.	Serial Number	Description	Qty.
1	1011412	(000000-) Hose, Afmkt, Pvc, Brd, 0.50ld, 08Ft, Clr	1
2	54333	(000000-) Clamp, Hose, Wormdrive, 0.31-0.88D, .31W	2
3	1015045	(000000-) Hose, Afmkt, Pvc, Brd, 0.75ld, 08Ft, Clr	1
4	63810	(000000-) Clamp, Hose, Wormdrive, 0.56-1.06D, .56W	2

Fig. 27 - ec-H2O Solution Supply Group, Disk Scrub Head with Side Brush

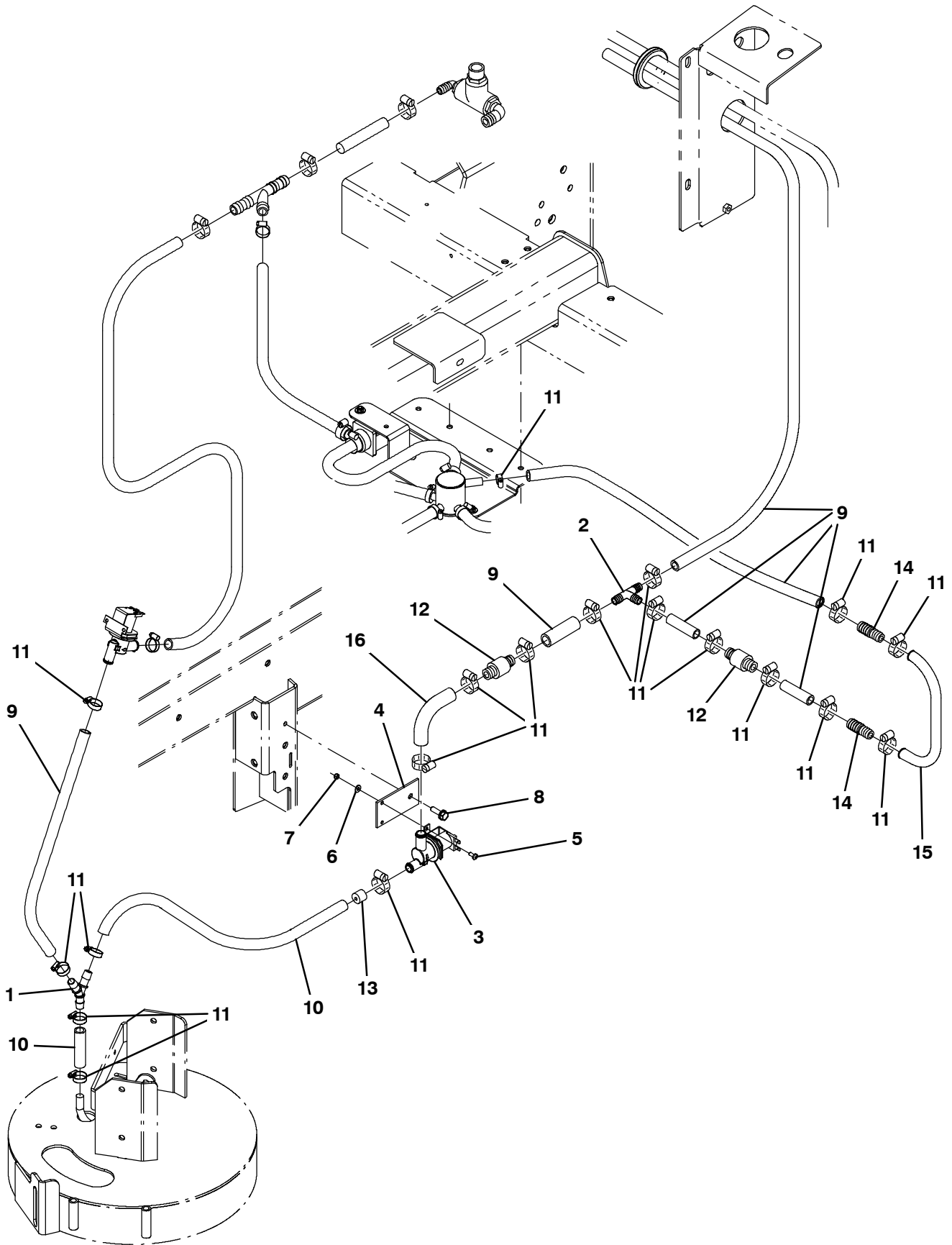


Fig. 27 - ec-H2O Solution Supply Group, Disk Scrub Head with Side Brush

Ref.	Part No.	Serial Number	Description	Qty.
1	1010668	(000000-) Fitting, Plstc, Y, Bm08/Bm08/Bm08, Nyl	1
2	63245-1	(000000-) Fitting, Plstc, Tee, Bm08/Bm08/Bm08	1
3	1037825	(000000-) Valve, Solenoid, 12vdc, Water Flow	1
4	1030511	(000000-) Plate, Mtg, Valve	11
5	09200	(000000-) Screw, Pan, Phl, M5 X 0.80 X 12, Ss	2
6	01683	(000000-) Washer, Flat, 10, Ss	2
7	09739	(000000-) Nut, Hex, Lock, M5 X 0.80, NI, Ss	2
8	76099	(000000-) Screw, Hex, M8 X 1.25 X 25, Fmg	1
9	1011412	(000000-) Hose, Afmkt, Pvc, Brd, 0.50id, 08ft, Clr	1
10	1015067	(000000-) Hose, Afmkt, Pvc, Clr, 0.50id, 08ft	1
11	54333	(000000-) Clamp, Hose, Wormdrive, 0.31-0.88d, .31w	20
12	1010614	(000000-) Valve, Check, 2Gpm .5Psi Bm08/Bm08	2
13	1061045	(000000-) Plug, Rsestricter	1
14	222375	(000000-) Fitting, Plstc, Str, BM06/BM08	2
15	1014974	(000000-) Hose, Afmkt, Pvc, Brd, 0.38ld, 02Ft, Clr	1
16	31543	(000000-) Hose, Heater, E90, 0.62ld, 24.0 4.0	1

Fig. 28 - ec-H20 Wire Harness Group

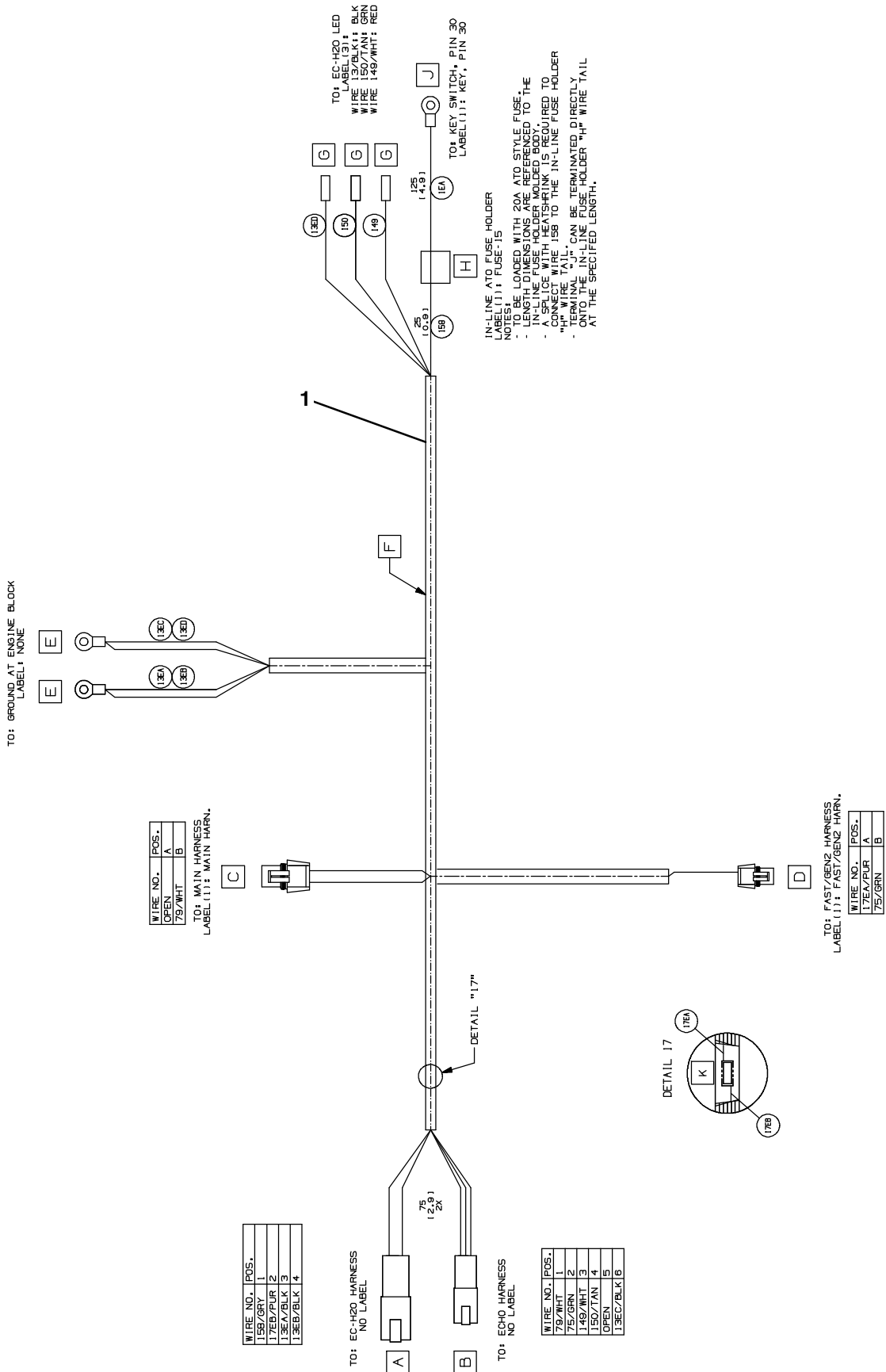


Fig. 28 - ec-H20 Wire Harness Group

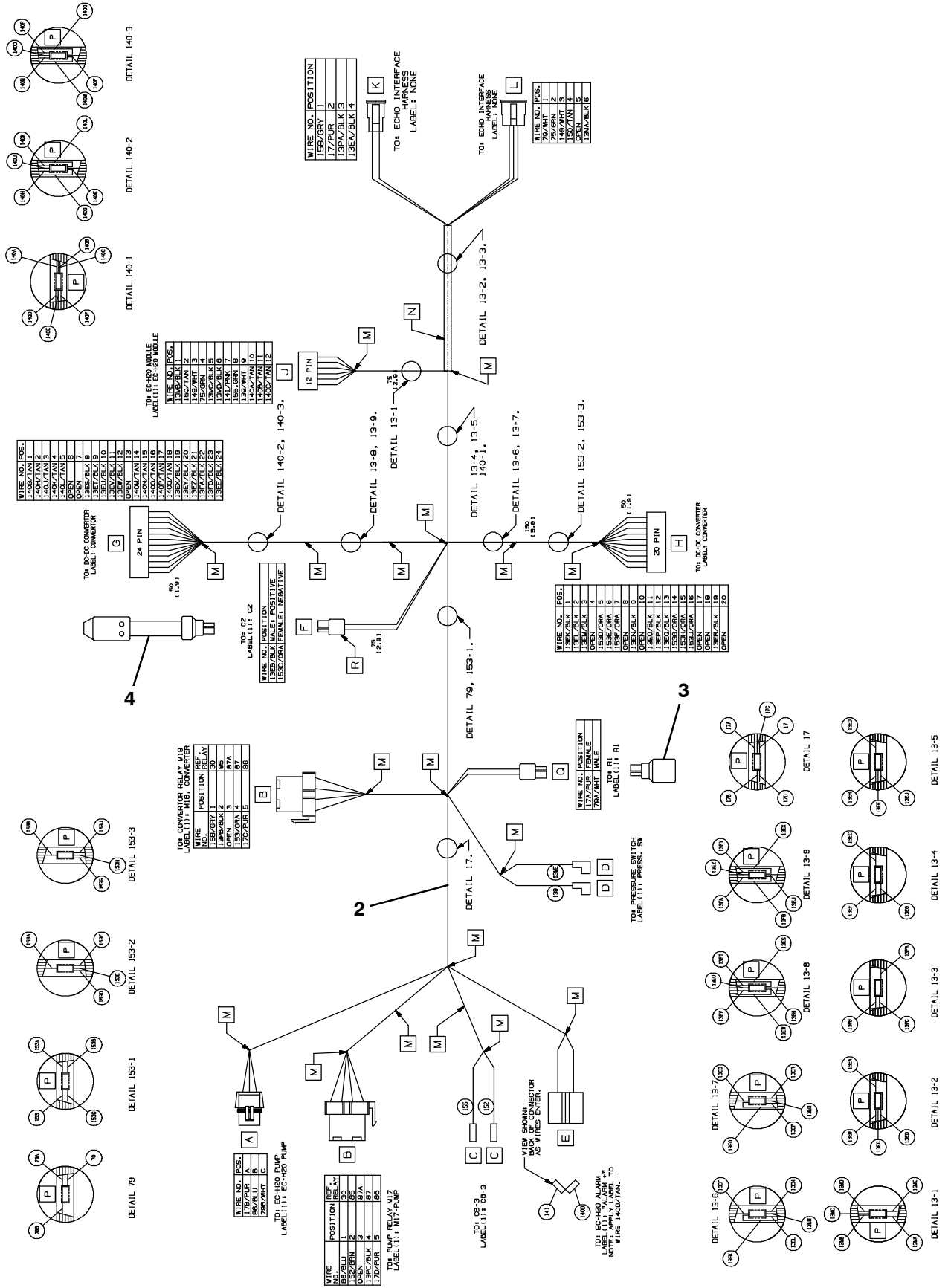
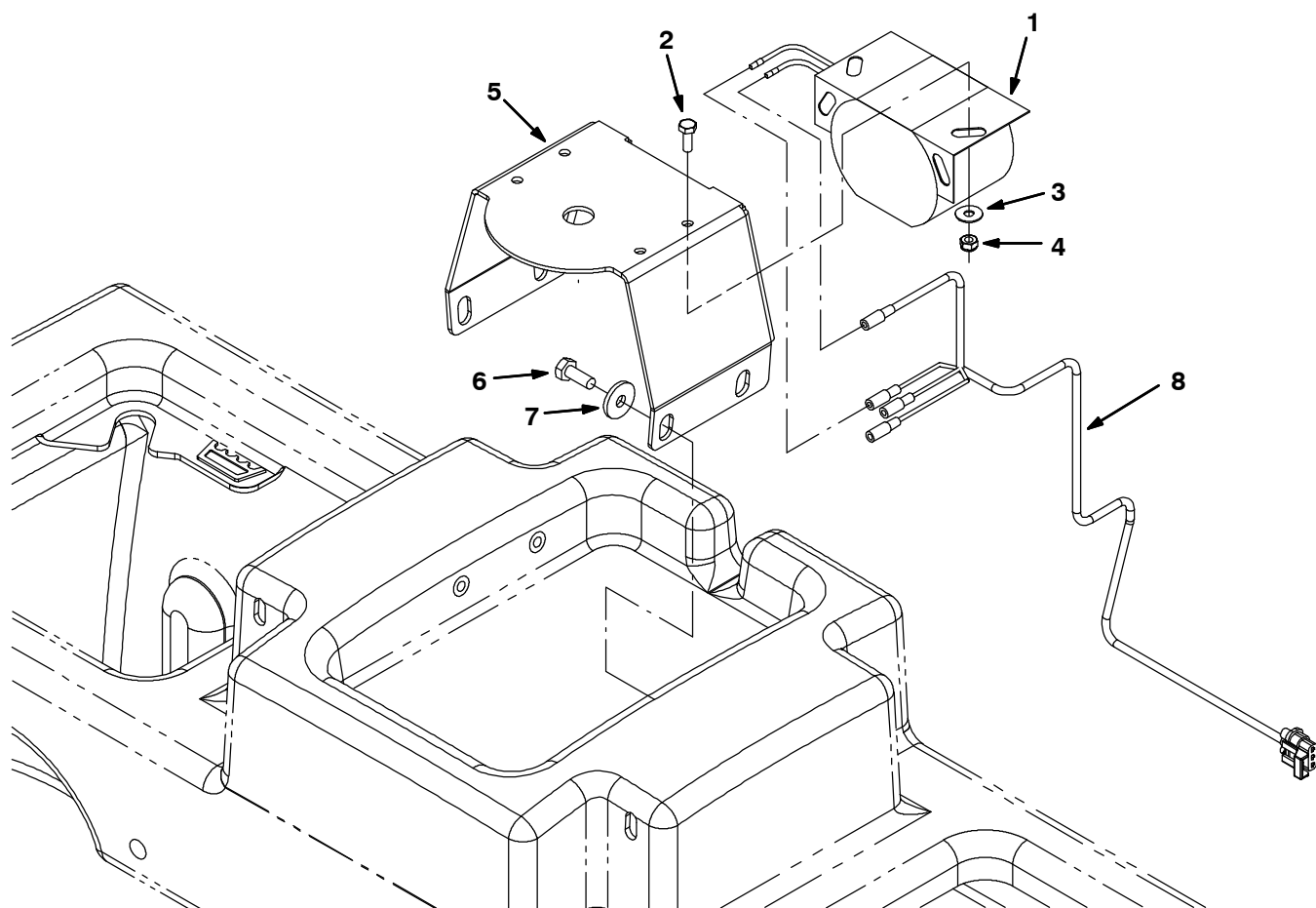


Fig. 28 - ec-H20 Wire Harnesses Group

Ref.	Part No.	Serial Number	Description	Qty.
1	1060870	(000000-) Harness, Wire, Interface [Ec-H2o]	1
2	1060871	(000000-) Harness, Wire [Ec-H2o]	1
3	1060880	(000000-) Resistor, Ele, Plug [430 , 2w]	1
4	1060881	(000000-) Capacitor, Plug [4700uf, 25v]	1

Fig. 29 - Backup Alarm Kit



354473

Ref.	Part No.	Serial Number	Description	Qty.
▽	9001321	(000000-) Alarm Kit, Backup, Ci [M20 And T20]	1
▲	1 9007131	(000000-) Alarm Assy, Backup, 12/48Vdc	1
▲	2 24196	(000000-) Screw, Pan, Phl, M5 X 0.80 X 20, Ss	2
▲	3 19066	(000000-) Washer, Flat, 10	2
▲	4 09739	(000000-) Nut, Hex, Lock, M5 X 0.80, NI, Ss	2
▲	5 1019445	(000000-) Bracket, Sppt, Revl Light	1
▲	6 09740	(000000-) Screw, Hex, M8 X 1.25 X 20, Ss	4
▲	7 1017218	(000000-) Washer, Flat, 0.32b 1.00d .12, Ss	4
▲	8 1019971	(000000-) Harness, Warning / Backup [M20 & T20]	1

Fig. 30 - Light Kit, Flashing

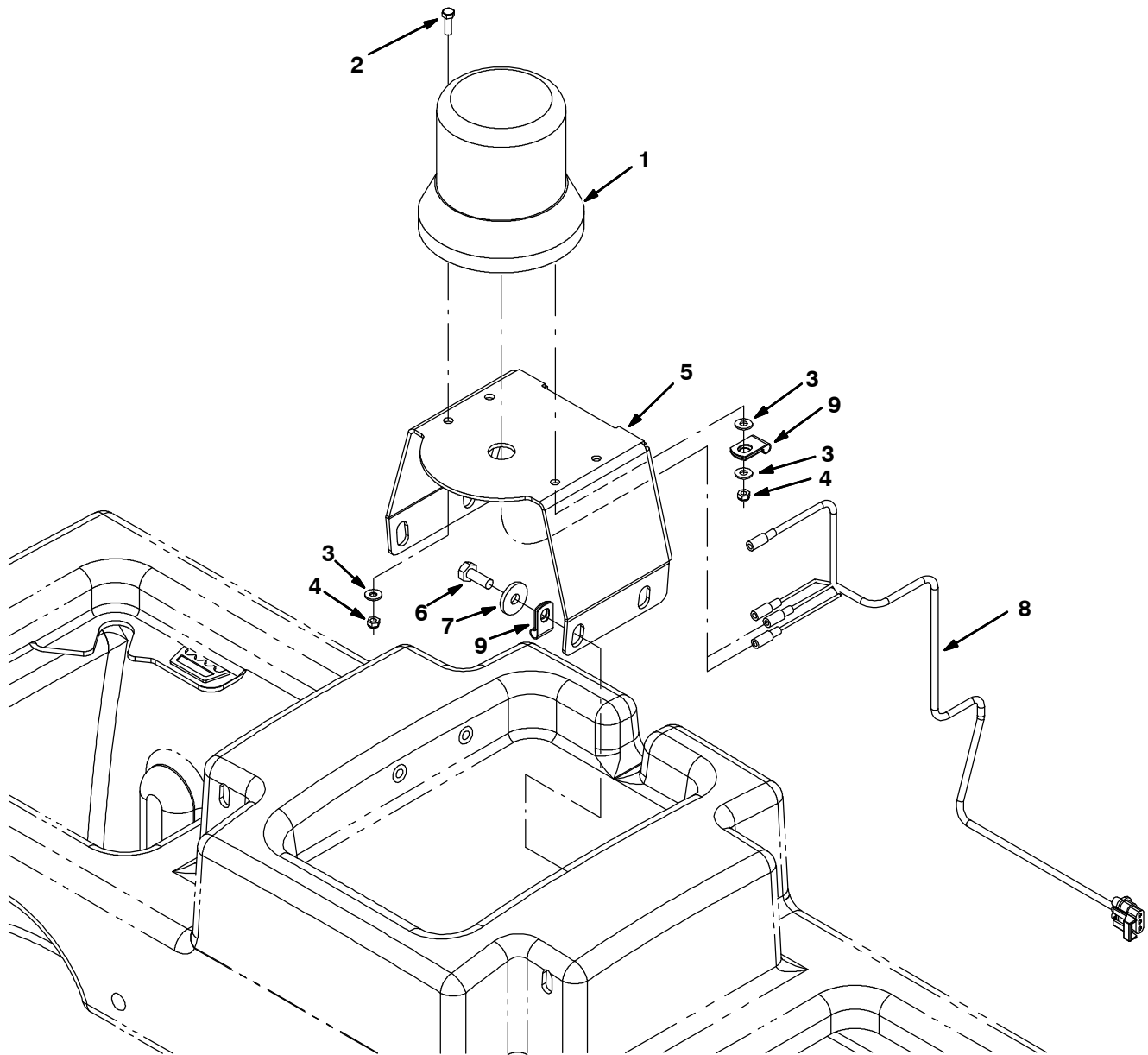


Fig. 30 - Light Kit, Flashing

	Ref.	Part No.	Serial Number	Description	Qty.
▽		9001327	(000000-) Light Kit, Flsh, Ci [M20 And T20]	1
▲▽	1	1017248	(000000-) Lamp, Flasher, Amb [12-48 Vdc]	1
▲▲		9000879	(000000-) Lens, Lamp, Amb, Strobe/Flasher	1
▲▲		9000846	(000000-) Lamp, Bulb, Flsh	1
▲▲		1027800	(000000-) Lens, Blue, Option, F/ Revl / Flsh Light	1
▲▲		1027798	(000000-) Lens, Red, Option, F/ Revl / Flsh Light	1
▲		55272	(000000-) Terminal, Bullet, Mal, .157d, 12ga	2
▲	2	24196	(000000-) Screw, Pan, Phl, M5 X 0.80 X 20, Ss	2
▲	3	19066	(000000-) Washer, Flat, 10	2
▲	4	09739	(000000-) Nut, Hex, Lock, M5 X 0.80, NI, Ss	2
▲	5	1019445	(000000-) Bracket, Sppt, Revl Light	1
▲	6	09740	(000000-) Screw, Hex, M8 X 1.25 X 20, Ss	4
▲	7	1017218	(000000-) Washer, Flat, 0.32b 1.00d .12, Ss	4
▲	8	1019971	(000000-) Harness, Warning / Backup [M20 & T20]	1
▲	9	46236	(000000-) Clamp, Cable, Stl, 0.25D X 0.56W, 1Hole	2

Fig. 31 - Light Kit, Revolving

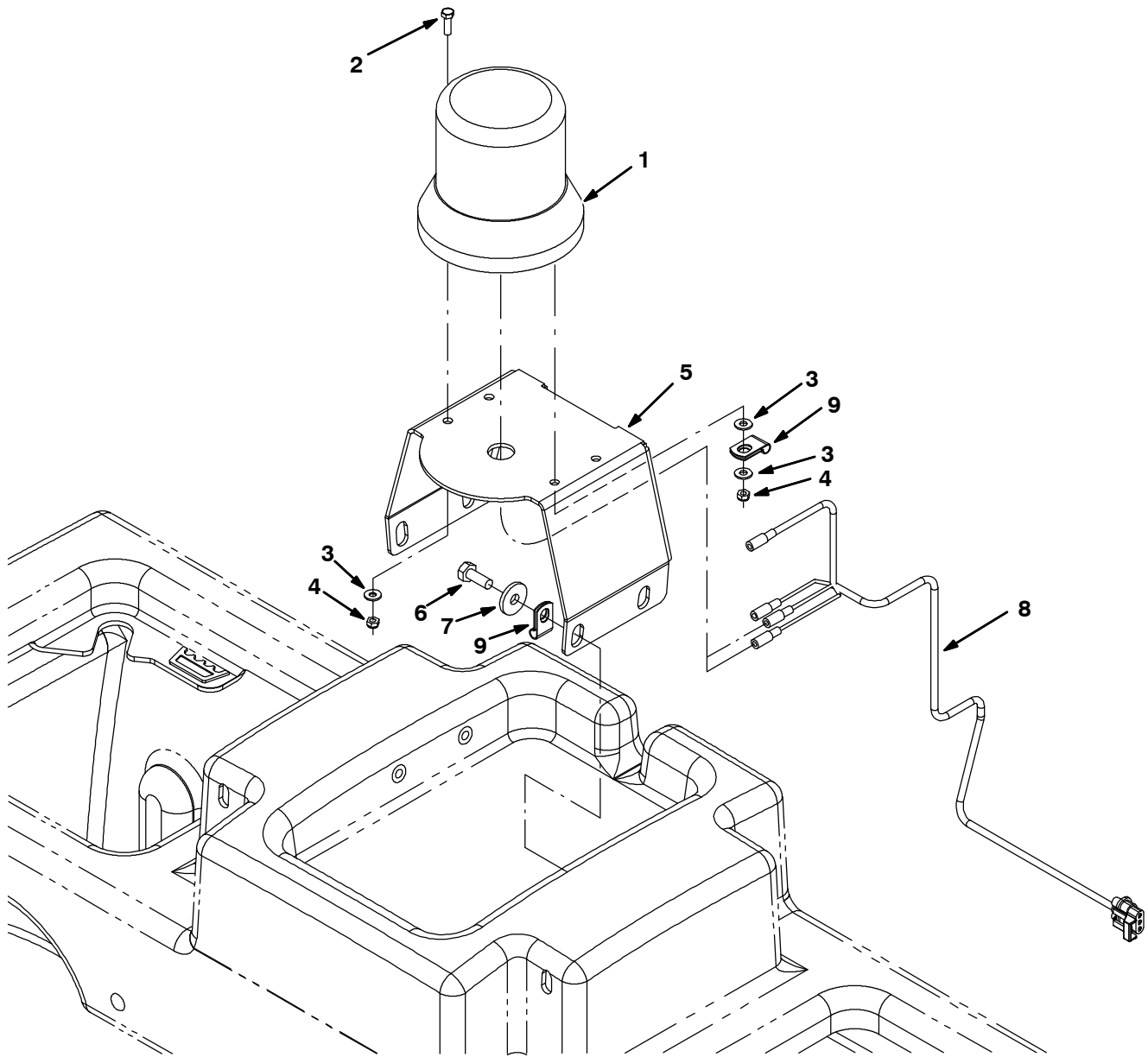
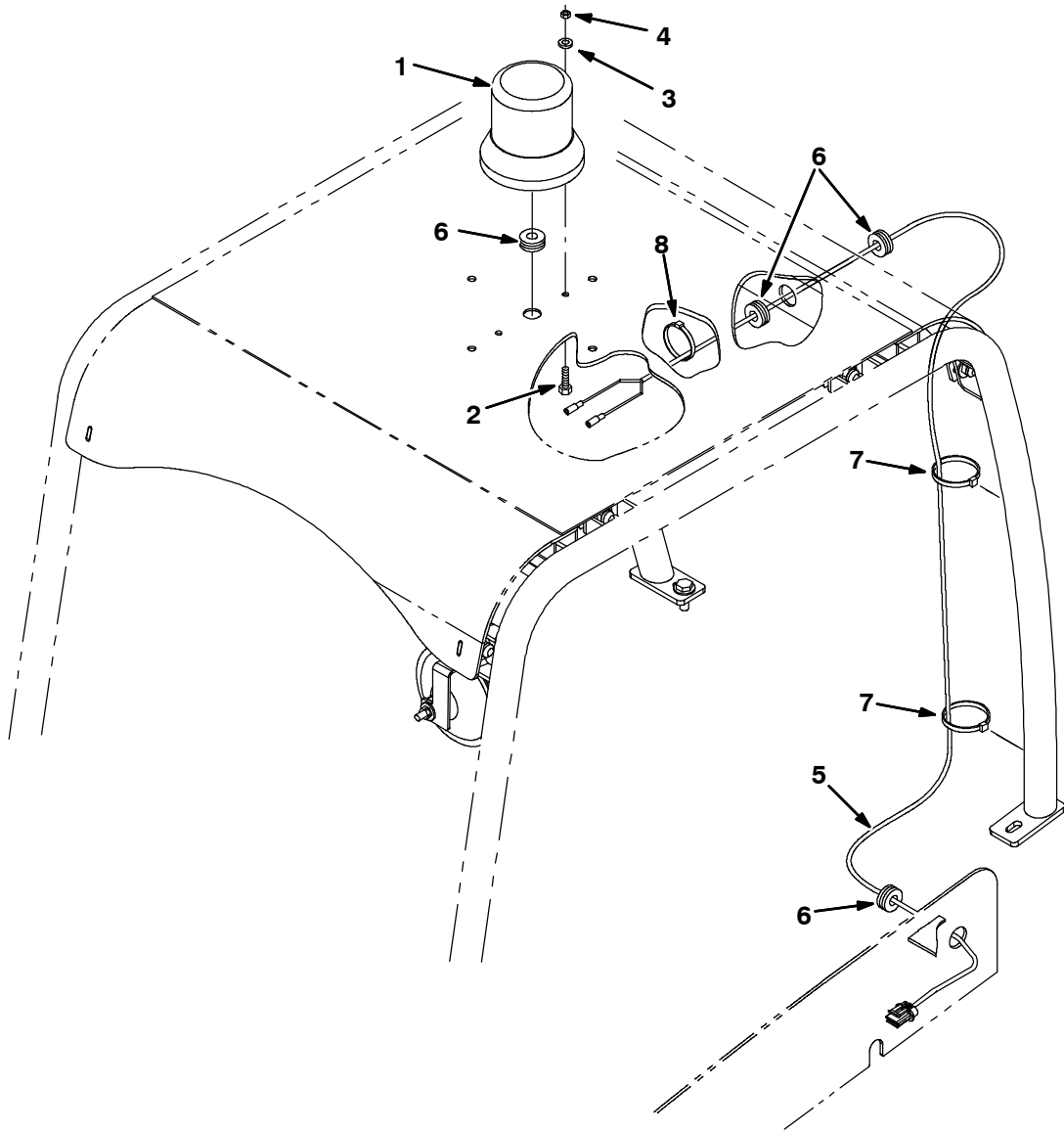


Fig. 31 - Light Kit, Revolving

Ref.	Part No.	Serial Number	Description	Qty.
▽	9001331	(000000-) Light Kit, Revl, Ci [M20 And T20]	1
▲▽	1 1017250	(000000-) Lamp Strobe, Amb [12-48 Vdc]	1
▲▲	9000879	(000000-) Lens, Lamp, Amb, Strobe/Flasher	1
▲▲	9000845	(000000-) Lamp, Bulb, Strobe	1
▲▲	1027800	(000000-) Lens, Blue, Option, F/ Revl / Flsh Light	1
▲▲	1027798	(000000-) Lens, Red, Option, F/ Revl / Flsh Light	1
▲	55272	(000000-) Terminal, Bullet, Mal, .157d, 12ga	2
▲	2 24196	(000000-) Screw, Pan, Phl, M5 X 0.80 X 20, Ss	2
▲	3 19066	(000000-) Washer, Flat, 10	2
▲	4 09739	(000000-) Nut, Hex, Lock, M5 X 0.80, NI, Ss	2
▲	5 1019445	(000000-) Bracket, Sppt, Revl Light	1
▲	6 09740	(000000-) Screw, Hex, M8 X 1.25 X 20, Ss	4
▲	7 1017218	(000000-) Washer, Flat, 0.32b 1.00d .12, Ss	4
▲	8 1019971	(000000-) Harness, Warning / Backup [M20 & T20]	1
▲	9 46236	(000000-) Clamp, Cable, Stl, 0.25D X 0.56W, 1Hole	2

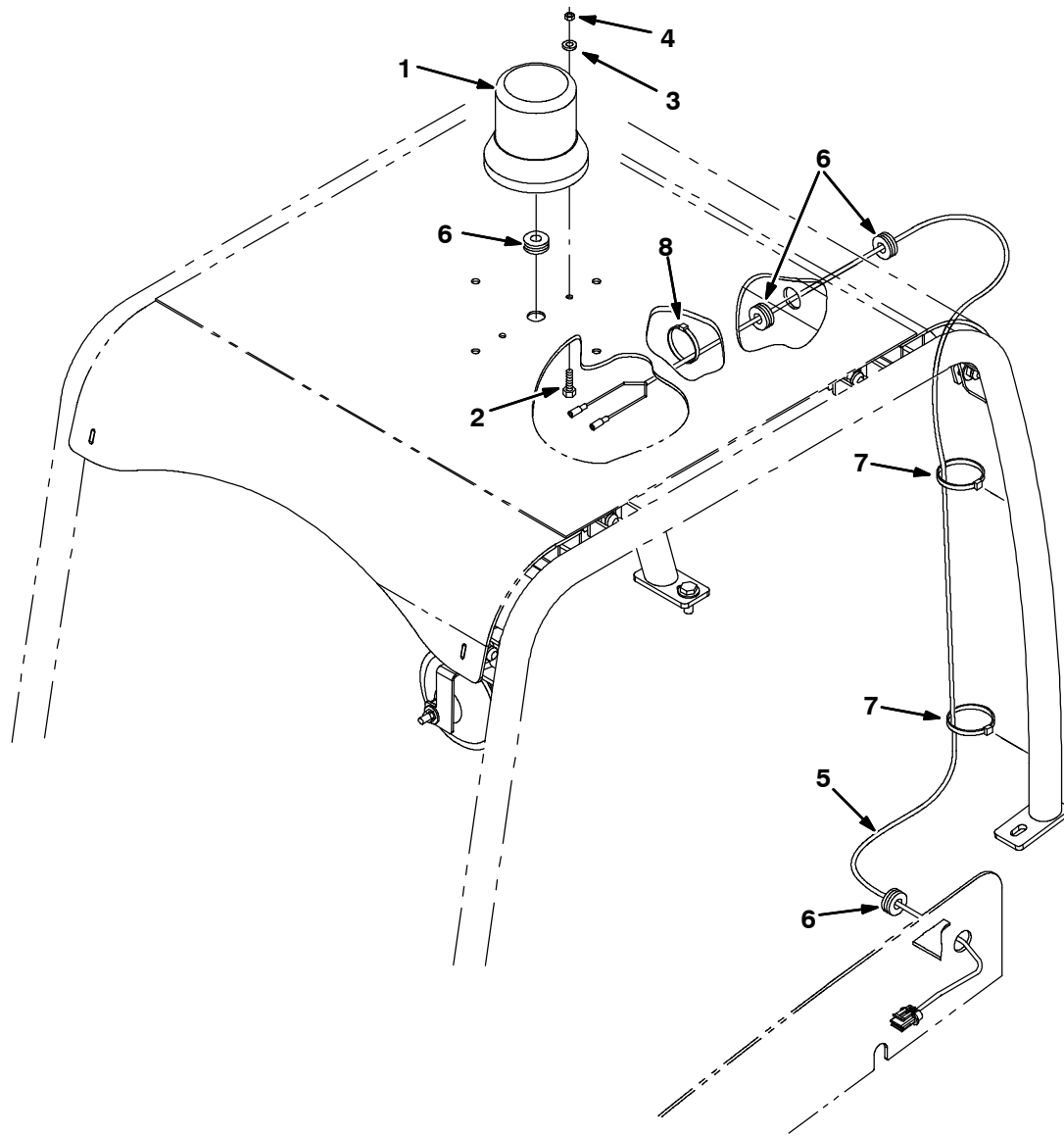
Fig. 32 - Light Kit, Flashing Overhead Guard



354477

Ref.	Part No.	Serial Number	Description	Qty.
▽	9001718	(000000-) Light Kit, Flsh, W/Ohg, Ci[M20 And T20]	1
▲▽	1 1017248	(000000-) Lamp, Flasher, Amb [12-48 Vdc]	1
▲▲	9000879	(000000-) Lens, Lamp, Amb, Strobe/Flasher	1
▲▲	9000846	(000000-) Lamp, Bulb, Flsh	1
▲▲	1027800	(000000-) Lens, Blue, Option, F/ Revl / Flsh Light	1
▲▲	1027798	(000000-) Lens, Red, Option, F/ Revl / Flsh Light	1
▲	55272	(000000-) Terminal, Bullet, Mal, .157d, 12ga	2
▲	2 24196	(000000-) Screw, Pan, Phl, M5 X 0.80 X 20, Ss	2
▲	3 19066	(000000-) Washer, Flat, 10	2
▲	4 09739	(000000-) Nut, Hex, Lock, M5 X 0.80, NI, Ss	2
▲	5 1019647	(000000-) Harness, Warning / Ohg [M20]	1
▲	6 10632-17	(000000-) Grommet, Rbr, 0.50id, F/0.8h, .12 Matl	4
▲	7 763115	(000000-) Tie, Cable, 6.0l, 1.25d Max	4
▲	8 49266	(000000-) Tie, Cable, Nyl, 07.3l .19w 1.8 Max D	2

Fig. 33 - Light Kit, Revolving Overhead Guard



354477

Ref.	Part No.	Serial Number	Description	Qty.
▽	9001717	(000000-) Light Kit, Revl, W/Ohg, Ci [M20 And T20]	1
▲▽	1 1017250	(000000-) Lamp Strobe, Amb [12-48 Vdc]	1
▲▲	9000879	(000000-) Lens, Lamp, Amb, Strobe/Flasher	1
▲▲	9000845	(000000-) Lamp, Bulb, Strobe	1
▲▲	1027800	(000000-) Lens, Blue, Option, F/ Revl / Flsh Light	1
▲▲	1027798	(000000-) Lens, Red, Option, F/ Revl / Flsh Light	1
▲	55272	(000000-) Terminal, Bullet, Mal, .157d, 12ga	2
▲	2 24196	(000000-) Screw, Pan, Phl, M5 X 0.80 X 20, Ss	2
▲	3 19066	(000000-) Washer, Flat, 10	2
▲	4 09739	(000000-) Nut, Hex, Lock, M5 X 0.80, NI, Ss	2
▲	5 1019647	(000000-) Harness, Warning / Ohg [M20]	1
▲	6 10632-17	(000000-) Grommet, Rbr, 0.50id, F/0.8h, .12 Matl	4
▲	7 763115	(000000-) Tie, Cable, 6.0l, 1.25d Max	4
▲	8 49266	(000000-) Tie, Cable, Nyl, 07.3l .19w 1.8 Max D	2

Fig. 34 - Overhead Guard Kit

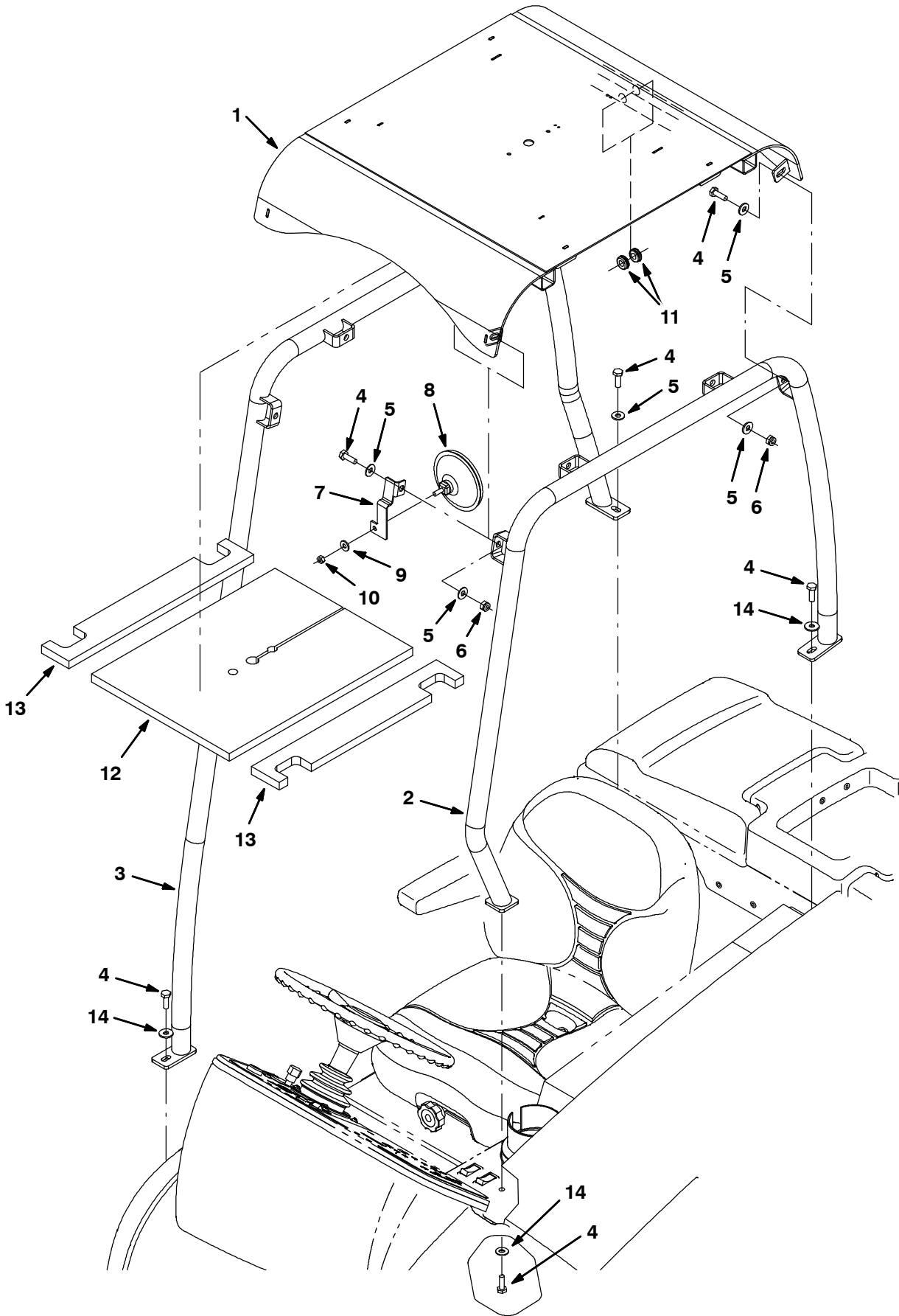


Fig. 34 - Overhead Guard Kit

	Ref.	Part No.	Serial Number	Description	Qty.
▽		9001314	(000000-) Ohg Kit, Ci [M20 And T20]	1
▲	1	1022276	(000000-) Guard Wldt, Top, Ohg	1
▲	2	1022265	(000000-) Tube Wldt, Leg, Ohg, Lh, Pntd	1
▲	3	1022266	(000000-) Tube Wldt, Leg, Ohg, Rh, Pntd	1
▲	4	03192	(000000-) Screw, Hex, M10 X 1.5 X 30, 8.8	12
▲	5	32492	(000000-) Washer, Flat, 0.38 Std	17
▲	6	41430	(000000-) Nut, Hex, Lock, M10 X 1.5, NI	8
▲	7	1023879	(000000-) Bracket, Mtg, Mirror, Rearview	1
▲	8	1050295	(000000-) Mirror, Convex, 0.50D	1
▲	9	32491	(000000-) Washer, Flat, 0.31, Std	1
▲	10	19313	(000000-) Nut, Hex, Std, .31-18	1
▲	11	10632-17	(000000-) Grommet, Rbr, 0.50id, F/0.8h, .12 Matl	2
▲	12	1032830	(000000-) Insulation	1
▲	13	1032831	(000000-) Insulation	2
▲	14	1014563	(000000-) Washer, Flat, 0.40b 1.12d .12, Ss	3

Fig. 35 - Vacuum Wand Kit

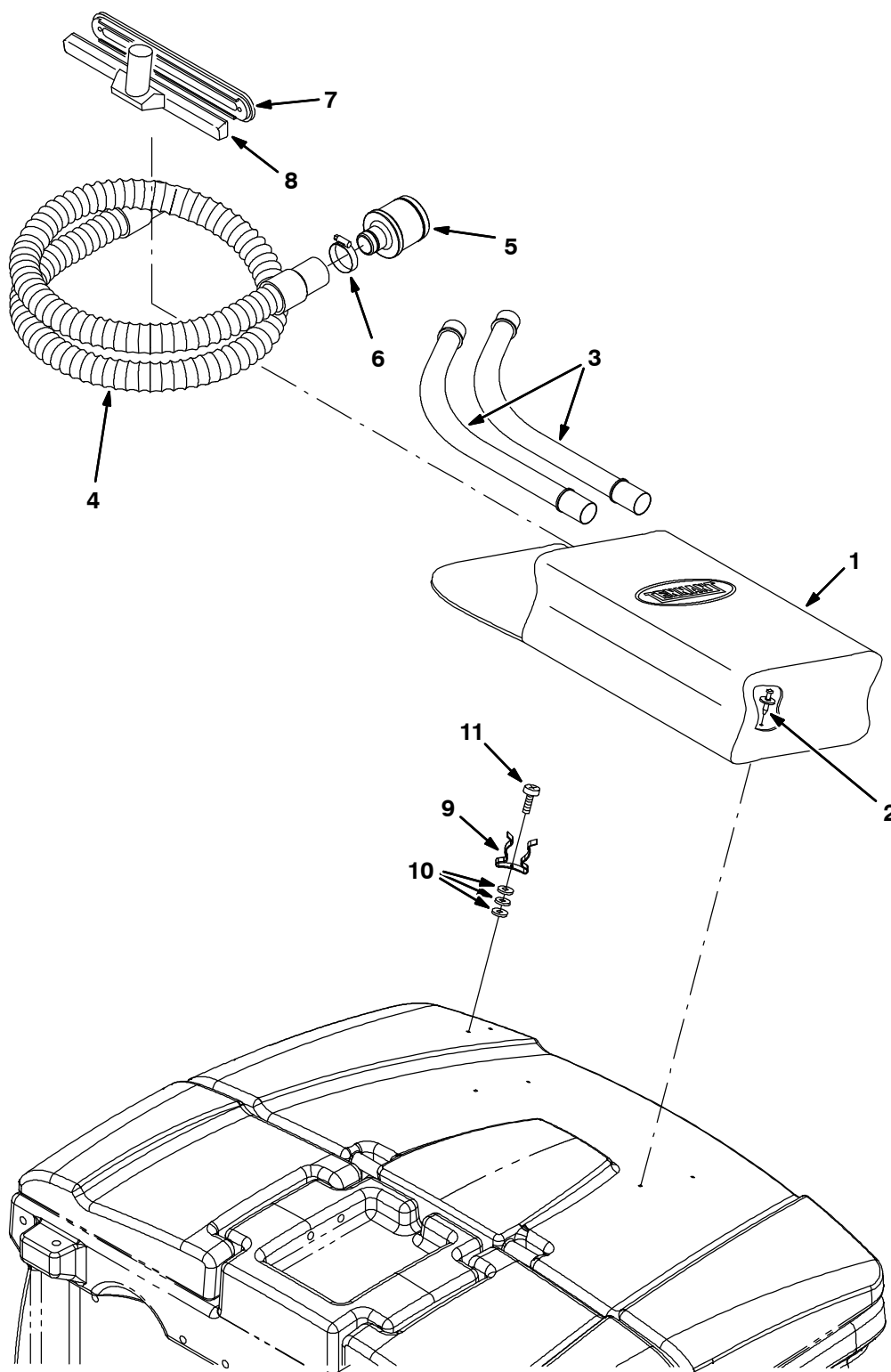


Fig. 35 - Vacuum Wand Kit

	Ref.	Part No.	Serial Number	Description	Qty.
▽		9003134	(000000-) Wand Kit, Vac, Sqge, Ci [T20]	1
▲	1	65580	(000000-) Bag, Power	1
▲	2	72968	(000000-) Rivet, Plstc, .250 X 0.898	4
▲	3	63448	(000000-) Tube, Wand, Vacuum, Metal [1pick=1box]	1
▲	4	86767	(000000-) Hose Assy, W/2cuff, 1.5d 90l 1.5/1.5	1
▲	5	1029396	(000000-) Fitting, Alm, Str, Bm24/Bm48	1
▲	6	79381	(000000-) Clamp, Hose, Wormdrive, 1.25-2.00D, .50W	1
▲	7	63430	(000000-) Shoe, Plstc, Sqge, 14.0	1
▲	8	63451	(000000-) Nozzle, Wand, Plstc, 14.0lg	1
▲	9	67004	(000000-) Clip, Grip, Finger, 1.00-1.88d White,Vyl	2
▲	10	19064	(000000-) Washer, Flat, #06	6
▲	11	55845	(000000-) Screw, Hex, M5 X 0.8 X 16, Fmg	2

Fig. 36 - Power Wand Hose Assembly

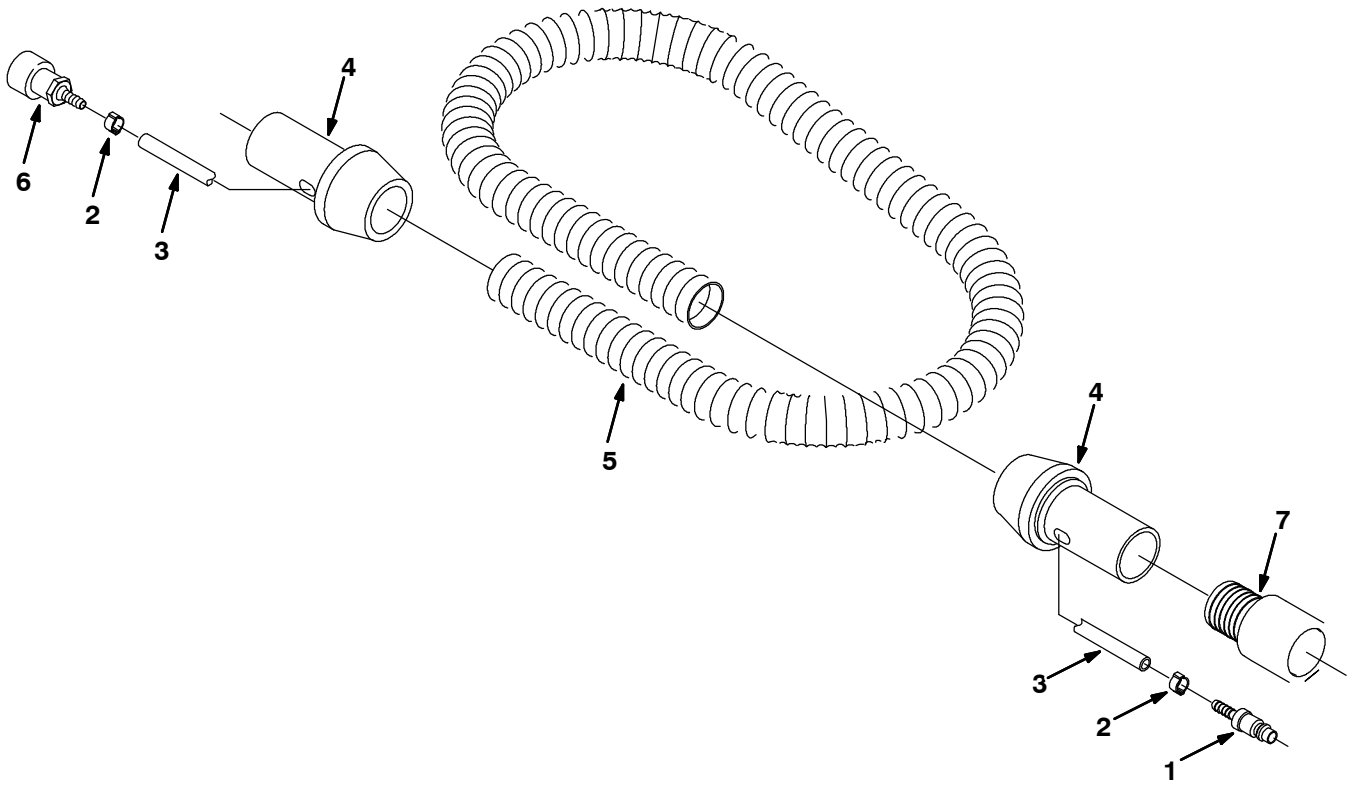


Fig. 36 - Power Wand Hose Assembly

NOTE: Power Wand Kit, Tennant Part Number 9003138, includes; Fig. 36, Fig. 37, and Fig. 38.

NOTE: Power Wand Kit with spray nozzle, Tennant Part Number 9003137, includes; Fig. 36, Fig. 37, and Fig. 39.

	Ref.	Part No.	Serial Number	Description	Qty.
▽		65341	(000000-) Hose Assy, Wand, Power	1
▲	1	578318000	(000000-) Fitting, Stl, Qdc, Bm04	1
▲	2	578160000	(000000-) Clamp, Hose, Ear, 11-13mm, Ss	2
▲	3	578820000	(000000-) Hose, Pvc, Brd, 0.25id 0.44od 157.2l,Clr	1
▲	4	578072000	(000000-) Cuff, Swivel, 1.5 Blk	2
▲	5	578276000	(000000-) Hose, Vacuum, 1.50id X 10ft, Gray	1
▲	6	578071000	(000000-) Fitting, Brs, Qdc, Bm04/Pf04	1
	7	1029396	(000000-) Fitting, Alm, Str, Bm24/Bm48	1

Fig. 37 - Power Wand Assembly

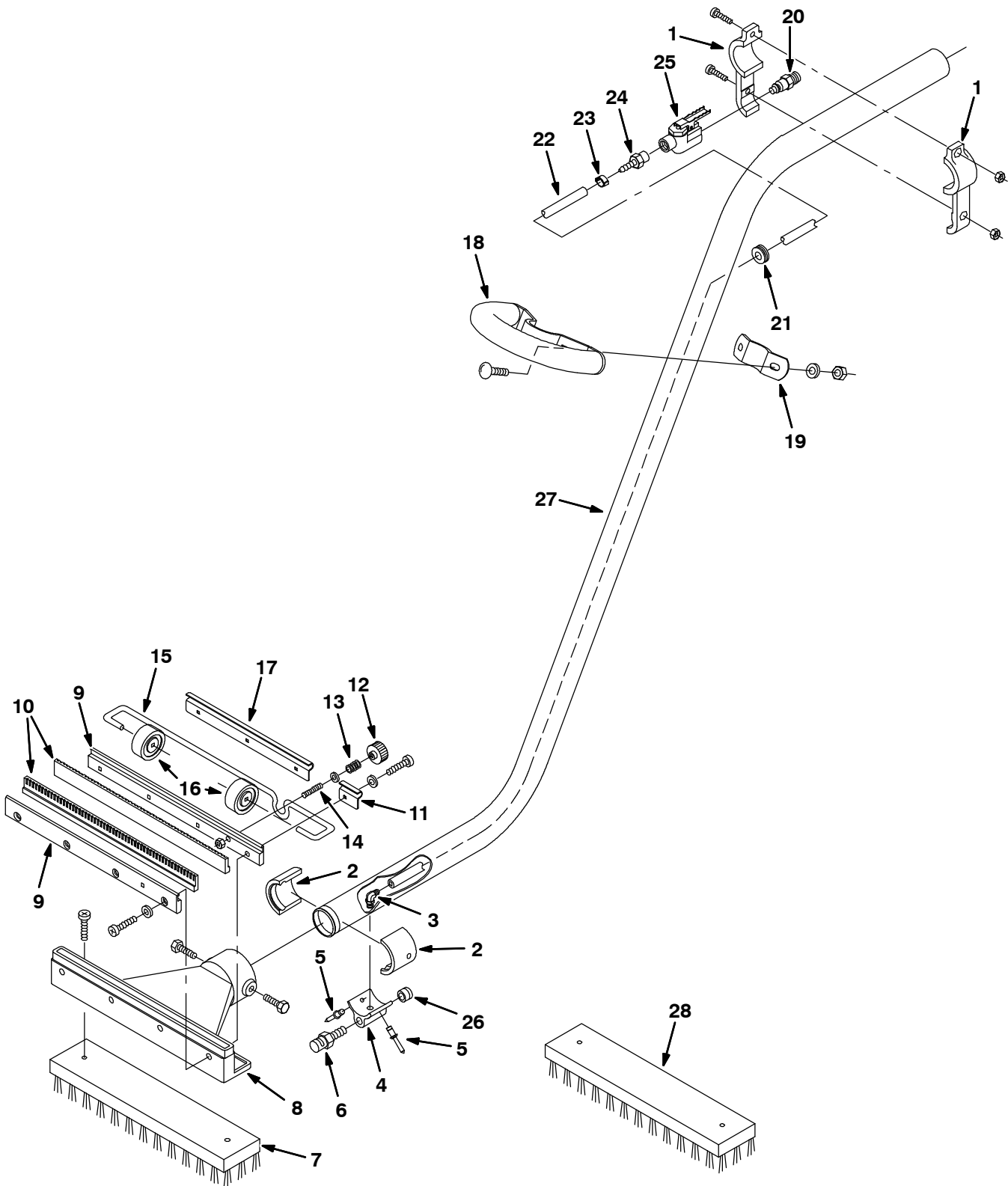


Fig. 37 - Power Wand Assembly

NOTE: Power Wand Kit, Tennant Part Number 9003138, includes; Fig. 36, Fig. 37, and Fig. 38.

NOTE: Power Wand Kit with spray nozzle, Tennant Part Number 9003137, includes; Fig. 36, Fig. 37, and Fig. 39.

Ref.	Part No.	Serial Number	Description	Qty.
▽	65340	(000000-) Wand Assy, Power	1
▲	1 578077000	(000000-) Bracket, Wand, Valve Mtg	1
▲	2 578061000	(000000-) Adapter, Head / Wand [17b/E]	2
▲	3 578214000	(000000-) Fitting, Plstc, E90, Bm04/Pm02	1
▲	4 579112	(000000-) Fitting Spray Nozzle Adapter	1
▲	5 602036000	(000000-) Rivet, Blind [S2500 Drvblock]	2
▲	6 578066000	(000000-) Fitting, Brs, Tip [75, .125k-Jet]	1
▲	7 65610	(000000-) Brush, Power Wand, W/ Fastener, Pyp	1
▲	8 578063000	(000000-) Head, Wand [17b/E]	1
▲	9 578078000	(000000-) Retainer, Sqge, Wand [17b/E]	2
▲	10 578074000	(000000-) Blade, Sqge, 300.8mml, Wand [17b/E, G]	2
▲	11 578124000	(000000-) Bracket, Axle, 1 Hole [17b/E]	1
▲	12 578439	(000000-) Nut, Thumb, M6 X 1.0, 30d	1
▲	13 578228000	(000000-) Spring, Cmpr, 0.40od .04wir 00.6l, Ss	1
▲	14 578143000	(000000-) Screw, Set, M6 X 1.00 X 40, Ss [Cuppt]	1
▲	15 578126000	(000000-) Axle, Wand [17b/E]	1
▲	16 578125000	(000000-) Wheel, 41.3d 19.1w, Rbr	2
▲	17 578123000	(000000-) Bracket, Axle, 3 Hole [17b/E]	1
▲	18 578155000	(000000-) Handle Wldt, Wand	1
▲	19 578154000	(000000-) Bracket, Wand, Handle	1
▲	20 578091000	(000000-) Fitting, Brs, Qdc, Pm04, Plug	1
▲	21 578164000	(000000-) Grommet, 0.38id, F/0.6h, .06 Matl	1
▲	22 578821000	(000000-) Hose, Pyu, 0.25id 0.38od 1220mml, Blk	1
▲	23 578161000	(000000-) Clamp, Hose, Ear, 8-11mm, Ss	2
▲	24 578094000	(000000-) Fitting, Nyl, Str, Bm04/Pm04	1
▲	25 578064000	(000000-) Valve, Cntrl, Water	1
▲	26 150208	(000000-) Fitting, Brs, Str, Pm02, Plug [Skhd]	1
▲	27 578060000	(000000-) Wand, Dbl Bend, 38.1mmd	1
▲	28 65582	(000000-) Brush, Power Wand, W/ Fastener, Abr	1

Fig. 38 - Power Wand Pump and Mount Group

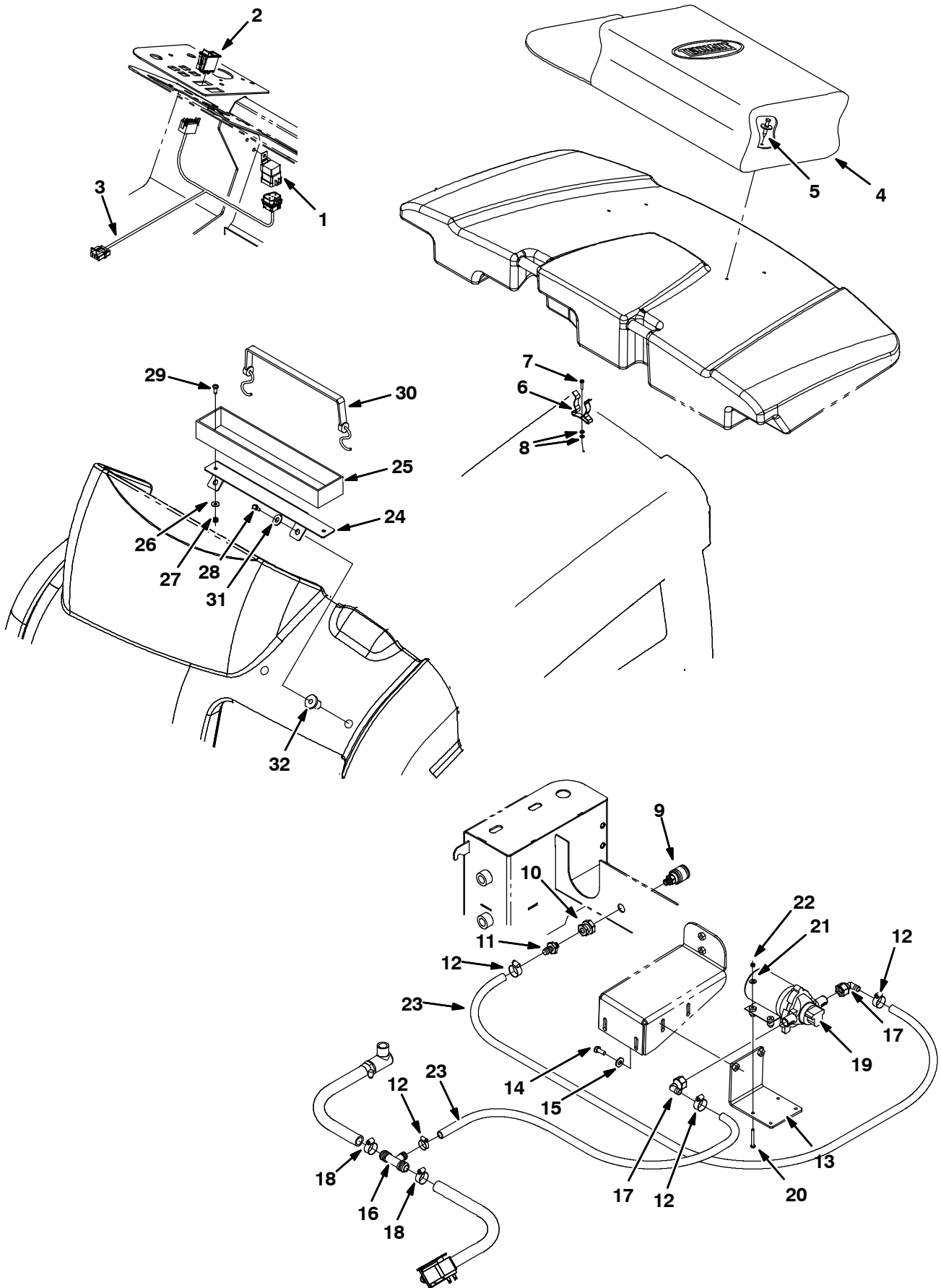


Fig. 38 - Power Wand Pump and Mount Group

NOTE: Power Wand Kit, Tennant Part Number 9003138, includes; Fig. 36, Fig. 37, and Fig. 38.

Ref.	Part No.	Serial Number	Description	Qty.
1	56186	(000000-) Relay, 12vdc, 040a, Spdt No	1
2	398500	(000000-) Switch, Rocker, Dpdt, On / None / On	1
3	1021881	(000000-) Harness, Spray, Nozzle	1
4	65580	(000000-) Bag, Power	1
5	72968	(000000-) Rivet, Plstc, .250d X 0.90	4
6	67004	(000000-) Clip, Grip, Finger, 1.00-1.88d White,Vyl	1
7	09228	(000000-) Screw, Hex, M4 X 0.7 X 20, 8.8	1
8	19064	(000000-) Washer, Flat, #06	2
9	65342	(000000-) Fitting, Brs, Qdc, Pm04/Qf06	1
10	78122	(000000-) Fitting, Brs, Str, Pf04/Pf04, Bh	1
11	48610	(000000-) Fitting, Plstc, Str, Bm08/Pm04	1
12	54333	(000000-) Clamp, Hose, Wormdrive, 0.31-0.88d, .31w	4
13	1023585	(000000-) Bracket, Mtg, Pump	1
14	09740	(000000-) Screw, Hex, M8 X 1.25 X 20, Ss	2
15	32491	(000000-) Washer, Flat, 0.31, Std	2
16	385644	(000000-) Fitting, Plstc, Tee, Bm08/Bm12/Bm12, Br	1
17	1018499	(000000-) Fitting, Plstc, E90, Bm08/Pf08s, Swivel	2
18	63810	(000000-) Clamp, Hose, Wormdrive, 0.56-1.06d, .56w	2
19	1026743	(000000-) Pump, Diaphragm	1
20	06939	(000000-) Screw, Pan, M5 X 0.80 X 45, 4.8	4
21	19066	(000000-) Washer, Flat, #10	4
22	06549	(000000-) Nut, Hex, Lock, M5 X 0.80, NI	4
23	1011837	(000000-) Hose, Afmkt, Pvc, Brd, 0.50id, 12ft, Clr	1
24	1030407	(000000-) Bracket, Mtg, Wand	1
25	61212	(000000-) Tray	1
26	01684	(000000-) Washer,Flat 0.25, Ss	2
27	08712	(000000-) Nut, Hex, Lock, M6 X 1.00, Ss, NI	2
28	21198	(000000-) Screw, Hex, .38-16 X 1.25, G5	2
29	367770	(000000-) Screw, Pan, M6 X 1.0 X 16, Ss	2
30	57769	(000000-) Strap, Rbr, 13.2l [2/S Hooks]	1
31	32492	(000000-) Washer, Flat, 0.38, Std	2
32	397648	(000000-) Nut, Isolator, .38-16 Wall Th .015-.437	2

Fig. 39 - Power Wand Pump and Mount Group with Spray Nozzle

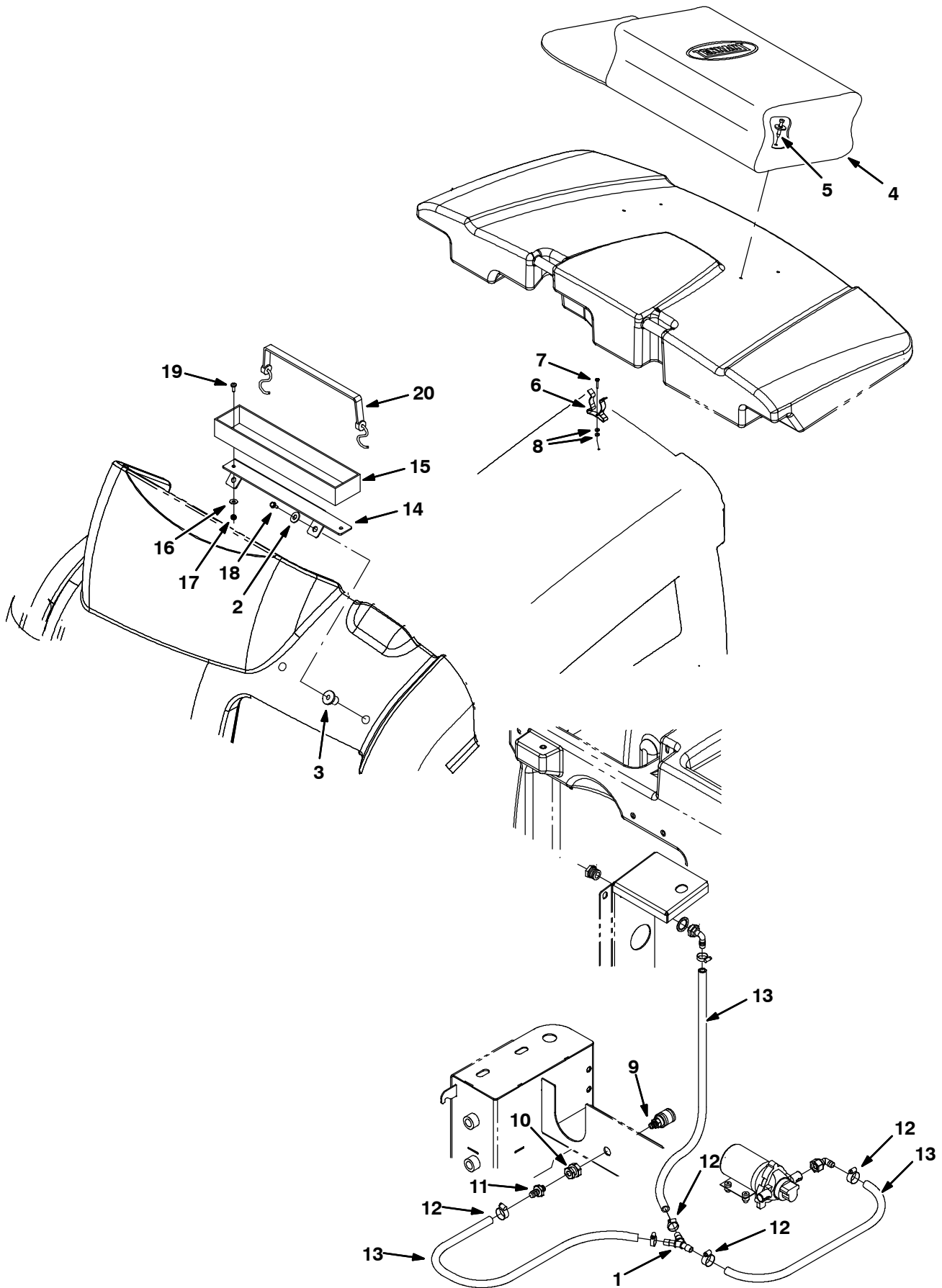


Fig. 39 - Power Wand Pump and Mount Group with Spray Nozzle

NOTE: Power Wand Kit with spray nozzle, Tennant Part Number 9003137, includes; Fig. 36, Fig. 37, and Fig. 39.

Ref.	Part No.	Serial Number	Description	Qty.
1	1010668	(000000-) Fitting, Plstc, Y, Bm08/Bm08/Bm08, Nyl	1
2	32492	(000000-) Washer, Flat, 0.38, Std	2
3	397648	(000000-) Nut, Isolator, .38-16 Wall Th .015-.437	2
4	65580	(000000-) Bag, Power	1
5	72968	(000000-) Rivet, Plstc, .250d X 0.90	4
6	67004	(000000-) Clip, Grip, Finger, 1.00-1.88d White,Vyl	1
7	09228	(000000-) Screw, Hex, M4 X 0.7 X 20, 8.8	1
8	19064	(000000-) Washer, Flat, #06	2
9	65342	(000000-) Fitting, Brs, Qdc, Pm04/Qf06	1
10	78122	(000000-) Fitting, Brs, Str, Pf04/Pf04, Bh	1
11	48610	(000000-) Fitting, Plstc, Str, Bm08/Pm04	1
12	54333	(000000-) Clamp, Hose, Wormdrive, 0.31-0.88d, .31w	4
13	1011837	(000000-) Hose, Afmkt, Pvc, Brd, 0.50id, 12ft, Clr	1
14	1030407	(000000-) Bracket, Mtg, Wand	1
15	61212	(000000-) Tray	1
16	01684	(000000-) Washer,Flat 0.25, Ss	2
17	08712	(000000-) Nut, Hex, Lock, M6 X 1.00, Ss, NI	2
18	21198	(000000-) Screw, Hex, .38-16 X 1.25, G5	2
19	367770	(000000-) Screw, Pan, M6 X 1.0 X 16, Ss	2
20	57769	(000000-) Strap, Rbr, 13.2l [2/S Hooks]	1

Fig. 40 - Spray Nozzle Kit

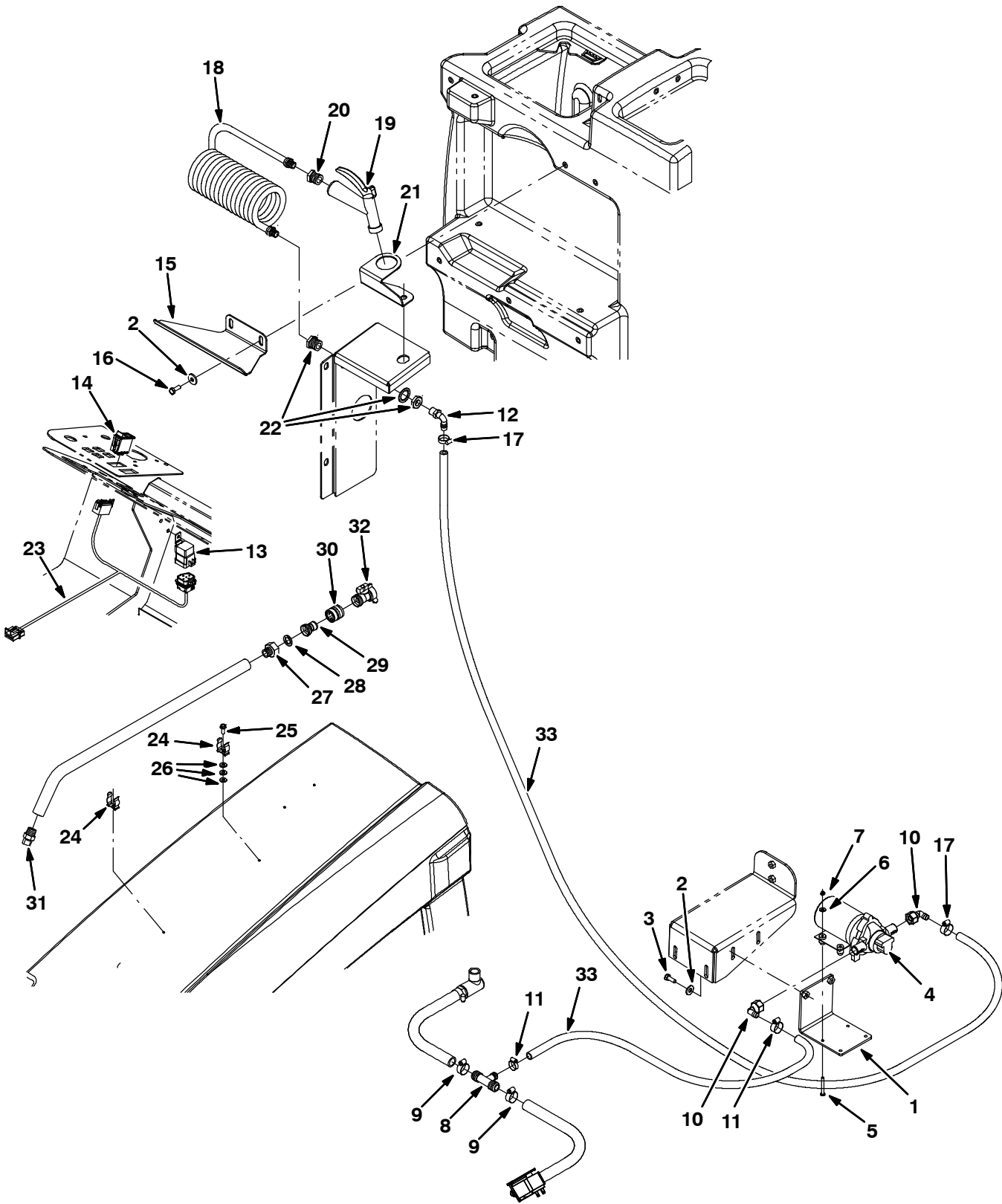


Fig. 40 - Spray Nozzle Kit

Ref.	Part No.	Serial Number	Description	Qty.
▽	9003139	(000000-) Nozzle kit, Spray, Ci [T20]	1
▲	1 1023585	(000000-) Bracket, Mtg, Pump	1
▲	2 32491	(000000-) Washer, Flat, 0.31, Std	2
▲	3 09740	(000000-) Screw, Hex, M8 X 1.25 X 20, Ss	4
▲	4 1026743	(000000-) Pump, Diaphragm	1
▲	5 06939	(000000-) Screw, Pan, M5 X 0.80 X 45, 4.8	4
▲	6 19066	(000000-) Washer, Flat, #10	4
▲	7 06549	(000000-) Nut, Hex, Lock, M5 X 0.80, NI	4
▲	8 385644	(000000-) Fitting, Plstc, Tee, Bm08/Bm12/Bm12, Br	1
▲	9 63810	(000000-) Clamp, Hose, Wormdrive, 0.56-1.06d, .56w	2
▲	10 1018499	(000000-) Fitting, Plstc, E90, Bm08/Pf08s, Swivel	1
▲	11 54333	(000000-) Clamp, Hose, Wormdrive, 0.31-0.88d, .31w	2
▲	12 64778	(000000-) Fitting, Plstc, E90, Bm08/Pm06	1
▲	13 56186	(000000-) Relay, 12vdc, 040a, Spdt No	1
▲	14 398500	(000000-) Switch, Rocker, Dpdt, On / None / On	1
▲	15 1029790	(000000-) Bracket, Mtg, Spray Wand [Fast, Conv]	1
▲	16 1017218	(000000-) Washer, Flat, 0.32b 1.00d .12, Ss	2
▲	17 63810	(000000-) Clamp, Hose, Wormdrive, 0.56-1.06d, .56w	2
▲	18 1019250	(000000-) Hose, Water, Coil, 0.38id 0.56od	1
▲	19 769785	(000000-) Nozzle, Spray, Gun	1
▲	20 1027976	(000000-) Fitting, Brs, Str, Pf06/Pm12	1
▲	21 1027237	(000000-) Bracket, Mtg, Spray Handle	1
▲	22 1027978	(000000-) Fitting, Brs, Str, Pf06/Pf06 Bh	1
▲	23 1021881	(000000-) Harness, Spray, Nozzle	1
▲	24 1029057	(000000-) Clip, Grip, Finger, .875-1.25	2
▲	25 20394	(000000-) Screw, Hex, #10-16 X 0.62, Fmg [Ab]	2
▲	26 01683	(000000-) Washer, Flat, #10, Ss	6
▲	27 375321	(000000-) Fitting, Brs, Str, Pm08/Garden Hose	1
▲	28 01316	(000000-) Washer, Flat, 0.66b 1.00d .12, Rbr	1
▲	29 1029153	(000000-) Fitting, Brs, Spcl [Garden Hose]	1
▲	30 1029155	(000000-) Coupling, Nozzle, Spray	1
▲	31 1029156	(000000-) Nozzle	1
▲	32 1029399	(000000-) Valve, Shutoff	1
▲	33 1011837	(000000-) Hose, Afmkt, Pvc, Brd, 0.50id, 12ft, Clr	1

Fig. 41 - Spray Nozzle Kit with Power Wand

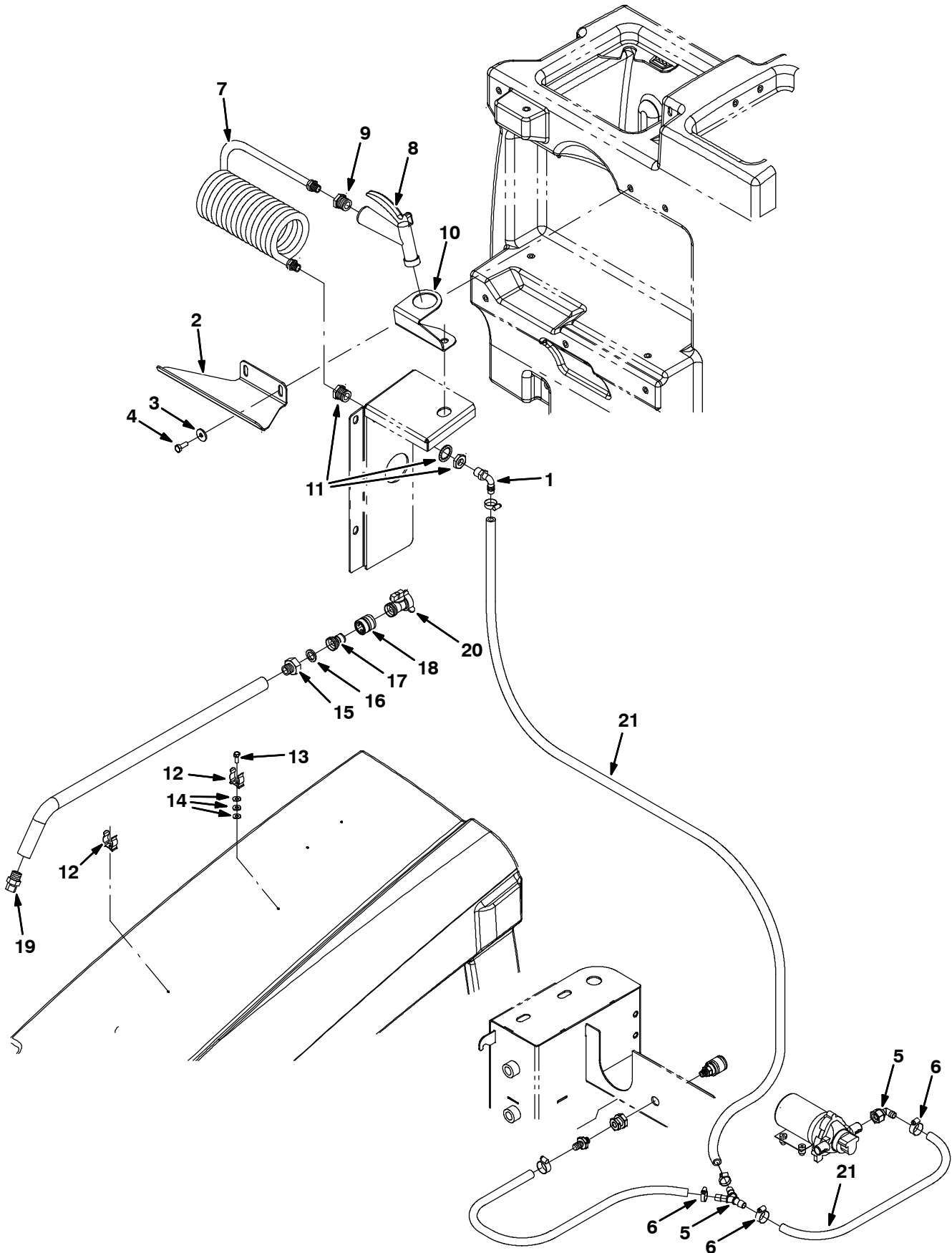


Fig. 41 - Spray Nozzle Kit with Power Wand

Ref.	Part No.	Serial Number	Description	Qty.
▽	9003282	(000000-) Nozzle Kit, Spray, W/Pwr Wand, Ci [T20]	1
▲	1 64778	(000000-) Fitting, Plstc, E90, Bm08/Pm06	1
▲	2 1029790	(000000-) Bracket, Mtg, Spray Wand [Fast, Conv]	1
▲	3 1017218	(000000-) Washer, Flat, 0.32b 1.00d .12, Ss	2
▲	4 09740	(000000-) Screw, Hex, M8 X 1.25 X 20, Ss	2
▲	5 1010668	(000000-) Fitting, Plstc, Y, Bm08/Bm08/Bm08, Nyl	1
▲	6 63810	(000000-) Clamp, Hose, Wormdrive, 0.56-1.06d, .56w	2
▲	7 1019250	(000000-) Hose, Water, Coil, 0.38id 0.56od	1
▲	8 769785	(000000-) Nozzle, Spray, Gun	1
▲	9 1027976	(000000-) Fitting, Brs, Str, Pf06/Pm12	1
▲	10 1027237	(000000-) Bracket, Mtg, Spray Handle	1
▲	11 1027978	(000000-) Fitting, Brs, Str, Pf06/Pf06 Bh	1
▲	12 1029057	(000000-) Clip, Grip, Finger, .875-1.25	2
▲	13 20394	(000000-) Screw, Hex, #10-16 X 0.62, Fmg [Ab]	2
▲	14 01683	(000000-) Washer, Flat, #10, Ss	6
▲	15 375321	(000000-) Fitting, Brs, Str, Pm08/Garden Hose	1
▲	16 01316	(000000-) Washer, Flat, 0.66b 1.00d .12, Rbr	1
▲	17 1029153	(000000-) Fitting, Brs, Spcl [Garden Hose]	1
▲	18 1029155	(000000-) Coupling, Nozzle, Spray	1
▲	19 1029156	(000000-) Nozzle	1
▲	20 1029399	(000000-) Valve, Shutoff	1
▲	21 1011837	(000000-) Hose, Afmkt, Pvc, Brd, 0.50id, 12ft, Clr	1

Fig. 42 - Transport Kit

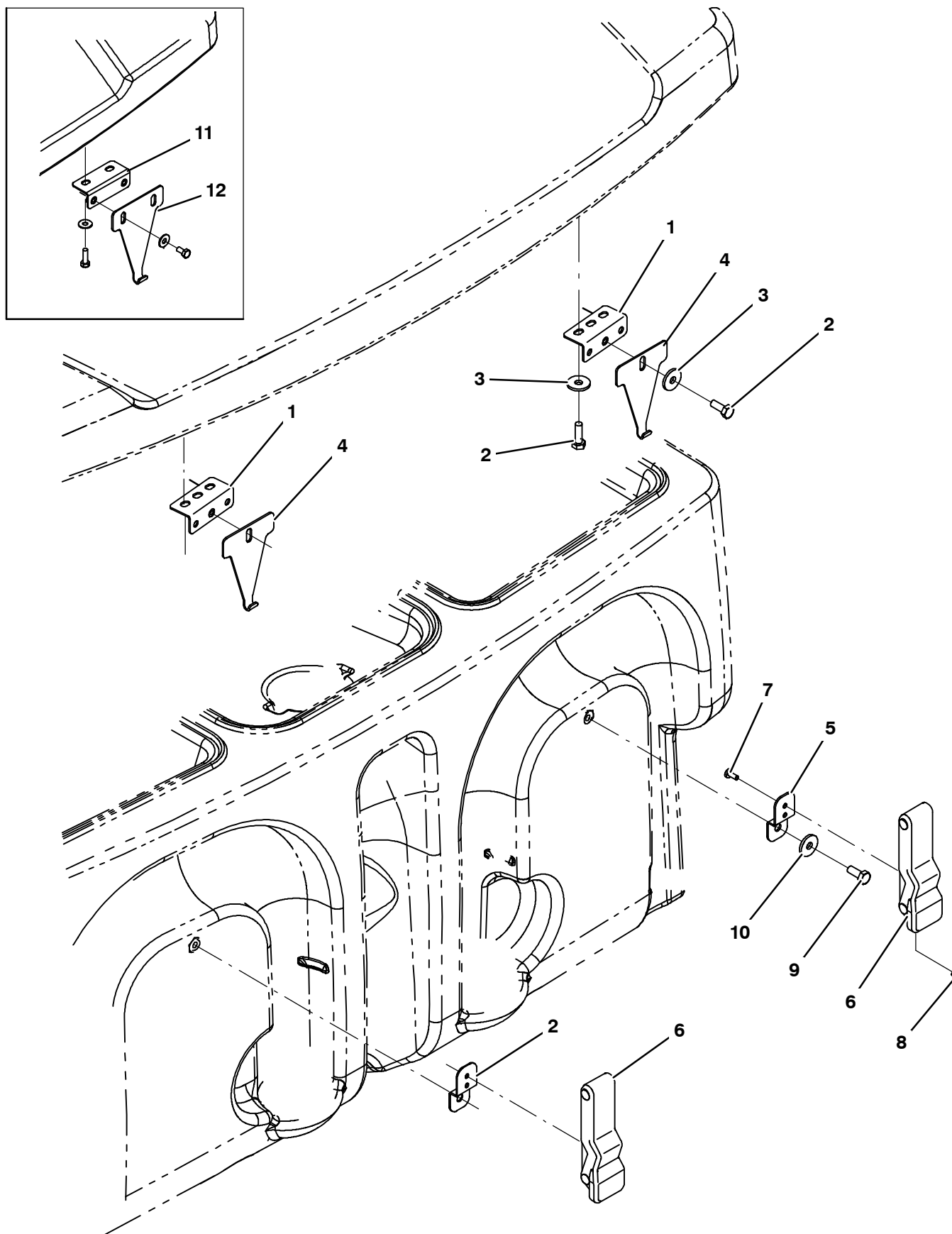


Fig. 42 - Transport Kit

	Ref.	Part No.	Serial Number	Description	Qty.
▽		9003143	(000000-) Transport Kit, Ci [T20]	1
▲	1	1040800	(001717-) Bracket, Latch, Cover	2
▲	2	09744	(000000-) Screw, Hex, M6 X 1.0 X 12, Ss	4
▲	3	01684	(000000-) Washer, Flat, 0.25, Ss	4
▲	4	1040633	(001717-) Plate, Hook, Latch	2
▲	5	1020526	(000000-) Bracket, Retaining, Hose	2
▲	6	360824	(000000-) Latch	2
▲	7	09200	(000000-) Screw, Pan, M5 X 0.8 X 12, Ss	4
▲	8	09739	(000000-) Nut, Hex, Lock, M5 X 0.80, NI, Ss	4
▲	9	393135	(000000-) Screw, Btn, M8 X 1.25 X 20, Blk	2
▲	10	32491	(000000-) Washer, Flat, 0.31, Std	2
	11	1032869	(000000-001716) Bracket, Latch, Cover	2
	12	1032884	(000000-001716) Plate, Hook, Latch	2

Fig. 43 - Squeegee Guard Kit

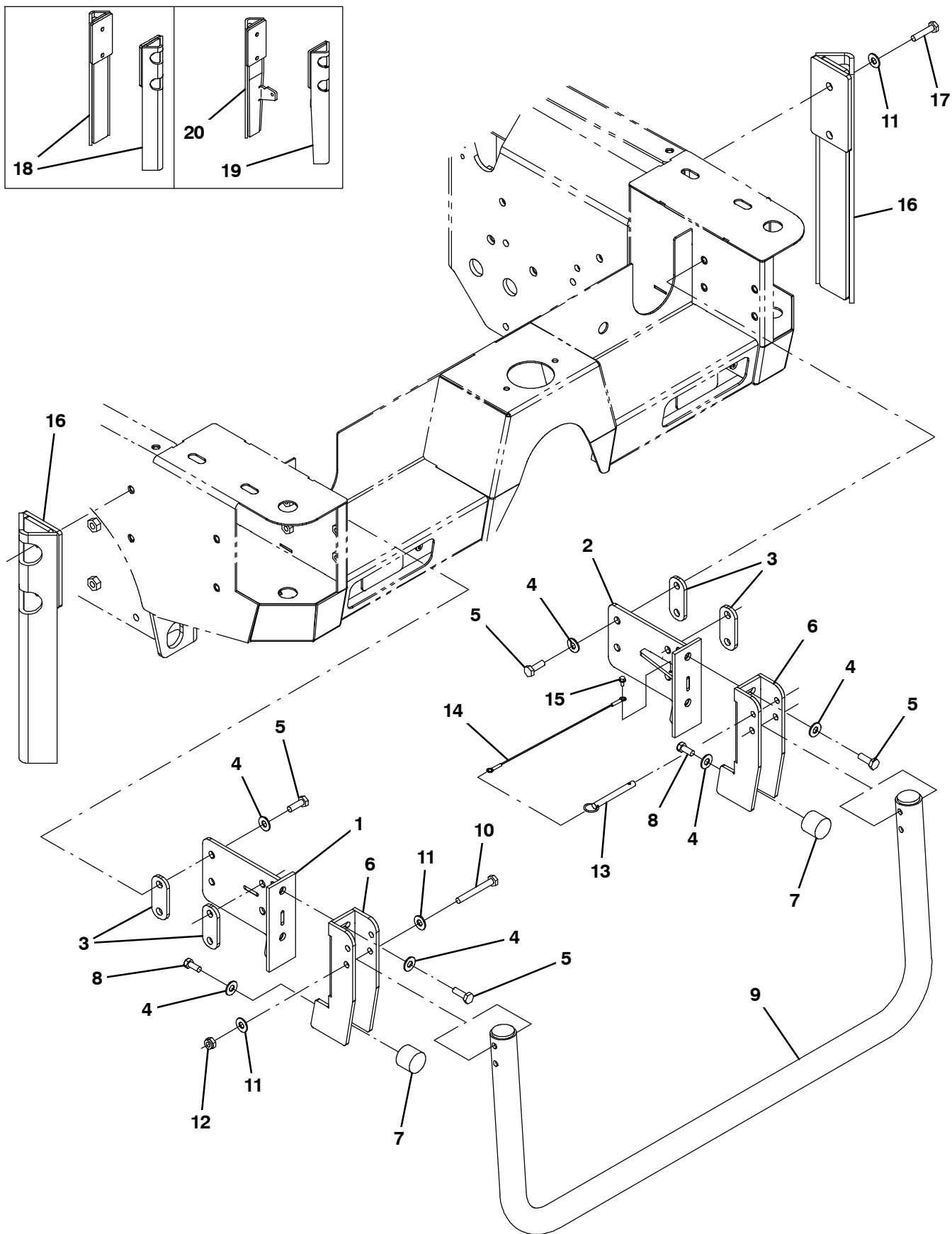
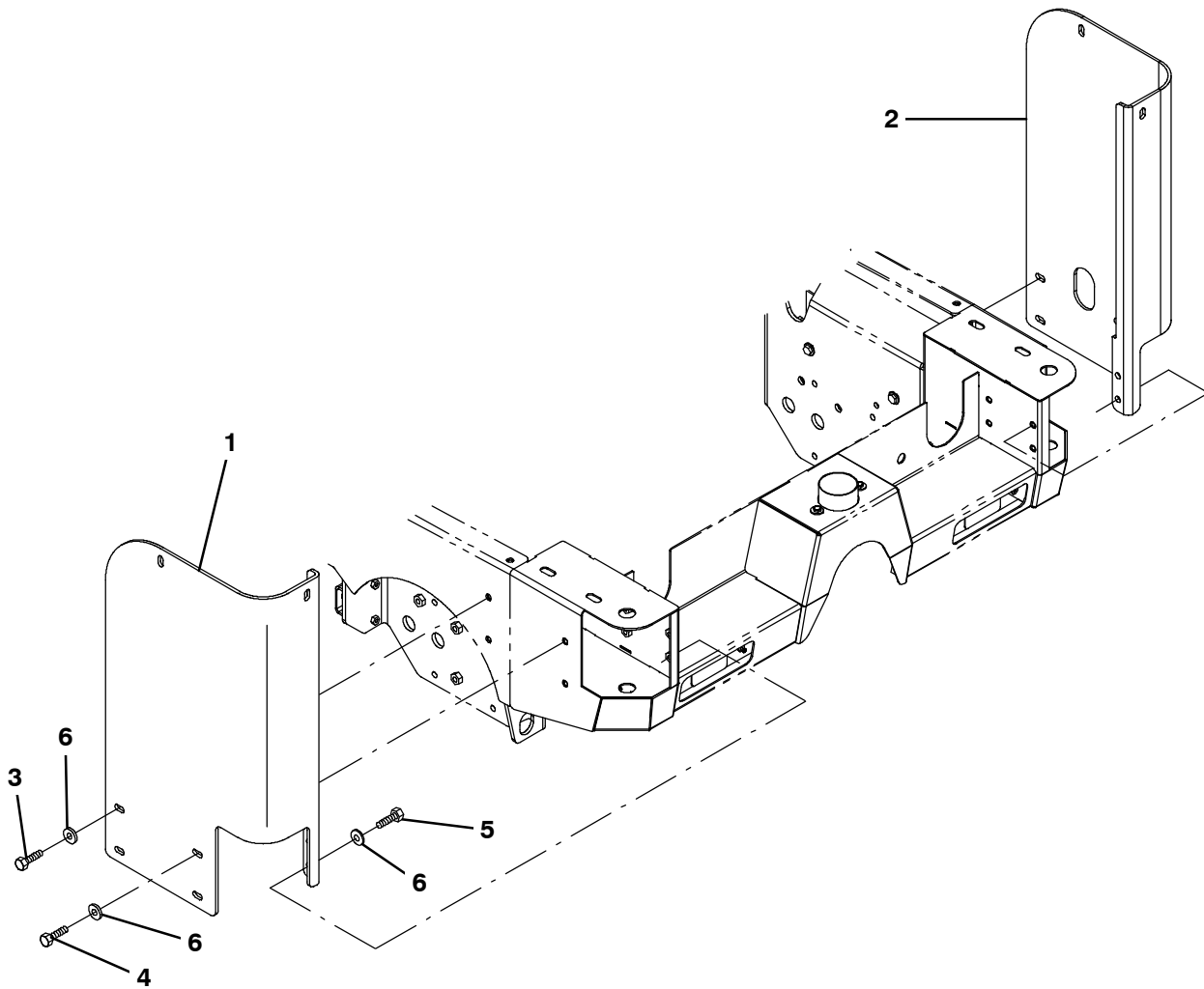


Fig. 43 - Squeegee Guard Kit

Ref.	Part No.	Serial Number	Description	Qty.
▽	9003135	(000000-) Guard Kit, Sqge, Ci [T20]	1
▲	1 1030557	(000000-) Support Wldt, Sqge, Lh Rear	1
▲	2 1030503	(000000-) Support Wldt, Sqge, Rh Rear	1
▲	3 1030522	(000000-) Link, .25 1.4w 3.2l 2/.5h	4
▲	4 01686	(000000-) Washer, Flat, 0.44b 1.00d .08, Ss	14
▲	5 12317	(000000-) Screw, Hex, M10 X 1.5 X 30, Ss	12
▲	6 1030515	(000000-) Channel Wldt, Guard, Sqge	1
▲	7 1024977	(000000-) Bumper, Ure, 1.50d 1.25l	2
▲	8 21196	(000000-) Screw, Hex, .38-16 X 0.88, G5	2
▲	9 1056195	(000000-) Guard Wldt, Pntd [M20/T20]	1
▲	10 06965	(000000-) Screw, Hex, M10 X 1.5 X 80, 8.8	2
▲	11 32492	(000000-) Washer, Flat, 0.38, Std	8
▲	12 41430	(000000-) Nut, Hex, Lock, M10 X 1.5, NI	2
▲	13 369359	(000000-) Pin, Hitch, .375d X 3.12l, PI	1
▲	14 57702	(000000-) Cable, Glv .06d 012.0l .26eye /.26eye	1
▲	15 223198	(000000-) Screw, Hex, M5 X 0.8 X 10, Fmg	1
▲	16 1045444	(xxxxxx-) Guard Wldt, Sqge [M20/T20/M30]	2
▲	17 06962	(000000-) Screw, Hex, M10 X 1.5 X 45, 8.8	4
▲	18 1025663	(000000-001689) Guard Wldt, Sqge Rep.BY1039069	2
▲	19 1040863	(001690-xxxxxx) Guard Wldt, Sqge [M20/T20 LH, M30 RH]	1
▲	20 1040871	(001690-xxxxxx) Guard Wldt, Sqge [M20/T20 RH, M30 LH]	1

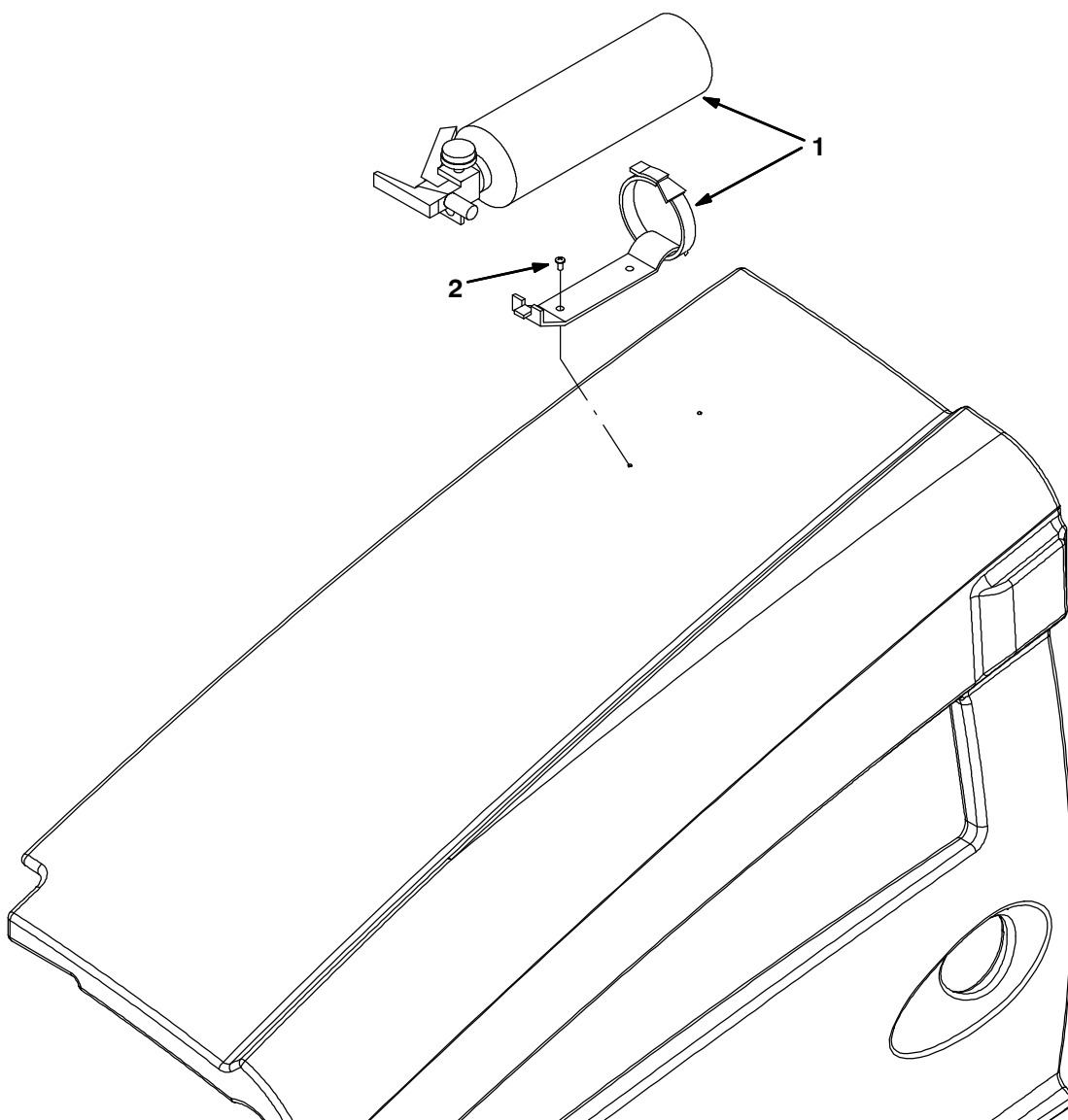
Fig. 44 - Heavy Duty Bumper Kit



354537

Ref.	Part No.	Serial Number	Description	Qty.
▽	9003142	(000000-) Bumper Kit, Hd, Ci [T20]	1
▲	1 1027850	(000000-) Plate, Bmpr, Lh	1
▲	2 1027588	(000000-) Plate, Bmpr, Rh	1
▲	3 06962	(000000-) Screw, Hex, M10 X 1.50 X 45, 8.8	4
▲	4 09028	(000000-) Screw, Hex, M10 X 1.50 X 25, Ss	4
▲	4 03192	(000000-) Screw, Hex, M10 X 1.50 X 30, 8.8	4
▲	4 32492	(000000-) Washer, Flat, 0.38, Std	12

Fig. 45 - Fire Extinguisher Kit



354484

Ref.	Part No.	Serial Number	Description	Qty.
	9001316	(000000-) Extinguisher Kit, Fire, Ci [M20 And T20]	1
1	25312	(000000-) Extinguisher, Fire, 2.5 Lb Dry	1
2	382320	(000000-) Screw, Pan, #12-16 X 0.50, F/ Plstc	2

Fig. 46 - Documentation Group

Ref.	Part No.	Serial Number	Description	Qty.
	331470	(000000-) Manual, Oprtr [T20 Gas/Lpg En]	1
	331472	(000000-) Manual, Oprtr [T20 Gas/Lpg Es]	1
	331473	(000000-) Manual, Oprtr [T20 Gas/Lpg Fr]	1
	331471	(000000-) Manual, Parts [T20 Gas/Lpg En/Jp]	1
	331475	(000000-) Manual, Service [T20 En]	1
	1035133	(000000-) Video, Oprtr, Dvd [W/Checklist T20]	1
	372863	(000000-001499) Manual, Service, Eng[Gm1.6l Em Cert]	1
	371790	(000000-001499) Manual, Service, Eng [Gm1.6l]	1
	1037749	(000000-) Instr, Maint, Wall Chart [T20]	1
	9003926	(001500-) Manual, Eng, Cd-Rom [Tier II,GM1.6L]	1
	9006257	(000000-) Media, Cd-Rom, Training [ec-H2O Tennant]	1

SECTION 4

Contents	Page
Fig. 1 - Extended Scrub Pump Breakdown, 1021210	4-2
Fig. 2 - Hydraulic Motor Breakdown, 379609 ...	4-4
Fig. 3 - Hydraulic Pump Breakdown, 1024251 .	4-6
Fig. 4 - Hydraulic Motor Breakdown, 71729	4-8
Fig. 5 - Hydraulic Motor Breakdown, 1029379 .	4-9
Fig. 6 - Hydraulic Motor Breakdown, 53485 ...	4-10
Fig. 7 - Hydraulic Motor Breakdown, 1024407	4-11
Fig. 8 - Hydraulic Valve Breakdown, 1018938 .	4-12
Fig. 9 - Hydraulic Valve Breakdown, 1020394 .	4-14
Fig. 10 - Hydraulic Valve Breakdown, 1037805 .	4-16
Fig. 11 - Hydraulic Steering Valve Breakdown, 1024260	4-18
Fig. 12 - Metering Solution Pump Breakdown, 73260	4-20
Fig. 13 - Water Pump Breakdown, 1026743 ...	4-21
Fig. 14 - ec-H2O Module Assembly Breakdown, 9007882	4-22
Fig. 15 - FaST Injector Assembly Breakdown, 9004515	4-24

Fig. 1 - Extended Scrub Pump Breakdown, 1021210

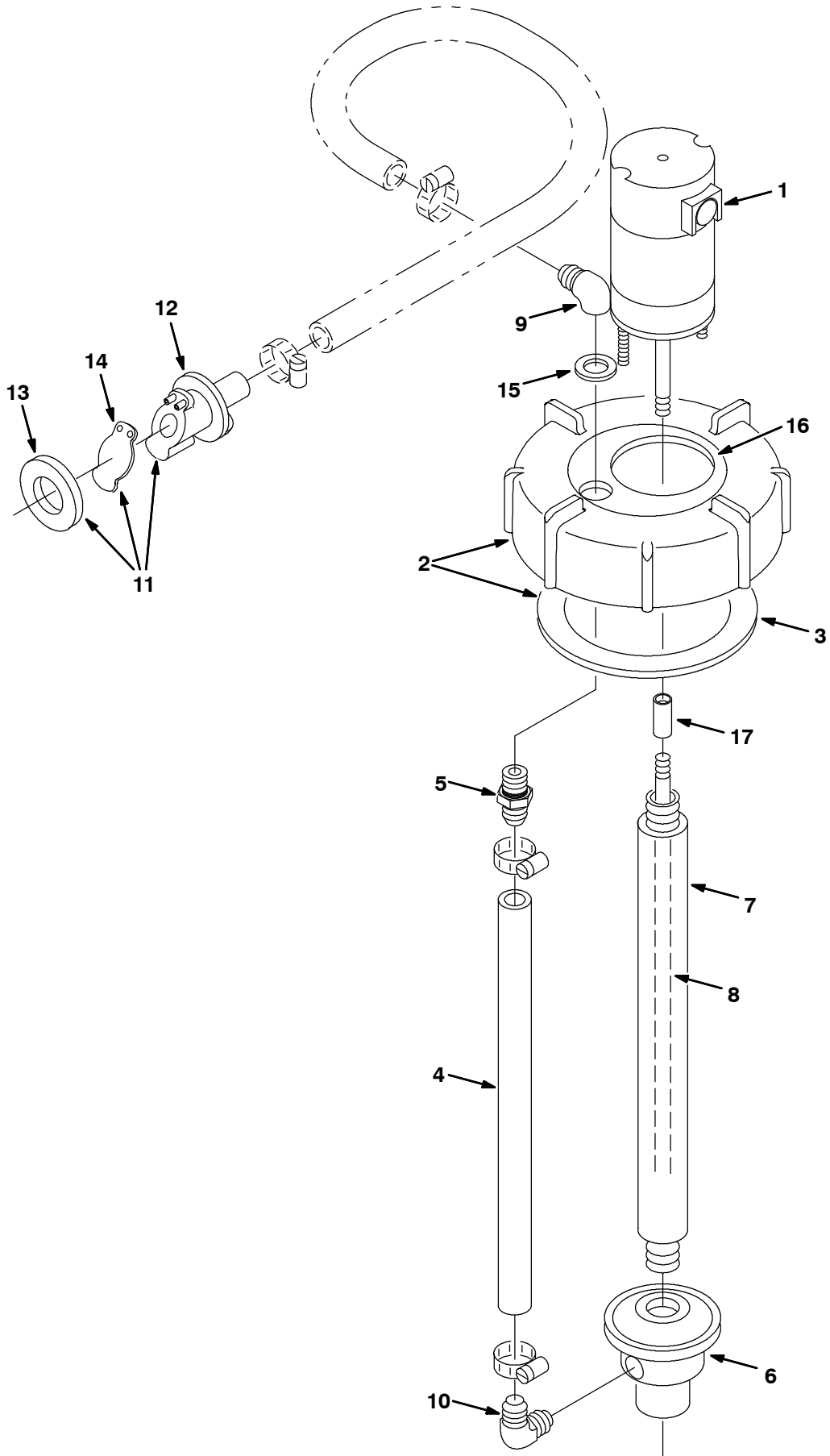


Fig. 1 - Extended Scrub Pump Breakdown, 1021210

	Ref.	Part No.	Serial Number	Description	Qty.
▽		1021210	(000000-) Pump Assy, Column, Es	1
▲▽	1	9002708	(000000-) Motor, Ele, 12vdc, Pump, Water	1
▲▲		78829	(000000-) Kit, Brush, Motor, Ele	1
▲▽	2	24358	(000000-) Cap Assy, Tank, Drain	1
▲▲	3	1031699	(000000-) Gasket, 4.05Id 5.29Od .19 [Buna]	1
▲	4	78833	(000000-) Tube, Vinyl, Pump, Water	1
▲	5	78398	(000000-) Fitting, Plstc, Str, Bm12/Pm08, Nyl	1
▲	6	78843	(000000-) Housing Kit, Pump, Water	1
▲	7	78836	(000000-) Column, Pump, Water	1
▲	8	9002709	(000000-) Shaft, Pump, Water	1
▲	9	78838	(000000-) Fitting, E, Gr	1
▲	10	78839	(000000-) Fitting, Plstc, E90, Pf Bm [Es Pump]	1
▲▽	11	78842	(000000-) Kit, Valve, Check, Pump, Water	1
▲▲	12	78840	(000000-) Valve, Check, Pump, Water	1
▲▲	13	73342	(000000-) Gasket, .25 1.88d 1.0Id [Poron]	1
▲▲	14	78841	(000000-) Flapper, Valve, Pump, Water	1
▲	15	78830	(000000-) Washer, Rbr	1
▲	16	22790	(000000-) Insert, Cap, Mount, Es Pump	1
▲	17	23285	(000000-) Sleeve, Pump, Water	1

Fig. 2 - Hydraulic Motor Breakdown, 379609

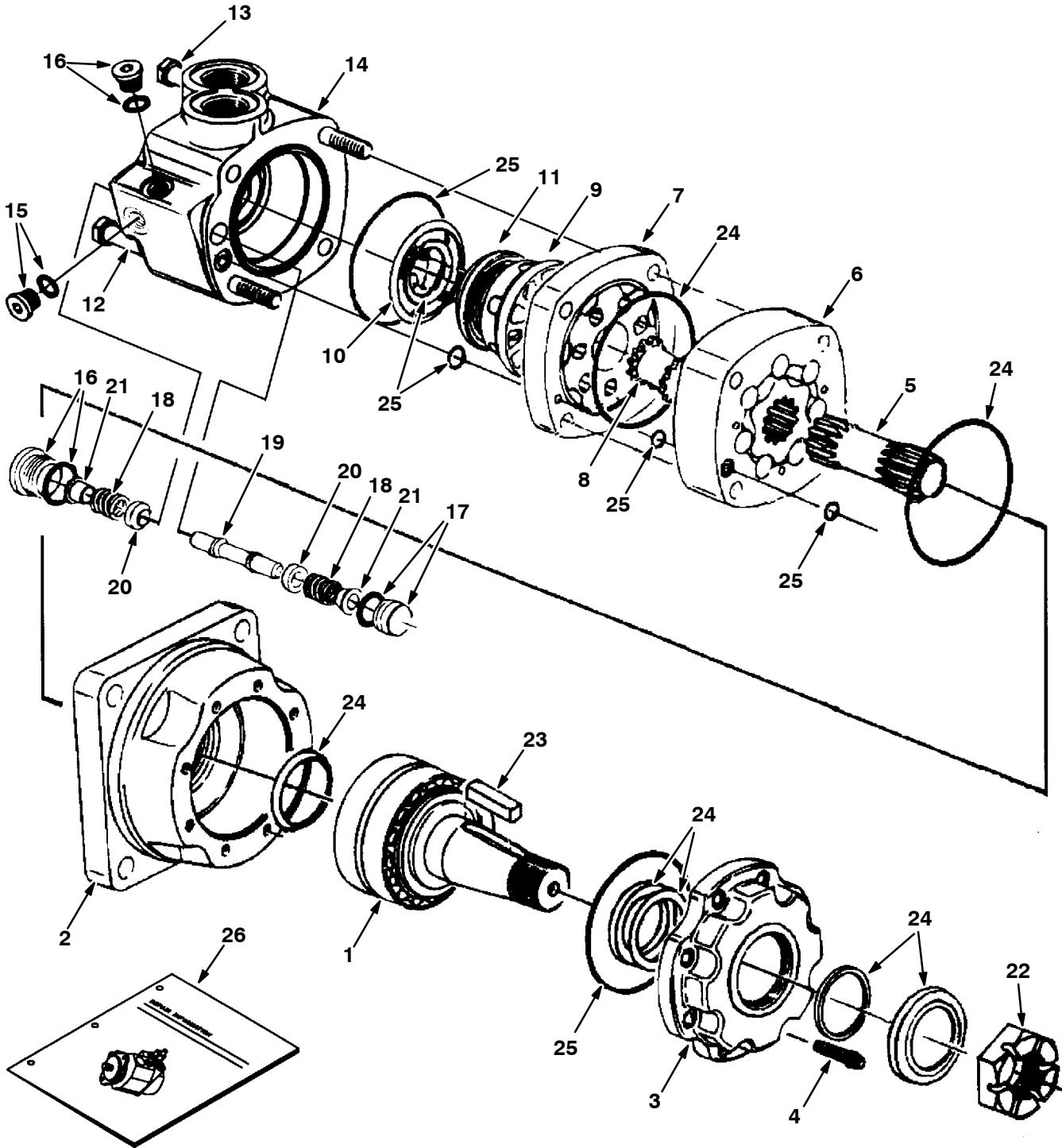


Fig. 2 - Hydraulic Motor Breakdown, 379609

Ref.	Part No.	Serial Number	Description	Qty.
▽	379609	(000000-) Motor, Hyd, Gear, [Int], 19.0 X 3000	1
▲	1 74165	(000000-) Shaft, Motor, Hyd	1
▲	2 74166	(000000-) Housing, Brg, Motor, Hyd	1
▲	3 74167	(000000-) Retainer, Motor, Hyd	1
▲	4 74168	(000000-) Screw, Cap, Motor, Hyd	8
▲	5 37616	(000000-) Drive, Motor, Hyd	1
▲	6 37756	(000000-) Geroler, Motor, Hyd	1
▲	7 74122	(000000-) Plate, Valve, Motor, Hyd	1
▲	8 52405	(000000-) Valve, Motor, Hyd	1
▲	9 74123	(000000-) Valve, Motor, Hyd	1
▲	10 34178	(000000-) Spring, Motor, Hyd	2
▲	11 38968	(000000-) Ring, Motor, Hyd	1
▲	12 74125	(000000-) Bolt, Motor, Hyd	3
▲	13 38255	(000000-) Bolt, Motor, Hyd	1
▲	14 373297	(000000-) Housing, Valve	1
▲	15 373298	(000000-) Plug	1
▲	16 373260	(000000-) Plug, Pump, Hyd, Gear	2
▲	17 373299	(000000-) Plug	1
▲	18 373291	(000000-) Spring	2
▲	19 373217	(000000-) Piston, Pump, Hyd, Gear	1
▲	20 373226	(000000-) Poppet, Pump, Hyd, Gear	2
▲	21 373236	(000000-) Sleeve, Dashpo, Pump, Hyd, Gear	2
▲	22 45622	(000000-) Nut, Motor, Hyd	1
▲	23 45623	(000000-) Key, Motor, Hyd	1
▲	24 79828	(000000-) Kit, Seal, Motor, Hyd	1
▲	25 33580	(000000-) Kit, Seal, Motor, Hyd	1
	26 79729	(000000-) Instr, Repair, Motor, Hyd, Gear	1

Fig. 3 - Hydraulic Pump Breakdown, 1024251

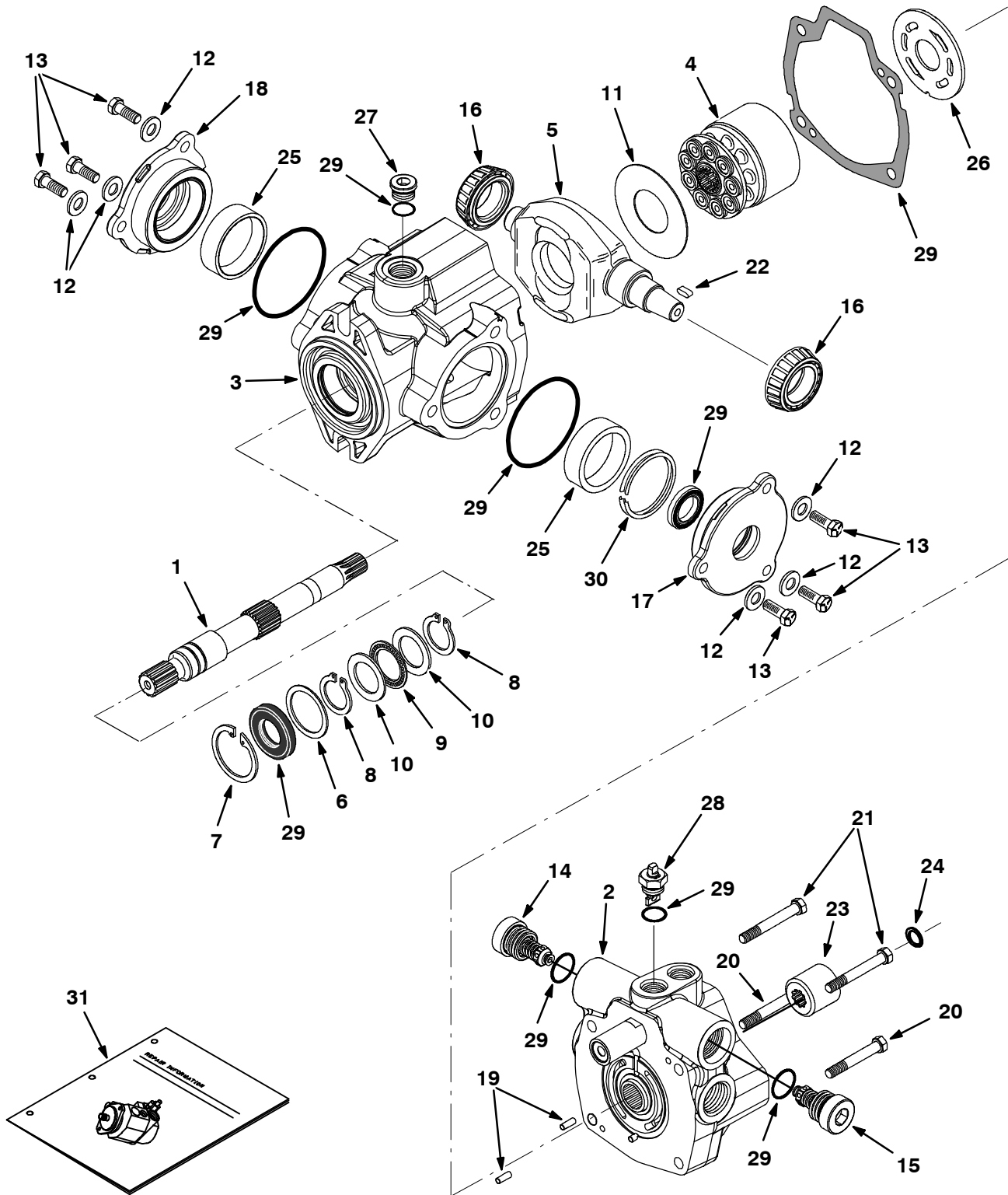
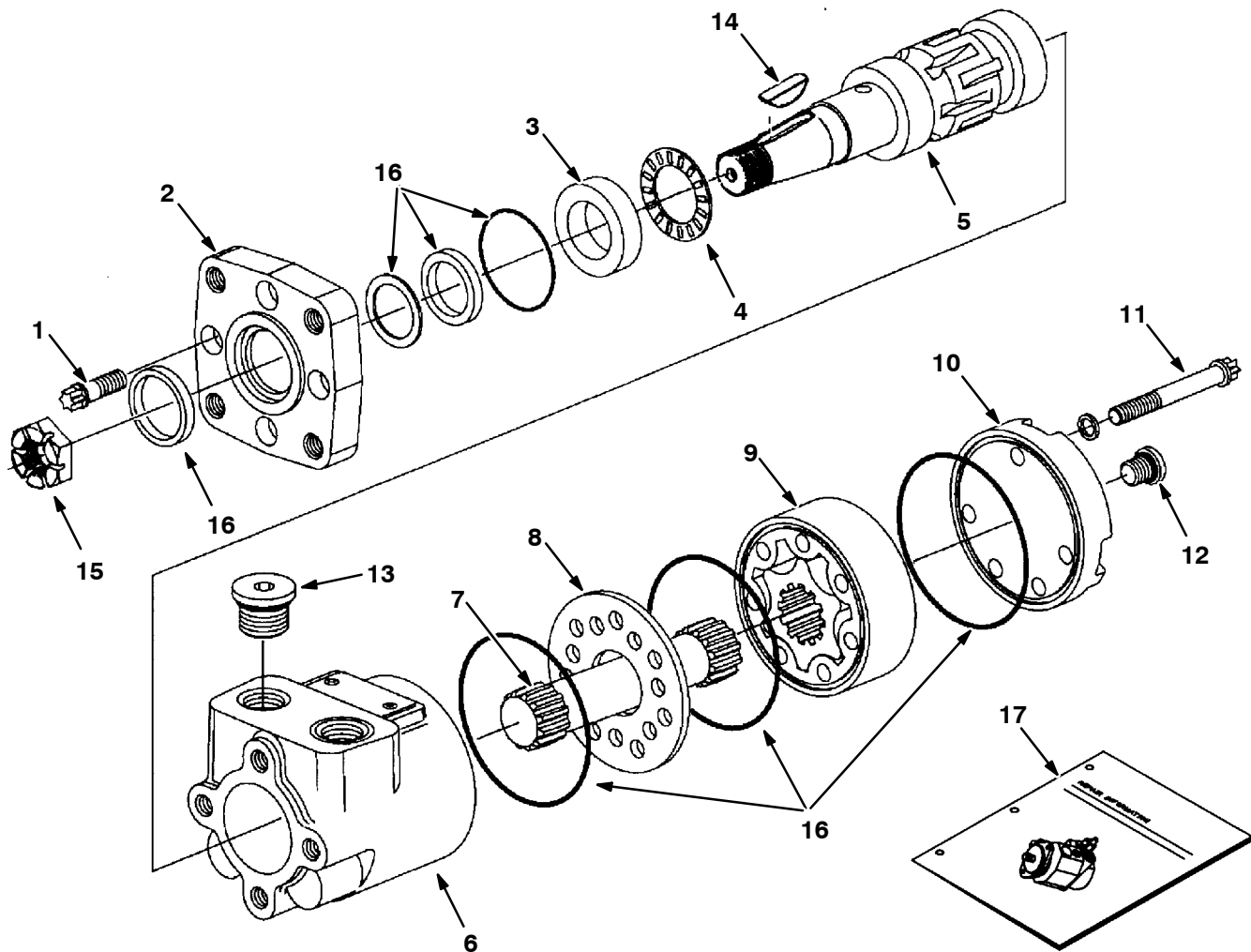


Fig. 3 - Hydraulic Pump Breakdown, 1024251

Ref.	Part No.	Serial Number	Description	Qty.	
▽	1024251	(000000-) Pump, Hyd, Piston, Var, 1.24 4000, Cw	1	
▲	1	373681	(000000-) Shaft, Pump	1
▲	2	373427	(000000-) Cover, End	1
▲	3	373389	(000000-) Housing	1
▲	4	02706	(000000-) Pump Kit, Hyd, Rotating [Cessna]	1
▲	5	373493	(000000-) Plate, Cam	1
▲	6	70096	(000000-) Washer, Flat, Pump, Hyd	1
▲	7	55926	(000000-) Ring, Retaining, Pump, Hyd	1
▲	8	373434	(000000-) Ring, Retaining	2
▲	9	74225	(000000-) Bearing, Thrust, Pump, Hyd	1
▲	10	74226	(000000-) Race, Brg, Pump, Hyd	2
▲	11	373327	(000000-) Insert, Plt, Cam, Pump, Hyd	1
▲	12	373391	(000000-) Washer, Pump, Hyd [En]	6
▲	13	373346	(000000-) Screw, Cap	6
▲	14	373494	(000000-) Valve, Relief, 4000 Psi	1
▲	15	373678	(000000-) Valve, Relief, 3000 Psi	1
▲	16	373317	(000000-) Bearing, Cone, Pump, Hyd	2
▲	17	373393	(000000-) Plate, Cover	1
▲	18	373394	(000000-) Plate, Cover	1
▲	19	70100	(000000-) Pin, Dowel, Pump, Hyd	2
▲	20	373347	(000000-) Screw, Cap	2
▲	21	373348	(000000-) Screw, Cap	2
▲	22	74237	(000000-) Key, Shaft, Pump, Hyd	1
▲	23	373679	(000000-) Coupler, Pump	1
▲	24	373680	(000000-) Ring, Lock	1
▲	25	373395	(000000-) Bearing, Cup	2
▲	26	74180	(000000-) Plate, Valve, Pump, Hyd	1
▲	27	13907	(000000-) Fitting, Hyd, Plug, Om08	1
▲	28	373413	(000000-) Actuator, Valve, By-Pass [En]	1
▲	29	373398	(000000-) Seal Kit, Pump, Hyd	1
▲	30	373402	(000000-) Shim Kit	1
	31	373429	(000000-) Instr, Repair, Pump	1

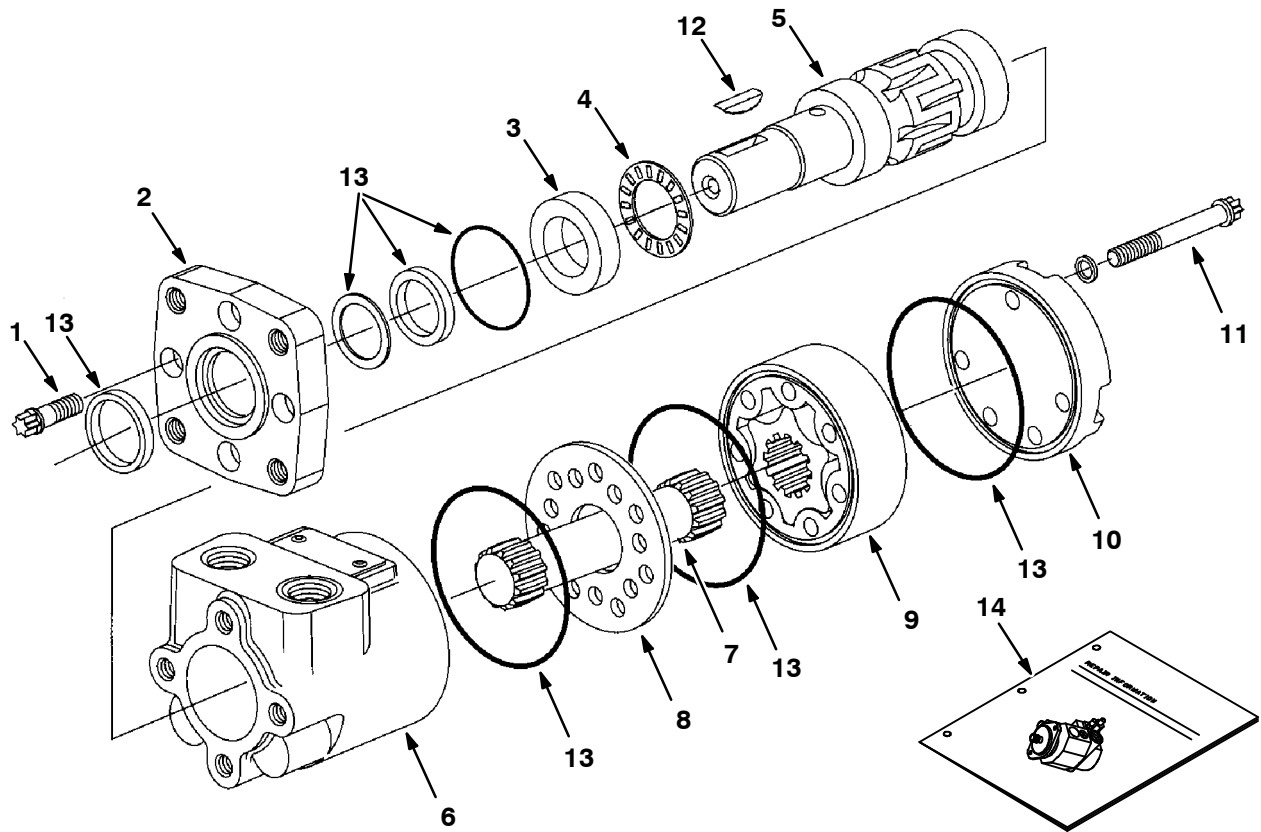
Fig. 4 - Hydraulic Motor Breakdown, 71729



09606-09670 - ALL

Ref.	Tennant Part No.	Manufacturer Serial Number	Description	Qty.
▽	71729	(000000-)	Motor, Hyd Gear In 4.5 B 1500	1
▲	1	37555	(000000-) Screw	4
▲	2	31354	(000000-) Flange Mounting	1
▲	3	16695	(000000-) Race Thrust	1
▲	4	45628	(000000-) Thrust Bearing	1
▲	5	31375	(000000-) Shaft, Output	1
▲	6	74100	(000000-) Housingl	1
▲	7	31379	(000000-) Drive	1
▲	8	74094	(000000-) Spacer Plate	1
▲	9	31383	(000000-) Gerotor Set	1
▲	10	74095	(000000-) End Cap	1
▲	11	65241	(000000-) Cap Screw	5
▲	12	74098	(000000-) Plug #4	1
▲	13	74099	(000000-) Plug #10	2
▲	14	00500-15	(000000-) Key-Wdruff 0.25 1.00	1
▲	15	39527	(000000-) Nut-Hxslot .75-16 Pltd	1
▲	16	61490	(000000-) Seal Replmt Kit	1
▲	17	74250	(000000-) Instr. Repair Info, Motor	1

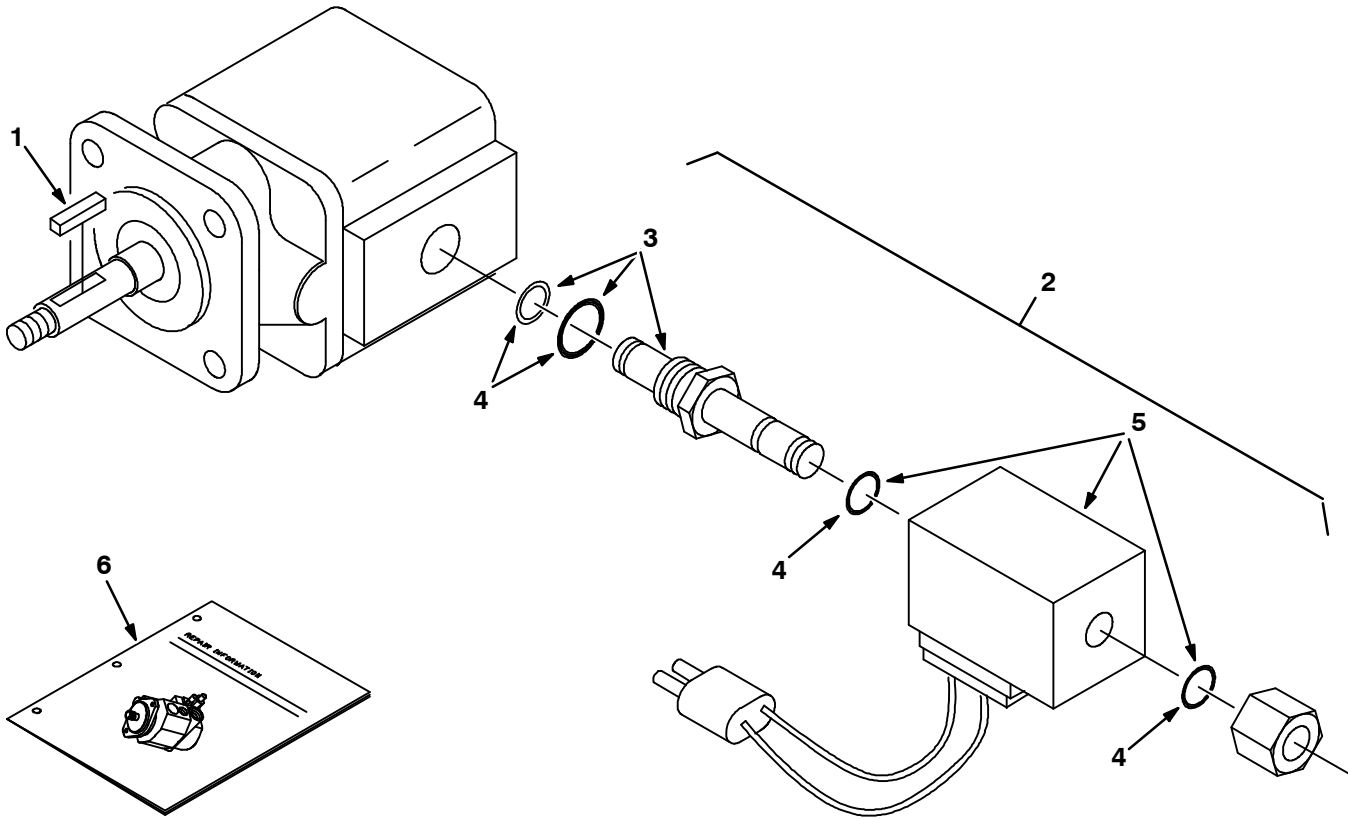
Fig. 5 - Hydraulic Motor Breakdown, 1029379



10859-09670 - ALL

Ref.	Part No.	Serial Number	Description	Qty.	
▽	1029379	(000000-) Motor, Hyd, Gear, Int 08.9 Bi-Dir 2500	1	
▲	1	37555	(000000-) Screw, Motor, Hyd [En]	4
▲	2	31354	(000000-) Flange, Motor, Hyd [En]	1
▲	3	16695	(000000-) Ace, Thrust, Motor, Hyd [En]	1
▲	4	45628	(000000-) Bearing, Thrust	1
▲	5	28854	(000000-) Shaft, Output, Motor, Hyd [En]	1
▲	6	74100	(000000-) Housing, Motor, Hyd [En]	1
▲	7	21955	(000000-) Drive [CI]	1
▲	8	74094	(000000-) Plate, Spacer, Motor, Hyd [En]	1
▲	9	21956	(000000-) Gerotor Set [CI]	1
▲	10	65230	(000000-) End Cap, Motor, Hyd [En]	1
▲	11	21958	(000000-) Cap Screw CI	5
▲	12	00500-15	(000000-) Key, Woodruff, 0.25 1.00 [Asa#0808]	1
▲	13	61490	(000000-) Seal Kit, Motor [CI]	1
▲	14	74250	(000000-) Instr, Motor, Hyd, Repair [En]	1

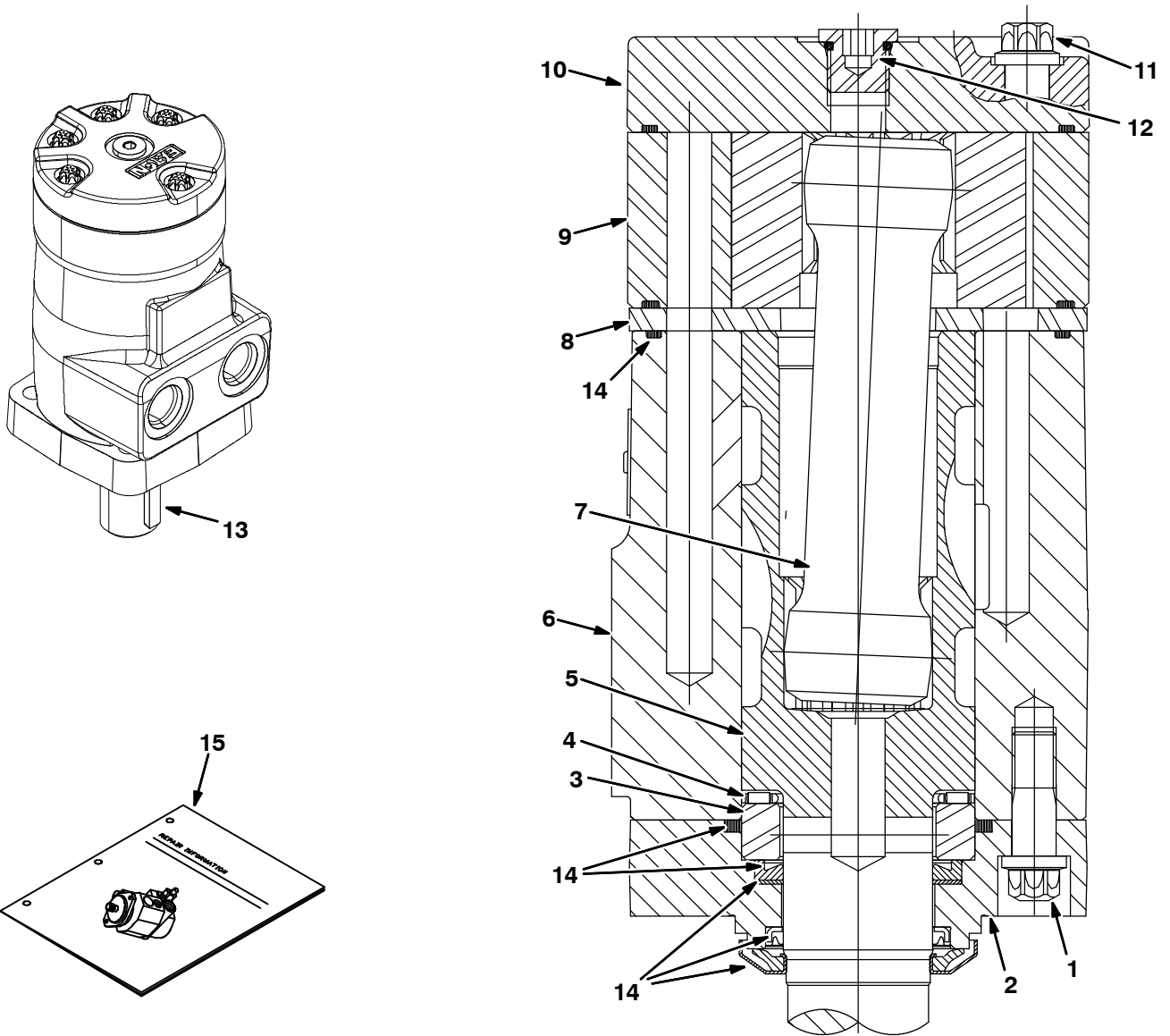
Fig. 6 - Hydraulic Motor Breakdown, 53485



07490 - 09670

Ref.	Part No.	Serial Number	Description	Qty.
▽	53485	(000000-) Motor, Hyd, Gear, Ext 0.19 Rh 3000	1
▲	74233	(000000-) Kit, Seal, Motor, Hyd, Gear[Barns]	1
▲	1 00966	(000000-) Key, Sq, 0.12 X 0.12, 0.75l	1
▲▽	2 54095	(000000-) Valve, Hyd Cartridge 10no/-0	1
▲▲	3 59378	(000000-) Valve Stem, N.O.Valve, Hyd	1
▲▲	4 48813	(000000-) Kit, Seal, Valve, Hyd [Cec]	1
▲▲	5 35493	(000000-) Solenoid, 12v, Valve, Hyd [Cec]	1
	6 IB3614	(000000-) Instr, Seal Kit, Motor	1

Fig. 7 - Hydraulic Motor Breakdown, 1024407



Ref.	Part No.	Serial Number	Description	Qty.
▽	1024407	(000000-) Motor, Hyd, Gear, Int 09.7 Bi-Dir 2500	1
▲	1 37555	(000000-) Screw, Motor, Hyd [En]	4
▲	2 22609	(000000-) Flange	1
▲	3 16695	(000000-) Ace, Thrust, Motor, Hyd [En]	1
▲	4 45628	(000000-) Bearing, Thrust	1
▲	5 22614	(000000-) Shaft, Output, Motor, Hyd	1
▲	6 373674	(000000-) Housing, Motor, Hyd [En]	1
▲	7 31376	(000000-) Drive	1
▲	8 74094	(000000-) Plate, Spacer, Motor, Hyd [En]	1
▲	9 38263	(000000-) Gerotor, Motor, Hyd	1
▲	10 74101	(000000-) End Cap, Motor, Hyd [En]	1
▲	11 21960	(000000-) Screw, Cap, Motor, Hyd	5
▲	12 74098	(000000-) Fitting, Hyd, Plug, Om04	1
▲	13 00500-15	(000000-) Key, Woodruff, 0.25 1.00 [Asa#0808]	1
▲	14 22615	(000000-) Seal Kit, Motor [CI]	1
▲	15 74250	(000000-) Instr, Motor, Hyd, Repair [En]	1

Fig. 8 - Hydraulic Valve Breakdown, 1018938

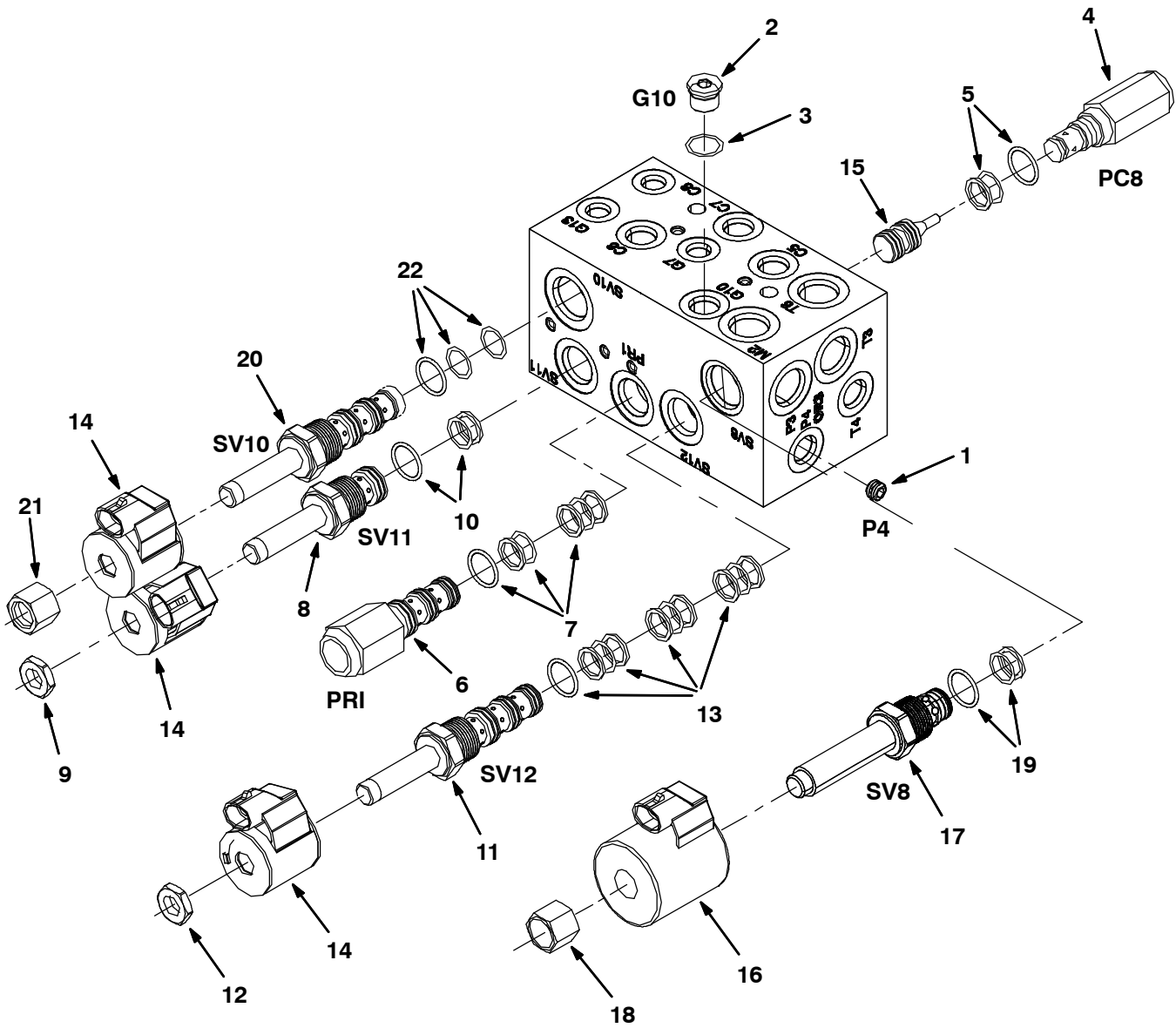


Fig. 8 - Hydraulic Valve Breakdown, 1018938

	Ref.	Part No.	Serial Number	Description	Qty.
▽		1018938	(000000-) Valve, Cntrl, Hyd [M20 And T20]	1
▲	1	373633	(000000-) Plug, Orifice, Valve, Hyd, .040	1
▲▽	2	13904	(000000-) Fitting, Plug, Org, #6, Valve [Cec]	1
▲▲	3	77005	(000000-) Seal, Org, .078 X 00.47id #06	1
▲▽	4	373656	(000000-) Valve, Check	1
▲▲	5	373647	(000000-) Seal Kit, Cartridge	1
▲▽	6	373661	(000000-) Valve, Relief	1
▲▲	7	373647	(000000-) Seal Kit, Cartridge	1
▲▽	8	373662	(000000-) Stem, Valve, Hyd	1
▲▲	9	373648	(000000-) Nut, Coil, F/#8	1
▲▲	10	373647	(000000-) Seal Kit, Cartridge	1
▲▽	11	373657	(000000-) Stem, Valve, Hyd, 4w2p	1
▲▲	12	373648	(000000-) Nut, Coil, F/#8	1
▲▲	13	373647	(000000-) Seal Kit, Cartridge	1
▲	14	373640	(000000-) Solenoid, #8, 12vdc	3
▲	15	373658	(000000-) Spool, Pilot, Hyd	1
▲	16	373642	(000000-) Solenoid, #10, 12vdc	1
▲▽	17	373663	(000000-) Valve, Stem, No	1
▲▲	18	373670	(000000-) Nut, Solenoid	1
▲▲	19	373646	(000000-) Seal Kit, Cartridge	1
▲▽	20	373664	(000000-) Cartridge, Psi Cntrl, Valve, Hyd	1
▲▲	21	373673	(000000-) Nut, Solenoid	1
▲▲	22	373672	(000000-) Seal Kit, Cartridge	1

Fig. 9 - Hydraulic Valve Breakdown, 1020394

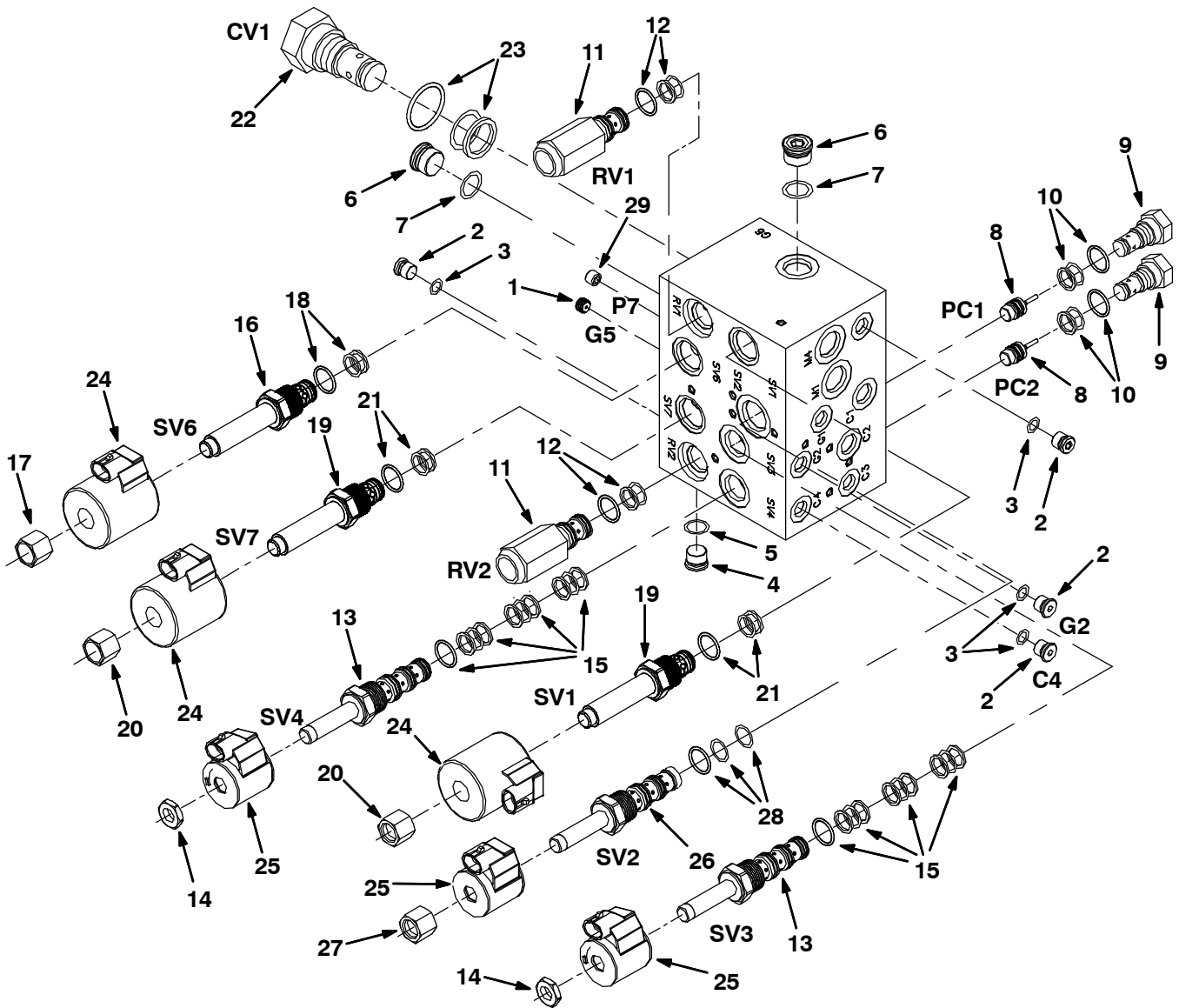


Fig. 9 - Hydraulic Valve Breakdown, 1020394

	Ref.	Part No.	Serial Number	Description	Qty.
▽		1020394	(000000-) Valve, Cntrl, Hyd	1
▲	1	373665	(000000-) Plug, Orifice, Valve, Hyd, .046	1
▲▽	2	74098	(000000-) Fitting, Hyd, Plug, Om04	4
▲▲	3	77003	(000000-) Seal, Org, .072 X 00.35id #04	1
▲▽	4	13904	(000000-) Fitting, Plug, Org, #6, Valve [Cec]	1
▲▲	5	77005	(000000-) Seal, Org, .078 X 00.47id #06	1
▲▽	6	13907	(000000-) Fitting, Hyd, Plug, Om08	2
▲▲	7	77006	(000000-) Seal, Org, .087 X 00.64id #08	2
▲	8	373658	(000000-) Spool, Pilot, Hyd	2
▲▽	9	373631	(000000-) Valve, Check	2
▲▲	10	373647	(000000-) Seal Kit, Cartridge	1
▲▽	11	373666	(000000-) Valve, Relief	2
▲▲	12	373647	(000000-) Seal Kit, Cartridge	1
▲▽	13	373657	(000000-) Stem, Valve, Hyd, 4w2p	2
▲▲	14	373648	(000000-) Nut, Coil, F/#8	1
▲▲	15	373647	(000000-) Seal Kit, Cartridge	1
▲▽	16	373667	(000000-) Stem, Valve, Hyd	1
▲▲	17	373648	(000000-) Nut, Coil, F/#8	1
▲▲	18	373646	(000000-) Seal Kit, Cartridge	1
▲▽	19	373663	(000000-) Valve, Stem, No	2
▲▲	20	373670	(000000-) Nut, Solenoid	1
▲▲	21	373646	(000000-) Seal Kit, Cartridge	1
▲▽	22	373668	(000000-) Valve, Check	1
▲▲	23	373671	(000000-) Seal Kit, Cartridge	1
▲	24	373642	(000000-) Solenoid, #10, 12vdc	3
▲	25	373640	(000000-) Solenoid, #8, 12vdc	3
▲▽	26	373664	(000000-) Cartridge, Psi Cntrl, Valve, Hyd	1
▲▲	27	373673	(000000-) Nut, Solenoid	1
▲▲	28	373672	(000000-) Seal Kit, Cartridge	1
▲	29	373669	(000000-) Plug, Orifice, Valve, Hyd, .063	1

Fig. 10 - Hydraulic Valve Breakdown, 1037805

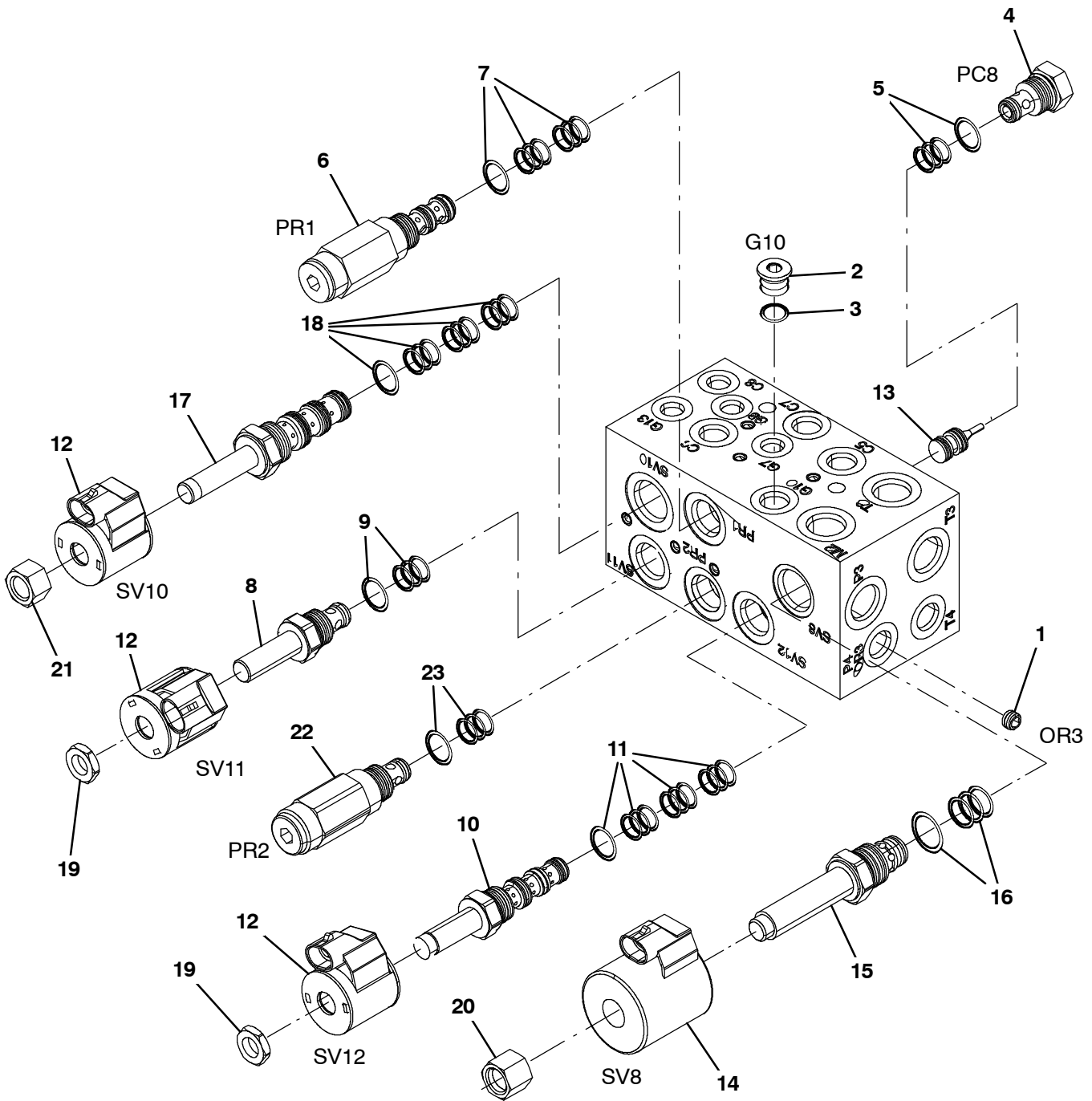


Fig. 10 - Hydraulic Valve Breakdown, 1037805

Ref.	Part No.	Serial Number	Description	Qty.
▽	1037805	(000000-) Valve, Cntrl, Hyd, Solenoid, 03/16gpm	1
▲	1 373633	(000000-) Plug, Orifice, Valve, Hyd, .040	1
▲▽	2 13904	(000000-) Fitting, Plug, Org, #6, Valve [Cec]	1
▲▲	3 77005	(000000-) Seal, Org, .078 X 00.47id 06	1
▲▽	4 373656	(000000-) Valve, Check	1
▲▲	5 373647	(000000-) Seal Kit, Cartridge	1
▲▽	6 373683	(000000-) Valve, Relief	1
▲▲	7 373647	(000000-) Seal Kit, Cartridge	1
▲▽	8 373662	(000000-) Stem, Valve, Hyd	1
▲▲	9 373647	(000000-) Seal Kit, Cartridge	1
▲▽	10 373657	(000000-) Stem, Valve, Hyd [4w2p]	1
▲▲	11 373647	(000000-) Seal Kit, Cartridge	1
▲	12 373640	(000000-) Solenoid, #8, 12vdc	1
▲	13 373658	(000000-) Spool, Pilot, Hyd	1
▲	14 373642	(000000-) Solenoid, #10, 12vdc	3
▲▽	15 373663	(000000-) Valve, Stem, No	1
▲▲	16 373646	(000000-) Seal Kit, Cartridge	1
▲▽	17 373664	(000000-) Cartridge, Psi Cntrl, Valve, Hyd	1
▲▲	18 373672	(000000-) Seal Kit, Cartridge	1
▲	19 373684	(000000-) Nut, Coil, Nyl Patch	1
▲	20 373685	(000000-) Nut, Coil, Nyl Patch	1
▲	21 373686	(000000-) Nut, Coil, Nyl Patch	1
▲▽	22 1047625	(000000-) Valve, Relief	1
▲▲	23 373647	(000000-) Seal Kit, Cartridge	1

Fig. 11 - Hydraulic Steering Valve Breakdown, 1024260

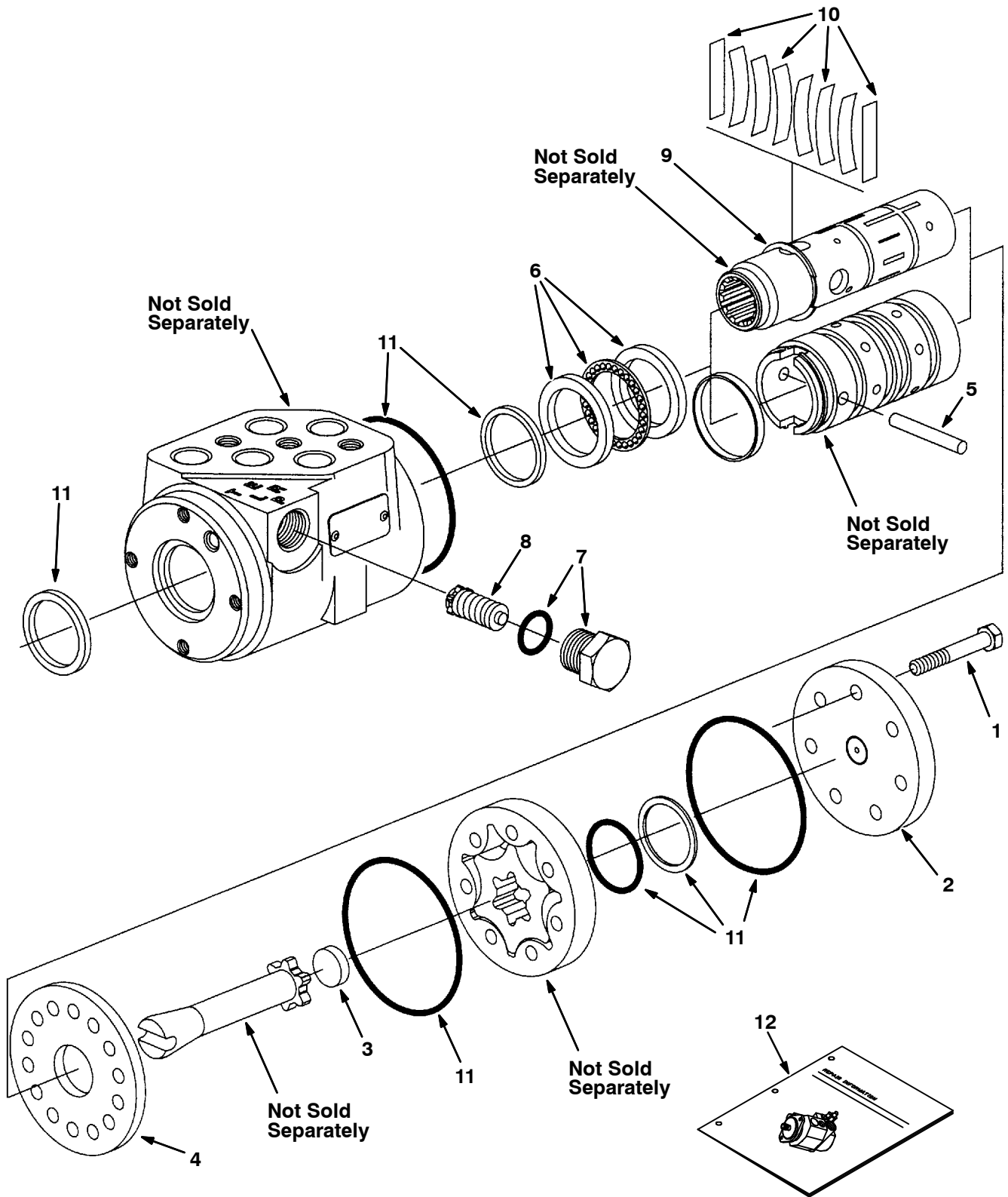
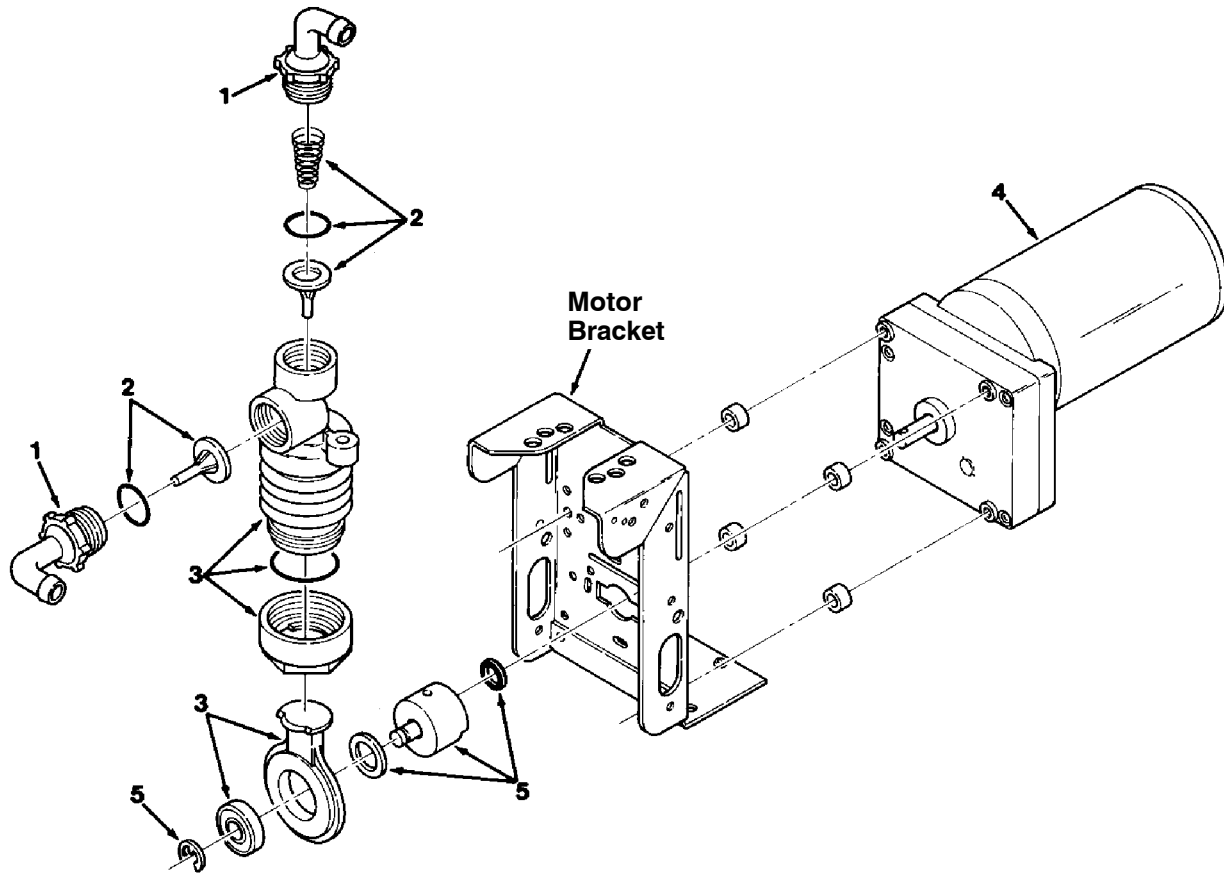


Fig. 11 - Hydraulic Steering Valve Breakdown, 1024260

	Ref.	Part No.	Serial Number	Description	Qty.
▽		1024260	(000000-) Steer-Control, Hyd05, 06.1 2030	1
▲	1	74183	(000000-) Screw, Valve, Steering	7
▲	2	74185	(000000-) Cap, End, Valve, Steering	1
▲	3	74193	(000000-) Spacer, Valve, Steering	1
▲	4	74222	(000000-) Plate, Wear, Steering Valve	1
▲	5	74232	(000000-) Pin, Valve, Steering	1
▲	6	21935	(000000-) Bearing Kit [C]	1
▲	7	21933	(000000-) Plug Assy [C]	1
▲	8	21934	(000000-) Valve Assy, Relief [C]	1
▲	9	74243	(000000-) Ring, Retainer, Steering Valve	1
▲	10	74196	(000000-) Spring Kit, Scu [C]	1
▲	11	74244	(000000-) Seal Kit, Steering [C]	1
▲	12	74245	(000000-) Instr, Valve, Steering, Repair	1

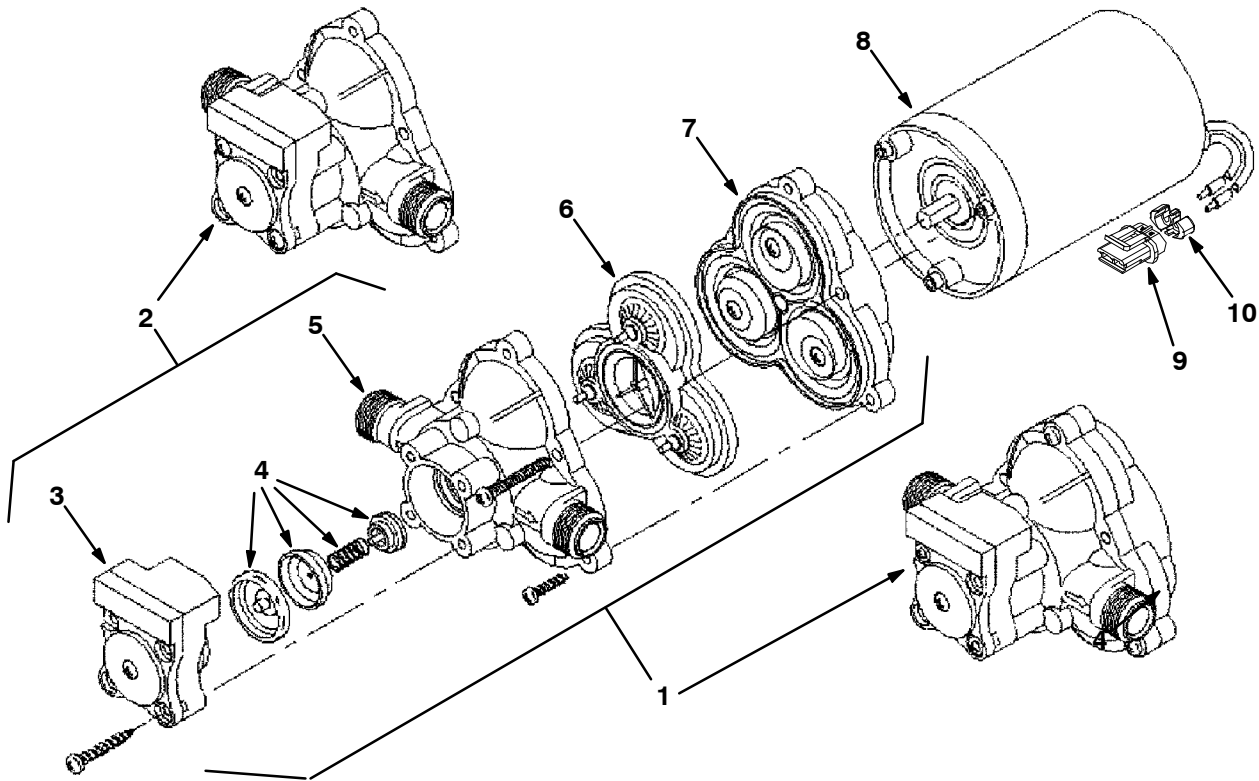
Fig. 12 - Metering Solution Pump Breakdown, 73260



00112 - ALL

Ref.	Part No.	Serial Number	Description	Qty.
▽	73260	(000000-) Pump, Detgt, 14vdc, 150ml/Min 20psi	1
▲	1 63923	(000000-) Tubing Connctr.Kit, Gorman Pmp	1
▲	2 21659	(000000-) Valve Kit, Poppet, Gorman Rupp	1
▲	3 21657	(000000-) Kit, Bellows, Pump, Detgt	1
▲	4 78875	(000000-) Motor, Ele, Gear, 14vdc, Pump, Detgt	1
▲	5 02430	(000000-) Crank Kit, Pump, F/79323, Replmt	1

Fig. 13 - Water Pump Breakdown, 1026743



07490 - 09670

Ref.	Part No.	Serial Number	Description	Qty.
▽	1026743	(000000-) Pump, Diaphragm	1
▲	1	1031802	(000000-) Complete Pump Kit, Pump, Repair,	1
▲	2	1031803	(000000-) Hsg & Switch Kit, Pump, Repair,	1
▲	3	1031796	(000000-) Switch Kit, Pump, Repair,	1
▲	4	1031797	(000000-) Chech Valve Kit, Pump, Repair,	1
▲	5	1031798	(000000-) Upper Hsg Kit, Pump, Repair,	1
▲	6	1031799	(000000-) Bypass Valve Kit, Pump, Repair,	1
▲	7	1031800	(000000-) Diaphragm Kit, Pump, Repair,	1
▲	8	1031801	(000000-) Motor Kit, Pump, Repair,	1
▲	9	78950	(000000-) Connector, Fem, 02cav, Mp280 Sealed	1
▲	10	78952	(000000-) Lock, Secondary, 2cav, Mp280 Sealed	1
▲		78951	(000000-) Terminal, Fem, Mp280, Sealed, 18-16ga	2
▲		10917	(000000-) Seal, Wire, 14/16ga [Wp / Mp280 Sealed]	2

Fig. 14 - ec-H2O Module Assembly Breakdown, 9007882

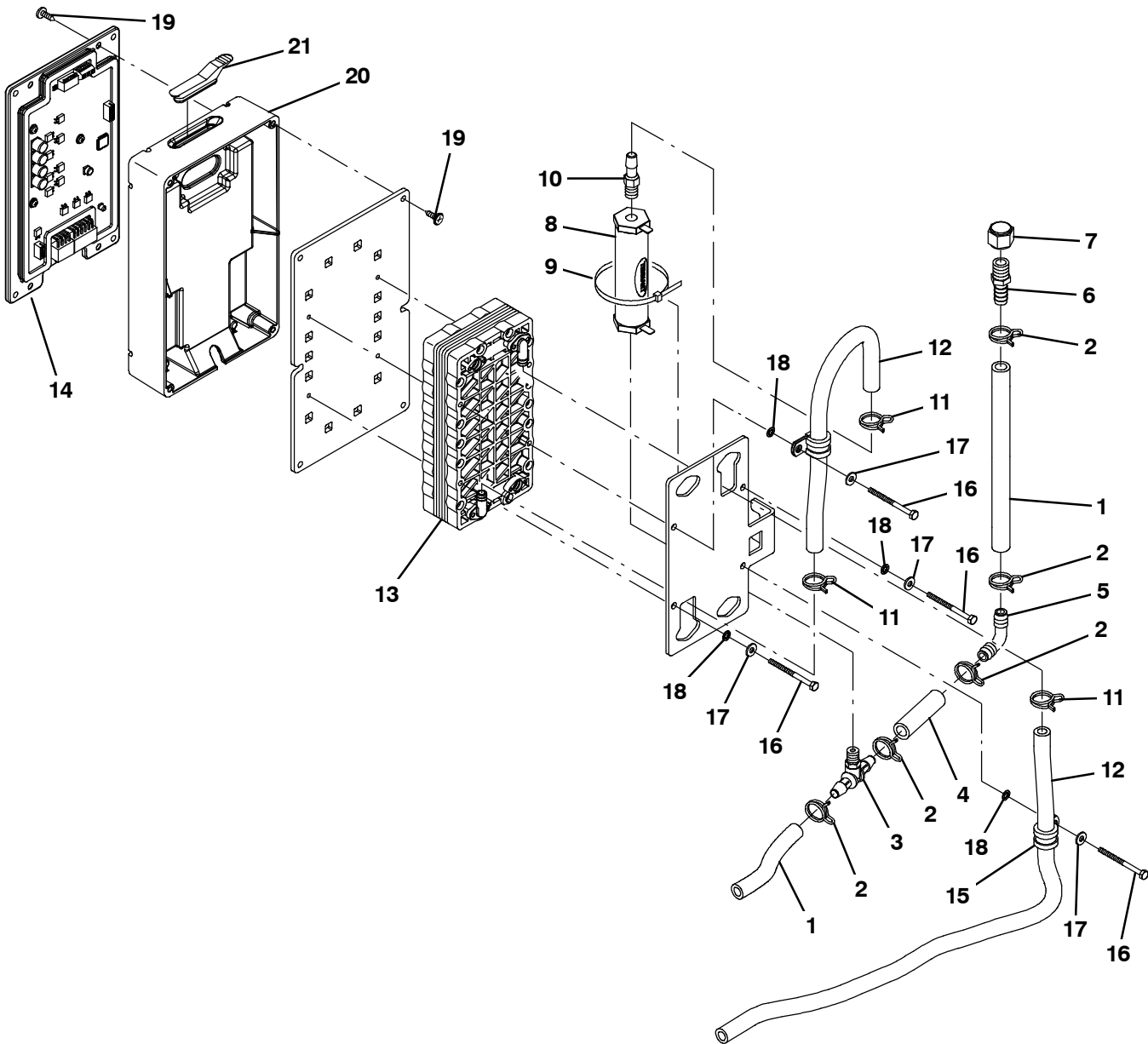
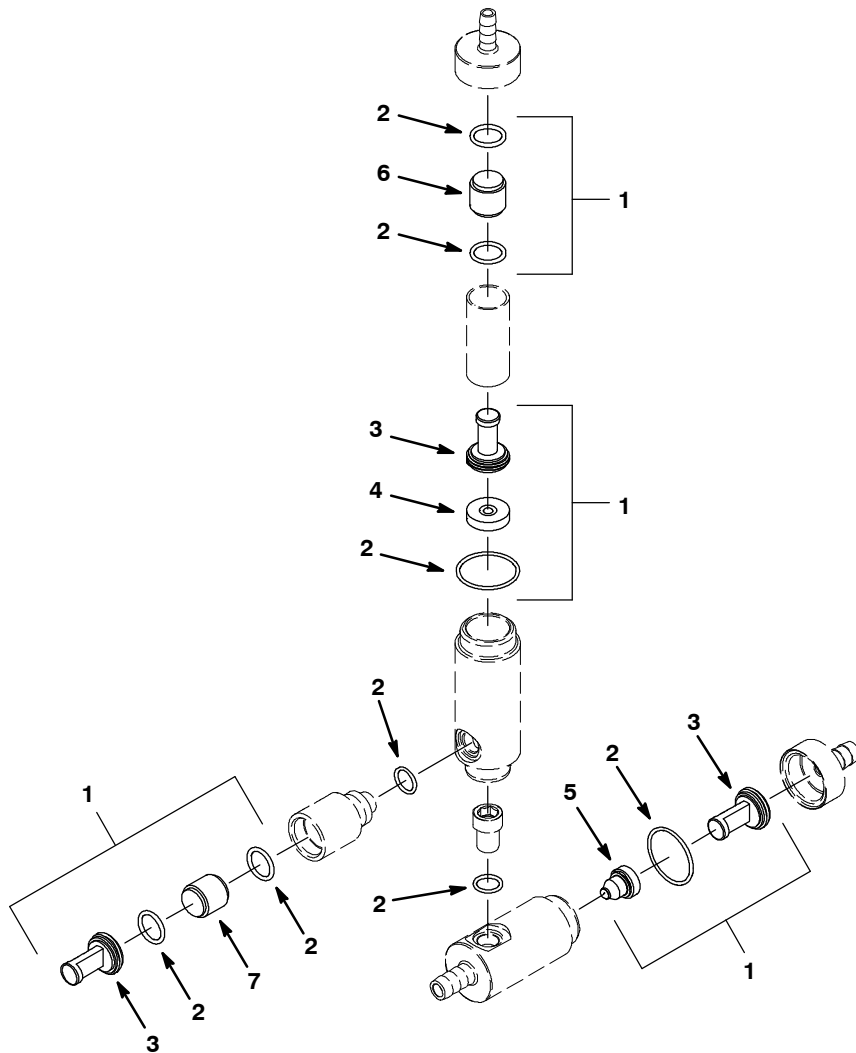


Fig. 14 - ec-H2O Module Assembly Breakdown, 9007882

Ref.	Part No.	Serial Number	Description	Qty.
▽	9007882	(000000-) Module Kit, Replmt [Ec-H2O]	1
▲	1 1014974	(000000-) Hose, Afmkt, Pvc, Brd, 0.38id, 02ft, Clr	2
▲	2 607775	(000000-) Clamp, Hose, Wir, .63 - .66, Blk	5
▲	3 1060517	(000000-) Fitting, Plstc, Tee, Bm06/Pm02/Bm06	1
▲	4 1014971	(000000-) Hose, Afmkt, Pvc, Brd, 0.38id, 01ft, Clr	1
▲	5 20951	(000000-) Fitting, Plstc, E90, Bm06/Bm06	1
▲	6 150540	(000000-) Fitting, Plstc, Str, Bm06/Pm04	1
▲	7 1005435	(000000-) Fitting, Plstc, Pipe, Cap, Pf04	1
▲	8 1038159	(000000-) Electrode, Cylindrical	1
▲	9 44961	(000000-) Tie, Cable, Nyl, 14.5l .30w 4.0 Max D	1
▲	10 1060695	(000000-) Fitting, Plstc, Str, Pm02/Bm05	1
▲	11 1053464	(000000-) Clamp, Hose, Wir, .52 - .56, Yel	3
▲	12 1052336	(000000-) Hose, Afmkt, PVC, Brd, 0.31id, 03Ft, Clr	1
▲	13 1057637	(000000-) Electrode, 5 Plate, High Flow	1
▲	14 9007883	(000000-) Controller Kit, Replmt [Ec-H2O]	1
▲	15 1016354	(000000-) Clamp, Cable, Ss, 0.50d X 0.50w [Insul]	2
▲	16 32509	(000000-) Screw, Hex, M4 X 0.70 X 50, Ss	4
▲	17 41579	(000000-) Washer, Flat, 08, Ss	4
▲	18 02938	(000000-) Washer, Lock, Int, 08, Ss	4
▲	19 1018155	(000000-) Screw, Pan, Phl, M5 X 0.80 X 16, Tcut,Ss	8
▲	20 1037032	(000000-) Housing, Bottom	1
▲	21 1054776	(000000-) Grommet, Blind	1

Fig. 15 - FaST Injector Assembly Breakdown, 9004515



354649

Ref.	Part No.	Serial Number	Description	Qty.	
▽	9004515	(000000-) FaST Kit, Injector, CI[M20/M30 FaST II+]	1	
▲▽	1	9004514	(000000-) FaST Kit, Ci, Injector Rebuild[FaST II+]	1
▲▲	2	9003008	(000000-) Fast Kit, Ci, Injector Seals [Fast li+]	1
▲▲	3	9003009	(000000-) Fast Kit, Ci, Injector Filters[Fast li+]	1
▲▲	4	1042711	(000000-) Plate Assy, Orifice, 0.0105id, Green	1
▲▲	5	1042710	(000000-) Plug, Orifice, 0.060, Ss [Fast li+]	1
▲▲	6	1030444	(000000-) Valve, Check, 0002psi [Fast li+]	1
▲▲	7	1030441	(000000-) Valve, Check, 0005psi [Fast li+]	1

SECTION 5

Contents	Page
Fig. 1 - Cylinder Head and Valves Group . . .	5-2
Fig. 2 - Crankshaft and Pistion Group	5-4
Fig. 3 - Oil and Water Pump Group	5-6
Fig. 4 - Oil Pan and Filter Group	5-8
Fig. 5 - Manifold Group	5-9
Fig. 6 - Camshaft Group	5-10
Fig. 7 - Ignition Group	5-12

Fig. 1 - Cylinder Head and Valves Group

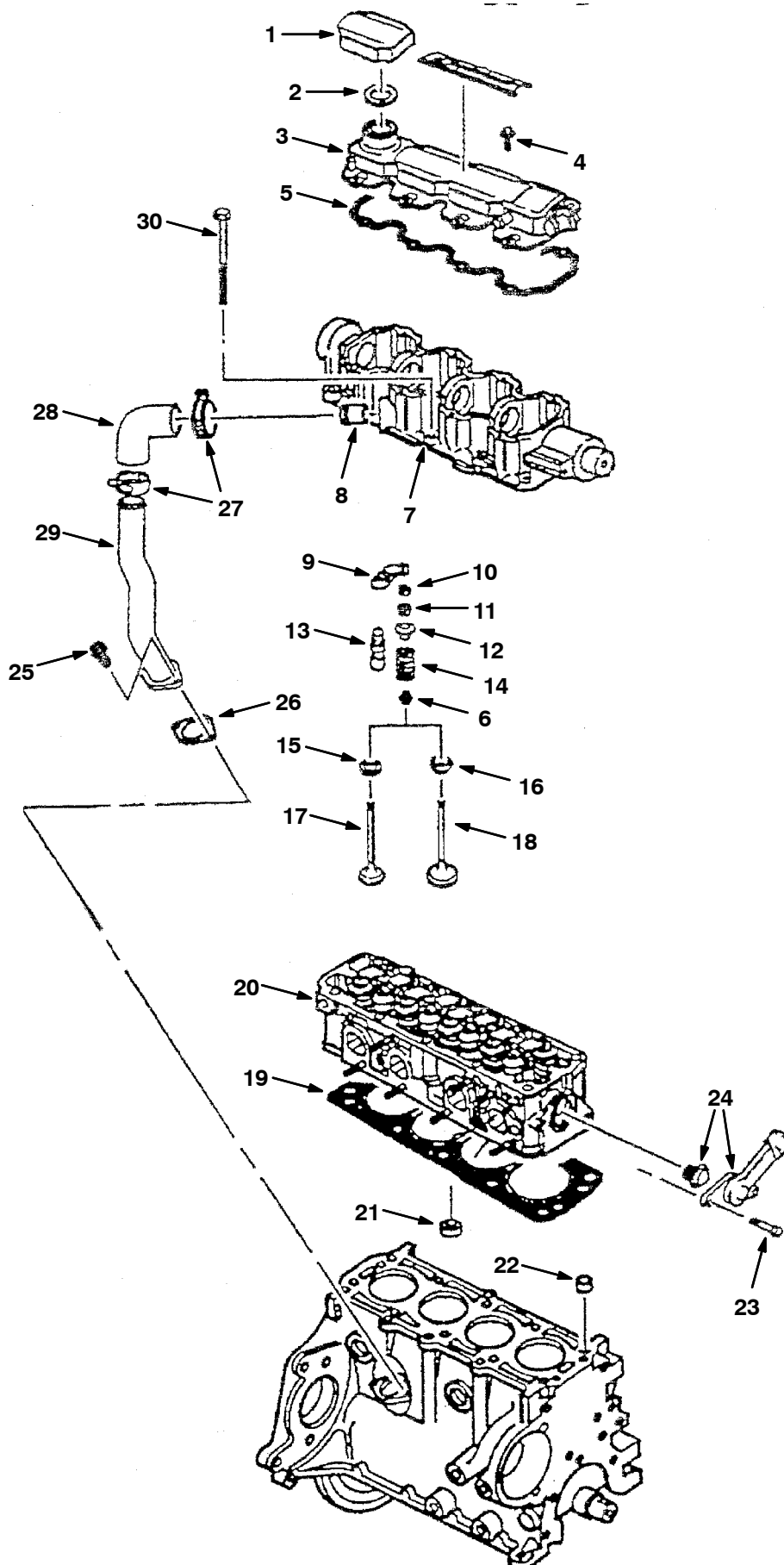


Fig. 1 - Cylinder Head and Valves Group

Ref.	Part No.	Description	Qty.
1	372574	Cap, Filler, Oil, W/ Org	1
2	372573	Seal, Org, Cap	1
3	372007	Cover, Hsng, Camshaft	1
4	371990	Bolt, Camshaft Cover	8
5	372008	Gasket, Cover, Hsng, Camshaft	1
6	9003345	Seal, Seat, Valve	8
7	372018	Housing, Camshaft	1
8	372019	Tube [Pcv]	1
9	372030	Arm, Rocker, Valve	8
10	372031	Seat, Spring, Valve, 0.333	8
11	372033	Key, Valve Stem	16
12	372034	Cap, Spring, Valve	4
13	372035	Screw, Adj, Valve, Hyd	8
14	372036	Spring, Valve	8
15	372037	Seat, Rotator, Valve	4
16	372032	Seat, Spring, Valve	8
17	372038	Valve, Exhaust	4
18	372039	Valve, Intake	1
19	372022	Gasket, Head, Cyl	1
20	372023	Head, Cyl	1
21	372024	Seat, Valve, Exhaust, [+0.2mm]	4
21	372025	Seat, Valve, Exhaust, Std	4
21	372026	Seat, Valve, Exhaust, [+0.4mm]	4
21	372027	Seat, Valve, Intake, Std	4
21	372028	Seat, Valve, Intake, [+0.2mm]	4
21	372029	Seat, Valve, Intake, [+0.4mm]	4
22	371999	Pin, Lock, Cyl Head, 14mm X 17mm	2
23	372048	Bolt, Hsng, Thermostat	2
24	372047	Thermostat, W/ Hsng And Seal	1
25	371957	Bolt, Tube [Pvc], M6 X 1 X 15	2
26	371958	Gasket, Tube [Pcv]	1
27	371954	Clamp, Hose, 1.75 [Pcv]	2
28	371955	Hose [Pcv]	1
29	371956	Tube [Pcv]	1
30	372882	Bolt, Head. Cyl	10

Fig. 2 - Crankshaft and Piston Group

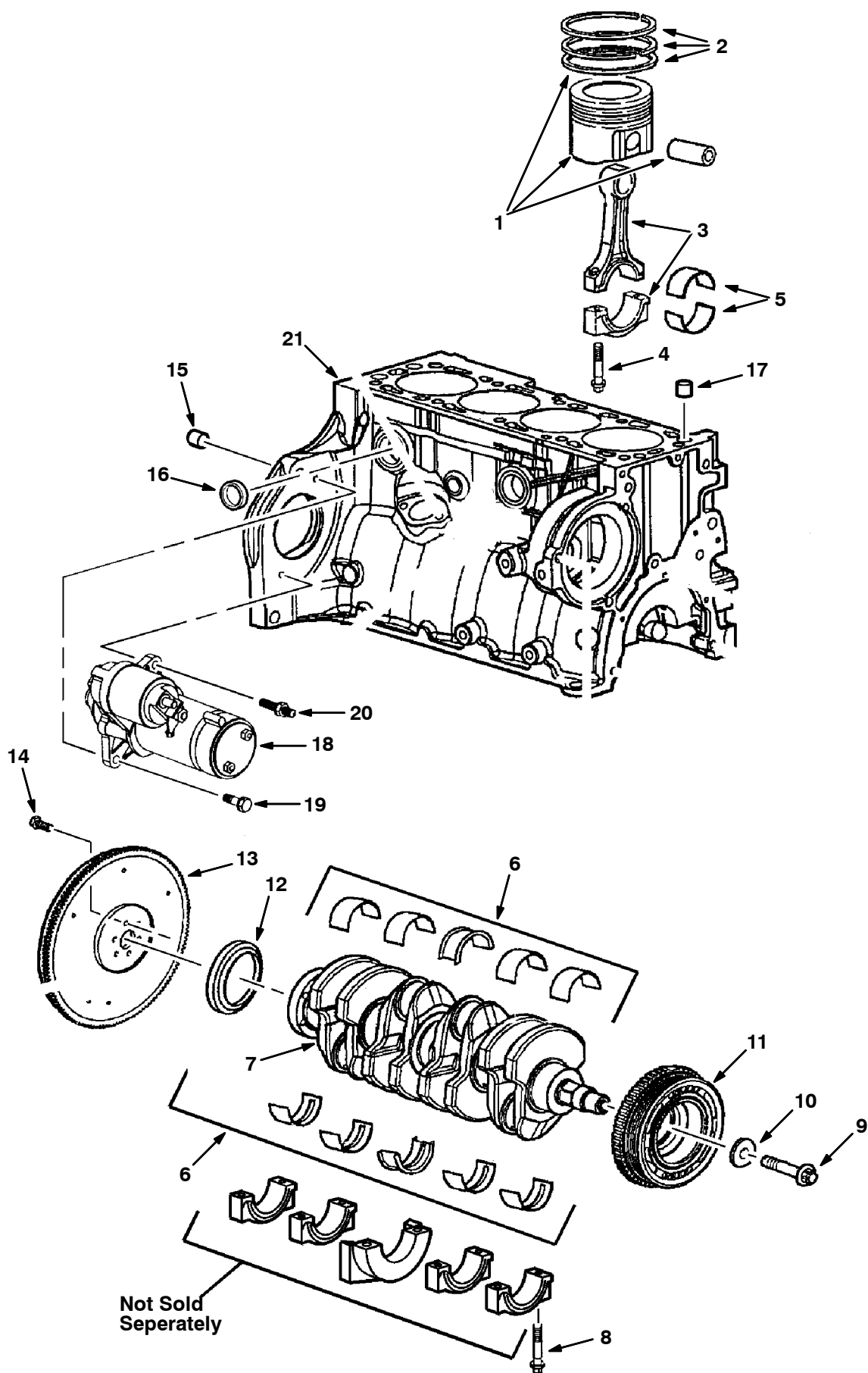


Fig. 2 - Crankshaft and Piston Group

Ref.	Part No.	Description	Qty.
▽ 1	371932	Piston, W/ Pin, Std	1
▲ 2	371931	Ring Kit, Piston, Std 78.95-79.02mm	4
3	371934	Rod, Connecting, M08 X 45	4
4	371935	Bolt, Connecting Rod	8
5	371933	Bearing Kit, Rod, Connecting, Std	1
6	371966	Bearing Kit, Cshft, 1.995-2.001mm (Brown Blue)	4
6	371967	Bearing Kit, Cshft, 2.120-2.126mm	4
6	371968	Bearing Kit, Cshft, 2.114-2.120mm	4
6	371969	Bearing Kit, Cshft, 1.989-1.995mm (Brown)	4
6	371970	Bearing Kit, Cshft, 1.989-1.995mm (Green Blue)	4
6	371971	Bearing Kit, Cshft, 1.995-2.001mm (Green)	4
7	371965	Crankshaft	1
8	371946	Bolt, M10 X 1.50 X 75mm	10
9	371938	① Bolt, M12 X 1.75 X 62mm	1
9	384961	② Bolt, Pulley, Cshft	1
10	371937	Washer, Sheave, Cshft	1
11	371936	Sheave, Cshft	1
12	371945	Seal, Oil, Cshft	1
13	371979	Flywheel	1
14	371976	Bolt, Flywheel	6
15	371978	Pin, Lock, Transmission	2
16	371942	Plug, Hole, Coolant, Eng Block	6
17	371999	Pin, Lock, Cyl Head, 14mm X 17mm	2
18	371962	③ Starter, 12vdc [Gm] (Before Mar. 2006)	1
18	384963	④ Starter, 12vdc [Delco] (Mar. 2006 and Newer)	1
19	371963	① Bolt, M08 X 1.25 X 25mm	1
19	384964	② Bolt, M08 X 1.25 X 25mm	1
20	371964	Stud, Starter, M08 X 1.25	1
21	371944	Block, Short, Eng, W/ Piston & Ring	1

- ① Serial Number (000000-xxxxxx)
- ② Serial Number (xxxxxx-)
- ③ Serial Number (000000000-1PGL13150)
- ④ Serial Number (1PGL13151-)

Fig. 3 - Oil and Water Pump Group

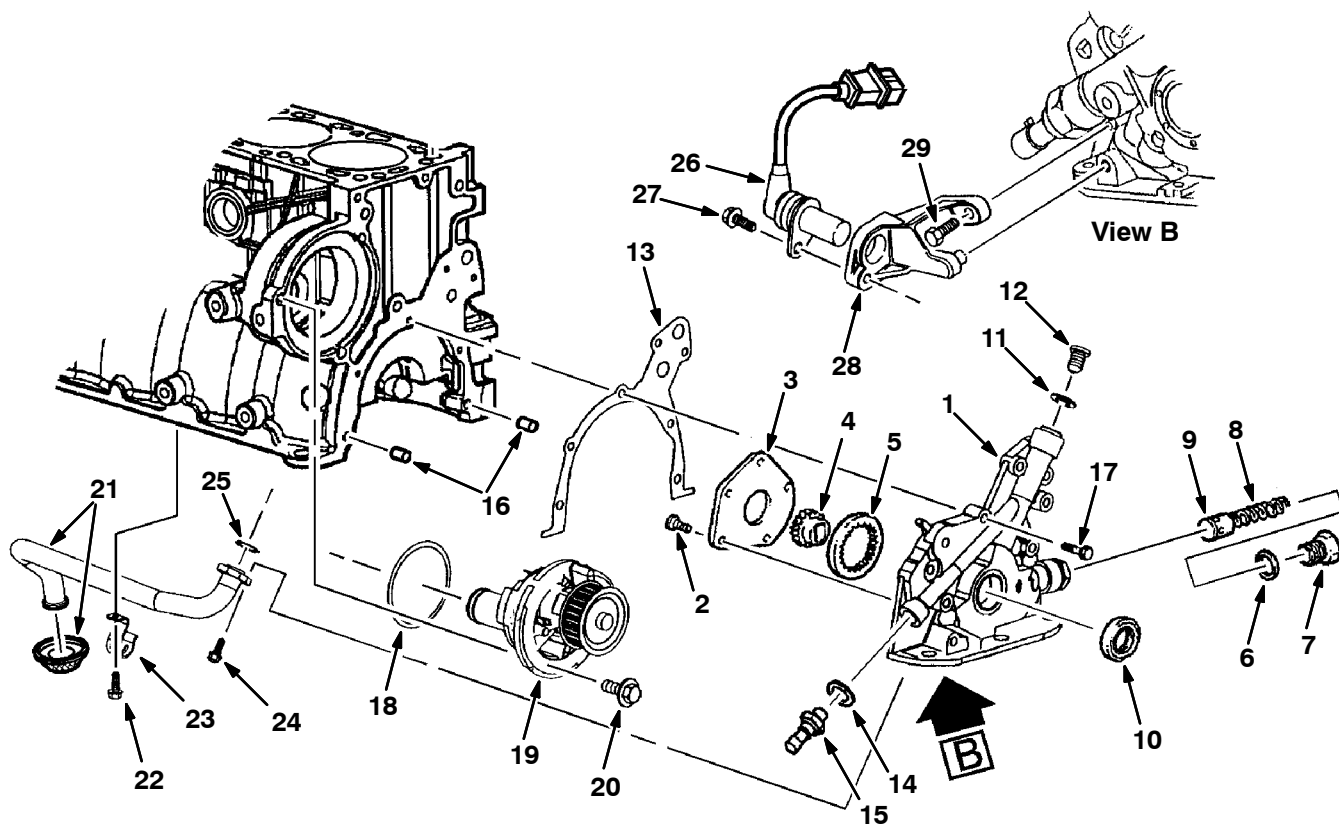


Fig. 3 - Oil and Water Pump Group

Ref.	Part No.	Description	Qty.
▽	1 372572	Pump, Oil	1
▲	2 371947	Bolt, Cover, Oil Pump, M6 X 14	5
▲	3 371948	Cover, Pump, Oil	1
▲	4 371949	Gear, Ring, Drive, Oil Pump	1
▲	5 371950	Gear, Drive, Oil Pump	1
▲	6 371998	Gasket, Plug, Relief Valve, Oil Press	1
▲	7 371994	Plug, Bore, Valve, Relief, Oil Press	1
▲	8 371993	Spring, Valve, Relief, Oil Press	1
	9 371997	Valve, Relief, Oil Press	1
	10 372005	Seal, Org, Oil Pump	1
	11 371951	Seal, Org, Hsng, Oil Pump	1
	12 371952	Plug, Hsng, Oil Pump	1
	13 371984	Gasket, Pump, Oil	1
	14 371987	Seal, Org, Press Switch / Drain Plug	1
	15 371996	③ Switch, Indicator, Oil Press	1
	15 9008197	④ Switch, Indicator, Oil Press [2010]	1
	16 371983	Pin, Ring, Lock, Hsng, Water Pump	2
	17 371986	Bolt, Pump, Oil	6
	18 372567	Seal, Org, Water Pump	1
	19 371981	Pump, Water [Gm]	1
	20 371980	Bolt, Cover, Water Pump	3
	21 372001	Screen, Oil Pump, W/ Suc Pipe	1
	22 371991	Bolt, Bracket, Screen, Oil Pump, M6x1x1	1
	23 372000	① Bracket, Screen, Oil Pump	1
	23 384966	② Bracket, Screen, Oil Pump	1
	24 371990	Bolt, Oil Pump Screen/Camshaft Cover	2
	25 371988	Seal, Ring, Pipe, Suc, Oil Pump	1
	26 372002	Sensor, Position, Cshft	1
	27 384968	Bolt, Bracket, Sensor, Cshft Position	1
	28 372003	Bracket, Sensor, Position, Cshft	1
	29 372004	Bolt, Sensor, Position, Cshft	3

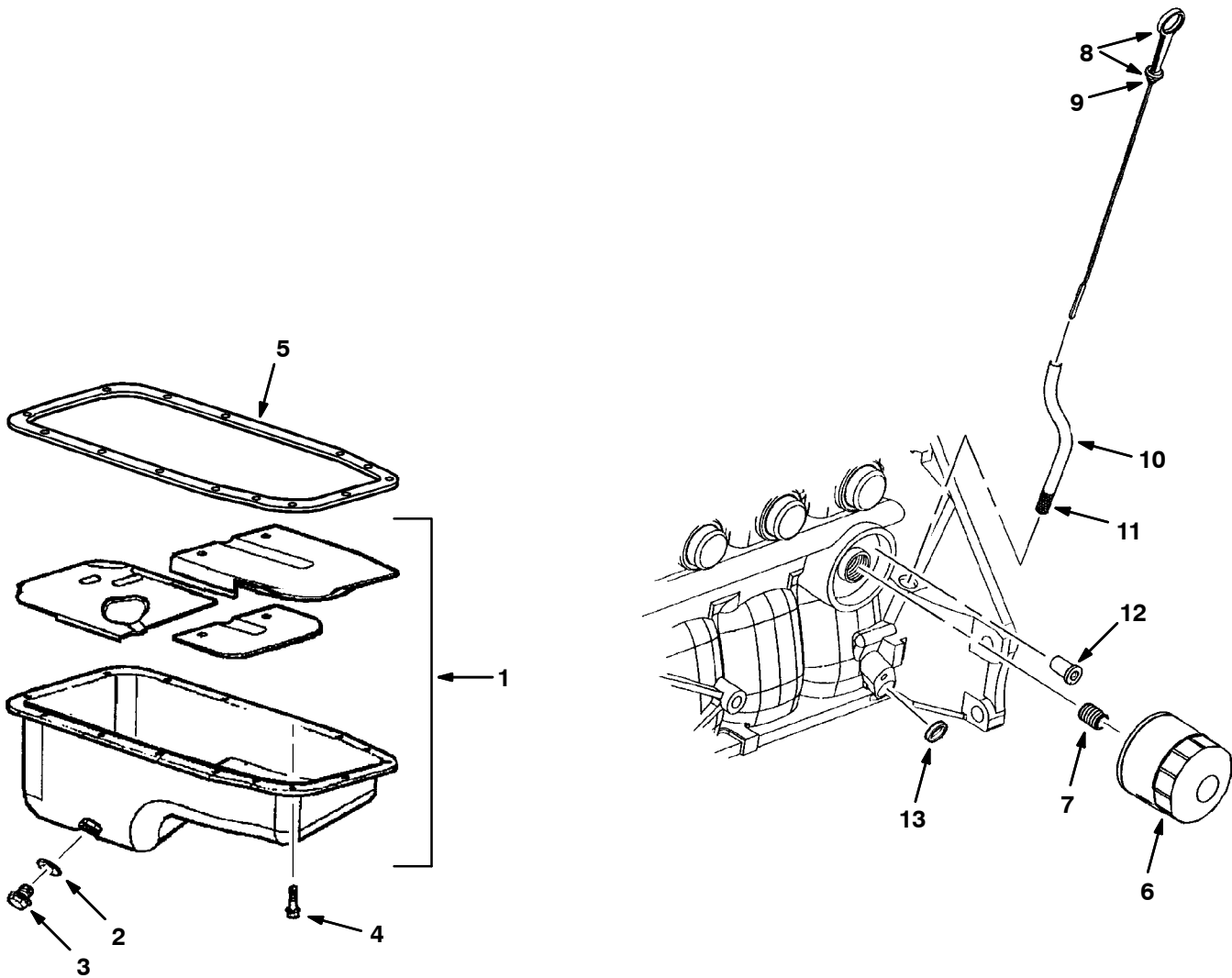
① Serial Number (000000-xxxxxx)

② Serial Number (xxxxxx-)

③ Tennant Serial number (000000-002140)

④ Tennant Serial number (002141-)

Fig. 4 - Oil Pan and Filter Group



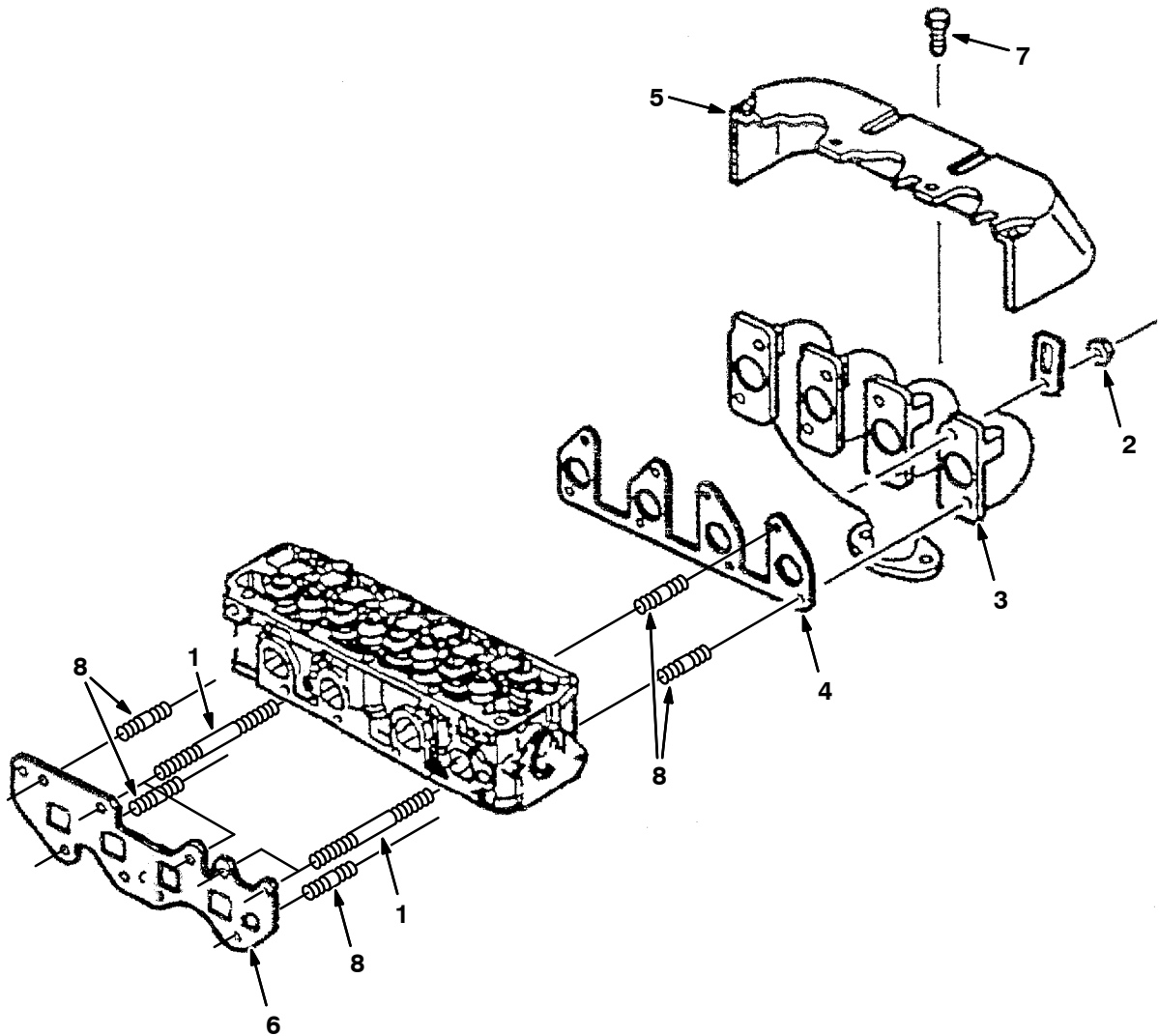
G, LP

Ref.	Part No.	Description	Qty.
▽	1 371960	Pan, Oil, W/ Baffle / Plug / Seal	1
▲	2 371987	Seal, Org, Press Switch / Drain Plug	1
▲	3 371992	Plug, Drain, Oil Pan, M14 X 1.5 X 12	1
	4 371961	① Bolt, M06 X 1.00 X 13mm	15
	4 384962	② Bolt, Pan, Oil	15
	5 371959	Gasket, Pan, Oil	1
	6 371972	Element, Fltr, Oil, Eng, Spin-On	4
	7 371973	Fitting, Fltr, Oil	1
▽	8 372560	Dipstick, Oil	1
▲	9 371995	Seal, Org, Cap, Fltr, Oil	1
	10 371940	Tube, Ds	1
	11 371941	Sealant, Tube, Ds	1
	12 371975	Valve, By-Pass, Oil Fltr	1
	13 371943	Plug, Hole, Core, Eng Block	1

① Serial Number (000000-xxxxxx)

② Serial Number (xxxxxx-)

Fig. 5 - Manifold Group



G, LP

Ref.	Part No.	Description	Qty.
1	372021	Stud, Manifold, M8 X 96	4
2	372049	Nut, Manifold, Exhaust, M8 X 1.25	8
3	372050	Manifold, Exhaust	1
4	372051	Gasket, Manifold, Exhaust	1
5	372052	Shield, Manifold, Exhaust	1
6	372053	Gasket, Manifold, Intake	1
7	372066	Bolt, Shield, Manifold, Exhaust	5
8	372020	Stud, Manifold, M8 X 28	13

Fig. 6 - Camshaft Group

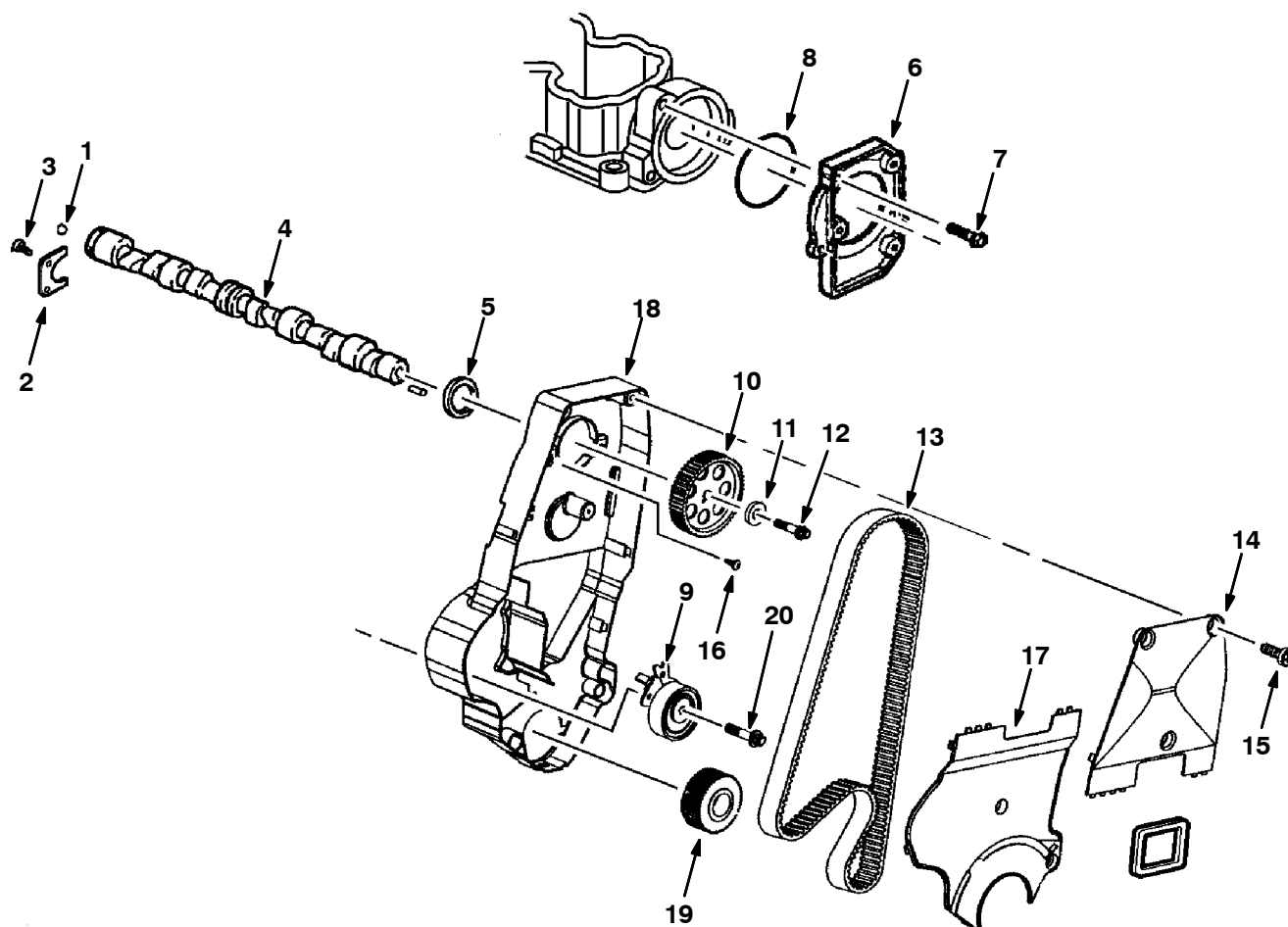
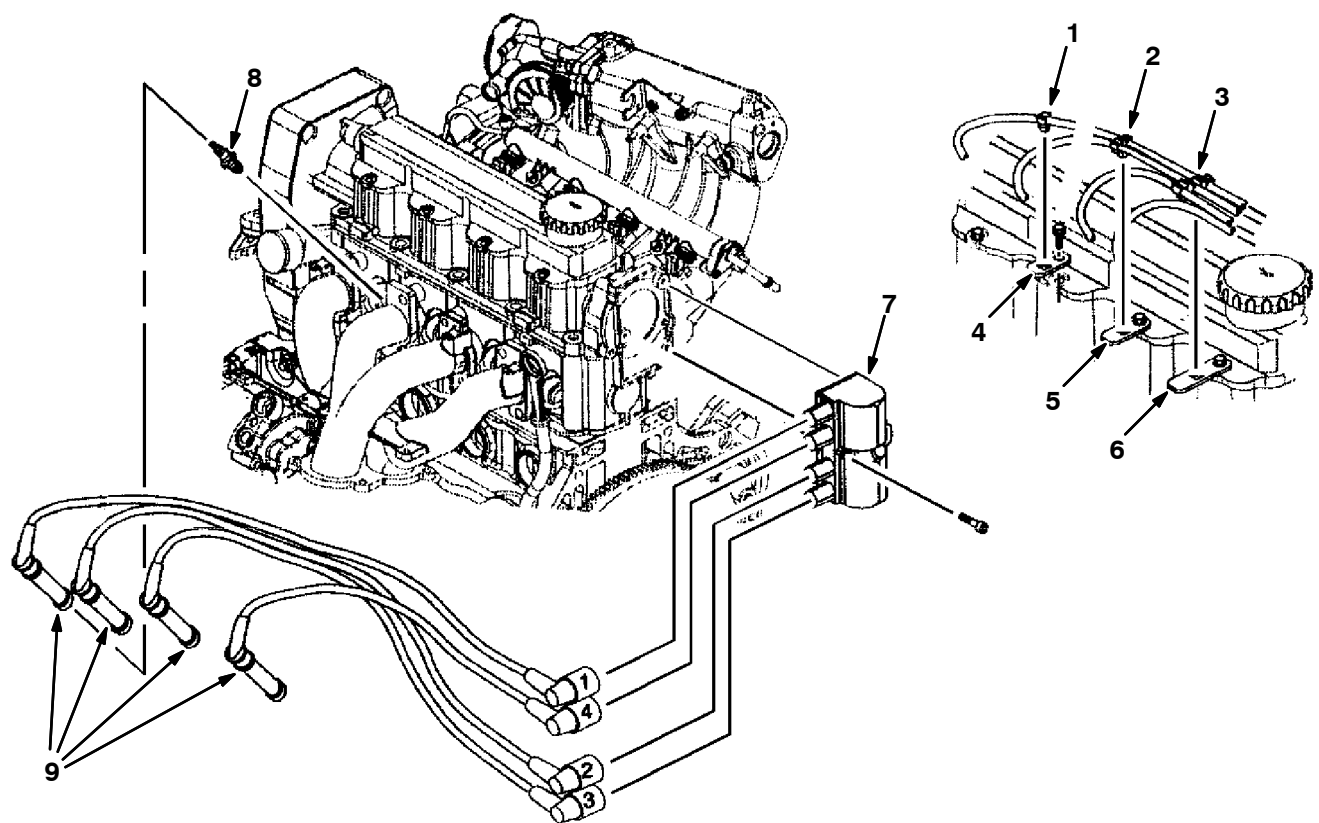


Fig. 6 - Cam Shaft Group

Ref.	Part No.	Description	Qty.
1	372009	Ball, Camshaft	1
2	372010	Retainer, Camshaft	1
3	372011	Bolt, Retainer, Camshaft, M6 X 1 X 16	2
4	372012	Camshaft	1
5	372013	Seal, Org, Bolt, Cover, Camshaft Hsng	1
6	372014	Cover, Hsng, Camshaft	1
7	372015	Bolt, Cover, Camshaft, M6 X 1 X 22	3
8	372016	Seal, Org, Bolt, Cover, Camshaft Hsng	1
9	9004674	Pulley, Tension, Belt, Timing	1
10	372040	Sprocket, Camshaft	1
11	372017	Washer, Sprkt, Camshaft	1
12	372041	Bolt, Sprocket, Camshaft, M10x1.25x60	1
13	1057029	Belt, Timing [Gm1.6L]	1
14	372043	Cover, Belt, Timing, Front	1
15	371961	Bolt, Eng Cover, M6 X 1 X 13	6
16	372046	Bolt, Tensioner, Timing Belt, M8x1.25x48	1
17	372044	Cover, Belt, Timing, Upper Front	1
18	372616	Housing, Camshaft	1
19	388552	Sprocket, Crankshaft	1
20	9004675	Bolt, Tensioner [GM]	1

Fig. 7 - Ignition Group



G, LP

Ref.	Part No.	Description	Qty.
1	372054	Retainer, Sparkplug, 1 Way	1
2	372055	Retainer, Sparkplug, 2 Way	1
3	372056	Retainer, Sparkplug, 3 Way	1
4	372057	Bracket, Retaining, Wire, Sparkplug	1
5	372058	Bracket, Retaining, Wire, Sparkplug	1
6	372059	Bracket, Retaining, Wire, Sparkplug	1
7	372060	Coil, Ignition	1
8	372575	Sparkplug	4
9	372603	Wire Set, Sparkplug [1.6]	1

SECTION 6

CONTENTS	PAGE
PART NUMBER TO PAGE NUMBER CROSS REFERENCE LIST	6-2
PART DESCRIPTION TO PAGE NUMBER CROSS REFERENCE LIST	6-14

CROSS REFERENCE

PART NUMBER TO PAGE NUMBER CROSS REFERENCE LIST

Part Number	Page Number	Part Number	Page Number	Part Number	Page Number
IB3614	4-10	06960	2-19	08875	2-111, 2-112
00500-15	4-8, 4-9, 4-11	06961	2-57, 2-61	09005	2-81, 2-83
00927	2-81, 2-83	06962	2-67, 3-85, 3-86	09007	2-95, 2-105, 2-109, 2-121
00954	2-125	06965	3-85	09010	2-69, 2-79, 2-91, 2-95, 2-97, 2-111, 2-115, 2-119, 2-123, 3-7, 3-11, 3-15
00960	2-57	06969	2-75, 2-85, 2-91	09011	2-93, 2-95
00966	4-10	06971	2-9	09028	2-85, 2-105, 2-109, 3-86
01316	3-3, 3-79, 3-81	06972	2-25, 2-91	09029	2-95
01493	2-11	06988	2-21	09037	2-37
01681	2-19	07255	2-27, 2-29, 2-31	09081	2-103, 2-107
01683	2-27, 2-33, 2-79, 3-3, 3-19, 3-25, 3-29, 3-33, 3-37, 3-41, 3-45, 3-51, 3-55, 3-79, 3-81	07259	2-85, 2-89, 2-91, 2-101	09145	2-57
01684	2-5, 2-7, 2-87, 2-89, 2-91, 2-95, 2-97, 2-112, 2-117, 2-119, 2-121, 3-3, 3-33, 3-45, 3-75, 3-77, 3-83	07449	2-101	09198	2-5, 2-79
01685	2-59, 2-61, 2-63, 2-69, 2-87, 2-89, 2-93, 2-95, 2-99, 2-101, 2-105, 2-109, 3-3, 3-7, 3-11	07514	3-19	09200	2-17, 2-23, 2-47, 2-117, 3-19, 3-25, 3-29, 3-33, 3-37, 3-41, 3-51, 3-55, 3-83
01686	2-9, 2-95, 2-97, 3-13, 3-85	07782	2-21	09206	3-21, 3-45
01714	2-77, 2-79	07786	2-79, 2-91, 2-105, 2-109	09228	3-75, 3-77
01760	2-17	07788	2-105, 2-109	09252	2-17, 2-79, 3-45
01762	2-81, 2-83, 3-7, 3-9	07790	2-67	09738	3-13, 3-45
02430	4-20	07791	2-39, 2-41, 2-145	09739	2-81, 2-83, 2-117, 3-13, 3-19, 3-25, 3-29, 3-37, 3-41, 3-51, 3-55, 3-59, 3-61, 3-63, 3-64, 3-65, 3-83
02706	4-7	07805	3-45	09740	2-9, 2-11, 2-17, 2-23, 2-63, 2-69, 2-85, 2-87, 2-91, 2-95, 2-105, 2-109, 2-111, 2-115, 2-121, 2-123, 2-125, 2-149, 3-3, 3-5, 3-21, 3-33, 3-45, 3-59, 3-61, 3-63, 3-75, 3-79, 3-81
02850	2-17, 2-23, 2-64, 3-21	08085	2-17	09741	2-85, 2-91, 2-93, 2-95
02931	2-101	08165	2-67	09744	2-112, 3-45, 3-83
02938	4-23	08166	2-59, 2-61	09767	2-93
03192	3-67, 3-86	08170	2-77	09832	2-63, 2-67
03495	2-99	08171	2-75	1002789	3-23, 3-25, 3-27, 3-29
04403	2-5	08175	2-81, 2-83, 2-91	1002898	3-21, 3-33
04414	2-11, 2-25, 2-99	08178	2-93	1002899	3-21, 3-33
04706	2-19	08179	2-77, 2-91, 2-93, 3-7, 3-11	1005086	3-23, 3-25, 3-27, 3-29
04733-10	2-93	08180	2-73	1005219	3-47
04733-12	2-85, 2-91	08182	2-79, 2-105, 2-109	1005255	3-21
06279	2-93	08236	2-85	1005302	3-19, 3-33, 3-47
06532	2-27, 2-29, 2-31, 2-37	08708	2-11, 2-17, 2-19, 2-21, 2-27, 2-33, 2-49, 2-51, 2-53, 2-55, 2-63, 2-67, 2-71, 2-77	1005435	3-21, 3-33, 4-23
06548	2-77	08709	2-9, 2-11, 2-23, 2-43, 2-45, 2-47, 2-49, 2-51, 2-53, 2-55, 2-57, 2-63, 2-69, 2-71, 2-77, 2-79, 2-105, 2-109, 3-15	1005506	3-19
06549	2-17, 2-27, 2-33, 2-71, 3-45, 3-75, 3-79	08711	2-25, 2-75	1005507	3-19
06927	2-23, 2-63	08712	2-15, 2-59, 2-87, 2-89, 2-91, 2-93, 2-95, 2-97, 2-117, 2-119, 2-121, 3-3, 3-75, 3-77	1005508	3-19
06928	2-9	08713	2-59, 2-61, 2-63, 2-69, 2-79, 2-81, 2-83, 2-89, 2-93, 2-95, 2-97, 2-99, 2-101, 2-103, 2-105, 2-107, 2-109, 2-111, 2-115, 2-123, 3-7, 3-13, 3-15	1005552	3-19, 3-23, 3-25, 3-27, 3-29, 3-33, 3-47
06929	2-17	08714	2-9, 2-101	1006400	3-33
06938	2-27, 2-33	08716	2-59, 2-61, 2-87, 2-91, 2-95, 2-105, 2-109, 2-117, 2-119, 2-121, 3-3	1006401	3-19
06939	3-75, 3-79			1006410	2-119
06942	2-11, 2-21, 2-27, 2-29, 2-31, 2-33, 2-37, 2-39, 2-63, 2-71, 2-77			1006415	3-21, 3-47
06943	2-17, 2-25, 2-49, 2-53, 2-63				
06946	2-29, 2-31, 2-37				
06949	2-45				
06955	2-77, 2-115, 2-123				
06956	2-43, 2-45				

CROSS REFERENCE

Part Number	Page Number	Part Number	Page Number	Part Number	Page Number
1006416	3-33	1016837	3-3	1020163	2-87
1006447	3-19	1017101	2-112	1020166	1-1, 2-87
1007482	2-63, 2-69	1017112	2-5	1020168	2-11, 3-45
1008640	2-57	1017141	2-189	1020186	2-23
1008916	2-21	1017218	2-11, 2-17, 2-23, 2-95, 2-97, 2-111, 2-115, 2-121, 2-123, 2-125, 2-149, 3-5, 3-21, 3-33, 3-45, 3-59, 3-61, 3-63, 3-79, 3-81	1020207	2-87
1010614	3-51, 3-55			1020208	2-87
1010668	3-25, 3-29, 3-33, 3-37, 3-41, 3-51, 3-55, 3-77, 3-81			1020263	2-121
1010684	3-19			1020320	2-125
1010836	3-19	1017248	3-61, 3-64	1020394	2-149, 4-15
1011018	2-187	1017250	3-63, 3-65	1020428	2-112
1011019	2-187	1017368	2-5, 2-7	1020434	2-189
1011020	2-187	1017386	3-47	1020487	2-17
1011107	2-43, 2-45	1017413	3-47	1020526	3-83
1011216	2-59, 2-61	1017415	3-47	1020540	2-11
1011353	2-25	1017868	1-1, 2-99	1020548	2-105
1011403	3-47	1017903	2-73	1020602	2-59
1011412	3-19, 3-25, 3-29, 3-35, 3-37, 3-39, 3-41, 3-51, 3-53, 3-55	1017947	2-47	1020744	2-115, 2-123
1011521	3-23, 3-27, 3-47	1017969	2-59	1020904	2-11
1011780	2-49, 2-51, 2-53, 2-55	1017978	2-49	1020949	2-49, 2-51, 2-53, 2-55
1011799	2-63	1017987	2-53	1021019	2-81, 2-83
1011837	3-49, 3-75, 3-77, 3-79, 3-81	1018059	2-64	1021210	3-5, 4-3
1011885	3-5	1018097	3-21	1021290	2-71
1011895	2-43, 2-45	1018098	3-19, 3-33	1021325	3-3
1011899	2-49, 2-51, 2-53, 2-55	1018142	2-59, 2-61	1021404	2-101
1012160	2-43	1018155	4-23	1021439	3-11
1012248	2-45	1018208	2-9	1021473	3-11
1013031	2-59, 2-61	1018333	3-25	1021497	2-101
1013086	2-43, 2-45	1018463	2-63	1021514	2-49, 2-53
1013117	2-61	1018499	3-19, 3-75, 3-79	1021546	2-101
10137	1-1, 2-71	1018776	2-17	1021564	3-11
1013902	3-21	1018780	3-21	1021579	1-1, 2-147
1014082	3-21	1018883	3-19	1021617	3-11
1014563	2-57, 2-63, 2-67, 2-125, 3-67	1018884	3-19	1021789	2-59
1014575	3-21	1018938	3-15, 4-13	1021794	3-7
1014705	2-85	1018939	2-27, 2-33	1021834	2-11
1014747	2-69	1019031	2-105	1021878	3-21, 3-33
1014929	3-33	1019146	2-85	1021881	3-75, 3-79
1014971	4-23	1019225	2-9	1021920	2-121
1014974	3-5, 3-51, 3-55, 4-23	1019228	2-17	1021991	2-149
1014986	3-33	1019250	3-79, 3-81	1022003	2-87
1015033	3-5	1019265	2-63, 2-69	1022004	2-23
1015041	2-63, 2-69	1019273	2-63	1022031	2-77
1015044	3-3	1019295	1-1	1022069	2-21
1015045	2-117, 2-119, 3-13, 3-35, 3-39, 3-49, 3-53	1019394	2-43	1022088	2-117, 2-119
1015047	3-33	1019416	2-43	1022105	2-17
1015067	3-25, 3-29, 3-37, 3-41, 3-55	1019424	2-115, 2-123	1022106	3-13
1015547	2-27, 2-29, 2-31, 2-41	1019445	3-59, 3-61, 3-63	1022111	3-7
1015897	2-31	1019526	2-97	1022113	2-59
1015930	2-27, 2-29, 2-34, 2-39	1019636	3-5	1022135	3-7
1016354	4-23	1019646	3-31	1022137	2-115, 2-123
1016560	2-31, 2-41	1019647	3-64, 3-65	1022140	2-79
1016624	2-59	1019939	2-43	1022176	2-111
		1019940	2-43	1022182	2-112
		1019968	2-63, 2-67	1022188	3-7
		1019971	3-59, 3-61, 3-63	1022229	3-5
		1020002	2-85	1022243	2-77
		1020003	2-85	1022260	3-7
		1020065	2-121	1022265	3-67
				1022266	3-67
				1022276	3-67

CROSS REFERENCE

Part Number	Page Number	Part Number	Page Number	Part Number	Page Number
1022302	3-7	1024131	2-111	1025619	2-121
1022318	3-13	1024138	2-17	1025620	2-121
1022345	2-79	1024141	2-182	1025663	3-85
1022359	2-87	1024175	2-111	1025736	2-17
1022363	2-87	1024177	2-23	1025806	2-23
1022364	2-27, 2-29	1024217	2-111	1025826	2-87
1022370	2-121	1024237	3-33	1025872	2-125
1022377	2-125	1024249	2-73	1025887	2-125
1022545	2-101	1024251	2-143, 4-7	1025888	2-125
1022668	2-95	1024260	2-19, 4-19	1025916	2-17
1022683	2-95	1024274	2-71	1025968	2-89
1022699	2-11	1024309	2-97	1025990	3-17
1022736	2-77	1024407	2-89, 4-11	1025991	3-17
1022779	2-79	1024425	2-17	1025992	3-17
1022787	2-79	1024450	2-97	1026003	2-63
1022794	2-59	1024464	2-17	1026007	2-93
1022798	2-79	1024478	2-19	1026014	2-121
1022825	2-105, 2-109	1024500	2-23	1026025	2-77
1022831	2-99	1024535	2-115, 2-123	1026051	2-115, 2-123
1022846	2-103, 2-107	1024570	2-87	1026067	3-21
1022903	2-93	1024576	2-105, 2-109	1026074	3-19
1022978	2-109	1024586	1-1	1026080	2-81, 2-83
1023063	2-97	1024599	2-115, 2-123	1026101	2-89
1023081	2-145	1024648	2-93	1026119	3-15
1023239	2-99	1024658	2-95	1026130	2-91
1023288	2-25	1024695	2-19	1026142	2-123
1023306	2-105	1024764	2-137	1026150	2-9
1023307	2-109	1024853	2-125	1026195	2-97
1023314	2-109	1024891	2-125	1026222	2-5
1023334	2-95	1024934	2-47	1026223	2-5
1023464	2-13	1024977	3-85	1026316	2-121
1023476	2-101	1025005	1-2, 3-7	1026319	2-145
1023482	2-43, 2-45	1025041	2-91	1026352	2-81, 2-83
1023485	3-17	1025092	2-115	1026417	2-97
1023486	3-17	1025100	2-85, 2-91	1026550	2-43, 2-45
1023487	2-135	1025101	2-189	1026576	2-71
1023488	2-133	1025132	2-147	1026628	2-23
1023489	2-133	1025140	2-78	1026645	2-135
1023491	2-119	1025151	2-103, 2-107	1026664	2-43
1023493	2-111	1025159	3-5	1026665	2-23
1023497	2-111	1025178	2-101	1026726	2-23
1023499	2-17	1025196	2-23	1026743	3-75, 3-79, 4-21
1023502	2-115, 2-123	1025198	2-91	1026759	2-43, 2-45
1023508	2-111	1025229	2-43, 2-45	1026804	2-93
1023510	2-111	1025254	2-9	1026806	2-93
1023545	2-147	1025320	2-91	1026825	2-17
1023569	2-13	1025405	3-15	1026831	2-97
1023585	3-75, 3-79	1025435	2-11	1026900	2-97
1023606	2-135	1025445	3-17	1027099	2-63
1023607	2-135	1025449	2-115, 2-123	1027103	2-63
1023608	2-133	1025452	2-115, 2-123	1027108	2-95
1023609	2-133	1025460	2-101	1027143	2-95
1023617	2-81	1025480	2-115, 2-123	1027147	2-95
1023685	2-95	1025487	2-77	1027218	2-11
1023754	2-125	1025495	2-77	1027228	2-71
1023769	2-137, 2-139	1025544	2-137	1027233	2-79
1023853	2-63, 2-69	1025547	2-135	1027237	3-79, 3-81
1023879	3-67	1025548	2-137, 2-139	1027267	2-11
1023917	2-95	1025562	2-121	1027269	2-9
1023926	2-19	1025601	2-101	1027284	2-15

CROSS REFERENCE

Part Number	Page Number	Part Number	Page Number	Part Number	Page Number
1027290	1-1, 2-112	1028994	2-61	1031553	2-55
1027313	2-79	1029057	3-45, 3-79, 3-81	1031557	2-21
1027347	2-9	1029082	2-29, 2-31, 2-37	1031572	3-5
1027426	2-111	1029118	3-21	1031609	2-51
1027588	3-86	1029128	2-103	1031610	2-121
1027688	2-7	1029132	2-103	1031614	2-51, 2-55
1027697	2-5	1029153	3-79, 3-81	1031665	2-11, 2-15, 2-19
1027716	1-2, 3-7	1029155	3-79, 3-81	1031699	2-121, 4-3
1027719	1-1, 2-99	1029156	3-79, 3-81	1031796	4-21
1027798	3-61, 3-63, 3-64, 3-65	1029185	2-117	1031797	4-21
1027800	3-61, 3-63, 3-64, 3-65	1029293	2-45	1031798	4-21
1027810	2-85	1029295	2-45	1031799	4-21
1027850	3-86	1029362	2-15	1031800	4-21
1027856	2-49, 2-51, 2-53, 2-55	1029379	3-7, 3-9, 4-9	1031801	4-21
1027916	2-9	1029396	3-69, 3-71	1031802	4-21
1027926	3-11	1029399	3-79, 3-81	1031803	4-21
1027976	3-79, 3-81	1029497	3-5	1031823	1-1, 2-103, 2-107
1027978	3-79, 3-81	1029545	2-21	1031826	2-9
1028049	2-93	1029652	2-21	1031827	2-9
1028074	2-117	1029748	2-112	1031945	1-1, 2-99
1028136	2-61	1029790	3-79, 3-81	1032216	2-187
1028173	2-121	1029964	2-81, 2-83	1032242	2-57
1028205	2-119	1030017	2-11	1032323	2-51, 2-55
1028211	2-121	1030073	2-25	1032399	2-79
1028236	2-99	1030280	2-121	1032450	2-189
1028249	2-95	1030404	2-133	1032546	2-95
1028253	2-9	1030407	3-75, 3-77	1032701	2-119
1028270	3-17	1030441	4-24	1032743	2-81, 2-83
1028328	2-121	1030444	4-24	1032812	2-45
1028334	2-95	1030503	3-85	1032830	3-67
1028343	2-39	1030511	3-25, 3-29, 3-37, 3-41, 3-51, 3-55	1032831	3-67
1028374	2-99	1030515	3-85	1032869	3-83
1028412	2-23	1030522	3-85	1032884	3-83
1028433	1-1, 2-91	1030557	3-85	1033156	2-23
1028440	2-91	1030558	2-91	1033297	3-21
1028446	2-91	1030588	2-17, 2-23	1033428	2-57
1028495	2-89	1030593	2-11	1033644	1-1, 2-57
1028516	2-23	1030617	2-112	1033746	2-45
1028522	2-121	1030709	2-141	1033897	2-45
1028558	2-61	1030863	3-19	1033901	2-45
1028559	2-61	1030864	3-19	1033975	2-11
1028570	2-121	1030878	3-19	1034147	2-101
1028582	3-19	1030910	2-85	1034282	2-101
1028635	2-105, 2-109	1030911	2-85	1034655	2-45
1028690	2-115, 2-123	1030969	2-5	1034676	2-45
1028691	2-115, 2-123	1031011	1-1, 2-103, 2-107	1034764	2-13
1028697	3-5	1031017	2-189	1034765	2-13
1028701	2-115, 2-123	1031152	2-95	1034766	2-13
1028711	2-29	1031206	2-17	1034767	2-17
1028722	2-37	1031217	2-89	1034768	2-13
1028753	2-61	1031233	2-111	1034769	2-13
1028769	2-15	1031235	2-112	1034770	2-13
1028772	2-15	1031286	2-89	1034878	2-147
1028821	2-145	1031305	2-95	1035031	2-57
1028822	2-145	1031312	2-29, 2-31, 2-37	1035044	2-121
1028905	2-5	1031331	1-1, 2-99	1035068	2-21
1028924	2-45	1031351	2-95	1035133	3-88
1028929	2-61	1031413	2-85	1035214	2-69
1028972	2-107	1031439	2-25	1035222	2-63
1028979	2-107			1035530	2-57

CROSS REFERENCE

Part Number	Page Number	Part Number	Page Number	Part Number	Page Number
1035727	2-101	1040841	2-13	1050295	3-67
1035771	2-57	1040863	3-85	1050436	2-135
1035794	3-33	1040871	3-85	1050437	2-135
1035832	2-11	1041151	2-39, 2-41	1051026	2-5
1035976	2-64	1041152	2-39, 2-41	1052017	3-47
1035997	2-11	1041291	2-64	1052170	2-67
1036240	2-9	1041815	2-125	1052336	3-47, 4-23
1036710	2-135	1041822	2-15	1052726	3-45
1036801	3-33	1042003	2-115	1053078	3-45
1036892	2-15, 2-51, 2-55, 2-67	1042010	2-123	1053464	4-23
1036899	2-141	1042028	2-25	1053838	2-9, 3-13
1036939	2-137	1042046	2-119	1054382	2-69
1036965	3-17	1042499	2-7	1054558	2-55
1036997	2-117	1042500	2-7	1054776	4-23
1037011	3-15	1042504	2-7	1055106	2-25
1037032	4-23	1042710	4-24	1055139	2-83
1037042	2-141	1042711	4-24	1055170	2-37
1037346	2-67, 2-71	1042772	2-31, 2-41	1055377	2-57
1037355	2-67	1042963	2-89	1055381	2-57
1037749	3-88	1042968	3-7, 3-9	1055425	2-57
1037805	3-15, 4-17	1043322	2-69	1055588	2-141
1037809	3-43	1043481	2-29, 2-39	1055590	2-141
1037825	3-25, 3-29, 3-37, 3-41, 3-51, 3-55	1043866	3-47	1056195	3-85
1037940	2-73	1043897	2-67	1056232	2-31
1037970	2-21	1044342	3-33	1056233	2-37
1037971	2-21	1044343	3-33	1056241	2-61
1038074	2-117	1044393	3-45	1056300	2-41
1038115	3-11	1045272	3-15	1056355	2-51, 2-55
1038137	2-85, 2-105, 2-109, 3-11	1045415	2-67	1056566	2-25
1038159	4-23	1045419	2-67	1057029	5-11
1038258	2-81, 2-83	1045433	2-67	1057637	4-23
1038498	2-9	1045444	3-85	1058935	3-47
1038499	2-63	1045447	2-67	1058963	3-45
1038569	2-133	1045530	2-67	1058996	2-19
1038805	2-111, 2-112	1045759	2-141	1059091	1-2, 3-9
1039019	3-5	1045764	2-63, 2-67	1059092	1-2, 3-9
1039049	2-121	1045940	2-67	1059343	2-73
1039064	2-117	1045964	2-111, 2-112	1059372	3-47
1039072	2-121	1046022	2-25	1059391	3-47
1039091	2-9	1046039	2-67	1059640	2-5
1039348	2-95, 2-105, 2-109	1046090	2-21	1059671	2-75
1039357	3-33	1046173	3-45	1059677	3-45
1039396	2-87	1046798	2-121	1060130	2-9, 3-13
1039468	2-91	1046962	2-67	1060185	3-45
1039469	2-91	1046976	3-9	1060273	3-45
1039521	2-43	1046980	1-2, 3-9	1060291	3-45
1039652	2-121	1046995	3-9	1060292	3-45
1039697	2-121	1047002	3-9	1060517	4-23
1039757	2-111, 2-112	1047060	3-9	1060596	3-47
1040018	2-87	1047098	2-111, 2-112	1060624	3-45
1040098	2-97	1047169	2-11	1060693	3-47
1040318	2-145, 2-147	1047238	1-2, 3-9	1060695	4-23
1040467	2-19, 2-21, 2-64, 2-67, 3-45	1047295	2-11	1060719	3-45
1040524	2-5	1047625	4-17	1060791	2-19
1040633	3-83	1048474	2-111, 2-112	1060870	3-58
1040800	3-83	1048512	2-111, 2-112	1060871	3-58
1040834	3-13	1049254	3-33, 3-47	1060880	3-58
		1049259	3-33	1060881	3-58
		1049919	2-21	1060942	2-9
		1050003	2-189	1061045	3-51, 3-55

CROSS REFERENCE

Part Number	Page Number	Part Number	Page Number	Part Number	Page Number
1061973	2-73	16931	2-11, 2-17, 2-21, 2-23, 2-43, 2-45, 2-47, 2-49, 2-53, 2-57, 2-67, 2-69, 2-73, 2-77, 2-125	222322	2-5
1061974	2-75			222324	2-5
1062116	2-31, 2-41	16968	2-15	222325	2-5
1062403	3-47	17185	2-81, 2-83, 3-19	222326	2-5
1062566	2-9	17284	3-13	222327	2-5
1062804	3-45	17414	2-47	222375	3-51, 3-55
1062813	2-189	17461	2-85, 2-91, 2-105, 2-109, 3-11	222496	2-59, 2-61, 2-81, 2-83, 2-89
10632-17	3-64, 3-65, 3-67	17521	2-117	222505	2-59, 2-61, 2-95, 2-101
10632-19	3-19, 3-33	17980	2-19	222516	2-115, 2-123
10632-2	3-5	19064	2-63, 3-69, 3-75, 3-77	22290	2-19
10632-4	3-45	19065	2-17, 3-45	22297	2-63, 2-69
1063456	2-187	19066	2-17, 2-23, 2-57, 2-71, 3-45, 3-59, 3-61, 3-63, 3-64, 3-65, 3-75, 3-79	223054	2-93
1063457	2-187	19191	2-89, 3-7, 3-9	22308-6	2-47
1064440	2-189	19312	2-29, 2-31, 2-37	223080	2-17
1064661	2-189	19313	2-57, 3-67	223198	2-85, 3-85
1065342	2-189	19315	2-25, 2-29, 2-31, 2-37	223470	3-7
1065343	2-189	19317	2-29, 2-31, 2-37	223599	2-15
10832	2-25	19583	2-73	22609	4-11
10908	2-5	19760	2-47	22614	4-11
10917	4-21	20170	2-77	22615	4-11
11399	2-9, 2-97	20394	2-21, 3-79, 3-81	22790	4-3
11442-1	2-39, 2-41	20778	2-71	23146	2-9, 3-13
11842	2-79	20807	2-119	23156	2-47
11984	3-21	20833	1-1, 2-101	23285	4-3
12295	2-81, 2-83	20944	3-5	23498	2-115, 2-123, 2-125
12309	2-9, 2-95	20951	3-5, 4-23	23788	2-77
12317	2-9, 2-111, 3-13, 3-85	20952	3-5	24012	2-59, 2-61
12323	3-45	21168	2-23, 2-87, 2-95, 2-103, 2-107	24047	2-47
13048	2-41	21195	2-57	24105	3-3
130773	3-47	21196	3-85	24196	3-59, 3-61, 3-63, 3-64, 3-65
13534	2-81, 2-83	21197	2-43, 2-79, 2-89	24265	2-23, 3-3
13698	2-145	21198	2-143, 3-75, 3-77	24299	2-5, 2-7
13904	4-13, 4-15, 4-17	21601	2-99, 3-9	24339	2-73
13907	4-7, 4-15	21602	2-99	24358	2-121, 4-3
14432	2-49, 2-51, 2-53, 2-55	21603	2-99, 3-9	24543	3-5
14595-1	2-77	21606	2-99	24544	3-3, 3-19, 3-33, 3-47
14605	2-77	21623	2-95	24555	2-99, 2-101, 3-9
14838	2-5, 2-7	21657	4-20	24698	3-47
14877	3-3, 3-5, 3-19, 3-33, 3-47	21659	4-20	24928-1	2-47
150100	3-19	21851	2-17	24976	2-25
150208	3-73	21852	2-5	25014	2-61
150516	2-29, 2-39	21933	4-19	25046	2-89, 3-7, 3-9
150525	3-21	21934	4-19	25122	1-1, 2-147
150538	3-33	21935	4-19	25312	3-87
150540	3-33, 4-23	21955	4-9	25611	2-89, 3-7, 3-9
150709	3-33	21956	4-9	25686	2-81, 2-83
150713	3-33	21958	4-9	25735	2-101, 2-103, 2-107
15331	2-21	21960	4-11	26496	2-47
15539	2-5, 2-7	222027	2-91	27048	2-39, 2-43, 2-47
15543-2	2-49, 2-53	222210	2-91	27767	2-31, 2-41
15648	2-115, 2-123	222268	2-97	28854	4-9
15675	2-81, 2-83	222290	2-71	29557	3-11
15678	3-33	222320	2-5	29558	3-11
16213	2-79	222321	2-5	29584	2-93
16411	1-2			30407	2-63, 2-67
16412	1-2			31354	4-8, 4-9
16462	2-139			31375	4-8
16695	4-8, 4-9, 4-11				
16735	2-57, 2-121, 3-11				

CROSS REFERENCE

Part Number	Page Number	Part Number	Page Number	Part Number	Page Number
31376	4-11	35493	4-10	371868	2-25
31379	4-8	35707	2-47	371869	2-25
31383	4-8	35710	2-47	371870	2-25
31543	3-37, 3-51, 3-55	360023	2-75	371871	2-57
31613	1-1, 2-147	360074	2-75	371872	2-57
32126	2-73	360270	2-75	371876	2-25
32183	3-5	360271	2-75	371877	2-25, 2-39, 2-41
32483	2-17, 2-19, 2-27, 2-29, 2-31, 2-33, 2-37, 2-43, 2-45, 2-49, 2-53, 2-59, 2-61, 2-63, 2-67, 3-45	360272	2-75	371890	2-25
32485	2-25, 2-57, 2-61, 2-79, 2-85, 2-101, 2-143	360273	2-75	371931	5-5
32486	2-19, 2-25, 2-63, 2-75, 3-11	360274	2-75	371932	5-5
32490	2-11, 2-25, 2-29, 2-31, 2-37, 2-39, 2-63, 2-67, 2-71, 2-77, 2-79, 3-19, 3-21	360275	2-75	371933	5-5
32491	2-9, 2-11, 2-17, 2-19, 2-21, 2-23, 2-43, 2-45, 2-47, 2-49, 2-51, 2-53, 2-55, 2-57, 2-61, 2-63, 2-67, 2-69, 2-73, 2-77, 2-79, 2-81, 2-83, 2-85, 2-91, 2-93, 2-111, 2-115, 2-119, 2-121, 2-123, 2-145, 2-147, 3-11, 3-13, 3-15, 3-67, 3-75, 3-79, 3-83	360276	2-75	371934	5-5
32492	2-9, 2-17, 2-43, 2-47, 2-61, 2-67, 2-79, 2-89, 2-101, 2-111, 3-7, 3-9, 3-67, 3-75, 3-77, 3-85, 3-86	360801	2-105, 2-109, 2-121	371935	5-5
32493	2-9, 2-25, 2-95	360802	2-75	371936	5-5
32509	4-23	360824	3-83	371937	5-5
32716	2-47, 2-57	360973	2-112	371938	5-5
32746	2-5, 2-7	361047	3-17	371940	5-8
32747	2-5	361071	2-15	371941	5-8
32981	2-43, 2-45, 2-125	361073	2-15	371942	5-5
32982	3-45	361075	2-15	371943	5-8
32983	2-17, 2-57	361339	2-67, 2-77, 2-79, 2-87, 2-91, 3-19, 3-21	371944	5-5
32987	2-73	363162	2-99	371945	5-5
32988	2-57	36328	2-95, 2-105, 2-109	371946	5-5
331470	3-88	363301	2-99	371947	5-7
331471	3-88	363458	2-9	371948	5-7
331472	3-88	363976	2-11, 2-57	371949	5-7
331473	3-88	364347	2-77	371950	5-7
331475	3-88	364441	2-99, 3-15	371951	5-7
33295	3-3	364749	2-17	371952	5-7
33373	2-101	364864	2-77	371954	5-3
33580	4-5	364948	2-77	371955	5-3
33671	2-71	364948	2-77	371956	5-3
33932	2-23, 2-79, 2-103, 2-107, 3-3, 3-45	365009	2-139	371957	5-3
34178	4-5	365164	2-49, 2-53	371958	5-3
34359	3-15	36643	2-47, 2-79, 2-125	371959	5-8
34390	2-89	36644	2-85	371960	5-8
34411	2-9, 3-13	367770	2-93, 3-75, 3-77	371961	5-8, 5-11
		367771	2-95	371962	5-5
		367949	2-111, 2-112	371963	5-5
		368391	2-17	371964	5-5
		36845	3-11	371965	5-5
		369359	3-7, 3-9, 3-85	371966	5-5
		369704	2-71	371967	5-5
		369745	2-49, 2-51, 2-53, 2-55	371968	5-5
		369746	1-1, 2-49, 2-51, 2-53, 2-55	371969	5-5
		369747	2-49, 2-51, 2-53, 2-55	371970	5-5
		370091	2-5	371971	5-5
		370095	2-5	371972	1-1, 2-25, 5-8
		370100	2-99	371973	5-8
		371527	2-57	371975	5-8
		371770	2-39, 2-41	371976	5-5
		371790	3-88	371978	5-5
		371854	2-51, 2-55	371979	5-5
		371855	2-25	371980	5-7
		371860	2-25, 2-59, 2-61	371981	5-7
		371861	2-59, 2-61	371983	5-7
		371863	2-57	371984	5-7
		371865	2-57	371986	5-7
		371866	2-25	371987	5-7, 5-8
				371988	5-7

CROSS REFERENCE

Part Number	Page Number	Part Number	Page Number	Part Number	Page Number
371990	5-3, 5-7	372053	5-9	372567	5-7
371991	5-7	372054	5-12	372569	2-33
371992	5-8	372055	5-12	372572	5-7
371993	5-7	372056	5-12	372573	5-3
371994	5-7	372057	5-12	372574	5-3
371995	5-8	372058	5-12	372575	1-1, 5-12
371996	2-25, 5-7	372059	5-12	372576	2-33
371997	5-7	372060	5-12	372577	2-33
371998	5-7	372066	5-9	372579	2-33, 2-37
371999	5-3, 5-5	372235	2-187	372580	2-33
372000	5-7	372236	2-187	372582	2-33
372001	5-7	372237	2-187	372603	5-12
372002	2-25, 5-7	372440	1-1, 2-43, 2-45	372605	2-33
372003	5-7	372470	2-29, 2-31, 2-37	372606	2-33
372004	5-7	372482	2-33	372607	2-33
372005	5-7	372484	2-33	372608	2-33
372007	5-3	372486	2-27	372609	2-33
372008	5-3	372489	2-27	372610	2-33
372009	5-11	372491	2-59	372611	2-33
372010	5-11	372493	2-27, 2-33	372612	2-33
372011	5-11	372497	2-34	372613	2-33
372012	5-11	372498	2-33	372615	1-1, 2-33, 2-39
372013	5-11	372500	2-33	372616	5-11
372014	5-11	372501	2-34	372857	2-33
372015	5-11	372503	2-33	372858	2-27
372016	5-11	372506	2-33	372862	2-25
372017	5-11	372507	2-33	372863	3-88
372018	5-3	372510	2-33	372882	5-3
372019	5-3	372511	2-33	372898	2-33
372020	5-9	372512	2-33	372953	2-25
372021	5-9	372514	2-33	373217	4-5
372022	5-3	372515	2-33	373226	4-5
372023	5-3	372517	2-33	373236	4-5
372024	5-3	372518	2-33	373260	4-5
372025	5-3	372523	2-33	373291	4-5
372026	5-3	372528	2-33, 2-39	373297	4-5
372027	5-3	372529	2-39, 2-41	373298	4-5
372028	5-3	372534	2-27, 2-29, 2-37	373299	4-5
372029	5-3	372537	2-27, 2-33	373317	4-7
372030	5-3	372539	2-39, 2-41	373327	4-7
372031	5-3	372541	2-25	373346	4-7
372032	5-3	372542	2-27	373347	4-7
372033	5-3	372543	2-27, 2-29, 2-31, 2-37	373348	4-7
372034	5-3	372544	2-27, 2-29, 2-31, 2-33	373389	4-7
372035	5-3	372545	2-27, 2-29, 2-31	373391	4-7
372036	5-3	372546	2-27	373393	4-7
372037	5-3	372547	2-27, 2-29, 2-31, 2-33, 2-37	373394	4-7
372038	5-3			373395	4-7
372039	5-3	372548	2-29, 2-31, 2-33, 2-37	373398	4-7
372040	5-11	372549	2-27, 2-29, 2-31, 2-33, 2-37	373402	4-7
372041	5-11			373413	4-7
372043	5-11	372550	2-27, 2-29, 2-31, 2-33, 2-37	373427	4-7
372044	5-11			373429	4-7
372046	5-11	372554	2-25	373434	4-7
372047	5-3	372556	2-25	373493	4-7
372048	5-3	372557	2-57	373494	4-7
372049	5-9	372558	2-33	373631	4-15
372050	5-9	372560	5-8	373633	4-13, 4-17
372051	5-9	372563	2-27	373640	4-13, 4-15, 4-17
372052	5-9	372566	2-27	373642	4-13, 4-15, 4-17

CROSS REFERENCE

Part Number	Page Number	Part Number	Page Number	Part Number	Page Number
373646	4-13, 4-15, 4-17	384964	5-5	39308	2-105, 2-109
373647	4-13, 4-15, 4-17	384966	5-7	39311	2-11, 2-57
373648	4-13, 4-15	384968	5-7	393129	2-97
373656	4-13, 4-17	384970	2-39, 2-41	393135	2-103, 2-107, 2-115, 2-123, 3-83
373657	4-13, 4-15, 4-17	384971	2-39, 2-41	393209	2-57
373658	4-13, 4-15, 4-17	384972	2-29, 2-31, 2-37	393215	2-73
373661	4-13	384973	2-39, 2-41	393255	3-13
373662	4-13, 4-17	384974	2-29, 2-31, 2-37	39349	2-11, 2-57, 2-73, 2-79, 2-97, 2-105, 2-109, 2-115, 2-123
373663	4-13, 4-15, 4-17	384975	2-39	39350	2-73
373664	4-13, 4-15, 4-17	384976	2-37	394916	2-187
373665	4-15	384977	2-39, 2-41	394921	2-187
373666	4-15	384978	2-39, 2-41	39527	4-8
373667	4-15	384979	2-39, 2-41	39534	2-125
373668	4-15	384980	2-37	395973	2-149, 3-15
373669	4-15	384983	2-39	395974	2-149, 3-15
373670	4-13, 4-15	384984	2-39, 2-41	396221	2-133
373671	4-15	384985	2-29, 2-31, 2-37	396255	2-135
373672	4-13, 4-15, 4-17	384986	2-39, 2-41	396273	2-135
373673	4-13, 4-15	384990	2-187	396278	2-139
373674	4-11	384991	2-37	396438	2-135
373678	4-7	384992	2-29, 2-31	396476	2-149, 3-15
373679	4-7	384995	2-29, 2-31, 2-37	397648	3-75, 3-77
373680	4-7	384996	2-37	397826	2-97
373681	4-7	384997	2-187	39785	2-57
373683	4-17	384998	2-187	397914	2-5
373684	4-17	384999	2-187	397974	2-5
373685	4-17	385009	2-45	39810	2-25
373686	4-17	385029	2-25	39811	2-85
374560	2-73	385644	3-23, 3-25, 3-35, 3-49, 3-51, 3-75, 3-79	398279	2-49, 2-51, 2-53, 2-55
374563	2-73	385685	2-112, 2-121, 3-5	398468	2-43, 3-19
375321	3-79, 3-81	386088	2-79, 2-105, 2-109	398474	3-19
375322	3-3	386264	2-99	398500	3-75, 3-79
37555	4-8, 4-9, 4-11	386298	2-99, 3-9	398501	2-15
37616	4-5	386652	3-5	399249	2-5
377349	2-111, 3-3	387237	2-99	40362	2-147
377537	1-2	387281	2-137	40625	2-145
377538	1-2	387433	2-99	40678	2-145
377540	1-2	387500	2-99	41130	2-125
37756	4-5	388552	5-11	41139	2-23
379030	2-91, 2-93	38968	4-5	41141	2-9, 2-95
379609	2-73, 4-5	39005	2-93	41142	2-57
379870	2-95, 2-105, 2-109	390994	2-111	41169	2-79
381502	2-77, 2-93	391368	2-21	41178	2-17, 2-23, 2-64, 2-67
381854	2-139	391804	2-95	41185	2-95, 2-105, 2-109
381866	2-139	391957	2-181	41186	2-57, 2-79, 2-115, 2-123, 2-125, 3-11
382099	2-85	39210	2-83, 2-149, 3-15	41187	2-61, 2-79, 2-105, 2-109
382224	2-77, 2-93	392171	2-15	41295	3-3, 3-5
382320	2-111, 2-112, 2-121, 3-87	392609	2-125	41315	2-117
382516	2-15	392629	2-43	41346	3-11
38255	4-5	392645	2-47	41359	3-45
38263	4-11	39277	2-9, 2-11, 2-43, 2-45, 2-47, 2-49, 2-51, 2-53, 2-55, 2-63, 2-67, 2-115, 2-123, 2-145, 2-147	41361	2-25
383165	2-15			41399	2-79
383912	2-43			41430	2-47, 2-63, 2-67, 2-145, 3-67, 3-85
384418	2-23, 2-103, 2-107			41445	2-105, 2-109
384419	2-23	39278	2-79		
384442	2-57, 2-59, 2-61	39279	2-77		
384961	5-5	39281	2-101		
384962	5-8	39283	2-11, 2-25, 2-67		
384963	5-5	39284	2-59, 2-61		

CROSS REFERENCE

Part Number	Page Number	Part Number	Page Number	Part Number	Page Number
41579	2-5, 4-23	51176	2-25	57223	2-141
41619	2-85, 2-91, 2-93, 2-105, 2-109	51305	2-27, 2-29, 2-34, 2-39, 2-63, 2-69	57248	3-33
42011	2-57	51338	2-73	57297	2-47
42120	2-85, 2-91	51339	2-73	57315	2-73
42133A	3-3, 3-19, 3-33, 3-47	51754	2-137	57702	3-85
42180	2-79	51787	2-145	57769	3-75, 3-77
42223	2-73	51824	2-85	57804	2-71, 2-187
42226	2-125, 2-149, 3-15	51839	2-27, 2-29, 2-31, 2-34, 2-39, 2-41	578060000	3-73
42467	2-79	52405	4-5	578061000	3-73
43555	2-115, 2-123	53076	2-143	578063000	3-73
43844	2-27, 2-29, 2-34, 2-39, 2-63, 2-64, 2-69, 2-119, 3-3, 3-5, 3-33, 3-47	53400-1	2-47	578064000	3-73
44868	2-81, 2-83, 2-89, 2-143, 2-149, 3-15	53466	2-9, 2-11, 2-63, 2-71, 2-145, 3-21	578066000	3-73
44869	2-89, 2-143, 2-147, 3-15	53485	4-10	578071000	3-71
44961	4-23	53782	2-95	578072000	3-71
45261	2-95	53947	2-79	578074000	3-73
45622	4-5	53953	2-79	578077000	3-73
45623	4-5	54017	2-133	578078000	3-73
45628	4-8, 4-9, 4-11	54051	2-73	578091000	3-73
46236	3-61, 3-63	54052	2-73	578094000	3-73
46314	2-27, 2-33	54087	2-73	578123000	3-73
46480	2-149	54095	4-10	578124000	3-73
46481	2-145	54205	2-79	578125000	3-73
46482	2-147, 2-149	54274	2-63, 2-67, 2-125	578126000	3-73
46559	2-79	54275A	2-125	578143000	3-73
46563	2-77	54333	2-29, 2-39, 2-43, 2-45, 2-71, 2-119, 3-13, 3-19, 3-23, 3-25, 3-27, 3-29, 3-33, 3-35, 3-37, 3-39, 3-41, 3-47, 3-49, 3-51, 3-53, 3-55, 3-75, 3-77, 3-79	578154000	3-73
46800	3-7	54390	2-75	578155000	3-73
47504	3-15	54607	2-77	578160000	3-71
47512	2-143	54615	2-121	578161000	3-73
47513	2-143	54620	2-89	578164000	3-73
47522	2-73	54655	2-79	578214000	3-73
47585	2-19	54861	2-125	578228000	3-73
47719	3-13	55272	3-61, 3-63, 3-64, 3-65	578276000	3-71
47801	2-73	55455	2-147	578318000	3-71
48079	2-79	55586	2-81, 2-83, 2-149, 3-15	578439	3-73
48126	2-45	55685	2-147, 3-15	578820000	3-71
48267	2-43	55845	3-69	578821000	3-73
48610	3-75, 3-77	55926	4-7	579112	3-73
48790	3-47	56078	2-81, 2-83	57946	2-137
48813	4-10	56185	2-19	58311	2-77
48985	2-85, 3-11	56186	3-19, 3-33, 3-45, 3-75, 3-79	58366	2-69
48996	2-57	56690	2-19, 2-147, 3-15, 3-17	58494	2-17
48998	2-57	56692	3-7	58589	2-47
49145	2-75	56820	2-19, 2-149, 3-15	58590	2-47
49266	2-15, 2-27, 2-29, 2-67, 2-73, 2-83, 2-141, 3-19, 3-64, 3-65	56821	3-7, 3-9	58592	2-147
49694	2-89	56835	2-19	58819	2-9, 2-11, 2-78
49697	2-103, 2-107	56976A	2-47	58842	2-73
49800	2-17, 2-63	56992	2-15	58979	2-89, 2-121
49933	2-125, 2-149	57189	2-125	59009	2-77
50178	3-13			59156	2-47, 3-11
50335	2-25, 2-79			59194	2-105
50544	2-117			59195	2-109
50901	3-47			59378	4-10
51109	2-77			59577	2-19
				59633	3-11
				59668	2-78
				60090	3-15
				602036000	3-73
				60295	2-71
				607775	4-23
				61212	3-75, 3-77

CROSS REFERENCE

Part Number	Page Number	Part Number	Page Number	Part Number	Page Number
61490	4-8, 4-9	70717	2-19	74250	4-8, 4-9, 4-11
61869	2-31	71100	2-93	74440	2-79
62471	2-145	71101	2-93	74455	2-63, 2-145
62595-15	2-45	71340	2-73	75456-3	2-125
630164	3-47	71341	2-73	75456-4	2-125
63175-1	3-11	71367	2-77	75968	2-19
63233	3-11	71369	2-85	760740	2-95
63234	2-79	71579	2-9, 2-95	76099	2-87, 3-21, 3-25, 3-29, 3-37, 3-41, 3-51, 3-55
63244-2	3-3	71607	2-105, 2-109	761490	2-9, 3-13
63245-1	3-19, 3-29, 3-41, 3-55	71726	2-147	762249	3-19
63378	2-47	71727	2-149	762282	2-31, 2-41
63430	3-69	71729	2-81, 2-83, 4-8	762514	2-71
63448	3-69	71735	2-135	763090	2-85
63451	3-69	71741	2-135	763114	3-19
63468	2-101	71868	3-11	763115	3-64, 3-65
63810	2-27, 2-29, 2-31, 2-34, 2-39, 2-41, 2-117, 2-119, 3-3, 3-5, 3-13, 3-23, 3-25, 3-35, 3-37, 3-39, 3-49, 3-51, 3-53, 3-75, 3-79, 3-81	71869	3-11	763116	3-19, 3-25, 3-37
63923	4-20	71874	3-11	76426	2-121
63987-1	2-119, 3-47	71941	2-21	76570	2-115, 2-123
64425	2-101, 2-103, 2-105, 2-107, 2-109, 3-7	72926	2-73	76888	2-17
64743	3-19	72968	3-47, 3-69, 3-75, 3-77	76958	2-57
64778	3-47, 3-79, 3-81	72970	2-19	769785	3-79, 3-81
65145-1	2-143	73027	2-19	77003	4-15
65180	2-101	73260	3-3, 4-20	77005	4-13, 4-15, 4-17
65197	2-135	73281	2-73	77006	4-15
65215	2-147	73342	4-3	77097	2-89, 2-93, 2-105, 2-109, 2-149, 3-11
65230	4-9	73411	2-79	77098	2-85, 2-91, 3-11
65241	4-8	73433	3-3	77221	2-189
65340	3-73	73471	2-27, 2-29, 2-34, 2-39, 2-63, 2-69	77347	2-9
65341	3-71	73736	2-15	77488	2-93
65342	3-75, 3-77	74027	2-97	78122	2-47, 3-75, 3-77
65441	2-79	74077	2-23	78398	3-3, 4-3
65580	3-69, 3-75, 3-77	74090	2-115, 2-123	78829	4-3
65581	3-47	74094	4-8, 4-9, 4-11	78830	4-3
65582	3-73	74095	4-8	78833	4-3
65610	3-73	74098	4-8, 4-11, 4-15	78836	4-3
65695	2-81, 2-83	74099	4-8	78838	4-3
67004	3-69, 3-75, 3-77	74100	4-8, 4-9	78839	4-3
67555	2-85	74101	4-11	78840	4-3
67767	2-39, 2-63, 2-79, 2-121	74122	4-5	78841	4-3
67811	2-143	74123	4-5	78842	4-3
68866	2-79	74125	4-5	78843	4-3
68869	2-71	74165	4-5	78875	4-20
69173	2-89, 2-149	74166	4-5	78950	4-21
69582	2-77	74167	4-5	78951	4-21
69785	2-111	74168	4-5	78952	4-21
70096	4-7	74180	4-7	79273-1	3-23, 3-25, 3-27, 3-29
70100	4-7	74183	4-19	79273-2	2-117, 2-119
70157	2-11	74185	4-19	79380	2-125
70563	2-81, 2-83	74193	4-19	79381	2-59, 2-61, 2-63, 2-69, 3-69
70622	2-19	74196	4-19	79484	3-3
70623	2-19	74222	4-19	79497	3-3
70624	2-89	74225	4-7	79506	2-115, 2-123
70709	2-19	74226	4-7	79729	4-5
		74232	4-19	79828	4-5
		74233	2-125, 4-10	80288	2-11
		74237	4-7	80395	2-99, 2-115, 2-123
		74243	4-19	80409	2-101
		74244	4-19		
		74245	4-19		

CROSS REFERENCE

Part Number	Page Number	Part Number	Page Number	Part Number	Page Number
80950	2-101	9003058	2-95	9007088	2-57
81582	2-97	9003059	2-95	9007131	3-59
81784	2-105, 2-109	9003060	2-93	9007142	2-143
81952	2-101	9003061	2-89	9007380	1-1, 2-41
82727	2-11	9003068	2-112	9007381	1-1
82839	3-13	9003069	2-111	9007382	1-1
83578	2-27, 2-29, 2-34, 2-39	9003070	2-112	9007423	2-37
83874	1-1, 2-99	9003071	2-111	9007424	2-37
83879	2-79	9003072	2-121	9007513	2-9
84170	2-79	9003134	3-69	9007552	2-41
84597	1-2	9003135	3-85	9007553	2-41
86508	3-3	9003139	3-79	9007882	3-45, 4-23
86636	2-121	9003142	3-86	9007883	4-23
86659	2-75	9003143	3-83	9007914	2-15
86751	2-77	9003247	2-89	9008197	2-25, 5-7
86759	3-7	9003249	2-89		
86767	3-69	9003282	3-81		
86866	2-85, 2-91, 2-93	9003313	2-121		
87536	2-15	9003345	5-3		
87631	2-81, 2-83	9003390	2-29, 2-31		
87730	2-43	9003391	2-37		
87738	2-69	9003422	2-11		
87816	2-105, 2-109	9003423	2-11		
87866	1-1, 2-15	9003425	2-11		
9000355	2-43, 2-45	9003426	2-11		
9000845	3-63, 3-65	9003428	2-11		
9000846	3-61, 3-64	9003429	2-11		
9000879	3-61, 3-63, 3-64, 3-65	9003431	2-11		
9001314	3-67	9003432	2-11		
9001316	3-87	9003433	2-11		
9001321	3-59	9003455	2-125		
9001327	3-61	9003461	2-125		
9001331	3-63	9003610	2-45		
9001717	3-65	9003793	2-115		
9001718	3-64	9003794	2-123		
9001915	2-15	9003797	2-121		
9002380	2-11	9003832	2-61		
9002381	2-11	9003926	3-88		
9002391	2-15	9004118	2-111		
9002392	2-15	9004493	2-99		
9002393	2-63	9004514	4-24		
9002394	2-59, 2-61	9004515	3-33, 4-24		
9002395	2-43	9004674	5-11		
9002398	2-147	9004675	5-11		
9002401	2-9	9004880	2-15		
9002409	2-11	9004983	2-61		
9002436	2-15	9006257	3-88		
9002437	2-15	9006334	2-9, 3-13		
9002553	1-1	9006386	2-83		
9002554	1-1	9006398	2-81, 2-83		
9002555	1-1	9006562	2-141		
9002613	1-1	9006618	2-37		
9002670	2-111	9006619	2-31, 2-37		
9002684	2-125	9006620	2-41		
9002708	4-3	9006634	2-25		
9002709	4-3	9006635	2-25		
9003008	4-24	9006811	2-67		
9003009	4-24	9006813	2-67		
9003055	2-97	9006895	2-25		
9003057	2-103, 2-107	9006917	2-57		

PART DESCRIPTION TO PAGE NUMBER CROSS REFERENCE LIST

A

Ace, Thrust, Motor, Hyd [En], 4-9, 4-11
 Actuator, Valve, By-Pass [En], 4-7
 Adapter [1.6], 2-33
 Adapter [E100 Mixer Gm 1.6l 2010], 2-31, 2-37
 Adapter, Head / Wand [17b/E], 3-73
 Adapter, Intake, Throttle Body, 2-27, 2-29, 2-37
 Adapter, Plate, 2-33
 Adapter, Rod-End, Side Brush, 3-11
 Adapter, Throttle Body, 2-33
 Adapter, Valve, 400mm [Bosch], 2-37
 Adapter, Valve, Fuel Trim, 2-33
 Alarm Assy, Backup, 12/48Vdc, 3-59
 Alarm Kit, Backup, Ci [M20 And T20], 3-59
 Alarm, 9-48vdc, 95 Db(A) [Ec-H20], 3-45
 Alarm, Warning [Sonalert, St628], 2-71
 Alternator, 12vdc 075a [Multi Grv], 2-57
 Angle, Brace, Shrd, 2-23
 Angle, Deflector, 2-87
 Angle, Mtg, Stl, .12 3.7 3.4 09.1l, 2-115, 2-123
 Angle, Mtg, Stl, .12 4.2 2.0 01.4l, 2-111
 Angle, Mtg, Stl, .18 2.2 1.9 03.0l, 2-111
 Angle, Mtg, Stl, .19 3.1 1.8 01.4l, 2-111
 Angle, Mtg, Valve, 2-115, 2-123, 3-13
 Angle, Protector, Lh, 2-93
 Angle, Protector, Rh, 2-93
 Angle, Sppt, Fan, 2-125
 Arm [Positioning], 2-79
 Arm Wldt, Lift, Sqge, Lh, 2-109
 Arm Wldt, Safety, Sppt, Seat, .38d 06.5d, 2-17
 Arm Wldt, Safety, Sppt, Seat, .38d 10.1l, 2-121
 Arm Wldt, Sqge, Lift, Rh, 2-105
 Arm, Cntrl, Pintle, Centering, 2-79
 Arm, Lever, Brake, 4.1 [Knott], 2-75
 Arm, Lift, Head [5700], 2-91
 Arm, Link, 3-11
 Arm, Pinch, 2-115, 2-123
 Arm, Pintle, 2-79
 Arm, Rocker, Valve, 5-3
 Arm, Sqge, Side, Lh, 2-109
 Arm, Sqge, Side, Rh, 2-105
 Axle, Wand [17b/E], 3-73

B

Bag, Power, 3-69, 3-75, 3-77
 Ball, Camshaft, 5-11
 Bar Wldt, Retainer, Sqge, Rear, 2-99
 Bar, Flat, Ss, .06 X .50 X 10.0l 2/.19sl, 2-15
 Bar, Flat, Stl 0.19, 01.50 X 04.1l, 2-73
 Bar, Retainer, 3-7
 Bar, Rnd, Plstc, 0.31d 12.5l, 2-111, 2-112
 Base Assy, Fan, W/O Pulley, 2-57

Battery, 12vdc, 0475cca, Ah, Wet, 2-71
 Battery, Wet, 12vdc 0475cca, 1-1
 Bearing Kit [Cl], 4-19
 Bearing Kit, Cshft, 1.989-1.995mm (Brown), 5-5
 Bearing Kit, Cshft, 1.989-1.995mm (Green Blue), 5-5
 Bearing Kit, Cshft, 1.995-2.001mm (Brown Blue), 5-5
 Bearing Kit, Cshft, 1.995-2.001mm (Green), 5-5
 Bearing Kit, Cshft, 2.114-2.120mm, 5-5
 Bearing Kit, Cshft, 2.120-2.126mm, 5-5
 Bearing Kit, Rod, Connecting, Std, 5-5
 Bearing, Ball, 0.98b 2.05d 0.59w, 2-81, 2-83
 Bearing, Ball, 1.18b 2.44d 0.63w, 2-75
 Bearing, Ball, 20mm B 42mm D 12mm W, 2-57
 Bearing, Cone, 1.38b 0.71w, 2-73
 Bearing, Cone, Pump, Hyd, 4-7
 Bearing, Cup, 2.56d 0.55w, 2-73
 Bearing, Cup, 4-7
 Bearing, Fing, 2-Hole, 0.50b, 2-19
 Bearing, Fing, 2hole, 0.50b [Nyl], 2-19
 Bearing, Pillowblock, 1.02b [Solid Pye], 2-77
 Bearing, Rlr, Cam 52 X 14 X 20, 2-95
 Bearing, Self Align, 0.75b 1.25d, 2-85, 2-91
 Bearing, Split, 1.00b, 2-77, 2-93
 Bearing, Thrust, 0.53b 1.00d 0.03w, 3-11
 Bearing, Thrust, 0.75b 1.25d 0.06w, 2-95
 Bearing, Thrust, Pump, Hyd, 4-7
 Bearing, Thrust, 4-9, 4-11
 Belt, Ribbed, 38.5l, 1-1, 2-57
 Belt, Timing [Gm1.6L], 5-11
 Blade, Sqge, .38 3.55w 038.3l, Linatex, 2-103
 Blade, Sqge, .38 3.55w 038.3l, Ure (Option), 2-103, 2-107
 Blade, Sqge, .38 3.55w 038.3l, Ure, 1-1
 Blade, Sqge, 300.8mml, Wand [17b/E, G], 3-73
 Blade, Sqge, 37.08l Linatex, 1-1, 2-107
 Blade, Sqge, Front [Linard], 1-1
 Blade, Sqge, Front, 49.58l Linatex, 2-99
 Blade, Sqge, Front, 49.58l Ure (Option), 2-99
 Blade, Sqge, Front, 49.59l Pyu, 1-1
 Blade, Sqge, Rear, 53.78L Pyu, 1-1
 Blade, Sqge, Rear, 53.78l Ure (Option), 2-99
 Blade, Sqge, Rear, Linatex, 1-1, 2-99
 Blade, Sqge, Side Brush, Linatex, 1-2, 3-9
 Blade, Sqge, Side Brush, Urethane, 1-2, 3-9
 Block, Centering, 2-93
 Block, Short, Eng, W/ Piston & Ring, 5-5
 Bolt, Bracket, Sensor,Cshft Position, 5-7
 Bolt, Bracket,Screen,Oil Pump,M6x1x1,

5-7
 Bolt, Camshaft Cover, 5-3
 Bolt, Carriage, M06 X 1.00 X 40, 4.6, 3-45
 Bolt, Carriage, M10 X 1.5 X 70, 2-101
 Bolt, Connecting Rod, 5-5
 Bolt, Cover, Camshaft, M6 X 1 X 22, 5-11
 Bolt, Cover, Oil Pump, M6 X 14, 5-7
 Bolt, Cover, Water Pump, 5-7
 Bolt, Eng Cover, M6 X 1 X 13, 5-11
 Bolt, Eye, .25-20 X 1.40 X .25 Eye, 2-79
 Bolt, Eye, M08 X 1.25 X 070mm, 05.50 Eye, 2-105, 2-109
 Bolt, Eye, M8X1.25, 2.75L, 2-79
 Bolt, Flywheel, 5-5
 Bolt, Head, Cyl, 5-3
 Bolt, Hsng, Thermostat, 5-3
 Bolt, M06 X 1.00 X 13mm, 5-8
 Bolt, M08 X 1.25 X 25mm, 5-5
 Bolt, M10 X 1.50 X 75mm, 5-5
 Bolt, M12 X 1.75 X 62mm, 5-5
 Bolt, Motor, Hyd, 4-5
 Bolt, Oil Pump Screen/Camshaft Cover, 5-7
 Bolt, Pan, Oil, 5-8
 Bolt, Pulley, Cshft, 5-5
 Bolt, Pump, Oil, 5-7
 Bolt, Retainer, Camshaft, M6 X 1 X 16, 5-11
 Bolt, Sensor, Position, Cshft, 5-7
 Bolt, Shield, Manifold, Exhaust, 5-9
 Bolt, Shld, .31d X 1.00, .25-20, 2-79
 Bolt, Shld, 1.37d X 5.13l, 1.1-18 Drilled, 2-73
 Bolt, Soc Head, M5 X 80 X 35, 2-37
 Bolt, Sprocket, Camshaft, M10x1.25x60, 5-11
 Bolt, Tensioner [GM], 5-11
 Bolt, Tensioner, Timing Belt,M8x1.25x48, 5-11
 Bolt, Tube [Pvc], M6 X 1 X 15, 5-3
 Boot, .63id .29l .90w, 2-15
 Boot, Bellows, 3.1l 4.4w 2.8h 1hole, Neo, 2-19
 Boot, Circuitbreaker, 3-45
 Boot, Switch, Ignition, 2-15
 Bracket Kit, Alternator, Repair, 2-57
 Bracket Wldt, Alternator, Lower [Gm1.6l], 2-57
 Bracket Wldt, Arm, Lower Cntrl, 2-91
 Bracket Wldt, Cooler, Hyd Fluid, 2-145
 Bracket Wldt, Head, Lower, Lh, 2-91
 Bracket Wldt, Head, Lower, Rh, 2-91
 Bracket Wldt, Latch, 2-21
 Bracket Wldt, Mtg [Fast Gen 2+], 3-33
 Bracket Wldt, Mtg [Fast], 3-21
 Bracket Wldt, Mtg, Caster, 2-101
 Bracket Wldt, Mtg, Eng, Back, Gas/Lpg, 2-25
 Bracket Wldt, Mtg, Eng, 2-25
 Bracket Wldt, Mtg, Fan, Upper, 2-67

Bracket Wldt, Mtg, Reg, Lpg[Gm 2010], 2-41
 Bracket Wldt, Mtg, Regulator, Lpg, 2-39
 Bracket Wldt, Mtg, Side Brush Fixed, 3-9
 Bracket Wldt, Mtg, Side Brush, 3-7
 Bracket Wldt, Mtg, Sqge, 2-101
 Bracket Wldt, Mtg, Tank, 2-11
 Bracket Wldt, Pivot, 2-95
 Bracket Wldt, Propel, Pintle, 2-79
 Bracket Wldt, Steering, Tilt, 2-19
 Bracket Wldt, Tilt, Rh, 2-19
 Bracket, Anchor, Strap, Alternator, 2-57
 Bracket, Angle, Sppt, Shield, 2-91
 Bracket, Angle, Stop, 2-95
 Bracket, Axle, 1 Hole [17b/E], 3-73
 Bracket, Axle, 3 Hole [17b/E], 3-73
 Bracket, Cover, 2-67
 Bracket, Fan, Lh, 2-67
 Bracket, Fan, Rh, 2-67
 Bracket, Fan, Upper, Lh, 2-67
 Bracket, Ftg, Bh, 2-63
 Bracket, Guide, Shrd, 2-23
 Bracket, Keeper, Latch, 2-112
 Bracket, Latch, Cover, 2-23, 2-112, 3-83
 Bracket, Latch, Keeper [Southco], 2-23
 Bracket, Latch, Shrd, Seat, 2-17
 Bracket, Lift, Sqge, 2-101
 Bracket, Mtg [Ecu], 2-27, 2-33
 Bracket, Mtg [Fast Gen 2+], 3-33
 Bracket, Mtg [Fast], 3-21
 Bracket, Mtg, Cable, 2-77
 Bracket, Mtg, Cover (Replaced by 9003893), 2-121
 Bracket, Mtg, Cover, Recvy Tank, 2-121
 Bracket, Mtg, Cyl, 2-79, 2-105, 2-109
 Bracket, Mtg, Detgt And Spray Wand, 3-5
 Bracket, Mtg, Ecu [M20/T20 2007], 2-29, 2-31
 Bracket, Mtg, Ecu, 2-37
 Bracket, Mtg, Fan, 2-125
 Bracket, Mtg, Fltr, Air, 2-49, 2-51, 2-53, 2-55
 Bracket, Mtg, Fuel, 2-43
 Bracket, Mtg, Insulation, 2-11
 Bracket, Mtg, Latch, Tank Cover, 2-111, 2-112
 Bracket, Mtg, Latch, 2-63
 Bracket, Mtg, Lift, Scb Head, 2-85
 Bracket, Mtg, Mirror, Rearview, 3-67
 Bracket, Mtg, Motor, 2-125
 Bracket, Mtg, Muffler [M20/T20 2007], 2-61
 Bracket, Mtg, Prop Rod, 2-121
 Bracket, Mtg, Pump, 3-75, 3-79
 Bracket, Mtg, Radiator, 2-63, 2-67
 Bracket, Mtg, Scb Head, Lh, 2-85
 Bracket, Mtg, Scb Head, Rh, 2-85
 Bracket, Mtg, Skirt, Door, Brush, 2-103, 2-107
 Bracket, Mtg, Skirt, 2-87
 Bracket, Mtg, Spray Handle, 3-79, 3-81
 Bracket, Mtg, Spray Wand [Fast, Conv], 3-79, 3-81
 Bracket, Mtg, Spring, 2-85

Bracket, Mtg, Sqge, Disk Head (Disk Scrub Head), 2-9
 Bracket, Mtg, Sqge, 3-7
 Bracket, Mtg, Static Strap, 2-95
 Bracket, Mtg, Strainer, 3-5
 Bracket, Mtg, Tank, 2-111
 Bracket, Mtg, Torque Tube, 2-91
 Bracket, Mtg, Valve, Hyd, Scb, 2-149
 Bracket, Mtg, Valve, 2-117, 3-3
 Bracket, Mtg, Wand, 3-75, 3-77
 Bracket, Mtg, 2-11
 Bracket, Muffler, Hanger, Front, 2-59
 Bracket, Propel, Gas/Lpg, 2-79
 Bracket, Reg [1.6l], 2-33
 Bracket, Retainer, Pump, 3-33
 Bracket, Retainer, Safety, 2-79
 Bracket, Retainer, Shield, Heat, 2-59
 Bracket, Retainer, Spring, 2-5, 2-7
 Bracket, Retaining, Cover (Replaced by 9003893), 2-121
 Bracket, Retaining, Hose, 2-115, 2-123, 3-83
 Bracket, Retaining, Wire, Sparkplug, 5-12
 Bracket, Screen, Oil Pump, 5-7
 Bracket, Seat, Adj, 2-17
 Bracket, Sensor, Position, Cshft, 5-7
 Bracket, Shield, Heat, 2-23
 Bracket, Skirt, Rbr, 2-67
 Bracket, Sppt, Cover, Tank, Recvy, 2-121
 Bracket, Sppt, Radiator, Upper, 2-64
 Bracket, Sppt, Revl Light, 3-59, 3-61, 3-63
 Bracket, Sppt, Shield, 2-95
 Bracket, Spring, 2-95
 Bracket, Tube, Coolant, 2-69
 Bracket, Valve, Sba [M20 And T20], 3-15
 Bracket, Valve, Water, 2-119
 Bracket, Wand, Handle, 3-73
 Bracket, Wand, Valve Mtg, 3-73
 Brake Assy, Drum, Mech, 07.0d 1.2w, 2-75
 Brkt, Ftg, 2-89
 Brush Assy, Disk, Scb, 14.0 D, Polypropylene, 2-5
 Brush Assy, Disk, Scb, 14.0 D, Soft Nylon, 2-5
 Brush Assy, Disk, Scb, 14.0d, Super Abrasive, 2-5
 Brush Assy, Disk, Scb, 16.0D, Nylon, 2-7
 Brush Assy, Disk, Scg, 16.0 D, Heavy Duty Polypropylene, 2-7
 Brush Assy, Disk, Scg, 16.0 D, Super Abrasive, 2-7
 Brush Assy, Disk, Swp, 24.oD, Polypropylene, 2-7
 Brush, Power Wand, W/ Fastener, Abr, 3-73
 Brush, Power Wand, W/ Fastener, Pyp, 3-73
 Brush, Swp / Scb, 40l, Heavy Duty Polypropylene, 2-5
 Brush, Swp / Scb, 40l, Polyester, 2-5
 Brush, Swp / Scb, 40l, Polypropylene, 2-5
 Brush, Swp / Scb, 40l, Super Abrasive, 2-5

Brush, Swp / Scb, 40L, Wndw, Super Abrasive, 2-5
 Bumper Kit, Hd, Ci [T20], 3-86
 Bumper Wldt, Brush, Side, 3-7, 3-9
 Bumper Wldt, Rear (Replaced by 9003679), 2-9
 Bumper Wldt, Rear, 2-9
 Bumper, Rbr, 0.5d 0.16t M5 X 08, 2-79
 Bumper, Rbr, 0.6d 0.34t .3d Tip, 2-145
 Bumper, Rbr, 1.00d 0.38th M8x1.25, 2-91
 Bumper, Sqge, 2-99
 Bumper, Ure, 1.50d 1.25l, 3-85
 Bushing, Eccentric, Adj, 2-115, 2-123
 Bushing, Flng, 0.32b 0.50d 0.24l, Bnz, 2-101
 Bushing, Flng, 0.50b 0.59d 0.38l, 2-115, 2-123
 Bushing, Flng, 0.63b 0.75d 0.38l, 2-101, 2-103, 2-107
 Bushing, Flng, 1.50b 1.65d 1.00l, 2-89
 Bushing, M06-1.50 X .25-27npt, 2-27, 2-33
 Bushing, Sleeve, 0.37b 0.50d 0.50l, Oib, 2-77
 Bushing, Sleeve, 0.50b 0.59d 0.50l, Bnz, 3-11
 Bushing, Sleeve, 0.62b 0.72d 0.50l, Fgl, 2-101
 Bushing, Sleeve, 0.63b 0.72d 0.38l, 2-105, 2-109
 Bushing, Sleeve, 0.75b 0.88d 0.25l, 2-115, 2-123
 Bushing, Sleeve, 0.78b 0.86d 0.93l, Bnz, 2-75
 Bushing, Sleeve, 1.00b 1.13d 1.50l, Fgl, 3-11
 Button, Cntrl, Horn, 2-19
 Bypass Valve Kit, Pump, Repair,, 4-21

C

Cable, Battery, 02ga 48.0l Red .41ring, 2-71
 Cable, Battery, 02ga 60.0l Blk .41ring, 2-71
 Cable, Glv .06d 012.0l .26eye /.26eye, 3-85
 Cable, Glv .09d 016.5l .38eye /.38eye, 2-21
 Cable, Glv .13d 015.8l .50eye /.50eye, 2-105, 2-109
 Cable, Push / Pull, 063.0l 4.0, .31-24, 2-77
 Cable, Push / Pull, 098.0l .25-28/.25-28, 2-79
 Cable, Ss .12d 013.3l .2clevis /.2clevis, 2-93
 Cam, Centering, Pintle, 2-79
 Cam, Front, 3-9
 Cam, Plt, Brake [Nickel], 2-75
 Cam, Rear, 2-99
 Cam, 2-99
 Camshaft, 5-11
 Cap Assy, Tank, Drain, 2-121, 4-3

CROSS REFERENCE

- Cap Screw Cl, 4-9
Cap Screw, 4-8
Cap, Breather, Hyd, 2.4 Ds, 1-1, 2-147
Cap, End, Valve, Steering, 4-19
Cap, Filler, Oil, W/ Org, 5-3
Cap, Fuel, Tank, 2-45
Cap, Hub, Dust 2.57d 0.77l, 2-75
Cap, Radiator, 14psi [Stant Ao-2516], 2-63
Cap, Radiator, 14Psi [Stant], 2-67
Cap, Rbr, 0.50id 1.18l Blk, 2-119
Cap, Spring, Valve, 5-3
Cap, Tank, Fuel, 2.3neck 2.6d, 2-43
Cap, Tank, 3-5
Capacitor, Plug [4700uf, 25v], 3-58
Cartridge, Psi Cntrl, Valve, Hyd, 4-13, 4-15, 4-17
Caster, Pivot, 2-101
Catch, Latch, Tank Cover, 2-111, 2-112
Channel Wldt, Guard, Sqge, 3-85
Channel Wldt, Pivot, 3-11
Channel, Shield, Muffler [M20/T20 2007], 2-61
Channel, Shield, Muffler, 2-59
Channel, Sppt, Tank, 2-111
Chech Valve Kit, Pump, Repair,, 4-21
Circuitbreaker, 2.0a, Resetable, 3-45
Clamp Wldt, Front, 2-99
Clamp Wldt, Rear, 2-99
Clamp, Cable, Ss, 0.50d X 0.50w [Insul], 4-23
Clamp, Cable, Ss, 1.12d X 0.38w, 1h, 2-117
Clamp, Cable, Ss, 2.50d X 1.00w, 1h, 2-11
Clamp, Cable, Stil, 0.25D X 0.56W, 1Hole, 3-61, 3-63
Clamp, Cable, Stil, 0.44d X 0.62w, 1h, 2-145
Clamp, Cable, Stil, 0.69d X 0.62w, 1h, 2-63, 2-79, 2-121
Clamp, Cable, Stil, 0.69d X 0.62w, 1hole, 2-39
Clamp, Cable, Stil, 1.25d X 1.00w, 1hole, 2-69
Clamp, Cable, Stil, 1.50d X 1.00w, 1h, 2-11, 2-63, 2-71, 2-145, 3-21
Clamp, Cable, Stil, 1.50d X 1.00w, 1hole, 2-9
Clamp, Cable, Stil, 2.00d X 0.75w, 1 Hole, 2-43
Clamp, Cable, Stil, 2.00d X 0.75w, 1hole, 2-45
Clamp, Hose, 1.0, 2-39, 2-41
Clamp, Hose, 1.75 [Pcv], 5-3
Clamp, Hose, Ear, 11-13mm, Ss, 3-71
Clamp, Hose, Ear, 8-11mm, Ss, 3-73
Clamp, Hose, Plstc .351-.394 Id, 3-21
Clamp, Hose, Spring Stil, 0.86d X 0.38w, 2-49, 2-51, 2-53, 2-55
Clamp, Hose, Spring, 0.62d, 2-39, 2-41
Clamp, Hose, Spring, 0.75d, 2-39, 2-41
Clamp, Hose, Wir, .52 - .56, Yel, 4-23
Clamp, Hose, Wir, .63 - .66, Blk, 4-23
Clamp, Hose, Wormdrive, 0.25-0.62d, .31w, 2-27, 2-29, 2-34, 2-39, 2-63, 2-64, 2-69, 2-119, 3-3, 3-5, 3-33, 3-47
Clamp, Hose, Wormdrive, 0.31-0.88D, .31W, 3-53
Clamp, Hose, Wormdrive, 0.31-0.88d, .31w, 2-29, 2-39, 2-43, 2-45, 2-71, 2-119, 3-13, 3-19, 3-23, 3-25, 3-27, 3-29, 3-33, 3-35, 3-37, 3-39, 3-41, 3-47, 3-49, 3-51, 3-55, 3-75, 3-77, 3-79
Clamp, Hose, Wormdrive, 0.56-1.06D, .56W, 3-53
Clamp, Hose, Wormdrive, 0.56-1.06d, .56w, 2-27, 2-29, 2-31, 2-34, 2-39, 2-41, 2-117, 2-119, 3-3, 3-5, 3-13, 3-23, 3-25, 3-35, 3-37, 3-39, 3-49, 3-51, 3-75, 3-79, 3-81
Clamp, Hose, Wormdrive, 0.81-1.50d, .50w (Disk Scrub Head), 2-9
Clamp, Hose, Wormdrive, 0.81-1.50d, .50w, 2-97
Clamp, Hose, Wormdrive, 1.25-2.00D, .50W, 2-59, 2-61, 2-63, 3-69
Clamp, Hose, Wormdrive, 1.25-2.00d, .50w, 2-69
Clamp, Hose, Wormdrive, 1.56-2.50d, .50w, 2-63, 2-69
Clamp, Hose, Wormdrive, 1.81-2.75d, .50w, 2-49, 2-51, 2-53, 2-55
Clamp, Hose, Wormdrive, 2.50-3.50d, .50w, 2-115, 2-123
Clamp, Hose, Wormdrive, 3.56-4.50D, .50W, 2-125
Clamp, Hose, Wormdrive, 3.56-4.50d, .50w, 2-115, 2-123
Clamp, Hose, Wormdrive, 3.75-4.62d, .62w, 2-125
Clamp, Hyd, 0.50d, 2-81, 2-83
Clamp, Mtg, Fitr, Air, 2-49, 2-51, 2-53, 2-55
Clamp, Muffler, 1.62d, 2-59, 2-61
Clamp, Spring, 1.50, 2-51, 2-55
Clevis, Adj, 0.25 Pin, 0.25-28 Rh, Pl, 2-77
Clevis, Adj, 0.25pin, 0.25-28left Pl, 2-77
Clevis, Adj, 0.31pin, 0.31-24, 2-77
Clip, .250h, Plstc [Pine-Tree], 2-23, 2-95, 2-103, 2-107
Clip, .250h, Plstc [Pine-tree], 2-87
Clip, Grip, Finger, .875-1.25, 3-79, 3-81
Clip, Grip, Finger, 0.88-1.25d, 3-45
Clip, Grip, Finger, 1.00-1.88d White,Vyl, 3-69, 3-75, 3-77
Clip, Keeper, Open, 2-63, 2-67
Clip, Retainer, .25d, 2-95
Clip, Wiper, 2-95
Coil, Ignition, 5-12
Collar, Split, 1.50b .50w 2/Bolt, 2-89
Column, Pump, Water, 4-3
Column, Steering, 09.9L 0.86D 36Tooth, 2-19
Complete Pump Kit, Pump, Repair,, 4-21
Connector, Fem, 02cav, Mp280 Sealed, 4-21
Connector, Fuel, E90, Qf, 2-43
Connector, Fuel, Qf, 2-43, 2-45
Controller Kit, Replmt [Ec-H20], 4-23
Converter, Ele, 12-36 Vdc, 3-45
Converter, Lpg, 2-33
Cooler, Hyd, 25gpm 325btu Of12 13x12x2, 2-145
Coupler, Pump, 4-7
Coupling, Drive, 13t, 2-25
Coupling, Hose, 2-9
Coupling, Nozzle, Spray, 3-79, 3-81
Coupling, Tube, Vacuum, 2-97
Cover Kit, Soltn Tank, Rh [M20 & T20], 2-111
Cover Kit, Tank, Recvy, Replmt [T20], 2-121
Cover Kit, Tank, Soltn, Lh, Replmt, Ce (Japan and CE Only), 2-112
Cover Kit, Tank, Soltn, Lh, Replmt, 2-112
Cover Kit, Tank, Soltn, Rh, Replmt, Ce (Japan and CE Only), 2-111
Cover Wldt [Fast], 3-21
Cover Wldt, Power Supply, 3-45
Cover, Belt, Timing, Front, 5-11
Cover, Belt, Timing, Upper Front, 5-11
Cover, End, 4-7
Cover, Fuse, Block, 2-71
Cover, Hose, 2-39, 2-41
Cover, Hsng, Camshaft, 5-3, 5-11
Cover, Hsng, Flywheel (Replaced By 9006895), 2-25
Cover, Pump, Oil, 5-7
Cover, Tank, Soltn, Lh, Trimmed, Ce (Japan and CE Only), 2-112
Cover, Tank, Soltn, Lh, Trimmed, 2-112
Cover, Tank, Soltn, Rh, Trimmed, Ce (Japan and CE Only), 2-111
Cover, Tank, Soltn, Rh, Trimmed, 2-111
Cover, Tank, 2-121
Cover, Trimmed, 3-45
Crank Kit, Pump, F/79323, Replmt, 4-20
Crankshaft, 5-5
Crossmember Wldt, Lift, 2-101
Crossmember Wldt, Sqge (Disk Scrub Head), 2-9
Cuff, Swivel, 1.5 Blk, 3-71
Cup Holder, Rwk, 2-15
Cylinder, Hyd, 1.5b 07.8l 02.75strk 2500, 3-11
Cylinder, Hyd, 1.5b 07.8l 02.80strk 2500, 2-85, 2-105, 2-109, 3-11
Cylinder, Hyd, 1.5b,07.8l,02.80strk,2500, 2-91, 2-93
Cylinder, Hyd, 2.0b,15.2l,09.00strk,3000, 2-73

D

- Detergent Pkg, 4 Liter, Sgl [Tco 665], 3-21
Device, Centering, Clip On, TI [Gf Pp], 2-5
Diaphragm Kit, Pump, Repair,, 4-21
Diode, Ele, Plug, 2-71
Dipstick, Oil, 5-8

Disk, Driver, Pad, W/ Face, 14.0d, 2-5
 Door Wldt, Brush, Idler, 2-81, 2-83
 Door Wldt, Brush, Lh, 2-109
 Door Wldt, Brush, Rh, 2-105
 Door Wldt, Brush, 2-81, 2-83
 Drive [C], 4-9
 Drive, Motor, Hyd, 4-5
 Drive, 4-8, 4-11
 Driver Assy, Pad, 14 D, Brush, 2-5
 Driver Assy, Pad, 14.0d, 2-5
 Drum, Cable, Lift, 2-93

E

Electrode, 5 Plate, High Flow, 4-23
 Electrode, Cylindrical, 4-23
 Element, Fltr, Air [Dn], 1-1, 2-49, 2-51, 2-53, 2-55
 Element, Fltr, Air, Safety (Option), 2-49, 2-51, 2-53, 2-55
 Element, Fltr, Oil, Eng, Spin-On, 1-1, 2-25, 5-8
 End Cap, Motor, Hyd [En], 4-9, 4-11
 End Cap, 4-8
 Engine [Long Block Gm 1.6l] (See Engine Breakdown), 2-25
 Extinguisher Kit, Fire, Ci [M20 And T20], 3-87
 Extinguisher, Fire, 2.5 Lb Dry, 3-87

F

Fan Kit, Scrub, Replmt [M20/T20], 2-125
 Fan, Cooling, 15.5d, 6 Blade, .5b Taper, 2-57
 Fan, Cooling, Pusher, 15.5D [2007], 2-57
 Fast 665 4 Ltr, Detergent, 3-33
 Fast Kit, Ci, Injector Filters[Fast li+], 4-24
 FaST Kit, Ci, Injector Rebuild[FaST II+], 4-24
 Fast Kit, Ci, Injector Seals [Fast li+], 4-24
 FaST Kit, Injector, Ci[M20/M30 FaST II+], 4-24
 Fast Kit, Injector, Ci[M20/M30 FaST II+], 3-33
 Filter Assy [Pt4 936498], 1-1, 2-147
 Filter Assy, Air, Mold, Ure, 3-21
 Filter Assy, Air, 2-49, 2-51, 2-53, 2-55
 Filter Assy, Hyd, 10mic, 1-1
 Filter Kit, Fuelock, Lpg, 1-1, 2-33, 2-39
 Filter, Foam, Rbr, 1.20d, 1.0l, 3-23, 3-25, 3-27, 3-29
 Filter, Fuel [Gm 1.6l/3.0l], 1-1, 2-43, 2-45
 Filter, Fuellock, Lpg [Gm1.6L 2010], 2-41
 Filter, Fuelock,Lpg[Gm1.6l 2010], 1-1
 Filter, In-Line, Pf06/Pf06 080mesh 02.6l, 3-33, 3-47
 Filter, In-Line, Pf06/Pf06, 80 Mesh, 3-19
 Filter, Screen, 50 Mesh .59d .8l Ss, 3-19
 Filter, Soltn, 020mesh, Pm12 3.2d 08.0l, 3-5

Filter, Soltn, 20mesh, Pm12 3.1d 02.6l, 1-1, 2-112
 Fitting Assy, Orifice, 0.070b, Pf04/Pf04, 3-19
 Fitting Assy, Orifice, 0.093b, Pf04/Pf04, 3-19
 Fitting Assy, Qdc, Pf04, 3-47
 Fitting Kit [Epr], 2-39, 2-41
 Fitting Kit, Hose, Garden, 3-3
 Fitting Spray Nozzle Adapter, 3-73
 Fitting, Adapter, Orifice, Pf06/Pm06, 2-27, 2-29, 2-31, 2-41
 Fitting, Alm, Str, Bm24/Bm48, 3-69, 3-71
 Fitting, Brs, E45, Pf02/Pm02, 2-25
 Fitting, Brs, E90, Bm08/Pm04, 3-19
 Fitting, Brs, E90, Cf03/Pf02, 3-21
 Fitting, Brs, E90, Em05/Pm04, 2-43, 2-45
 Fitting, Brs, E90, Em10/Pm06, 2-27, 2-29, 2-31, 2-34, 2-39, 2-41
 Fitting, Brs, E90, Pf04/Pm04, 2-39, 2-43, 2-47
 Fitting, Brs, E90, Pm02/Bm03, 3-5
 Fitting, Brs, Qdc, Bm04/Pf04, 3-71
 Fitting, Brs, Qdc, Bm12/Qf08, 3-3
 Fitting, Brs, Qdc, Pf04, Lpg Fem, 2-47
 Fitting, Brs, Qdc, Pf08 [Parker Bh3f], 3-3
 Fitting, Brs, Qdc, Pm04, Plug, 3-73
 Fitting, Brs, Qdc, Pm04/Qf06, 3-75, 3-77
 Fitting, Brs, Snubber, Pm02/Pf02, 3-47
 Fitting, Brs, Spcl [Garden Hose], 3-79, 3-81
 Fitting, Brs, Str, Bm04/Pm02, 3-21
 Fitting, Brs, Str, Bm05/Pm04, 2-43
 Fitting, Brs, Str, Bm06/Pm05, 2-29, 2-39
 Fitting, Brs, Str, Bm08/Pm04, 3-19
 Fitting, Brs, Str, Em10/Pm06, 2-31, 2-41
 Fitting, Brs, Str, Pf02/Pm04, 3-19
 Fitting, Brs, Str, Pf02/Pm06, 3-47
 Fitting, Brs, Str, Pf04/Pf04, Bh, 2-47, 3-75, 3-77
 Fitting, Brs, Str, Pf04/Pm02, 2-27, 2-29, 2-34, 2-39
 Fitting, Brs, Str, Pf06/Pf06 Bh, 3-79, 3-81
 Fitting, Brs, Str, Pf06/Pm04, 2-31, 2-41
 Fitting, Brs, Str, Pf06/Pm12, 3-79, 3-81
 Fitting, Brs, Str, Pm02, Plug [Skhd], 3-73
 Fitting, Brs, Str, Pm04/Pm04, 2-43, 3-19
 Fitting, Brs, Str, Pm08/Garden Hose, 3-79, 3-81
 Fitting, Brs, Tee, Pf04/Pf04/Pf04, 3-19
 Fitting, Brs, Tee, Pm04/Pf04/Pf04, Run, 3-33
 Fitting, Brs, Tip [75, .125k-Jet], 3-73
 Fitting, Cap, 2-33
 Fitting, Draincock, E90, .25npt, 2-27, 2-29, 2-34, 2-39, 2-63, 2-69
 Fitting, E, Gr, 4-3
 Fitting, E70, 2-33
 Fitting, E90, M14 X .56, 2-25
 Fitting, E90, 2-33, 2-37
 Fitting, End, Hose, 2-25
 Fitting, Fltr, Oil, 5-8
 Fitting, Fuel [Mixer E100Lp 2010], 2-37

Fitting, Fuel, Str, 0.38-24 [07 Eng], 2-45
 Fitting, Fuel, Str, 0.56-18 [07 Eng], 2-45
 Fitting, Grease, Str Pm04 .47L, 2-89
 Fitting, Grease, Str Pm04 .47l, 2-85, 2-91, 2-101
 Fitting, Grease, Str Pm04 .63l, 2-73
 Fitting, Hose, Vacuum, .25, 2-33
 Fitting, Hyd, Cap, Jf06, 2-145
 Fitting, Hyd, Cap, Jf08, 3-15
 Fitting, Hyd, E45, Jf10/Jm10, 2-133
 Fitting, Hyd, E45, Jm04/Om04, 3-15
 Fitting, Hyd, E45, Jm04/Om06, 2-73
 Fitting, Hyd, E45, Jm06/Om04, 2-125
 Fitting, Hyd, E45, Jm06/Om06, 2-73
 Fitting, Hyd, E45, Jm08/Om08, 2-125, 2-149, 3-15
 Fitting, Hyd, E45, Jm08/Om10, 2-143
 Fitting, Hyd, E45, Jm10/Om12, 2-73
 Fitting, Hyd, E45, Jm12/Om16, 2-147
 Fitting, Hyd, E45, Jm20/Om20, 2-147
 Fitting, Hyd, E90, Jf04/Jm04, 2-83, 2-149, 3-15
 Fitting, Hyd, E90, Jf06/Jm06, 3-15
 Fitting, Hyd, E90, Jf08/Jm08, 2-19
 Fitting, Hyd, E90, Jm04/Om04, 2-89, 2-93, 2-105, 2-109, 2-149, 3-11
 Fitting, Hyd, E90, Jm04/Pm02, 2-147
 Fitting, Hyd, E90, Jm06/Om04, 2-85, 2-91, 3-11
 Fitting, Hyd, E90, Jm06/Om06, L, 2-149
 Fitting, Hyd, E90, Jm06/Om06, 2-19, 2-149, 3-15
 Fitting, Hyd, E90, Jm06/Om08, 2-143
 Fitting, Hyd, E90, Jm08/Om08, L, 2-89, 2-149
 Fitting, Hyd, E90, Jm08/Om08, 2-81, 2-83, 2-89, 2-143, 2-149, 3-15
 Fitting, Hyd, E90, Jm08/Om10, 3-7, 3-9
 Fitting, Hyd, E90, Jm10/Om12, 2-143
 Fitting, Hyd, E90, Jm12/Om12, L, 2-145
 Fitting, Hyd, E90, Jm12/Om12, 2-145
 Fitting, Hyd, E90, Om04/Qm04, 2-149, 3-15
 Fitting, Hyd, E90, Spcl, 2-39, 2-41
 Fitting, Hyd, Plug, Om04, 4-11, 4-15
 Fitting, Hyd, Plug, Om06 (Cylindrical Scrub Head), 2-147
 Fitting, Hyd, Plug, Om06, 2-147, 2-149
 Fitting, Hyd, Plug, Om08, 4-7, 4-15
 Fitting, Hyd, Plug, Om10, 2-147
 Fitting, Hyd, Plug, Pm06, 2-31, 2-41
 Fitting, Hyd, Rst, Spcl, 2-105, 2-109
 Fitting, Hyd, Str, Jf04/Qm04, 2-149, 3-15
 Fitting, Hyd, Str, Jm04/Om04, 2-81, 2-83, 2-149, 3-15
 Fitting, Hyd, Str, Jm04/Om06 (Disk Scrub Head), 2-147
 Fitting, Hyd, Str, Jm04/Om06, 3-15
 Fitting, Hyd, Str, Jm06/Om06, L, 2-19
 Fitting, Hyd, Str, Jm06/Om06, 2-19, 2-147, 3-15, 3-17
 Fitting, Hyd, Str, Jm08/Om06, 2-19

CROSS REFERENCE

- Fitting, Hyd, Str, Jm08/Om08, 2-89, 2-143, 2-147, 3-15
Fitting, Hyd, Str, Jm08/Om10, 3-7
Fitting, Hyd, Str, Jm10/Om10, 2-149
Fitting, Hyd, Str, Jm10/Om12, 2-73
Fitting, Hyd, Str, Jm20/Om16, 2-143
Fitting, Hyd, Str, Om04/Qm04, 2-149, 3-15
Fitting, Hyd, Str, Pf02/Pm04, 2-47
Fitting, Hyd, Tee, Jm04/Jm04/Om04, Run, 2-89
Fitting, Hyd, Tee, Jm08/Jm08/Om08, Br, 2-125, 2-149
Fitting, Hyd, Tee, Pf04/Pf04/Pm04, Run, 2-47
Fitting, Nipple, .25mal, 2-39, 2-41
Fitting, Nipple, .25npt, Brs, 2-33
Fitting, Nyl, Qdc, E90, Bm08/ Qm10, 3-33, 3-47
Fitting, Nyl, Str, Bm04/Pm04, 3-73
Fitting, NylY, Qdc, E90, Bm06/ Qm10, 3-33
Fitting, Pipe, Bshg, M18 X 1.5, 2-25
Fitting, Pipe, E45, Spcl, 2-47
Fitting, Pipe, E90, Pf02/Pm02, 3-21
Fitting, Pipe, Plug, Metric, M18,Soc, 2-25, 2-59, 2-61
Fitting, Pipe, Plug, Pm02, Sq Head, 2-45
Fitting, Pipe, Plug, Pm08, Sq Head, 2-117
Fitting, Pipe, Plug, 2-25
Fitting, Plstc, Body, Spray, Pf04, 3-19
Fitting, Plstc, Cap, Pf12 Hex, 2-117
Fitting, Plstc, Cap, Spray, Pf04, 3-19
Fitting, Plstc, E90, Bm04/Pm02, 3-73
Fitting, Plstc, E90, Bm05/Bm05, Nyl, 3-47
Fitting, Plstc, E90, Bm06/Bm06, 3-5, 4-23
Fitting, Plstc, E90, Bm06/Pm04, Nyl, 3-33
Fitting, Plstc, E90, Bm06/Pm12, Nyl, 3-3
Fitting, Plstc, E90, Bm08/Bm08, 2-119, 3-47
Fitting, Plstc, E90, Bm08/Pf08s, Swivel, 3-19, 3-75, 3-79
Fitting, Plstc, E90, Bm08/Pm04, 3-47
Fitting, Plstc, E90, Bm08/Pm06, 3-47, 3-79, 3-81
Fitting, Plstc, E90, Bm08/Pm12, Nyl, 3-19, 3-23, 3-25, 3-27, 3-29, 3-33, 3-47
Fitting, Plstc, E90, Bm12/Pf12, 3-5
Fitting, Plstc, E90, Bm12/Pm08, 3-3
Fitting, Plstc, E90, Bm12/Pm12, 3-3, 3-5, 3-19, 3-33, 3-47
Fitting, Plstc, E90, Pf Bm [Es Pump], 4-3
Fitting, Plstc, E90, Pf12/Pm12, 2-111
Fitting, Plstc, Pf12/Pf12, Bh, 2-111, 3-3
Fitting, Plstc, Pipe, Cap, Pf04, 3-21, 3-33, 4-23
Fitting, Plstc, Rst, .50od /.13id, 3-25
Fitting, Plstc, Str, Bm04, Cplg, Fem, 3-21, 3-33
Fitting, Plstc, Str, Bm04/Bm08, 3-47
Fitting, Plstc, Str, Bm04/Pm04, 3-47
Fitting, Plstc, Str, Bm05/Pm04, 3-47
Fitting, Plstc, Str, BM06/BM08, 3-55
Fitting, Plstc, Str, Bm06/Bm08, 3-51
Fitting, Plstc, Str, Bm06/Pm04, 3-33, 4-23
Fitting, Plstc, Str, Bm06/Pm06, 3-33
Fitting, Plstc, Str, Bm08/Pm04, 3-75, 3-77
Fitting, Plstc, Str, Bm08/Pm06, 3-19
Fitting, Plstc, Str, Bm08/Pm12, 3-23, 3-25, 3-27, 3-29
Fitting, Plstc, Str, Bm10/Bm10, 2-49, 2-53
Fitting, Plstc, Str, Bm12/Bm12, 2-117
Fitting, Plstc, Str, Bm12/Pm08, Nyl, 3-3, 4-3
Fitting, Plstc, Str, Bm12/Pm12, 2-117, 2-119
Fitting, Plstc, Str, Pf06/Qm10, Pvc, 3-47
Fitting, Plstc, Str, Pm02/Bm05, 4-23
Fitting, Plstc, Str, Pm04, Cplg, Mal, 3-21, 3-33
Fitting, Plstc, Str, Pm04/Pm06, Nyl, 3-47
Fitting, Plstc, Str, Pm08/Pm08, 3-3
Fitting, Plstc, Str, Pm12/Pm12 1.60l, 3-3, 3-19, 3-33, 3-47
Fitting, Plstc, Tee, Bm04/Bm04/Bm04, 3-33
Fitting, Plstc, Tee, Bm04/Bm08/Bm08, Br, 3-19
Fitting, Plstc, Tee, Bm06/Pm02/Bm06, 4-23
Fitting, Plstc, Tee, Bm08/Bm08/Bm08, 3-19, 3-29, 3-41, 3-55
Fitting, Plstc, Tee, Bm08/Bm12/Bm12, Br, 3-23, 3-25, 3-35, 3-49, 3-51, 3-75, 3-79
Fitting, Plstc, Tee, Bm10/Bm10/Bm10, 2-31, 2-41
Fitting, Plstc, Tee, Bm12/Bm12/Bm12, 2-117, 3-13
Fitting, Plstc, Tee, Pf08/Pf08/Pf08, 3-3
Fitting, Plstc, Tee, Pf12/Pf12/Pf12, 3-3, 3-19, 3-33, 3-47
Fitting, Plstc, Y, Bm08/Bm08/Bm08, Nyl, 3-25, 3-29, 3-33, 3-37, 3-41, 3-51, 3-55, 3-77, 3-81
Fitting, Plug, M16, Intake Manifold, 2-29, 2-31, 2-37
Fitting, Plug, Org, #6, Valve [Cec], 4-13, 4-15, 4-17
Fitting, Plug, 2-25
Fitting, Stl, Qdc, Bm04, 3-71
Fitting, Str, .19brb X .12mpt, 2-27
Fitting, Str, E90, .25npt, 2-33
Fitting, Str, 2-33
Fitting, Vacuum [M16-15-6h], 2-27, 2-29, 2-31, 2-37
Flange Mounting, 4-8
Flange, Motor, Hyd [En], 4-9
Flange, 4-11
Flap, Battery, 2-15
Flapper, Valve, Pump, Water, 4-3
Flywheel, 5-5
Frame Wldt, Hppr, 2-95
Frame Wldt, Main, Replmt [M20 & T20], 2-9
Frame Wldt, Sqge, Lh, 2-107
Frame Wldt, Sqge, Rh, 2-103
Frame Wldt, Sqge, Side Brush, 3-7
Fuelline, .31d Str/Str, Plstc, 2-43, 2-45
Fuelline, .31d Str/Str,Plstc[M20/T20 07], 2-45
Fuse, 015a, 2-71
Fuse, 10 Amp, 2-187
Fuse, 15 Amp, [Min-15], 2-187
Fuse, 20 Amp, [Min-20], 2-187
Fuse, 5 Amp, [Min-5], 2-187
Fuse, 50amp, 2-187
Fuse, 60 Amp, 2-187

G

- Gasket Kit, Repair, Gas [Gm1.6l 2007], 2-29, 2-31
Gasket Kit, Repair, Lpg [Gm1.6l 2007], 2-37
Gasket, .25 1.88d 1.0id [Poron], 4-3
Gasket, 3.23id 3.63Od .16Th, Ure, 2-121
Gasket, 4.05id 5.29Od .19 [Buna], 4-3
Gasket, Body, Throttle [1.6l], 2-29, 2-31
Gasket, Cover, Fuse Block, 2-71
Gasket, Cover, Hsng, Camshaft, 5-3
Gasket, Exhaust, 2hole, 3.4bc, 2-59, 2-61
Gasket, Flng, Pipe, Exhaust, 2-59, 2-61
Gasket, Head, Cyl, 5-3
Gasket, Lid, 2-121
Gasket, Manifold, Exhaust, 5-9
Gasket, Manifold, Intake, 2-27, 2-29, 2-31, 2-33, 5-9
Gasket, Pan, Oil, 5-8
Gasket, Plt, Hose, Vacuum, 2-125
Gasket, Plug, Relief Valve, Oil Press, 2-25, 5-7
Gasket, Pump, Oil, 5-7
Gasket, Sender, Fuel, 2-45
Gasket, Sqge, 1-1, 2-99
Gasket, Tank, Recvy, 2-121
Gasket, Tube [Pcv], 5-3
Gasket, 2-33
Gasspring, 180lb, 03.0strk, 2-17
Gauge, Sensing, Level, 2-147
Gear, Drive, Oil Pump, 5-7
Gear, Ring, Drive, Oil Pump, 5-7
Geroler, Motor, Hyd, 4-5
Gerotor Set [Cl], 4-9
Gerotor Set, 4-8
Gerotor, Motor, Hyd, 4-11
Grill Wldt, Front, 2-21
Grill, Eng, 2-23
Grill, Side, 2-17
Grip, Handle, .50d 4.0l Yel, 2-95
Grip, Handle, 1.0d 1.5l Blk (Disk Scrub Head), 2-9
Grip, Handle, 1.25D 1.50L Blk, 2-9
Grip, Handle, 2-115, 2-123
Grommet, 0.38id, F/0.6h, .06 Matl, 3-73
Grommet, Blind, 4-23
Grommet, Pye, 0.37id, F/1.5h, .13 Matl, 3-5
Grommet, Rbr, 0.20id, F/0.4h, .12 Matl, 2-27, 2-33

Grommet, Rbr, 0.50id, F/0.8h, .12 Matl, 3-64, 3-65, 3-67
 Grommet, Rbr, 0.62id, F/0.9h, .06 Matl, 3-45
 Grommet, Rbr, 0.62id, F/0.9h, .12 Matl, 3-5
 Grommet, Rbr, 2.13id, F/2.5h, .12 Matl, 3-19, 3-33
 Guard Kit, Sqge, Ci [T20], 3-85
 Guard Kit, Switch, Float, Replmt [T20], 2-121
 Guard Wldt, Brush, Side, 3-13
 Guard Wldt, Prntd [M20/T20], 3-85
 Guard Wldt, Sqge Rep.BY1039069, 3-85
 Guard Wldt, Sqge [M20/T20 LH, M30 RH], 3-85
 Guard Wldt, Sqge [M20/T20 RH, M30 LH], 3-85
 Guard Wldt, Sqge [M20/T20/M30], 3-85
 Guard Wldt, Switch, Float, 2-121
 Guard Wldt, Top, Ohg, 3-67
 Guide, Rlr, 2-95

H

Handle Wldt, Drain, 2-121
 Handle Wldt, T, Hpr, 2-97
 Handle Wldt, Wand, 3-73
 Handle, Valve, Pinch, Lh, 2-123
 Handle, Valve, Pinch, Rh, 2-115
 Harness [Fast, M20 And T20], 3-31
 Harness, Adapter, 2-187
 Harness, Eng [1.6l, Gm, E-cntrl], 2-187
 Harness, Headlight [M20 And T20], 2-182
 Harness, Injector, Gas [1.6l,Gm,E-cntrl], 2-187
 Harness, Injector, Lpg [1.6l,Gm,E-cntrl], 2-187
 Harness, Main [T20], 2-181
 Harness, Manifold, Gas, 2-45
 Harness, Spray, Nozzle, 3-75, 3-79
 Harness, Warning / Backup [M20 & T20], 3-59, 3-61, 3-63
 Harness, Warning / Ohg [M20], 3-64, 3-65
 Harness, Wire [Ec-H2o], 3-58
 Harness, Wire [Fast Gen 2], 3-43
 Harness, Wire, Eng, Gas [GM 1.6L 10], 2-187
 Harness, Wire, Eng, Gas [Gm 1.6L], 2-187
 Harness, Wire, Eng, Lpg [Gm 1.6l 10], 2-187
 Harness, Wire, Eng, Lpg [Gm 1.6l], 2-187
 Harness, Wire, Interface [Ec-H2o], 3-58
 Head Wldt, Disk, Replmt, Jp (Japn Only), 2-89
 Head Wldt, Disk, Std, Replmt, 2-89
 Head Wldt, Swing, Lower, 14.0, 2-89
 Head, Cyl, 5-3
 Head, Wand [17b/E], 3-73
 Headlight, 12vdc, 27watt, 2.1a, Oval (Rpl by 1060942), 2-9
 Headlight, 12Vdc, Oval, Halogen, 2-9

Hinge Wldt, Door, 2-17, 2-23
 Hinge Wldt, Shrd, Lh, 2-23
 Hinge Wldt, Shrd, Rh, 2-17
 Hinge, .38pin .11 3.5w 06.0l 6/0.38sl, 2-21
 Hinge, .50pin .19 4.0w 06.0l 3/0.44sl, 2-105, 2-109
 Horn, 12vdc, Dba [Wolo], 2-71
 Hose [Epr To Manifold], 2-39, 2-41
 Hose [Mixer To Epr], 2-39
 Hose [Pcv], 5-3
 Hose Assy, Sqg, 2-121
 Hose Assy, W/1cuff, 1.0d, 030l 1.25/, 2-97
 Hose Assy, W/2cuff, 1.5d 90l 1.5/1.5, 3-69
 Hose Assy, W/2cuff, 3.0d 14l 3.0/3.0, 2-99
 Hose Assy, Wand, Power, 3-71
 Hose Kit, Hyd, Sqge Lift [T20], 2-141
 Hose, 170mm [Ftv-Ptv], 2-33
 Hose, 355mm [FI-Vrp], 2-33
 Hose, 9.5mm X 290mm [Pcv], 2-33
 Hose, 9.5mm X 450mm [Pcv], 2-27
 Hose, Afmkt, Coolant Recvy, 05ft, 2-63, 2-69
 Hose, Afmkt, Pvc, Brd 0.38id 02ft, 3-5
 Hose, Afmkt, Pvc, Brd 0.50id 02ft, 3-23, 3-27
 Hose, Afmkt, Pvc, Brd 0.50id 03ft, 3-19
 Hose, Afmkt, Pvc, Brd 0.50id 08ft, 3-19, 3-25, 3-29
 Hose, Afmkt, Pvc, Brd 0.62id 01ft, 3-5
 Hose, Afmkt, Pvc, Brd 0.62ld, 01Ft, Clr, 3-5
 Hose, Afmkt, Pvc, Brd 0.75id 03ft, 2-119
 Hose, Afmkt, Pvc, Brd 0.75id 08ft, 2-117, 2-119, 3-13
 Hose, Afmkt, Pvc, Brd 0.75id 12ft, 3-3
 Hose, Afmkt, PVC, Brd, 0.31ld, 03Ft, Clr, 3-47, 4-23
 Hose, Afmkt, Pvc, Brd, 0.38id, 01ft, Clr, 4-23
 Hose, Afmkt, Pvc, Brd, 0.38ld, 02Ft, Clr, 3-55
 Hose, Afmkt, Pvc, Brd, 0.38id, 02ft, Clr, 3-51, 4-23
 Hose, Afmkt, Pvc, Brd, 0.38id, 03ft, Clr, 3-33
 Hose, Afmkt, Pvc, Brd, 0.50id, 01ft, Clr, 3-47
 Hose, Afmkt, Pvc, Brd, 0.50id, 02ft, Clr, 3-47
 Hose, Afmkt, Pvc, Brd, 0.50ld, 08Ft, Clr, 3-53
 Hose, Afmkt, Pvc, Brd, 0.50id, 08ft, Clr, 3-35, 3-37, 3-39, 3-41, 3-51, 3-55
 Hose, Afmkt, Pvc, Brd, 0.50id, 12ft, Clr, 3-49, 3-75, 3-77, 3-79, 3-81
 Hose, Afmkt, Pvc, Brd, 0.75id, 02ft, Clr, 3-33
 Hose, Afmkt, Pvc, Brd, 0.75ld, 08Ft, Clr, 3-53
 Hose, Afmkt, Pvc, Brd, 0.75id, 08ft, Clr, 3-35, 3-39, 3-49
 Hose, Afmkt, Pvc, Clr 0.25id 03ft, 3-21

Hose, Afmkt, Pvc, Clr 0.50id 08ft, 3-25, 3-29
 Hose, Afmkt, Pvc, Clr, 0.25id, 02ft, 3-33
 Hose, Afmkt, Pvc, Clr, 0.25id, 03ft, 3-47
 Hose, Afmkt, Pvc, Clr, 0.38id, 01ft, 3-33
 Hose, Afmkt, Pvc, Clr, 0.38id, 03ft, 3-33
 Hose, Afmkt, Pvc, Clr, 0.50id, 08ft, 3-37, 3-41, 3-55
 Hose, Afmkt, Pvc, Wir, 0.50id, 03ft, Clr, 3-33
 Hose, Afmkt, Rbr, Heater, 0.62id, 02ft, 2-31, 2-41
 Hose, Afmkt, Vacuum, 0.16id 01ft, 3-5
 Hose, Air-Intk, Flex 4.00id 18.0l, 2-125
 Hose, Balancing, Press, 045mm, 2-33
 Hose, Balancing, Press, 680mm, 2-33
 Hose, Coolant, Mold, 1.25id To 1.62id, 2-69
 Hose, Drain, 3.00id X 48.0l, 2-115, 2-123
 Hose, Drain, Eng Oil, 2-25
 Hose, Fuel [Mixer To Epr, 22.5”L], 2-41
 Hose, Fuel, 0.31id [Evap Emission 07], 2-45
 Hose, Fuel, .19, 2-27
 Hose, Fuel, 0.18id, 29.0l, 2-69
 Hose, Fuel, 0.31id 12.0l, 2-43
 Hose, Fuel, 0.31id 24.0l, 2-43
 Hose, Fuel, 0.50id 21.0l, 2-43
 Hose, Fuel, 0.50id, 21.0l, 2-45
 Hose, Heater, 0.38ID, 2-29
 Hose, Heater, 0.38id, 2-39
 Hose, Heater, 0.62id, 024.0l, 2-31
 Hose, Heater, 0.62id, 038.0l, 2-41
 Hose, Heater, E90, 0.62id 07.0 2.0, 2-49, 2-53
 Hose, Heater, E90, 0.62ld, 24.0 4.0, 3-55
 Hose, Heater, E90, 0.62id, 24.0 4.0, 3-37, 3-51
 Hose, Heater, 2-27, 2-29
 Hose, Hyd, 26.0l, 2-25
 Hose, Hyd, Med04, Jf04e90/Jf04str, 016.0, 2-137
 Hose, Hyd, Med06, Jf06e90/Jf06str, 042.0, 2-135
 Hose, Hyd, Med06, Jf06e90/Jf06str, 038.0, 3-17
 Hose, Hyd, Med06, Jf06str/Jf06str, 033.0, 2-135
 Hose, Hyd, Med08, Jf08e45/Jf08str, 046.0, 2-139
 Hose, Hyd, Med08, Jf08e90/Jf08str, 062.0, 2-135
 Hose, Hyd, Med08, Jf08str /Jf08e45, 21.0, 2-135
 Hose, Hyd, Med08, Jf08str/Jf08str, 022.0, 2-137
 Hose, Hyd, Med10, Jf10str/Jf10str, 41.0, 2-135
 Hose, Hyd, Med12, Jf12e90/Jf12str, 50.0, 2-135
 Hose, Hyd, Med12, Jf12e90/Jf12str, 029.0, 2-135

CROSS REFERENCE

- Hose, Hyd, Med12, Jf12str/Jf12str, 052.0, 2-135
- Hose, Hyd, Spcl, Jf10e45/Jf10str, 58.0 (Replaced by 1039148), 2-133
- Hose, Hyd, Spcl, Jf10e90/Jf10str, 63.0, 2-133
- Hose, Hyd, Spcl, Jf10str/Jf10str, 56.5, 2-133
- Hose, Hyd, Suc20, Jf20Str/Jf20E90, 030.0, 2-135
- Hose, Hyd, Tc 06, Jf06str /Jf06e45, 56.0, 2-137, 2-139
- Hose, Hyd, Tc04, Jf04e45/Jf04str, 044.0, 2-141
- Hose, Hyd, Tc04, Jf04e45/Jf04str, 048.0, 2-141
- Hose, Hyd, Tc04, Jf04E45/Qm06, 024.0, 2-141
- Hose, Hyd, Tc04, Jf04E45/Qm06, 028.0, 2-141
- Hose, Hyd, Tc04, Jf04e90/Jf04str, 020.0, 2-137
- Hose, Hyd, Tc04, Jf04str /Jf04str, 20.0, 3-17
- Hose, Hyd, Tc04, Jf04str /Jf04str, 39.0, 3-17
- Hose, Hyd, Tc04, Jf04str/Jf04str, 036.0, 2-139
- Hose, Hyd, Tc04, Jf04Str/Qm06, 028.0, 2-141
- Hose, Hyd, Tc06, Jf06e90/Jf06str, 040.0, 2-133
- Hose, Hyd, Tc06, Jf06e90/Jf06str, 104.0, 2-133
- Hose, Hyd, Tc06, Jf06str /Jf06e45, 54.0, 2-137, 2-139
- Hose, Hyd, Tc06, Jf06str /Jf06e90, 74.0, 3-17
- Hose, Hyd, Tc06, Jf06str /Jf06str, 23.0, 3-17
- Hose, Hyd, Tc06, Jf06str/Jf06str, 033.0, 3-17
- Hose, Hyd, Tc06, Jf06Str/Jf06Str, 054.0, 2-137
- Hose, Hyd, Tc08, Jf08E45/Jf08Str, 026.0, 2-135
- Hose, Hyd, Tc08, Jf08e45/Jf08str, 052.0, 2-139
- Hose, Hyd, Tc08, Jf08e45/Jf08str, 26.0, 2-135
- Hose, Hyd, Tc08, Jf08e45/Jf08str, 96.0, 2-133
- Hose, Hyd, Tc08, Jf08e90/Jf08str, 020.0, 2-139
- Hose, Hyd, Tc08, Jf08e90/Jf08str, 034.0, 3-17
- Hose, Hyd, Tc08, Jf08e90/Jf08str, 046.0, 2-135
- Hose, Hyd, Tc08, Jf08e90/Jf08str, 084.0, 3-17
- Hose, Hyd, Tc08, Jf08e90/Jf08str, 13.0, 2-137
- Hose, Hyd, Tc08, Jf08str/Jf08e90, 012.0, 3-15
- Hose, Hyd, Tc08, Jf08str/Jf08e90, 031.0, 2-135
- Hose, Hyd, Tc08, Jf08Str/Jf08Str, 021.0, 2-135
- Hose, Hyd, Tc08, Jf08Str/Jf08Str, 034.0, 3-17
- Hose, Hyd, Tc08, Jf08str/Jf08str, 040.0, 2-139
- Hose, Hyd, Tc08, Jf08str/Jf08str, 21.0, 2-135
- Hose, Hyd, Tc08, Jf08str/Jf08str, 48.0, 2-137
- Hose, Hyd, Tc12, Jf12e90/Jf12str, 044.0, 2-135
- Hose, Hyd, Med04, Jf04str/Jf04str, 066.0, 2-133
- Hose, Hyd, Tc 04, Jf04str /Jf04e45 , 35.0, 2-141
- Hose, Intake, Mold, 2.00id [Epdm], 2-49, 2-51, 2-53, 2-55
- Hose, Intake, Mold, 2.00id, Gas [Epdm], 2-49
- Hose, Intake, Mold, 2.00id, Lpg [Epdm], 2-53
- Hose, Intake, Mold, 2.0id [Epdm M20/T20], 2-51, 2-55
- Hose, Intake, Mold, 2.0id, Gas, 2-51
- Hose, Intake, Mold, 2.0id, Lpg [Gm 2010], 2-55
- Hose, Intake, Mold, 2.0id, Lpg, 2-55
- Hose, Lpg, Med05, Pm04str/Sm04str, 14.0l, 2-47
- Hose, Lpg, Med05, Pm04str/Sm04str, 55.0l, 2-47
- Hose, Mold, .62 To .75 (Cut in 2), 2-39
- Hose, Mold, .62 To .75, 2-33
- Hose, Pvc, Brd, 0.25id 0.44od 157.2l,Clr, 3-71
- Hose, Pvc, Clr, 0.38id 0.56od 22.00l, 2-27, 2-34, 2-63
- Hose, Pvc, Clr, 0.38id 0.56od 48.00l, 3-3, 3-5
- Hose, Pvc, Clr, 0.38id 0.56od 022.0l, 2-29, 2-39, 2-69
- Hose, Pvc, Clr, 0.50id 0.69od 26.00l, 3-13
- Hose, Pvc, Clr, 0.50id 0.69od 30.00l, 2-71
- Hose, Pyu, 0.25id 0.38od 1220mml, Blk, 3-73
- Hose, Radiator, Lower, Mold, 2-63, 2-69
- Hose, Radiator, Mold, .75ld X .62ld (Cut in two), 2-31
- Hose, Radiator, Upper, Mold, 2-63
- Hose, Rbr, 2.00id 2.50od 05.0l, 2-49, 2-53
- Hose, Rbr, E90 1.25id 1.25id 04.2 03.1, 2-63
- Hose, Rbr, E90, 1.25id 1.25id 04.2 03.1, 2-69
- Hose, Supply, Gas, .25id, 2-39, 2-41
- Hose, Vacuum, 0.22id X 03.0l, 2-29, 2-31, 2-37
- Hose, Vacuum, 1.50id X 10ft, Gray, 3-71
- Hose, Valve, Press Trim, 350mm, 2-33
- Hose, Vent, E90, 0.62id[Gm1.6l 2007], 2-51, 2-55
- Hose, Water, Coil, 0.38id 0.56od, 3-79, 3-81
- Housing Assy, Vacfan, Scrbr, 2-125
- Housing Kit, Pump, Water, 4-3
- Housing Wldt, Brush, Drive, 2-81, 2-83
- Housing Wldt, Swp, Scb, 2-85
- Housing Wldt, Vacfan, Front [528], 2-125
- Housing, Bottom, 4-23
- Housing, Brg, Motor, Hyd, 4-5
- Housing, Camshaft, 5-3, 5-11
- Housing, Cplg, Qf / Pm08, 3-47
- Housing, Motor, Hyd [En], 4-9, 4-11
- Housing, Pump, 2-25
- Housing, Sppt, Rear Wheel, 2-73
- Housing, Throttle, 40mm [Bosch], 2-29, 2-31, 2-33, 2-37
- Housing, Valve, 4-5
- Housing, 4-7
- Housingl, 4-8
- Hsg & Switch Kit, Pump, Repair,, 4-21
- Hub Assy, Wheel, 5 Bolt 4.50bc Taper B, 2-73
- Hub, Drive, Brush, Disk, 1.00B [6T], 2-89
- Hub, Drive, Brush, Disk, 1.00b [6t], 3-7, 3-9
- Hub, Drive, Brush, Disk, 3hole 5.8bc[6t], 2-5, 2-7
- Hub, Drive, Brush, Disk, 3Hole 5.8Bc, 2-5
- Hub, Drive, Brush, Disk, 3hole 5.8bc, 2-5, 2-7

I

- Idler Assy, Brush, Replmt [M20/T20, M30], 2-81, 2-83
- Impeller, 9.5" Dia, 18 Blade (Machined), 2-125
- Indicator, Press, 60psi, 2-147
- Injector Kit, Fuel, Gas, 2-27
- Insert, Cap, Mount, Es Pump, 4-3
- Insert, Cplg, Qm, Bm08, 3-47
- Insert, Plt, Cam, Pump, Hyd, 4-7
- Instr. Repair Info, Motor, 4-8
- Instr, Maint, Wall Chart [T20], 3-88
- Instr, Motor, Hyd, Repair [En], 4-9, 4-11
- Instr, Repair, Motor, Hyd, Gear, 4-5
- Instr, Repair, Pump, 4-7
- Instr, Seal Kit, Motor, 4-10
- Instr, Valve, Steering, Repair, 4-19
- Insulation, Acstc, Rnd, 0.8, 02.5d 0.5h, 2-19
- Insulation, Flame-Retardant, 0.5, 2-23, 2-43, 2-45
- Insulation, Flame-Retardant, 0.50, 2-125
- Insulation, Flame-Retardant, 0.75-0.88, 2-13, 2-125
- Insulation, Flame-retardant, 0.75-0.88, 2-13, 2-17
- Insulation, Flame-Retardant, 1.0, 2-17
- Insulation, Shrd, Eng, Gusset, 2-23

Insulation, Thermal, Hydraulic Blanket, 2-147
 Insulation, 3-67
 Isolator [Epr], 2-39, 2-41
 Isolator, Box, Relay, 2-29, 2-31, 2-37
 Isolator, Mtg, Vaporizer, Rbr, 2-33
 Isolator, Rbr, 2-59, 2-61
 Isolator, Vib, .50d, 2-25
 Isolator, Vib, Bshg, 1.1d 0.6l .4b 0.78h, 2-63, 2-67, 2-125

K

Key, Ignition [Set Of 2], 1-1, 2-15
 Key, Motor, Hyd, 4-5
 Key, Shaft, Pump, Hyd, 4-7
 Key, Sq, 0.12 X 0.12, 0.50l, 2-57
 Key, Sq, 0.12 X 0.12, 0.75l, 4-10
 Key, Sq, 0.12 X 0.12, 1.00l (Included With Motor), 2-125
 Key, Sq, 0.25 X 0.25, 1.25l, 2-81, 2-83
 Key, Valve Stem, 5-3
 Key, Woodruff, 0.25 1.00 [Asa#0808], 4-9, 4-11
 Key-Wdruff 0.25 1.00, 4-8
 Kit, Bellows, Pump, Detgt, 4-20
 Kit, Brush, Motor, Ele, 4-3
 Kit, Seal, Motor, Hyd, Gear[Barns], 2-125, 4-10
 Kit, Seal, Motor, Hyd, 4-5
 Kit, Seal, Valve, Hyd [Cec], 4-10
 Kit, Valve, Check, Pump, Water, 4-3
 Knob Assy, Star, 1.12d 3ear M10, 2-101
 Knob, Rnd, 1.04d 1.18l .25-20 Yel Plstc, 2-95
 Knob, Star, 2.80d 4ear 1.1l .31-18 Pyp, 2-99
 Knob, Tee, 2.5x1.0 1.1l 0.38-16 Plstc, 2-19

L

Label [User, Attention, ec-H2O], 2-189
 Label Kit, Panel, Replmt [T20 ec-H2O only], 2-15
 Label Kit, Panel, Replmt [T20], 2-15
 Label Set, Brush Indicator & Removal, 2-189
 Label Set, Hi Temp, 2-189
 Label Set, Info/Hzrd, Swpr / Scrbr, Tj (Japan Only), 2-189
 Label Set, Info/Hzrd, Swpr / Scrbr, 2-189
 Label, Caution [Apply Parking Brake] (Japan Only), 2-189
 Label, Caution [Apply Parking Brake], 2-189
 Label, Logo, 05.75L 2Color [ES], 2-189
 Label, Logo, 07.95L 2Color [FaST], 2-189
 Label, Logo, 12.3L 4Color [ec-H2O], 2-189
 Label, Logo, 16.9L 4Color [ec-H2O], 2-189
 Label, Model, 2Color [T20], 2-189
 Label, Switch, Rocker [T20], 2-15

Lamp Strobe, Amb [12-48 Vdc], 3-63, 3-65
 Lamp, 12vdc [Speaker], 2-9
 Lamp, Bulb, Flsh, 3-61, 3-64
 Lamp, Bulb, Strobe, 3-63, 3-65
 Lamp, Flasher, Amb [12-48 Vdc], 3-61, 3-64
 Lamp, Halogen [Speaker], 2-9
 Latch Assy, Mtg, Tank, Lpg, W/Nut, 2-47
 Latch Kit, Disk, Replmt [T20], 2-89
 Latch Wldt, Head, Disk, 2-89
 Latch, Cover, 2-112
 Latch, Door [Southco 91-562-07], 2-23, 2-103, 2-107
 Latch, Hook, 2-105, 2-109
 Latch, 2-17, 2-63, 2-81, 2-83, 2-95, 2-111, 2-112, 3-83
 Lens, Blue, Option, F/ Revl / Flsh Light, 3-61, 3-63, 3-64, 3-65
 Lens, Lamp, Amb, Strobe/Flasher, 3-61, 3-63, 3-64, 3-65
 Lens, Red, Option, F/ Revl / Flsh Light, 3-61, 3-63, 3-64, 3-65
 Light Kit, Flsh, Ci [M20 And T20], 3-61
 Light Kit, Flsh, W/Ohg, Ci[M20 And T20], 3-64
 Light Kit, Revl, Ci [M20 And T20], 3-63
 Light Kit, Revl, W/Ohg, Ci [M20 And T20], 3-65
 Light, Led, .312D, 2 Volt [Tri-Color] (ec-H20 only), 2-15
 Light, Panl, 14vdc, , 1.1 X 1.0, 2-15
 Light, Tail, 12vdc, 2-9
 Link Assy, Rod-End, M12, 2-93
 Link, .25 1.4w 3.2l 2/5h, 3-85
 Lip Kit, Debris, Replmt [T20], 2-95
 Lock, Secondary, 2cav, Mp280 Sealed, 4-21

M

Magnet, Drive Brush, 2-47
 Maint Kit, 400hr [M20/T20/M30 Lpg 2010], 1-1
 Maint Kit, 800hr [M20/T20/M30 Lpg 2010], 1-1
 Maint Kit, Gas, 400hr[M20/T20], 1-1
 Maint Kit, Gas, 800hr[M20/T20], 1-1
 Maint Kit, Lpg, 400hr[M20/T20], 1-1
 Maint Kit, Lpg, 800hr[M20/T20], 1-1
 Manifold Assy, Cntrl, Soltn, 2-119
 Manifold Wldt, Cntrl, Soltn, 2-119
 Manifold, Bar, Spray, 37.5inch, 2-117
 Manifold, Exhaust, 5-9
 Manifold, Gas, Relief, Valve, 2-45
 Manifold, Intake [1.6l], 2-27, 2-29, 2-31, 2-33, 2-37
 Manifold, Water, 3-47
 Manual, Eng, Cd-Rom [Tier II,GM1.6L], 3-88
 Manual, Oprtr [T20 Gas/Lpg En], 3-88
 Manual, Oprtr [T20 Gas/Lpg Es], 3-88
 Manual, Oprtr [T20 Gas/Lpg Fr], 3-88
 Manual, Parts [T20 Gas/Lpg En/Jp], 3-88

Manual, Service [T20 En], 3-88
 Manual, Service, Eng [Gm1.6l], 3-88
 Manual, Service, Eng[Gm1.6l Em Cert], 3-88
 Mat, Floor, 2-11
 Media, Cd-Rom, Training [ec-H2O Tennant], 3-88
 Mirror, Convex, 0.50D, 3-67
 Mixer [E100lp Gm1.6l 2010], 2-37
 Mixer, Lpg [Gm 1.6l], 2-33
 Mixer, W/70deg Ftg, 2-37
 Module Kit, Replmt [Ec-H20] (See Breakdowns), 3-45
 Module Kit, Replmt [Ec-H20], 4-23
 Module, Ecu, Gas [Gm 1.6l], 2-27
 Module, Ecu, Gas [Gm1.6l 2010], 2-31
 Module, Ecu, Gas [Gm1.6l 2700], 2-29
 Module, Ecu, Lpg [Gm 1.6l], 2-33
 Module, Ecu, Lpg [Gm1.6l 2007], 2-37
 Module, Ecu, Lpg [Gm1.6l 2010], 2-37
 Molding, Afrmkt, Trim, Pvc, .08 .11, 01Ft, 3-45
 Molding, Afrmkt, Trim, Pvc, .08 .11, 1ft, 2-11
 Molding, Trim, Pvc, .08-.11 13.2l, 2-45
 Motor Kit, Pump, Repair,, 4-21
 Motor Kit, Replmt [M20&T20], 2-125
 Motor, Ele, 12vdc, Pump, Water, 4-3
 Motor, Ele, Gear, 14vdc, Pump, Detgt, 4-20
 Motor, Hyd Gear In 4.5 B 1500, 4-8
 Motor, Hyd, Gear, [Int], 19.0 X 3000, 4-5
 Motor, Hyd, Gear, Ext 0.19 Rh 3000, 4-10
 Motor, Hyd, Gear, Int 04.5 Bi-Dir 1500 (See Breakdowns), 2-81, 2-83
 Motor, Hyd, Gear, Int 08.9 Bi-Dir 2500 (See Breakdowns), 3-7, 3-9
 Motor, Hyd, Gear, Int 08.9 Bi-Dir 2500, 4-9
 Motor, Hyd, Gear, Int 09.7 Bi-Dir 2500 (See Breakdowns), 2-89
 Motor, Hyd, Gear, Int 09.7 Bi-Dir 2500, 4-11
 Motor, Hyd, Gear, Int 19.0 Bi-Dir 3000 (See Breakdowns), 2-73
 Mount Wldt, Eng, Gas/Lpg, 2-25
 Mount Wldt, Valve, Pinch, Lh, 2-123
 Mount Wldt, Valve, Pinch, Rh, 2-115
 Muffler, Catalytic [Gm 1.6], 2-59
 Muffler, Catalytic [Gm 1.6l 2007], 2-61
 Muffler, Catalytic [Gm 1.6l 2010], 2-61
 Muffler, Short [Non-Catalytic Gm1.6/3.0], 2-59

N

Nozzle kit, Spray, Ci [T20], 3-79
 Nozzle Kit, Spray, W/Pwr Wand, Ci [T20], 3-81
 Nozzle, Spray, Gun, 3-79, 3-81
 Nozzle, Wand, Plstc, 14.0lg, 3-69
 Nozzle, 3-79, 3-81
 Nut, Coil, F/#8, 4-13, 4-15
 Nut, Coil, Nyl Patch, 4-17

CROSS REFERENCE

- Nut, Flng, M05-0.8 [Gm1.6L Lp 2010], 2-37
- Nut, Hex, Flng, M6 X 1.00, 2-67
- Nut, Hex, Flng, M8 X 1.25, 2-39, 2-41, 2-145
- Nut, Hex, Jam, .31-24, 2-77
- Nut, Hex, Jam, .50-20, Lh, 2-85
- Nut, Hex, Jam, .50-20, 2-85, 3-11
- Nut, Hex, Jam, M10 X 1.5, Ss, 2-47, 2-57
- Nut, Hex, Jam, M20 X 1.5, 2-19
- Nut, Hex, Lock, .25-20, NI, Ss, 2-79
- Nut, Hex, Lock, .25-20, NI, 2-43, 2-45, 2-125
- Nut, Hex, Lock, .31-18, NI, Thin, 2-17
- Nut, Hex, Lock, .31-18, NI, 2-17, 2-57
- Nut, Hex, Lock, .38-16, NI, Ss, 2-47, 3-11
- Nut, Hex, Lock, .38-16, NI, Thin, 2-47, 2-79, 2-125
- Nut, Hex, Lock, .50-13, NI, Ss, 2-101
- Nut, Hex, Lock, .50-13, NI, Thin, 2-85
- Nut, Hex, Lock, .50-20, NI, Thin, 2-85
- Nut, Hex, Lock, .75-10, NI, 2-73
- Nut, Hex, Lock, #08-32, NI, 2-15
- Nut, Hex, Lock, M10 X 1.5, NI, Ss (Disk Scrub Head), 2-9
- Nut, Hex, Lock, M10 X 1.5, NI, Ss, 2-101
- Nut, Hex, Lock, M10 X 1.5, NI, 2-47, 2-63, 2-67, 2-145, 3-67, 3-85
- Nut, Hex, Lock, M12 X 1.75, NI, Ss, 2-85, 2-91, 2-93, 2-95
- Nut, Hex, Lock, M12 X 1.75, NI, 2-25, 2-75
- Nut, Hex, Lock, M4 X 0.7, NI, Ss, 2-23, 2-79, 2-103, 2-107, 3-3
- Nut, Hex, Lock, M4 X 0.7, NI, 2-17, 2-23, 2-64, 3-21
- Nut, Hex, Lock, M4 X 0.70, NI, Ss, 3-45
- Nut, Hex, Lock, M5 X 0.8, NI, Ss, 2-81, 2-83, 2-117, 3-13, 3-19, 3-25, 3-29
- Nut, Hex, Lock, M5 X 0.8, NI, 2-17, 2-27, 2-33, 2-71
- Nut, Hex, Lock, M5 X 0.80, NI, Ss, 3-37, 3-41, 3-51, 3-55, 3-59, 3-61, 3-63, 3-64, 3-65, 3-83
- Nut, Hex, Lock, M5 X 0.80, NI, 3-45, 3-75, 3-79
- Nut, Hex, Lock, M6 X 1.0, NI, 2-17, 2-19, 2-21, 2-27, 2-33, 2-49, 2-53, 2-63, 2-71, 2-77
- Nut, Hex, Lock, M6 X 1.0, Ss, NI, 2-15, 2-59, 2-117
- Nut, Hex, Lock, M6 X 1.00, NI, 2-11, 2-51, 2-55, 2-67
- Nut, Hex, Lock, M6 X 1.00, Ss, NI, 2-87, 2-89, 2-91, 2-93, 2-95, 2-97, 2-119, 2-121, 3-3, 3-75, 3-77
- Nut, Hex, Lock, M8 X 1.25, NI, Ss, 2-59, 2-61, 2-63, 2-69, 2-79, 2-81, 2-83, 2-89, 2-93, 2-95, 2-97, 2-99, 2-101, 2-103, 2-105, 2-107, 2-109, 2-111, 2-115, 2-123, 3-7, 3-13, 3-15
- Nut, Hex, Lock, M8 X 1.25, NI, 2-9, 2-11, 2-23, 2-43, 2-45, 2-47, 2-49, 2-51, 2-53, 2-55, 2-57, 2-63, 2-69, 2-71, 2-77, 2-79, 2-105, 2-109, 3-15
- Nut, Hex, M10 X 1.5 [Stover], 2-59
- Nut, Hex, M10 X 1.50 [Stover], 2-59, 2-61
- Nut, Hex, Slted, .75-16, 2-75
- Nut, Hex, Slted, 1.12-18, 2-73
- Nut, Hex, Slted, M20 X 2.5, 8, 2-81, 2-83
- Nut, Hex, Std, .25-20, 2-29, 2-31, 2-37
- Nut, Hex, Std, .25-28, Lh, 2-77
- Nut, Hex, Std, .25-28, 2-77, 2-79
- Nut, Hex, Std, .31-18, 2-57, 3-67
- Nut, Hex, Std, .38-16, 2-61
- Nut, Hex, Std, M12 X 1.75, Ss, 2-105, 2-109
- Nut, Hex, Std, M16 X 2.0, 2-21
- Nut, Hex, Std, M5 X 0.8, 8, 2-25, 2-79
- Nut, Hex, Std, M6 X 1.00, 8, 3-45
- Nut, Hex, Std, M8 X 1.25, Brs, 2-25
- Nut, Hex, Std, M8 X 1.25, Ss, 2-79, 2-91, 2-105, 2-109
- Nut, Hex, Std, M8 X 1.25, 2-11, 2-57
- Nut, Hex, Stover, M8 X 1.25, 2-67
- Nut, Isolator, .38-16 Wall Th .015-.437, 3-75, 3-77
- Nut, Low Crown, .50-20, 2-125
- Nut, Manifold, Exhaust, M8 X 1.25, 5-9
- Nut, Motor, Hyd, 4-5
- Nut, Solenoid, 4-13, 4-15
- Nut, T, M10 X 1.50 X 15.80d X 13.0l, 2-103, 2-107
- Nut, T, M4 X 0.70, 2-5
- Nut, T, M8 X 1.25 X 14.50d X 9.5l, 3-7
- Nut, Thumb, M6 X 1.0, 30d, 3-73
- Nut, Wheel, .50-20 X 60 Angle, 2-73
- Nut-Hxslot .75-16 Pltd, 4-8
- Panel Kit, Instmt, Replmt [T20 ec-H20 only], 2-15
- Panel Kit, Instmt, Replmt [T20], 2-15
- Panel Wldt, Adj [2007], 2-11
- Panel Wldt, Adj, 2-11
- Panel Wldt, Filler, 2-9
- Panel Wldt, Gas, Replmt [W/Fast], 2-11
- Panel Wldt, Gas, Replmt, TJ (Japan only), 2-11
- Panel Wldt, Gas, Replmt, TJ [W/Fast] (Japan only), 2-11
- Panel Wldt, Gas, Replmt, TJ, W/Es (Japan only), 2-11
- Panel Wldt, Gas, Replmt, 2-11
- Panel Wldt, Gas, W/ Es, Replmt, 2-11
- Panel Wldt, LPG, Replmt [W/Fast], 2-11
- Panel Wldt, LPG, Replmt, TJ (Japan only), 2-11
- Panel Wldt, LPG, Replmt, TJ [W/Fast] (Japan only), 2-11
- Panel Wldt, LPG, Replmt, TJ, W/Es (Japan only), 2-11
- Panel Wldt, LPG, Replmt, W/Es, 2-11
- Panel Wldt, LPG, Replmt, 2-11
- Panel Wldt, Shrd, Fan, 2-63
- Panel, Access, Debris Tray, 2-97
- Panel, Access, Door, 2-11
- Panel, Access, Floor, 2-11
- Panel, Instmt, Rh, Gas, Replmt, 2-15
- Panel, Instmt, Rh, Lpg, Replmt, CE/TJ (Japan only), 2-15
- Panel, Instmt, Rh, Lpg, Replmt, 2-15
- Pawl, Str, 2-81, 2-83
- Pedal, Brake, Lock, 2-77
- Pedal, Propel, 2-78
- Pin Kit, Wheel, Ci [M20/T20/M30], 2-9, 3-13
- Pin Wldt, Front, 2-99, 3-9
- Pin Wldt, Lift (Replaced By 9003478), 2-101
- Pin Wldt, 3-11
- Pin, 0.63d 01.8l, 1/M10h, 2cham, 2-101
- Pin, 30mmd X 215mml, 2-9, 3-13
- Pin, Clevis, 0.19d X 0.63l, 2-93
- Pin, Clevis, 0.25d X 0.75l, 2-77
- Pin, Clevis, 0.25d X 2.44l, 2-93
- Pin, Clevis, 0.31d X 0.75l, 3-7
- Pin, Clevis, 0.31d X 1.00l, 2-77
- Pin, Clevis, 0.37d X 1.31l, 3-11
- Pin, Clevis, 0.37d X 1.50l, 3-11
- Pin, Clevis, 0.37d X 1.75L, 2-105, 2-109
- Pin, Clevis, 0.37d X 1.75l, 2-85, 2-91, 3-11
- Pin, Clevis, 0.37d X 2.00l, 2-93
- Pin, Clevis, 0.50 D X 4.50l, 2-78
- Pin, Clevis, 0.50d X 2.50l, 2-93
- Pin, Clevis, 0.62d X 2.12l, 2-91
- Pin, Clevis, 0.75d X 2.00l, 2-85, 2-91
- Pin, Cotter, .062 X 0.50, 2-77
- Pin, Cotter, .062 X 0.75, 2-93
- Pin, Cotter, .094 X 1.00, 2-77, 2-91, 2-93, 3-7, 3-11
- Pin, Cotter, .094X0.75, 2-93

O

Ohg Kit, Ci [M20 And T20], 3-67

P

- Pad, Buff, 14.0d, Red, 2-5
- Pad, High Productivity Stripping, 14.0d, Blk, 2-5
- Pad, Pedal, Brake, 3.96l 2.36w 0.75, 2-77
- Pad, Polish, 14.0d, White [1pad=1pc], 2-5
- Pad, Scb, 14.0d, Blu [1pad=1pc], 2-5
- Pad, Stripping, 14.0d, Brown [1pad=1pc], 2-5
- Pad, Surf Prep, 14.0D Maroon, [1PICK=1PAD], 2-5
- Pad, Tank, Hyd [W/Psa], 2-145, 2-147
- Paint, Airdry, Blk, 12oz, 1-2
- Paint, Airdry, Gray, 12oz [Enamel], 1-2
- Paint, Airdry, Iron Gray, 12oz [Pwdr Coat], 1-2
- Paint, Airdry, Off-White, 12oz, 1-2
- Paint, Airdry, Teal, 12oz, Solid, 1-2
- Pan, Oil, W/ Baffle / Plug / Seal, 5-8

Pin, Cotter, .125 X 1.00, 2-79, 2-105, 2-109
 Pin, Cotter, .125 X 1.25, 2-81, 2-83, 2-91
 Pin, Cotter, .125 X 2.00, 2-73
 Pin, Cotter, .156 X 1.25, 2-85
 Pin, Cotter, .156 X 2.00, 2-75
 Pin, Cotter, Hair, 0.31d .058 Wir, 2-17
 Pin, Cotter, Hair, 0.38d .072 Wir, 2-85, 2-91, 2-93
 Pin, Cotter, Hair, 1.00d .178 Wir, 2-9, 3-13
 Pin, Cotter, Hair, Dbl, 2-9, 3-13
 Pin, Dowel, Pump, Hyd, 4-7
 Pin, Grvd, 0.43d 01.8l [303ss], 2-99, 3-9
 Pin, Hitch, .375d X 3.12l, Pl, 3-7, 3-9, 3-85
 Pin, Lift, Drain, 2-121
 Pin, Locating, Lpg, 2-47
 Pin, Lock, Cyl Head, 14mm X 17mm, 5-3, 5-5
 Pin, Lock, Transmission, 5-5
 Pin, Locking, Steering, Tilt, 2-19
 Pin, Retainer, 2-33
 Pin, Ring, Lock, Hsng, Water Pump, 5-7
 Pin, Roll, .187d X 1.62l, .187/.192, 2-9, 3-13
 Pin, Valve, Steering, 4-19
 Piston, Pump, Hyd, Gear, 4-5
 Piston, W/ Pin, Std, 5-5
 Pivot Wldt, Brush, Side, 3-11
 Plate Assy, Orifice, 0.0105id, Green, 4-24
 Plate Kit, Repair, 2-25
 Plate Wldt, Fan, Hub [Gm 1.6l], 2-57
 Plate Wldt, Hose, Vacuum, 2-125
 Plate Wldt, Mtg, 3-45
 Plate Wldt, Retainer, Sqge, 3-9
 Plate Wldt, Seat, 2-17
 Plate, Backing, Brake, 2-75
 Plate, Bmpr, Lh, 3-86
 Plate, Bmpr, Rh, 3-86
 Plate, Cam, 4-7
 Plate, Cover, 4-7
 Plate, Guard, Belt [Gm 1.6l], 2-25
 Plate, Guard, Fan Shrd, Gas/Lpg, Replmt, 2-63
 Plate, Handle, 2-81, 2-83
 Plate, Hook, Latch, 3-83
 Plate, Hsng [Fast], 3-19
 Plate, Inspection, 3-45
 Plate, Label, Soltn Tank (ec-H20 only), 2-112
 Plate, Mtg, Latch, 2-111, 2-112
 Plate, Mtg, Light, 2-15
 Plate, Mtg, Prop Rod, 2-121
 Plate, Mtg, Pump, 3-45
 Plate, Mtg, Relay, 2-29, 2-31, 2-37
 Plate, Mtg, Seal, 2-21, 2-63
 Plate, Mtg, Skirt, Scb Head, 2-87
 Plate, Mtg, Valve, 3-25, 3-29, 3-37, 3-41, 3-51, 3-55
 Plate, Orifice, 0.070id, 3-19
 Plate, Orifice, 0.093id, 3-19
 Plate, Seal, Sound, 2-23
 Plate, Shield, Heat, Gas/Lpg, Replmt, 2-59, 2-61

Plate, Skirt, Front, 2-87
 Plate, Spacer, Motor, Hyd [En], 4-9, 4-11
 Plate, Sppt, 2-77, 2-93
 Plate, Stop, Brake, 2-77
 Plate, Valve, Motor, Hyd, 4-5
 Plate, Valve, Pump, Hyd, 4-7
 Plate, Wear, Steering Valve, 4-19
 Plug #10, 4-8
 Plug #4, 4-8
 Plug Assy [CI], 4-19
 Plug Kit, Drain, Recvy, Ci [M20 & T20], 2-121
 Plug Wldt, Drive, Brush, Sweep, 2-81, 2-83
 Plug Wldt, Drive, Brush, 2-81, 2-83
 Plug, .12npt, Ss, 2-29, 2-31, 2-33, 2-37
 Plug, Bore, Valve, Relief, Oil Press, 5-7
 Plug, Drain, Expandable, 4.75-6.00, 2-121
 Plug, Drain, Oil Pan, M14 X 1.5 X 12, 5-8
 Plug, Hole, Coolant, Eng Block, 5-5
 Plug, Hole, Core, Eng Block, 5-8
 Plug, Hole, Injector, 2-33, 2-37
 Plug, Hole, Rnd, 0.50h .03-.12, Blk Nyl, 2-15
 Plug, Hole, Rnd, 0.81h, Blk, 2-11
 Plug, Hole, Rnd, 0.88h .03-.12, Blk Nyl, 2-11
 Plug, Hole, Rnd, 1.00h .03-.12, Blk Nyl, 2-11
 Plug, Hole, Rnd, 1.25H .03-.12, Blk Nyl, 2-17
 Plug, Hole, Rnd, 2.50h .03-.25, Blk Nyl, 2-11
 Plug, Hole, Rt, Rocker Switch, .87 X 1.7, 2-15
 Plug, Hole, Soltn Tank, Blk Pyu, 2-111
 Plug, Hose, Pyu, 2-115, 2-123
 Plug, Hsng, Oil Pump, 5-7
 Plug, Manifold, Intake, 2-27, 2-29, 2-31, 2-33, 2-37
 Plug, Orifice, 0.060, Ss [Fast li+], 4-24
 Plug, Orifice, Valve, Hyd, .040, 4-13, 4-17
 Plug, Orifice, Valve, Hyd, .046, 4-15
 Plug, Orifice, Valve, Hyd, .063, 4-15
 Plug, Port, Sensor [Map], 2-27, 2-29, 2-31, 2-33, 2-37
 Plug, Pump, Hyd, Gear, 4-5
 Plug, Restrictor, 3-51
 Plug, Rsestrictor, 3-55
 Plug, 4-5
 Poppet, Pump, Hyd, Gear, 4-5
 Pouch, 3-47
 Pulley, Tension, Belt, Timing, 5-11
 Pump Assy, Column, Es (See Breakdowns), 3-5
 Pump Assy, Column, Es, 4-3
 Pump Kit, Hyd, Rotating [Cessna], 4-7
 Pump Kit, Mtg, Aux, Ci [M20 & T20], 2-143
 Pump, Diaphragm, 4-21
 Pump, Air, Ele, 12vdc, 3-21
 Pump, Detgt, 12vdc, 3-21
 Pump, Detgt, 14vdc, 150ml/Min 20psi (See Breakdowns), 3-3

Pump, Detgt, 14vdc, 150ml/Min 20psi, 4-20
 Pump, Diaphragm, 3-75, 3-79
 Pump, Fuel, Hi Press [Gm 1.6l/3.0l], 2-43, 2-45
 Pump, Hyd, Piston, Var, 1.24 4000, Cw (See Breakdowns), 2-143
 Pump, Hyd, Piston, Var, 1.24 4000, Cw, 4-7
 Pump, Oil, 5-7
 Pump, Soltn, 13.7vdc, 65psi [Fast li+], 3-33
 Pump, Soltn, Ele, 12vdc [W/O Chk Valve], 3-19
 Pump, Soltn, Ele, 13.7vdc, 12/28psi, 3-45
 Pump, Water [Gm], 5-7

Q

Qd36Gasket, Body, Throttle [1.6l], 2-27

R

Race Thrust, 4-8
 Race, Brg, Pump, Hyd, 4-7
 Radiator (Replaced by 1045316), 2-64
 Radiator, W/ Hyd Cooler [Side X Side], 2-67
 Radiator, 2-64
 Rail, Injector, Fuel, Plstc, 2-29, 2-31
 Rail, Injector, Gas, W/ Press Reg, 2-27
 Receptacle, Lamp [Speaker], 2-9
 Regulator [Ep], 2-39, 2-41
 Relay, 12vdc, 20a, Spdt, 2-187
 Relay, 12vdc, 40a, Spdt N/O, 2-71, 3-19
 Relay, 12vdc, 40a, Spdt, 2-187
 Relay, 12vdc, 040a, Spdt No, 3-33, 3-45, 3-75, 3-79
 Reservoir, Hyd, 10.0Gal, Replmt, 2-147
 Resistor, Ele, Plug [430 , 2w], 3-58
 Restrictor, Jet, Coolant, 2-33
 Retainer, Boot, Steering Column, 2-19
 Retainer, Camshaft, 5-11
 Retainer, Motor, Hyd, 4-5
 Retainer, Ring, Brake, 2-75
 Retainer, Skirt, Disk Head, 2-91
 Retainer, Skirt, Front, 2-87
 Retainer, Skirt, 2-87
 Retainer, Sparkplug, 1 Way, 5-12
 Retainer, Sparkplug, 2 Way, 5-12
 Retainer, Sparkplug, 3 Way, 5-12
 Retainer, Sqge, Side, Lh, 2-107
 Retainer, Sqge, Side, Rh, 2-103
 Retainer, Sqge, Wand [17b/E], 3-73
 Retainer, Sqge, 3-7
 Ring Kit, Piston, Std 78.95-79.02mm, 5-5
 Ring, Lock, 4-7
 Ring, Motor, Hyd, 4-5
 Ring, Mtg, Sqge, .50l, 2-99
 Ring, Retainer, Steering Valve, 4-19
 Ring, Retaining, Ext, 0.38d, [E-Ring], 2-99, 2-101, 3-9

CROSS REFERENCE

Ring, Retaining, Ext, 0.50d, Hd, 2-19
Ring, Retaining, Ext, 0.62d, Hd, 2-101
Ring, Retaining, Ext, 0.98d, [E-Ring], 2-77
Ring, Retaining, Ext, 1.00d, Basic, 2-81, 2-83
Ring, Retaining, Pump, Hyd, 4-7
Ring, Retaining, 4-7
Rivet, Blind [S2500 Drvblock], 3-73
Rivet, Blind, .125d X 0.54 X .25d, Alm, 2-111, 2-112
Rivet, Plstc, .250 X 0.898, 3-69
Rivet, Plstc, .250d X 0.898, 2-19
Rivet, Plstc, .250d X 0.90, 3-47, 3-75, 3-77
Rod, Connecting, M08 X 45, 5-5
Rod, Hanger, Isolator, 2-61
Rod, Latch, 2-95
Rod, Thrd, 2 End, .50-20 04.9l, Rh / Lh, 2-85
Rod-End, .25-28rh Fem 0.25b [Teflon], 2-79
Rod-End, .50-20lh Fem 0.50-20stud, 2-85
Rod-End, .50-20rh Fem 0.50b, 2-85
Rod-End, .50-20rh Mal 0.50b, 3-11
Rod, 2-77
Roller, Brg, 2-115, 2-123

S

Screen, Oil Pump, W/ Suc Pipe, 5-7
Screen, Pump, 3-5
Screen, Vacuum, 2-121
Screw, Adj, Valve, Hyd, 5-3
Screw, Btn, M8 X 1.25 X 16, Ss, 3-13
Screw, Btn, M8 X 1.25 X 20, Blk, 2-103, 2-107, 2-115, 2-123, 3-83
Screw, Btn, M8 X 1.25 X 25, Ss, 3-7
Screw, Btn, M8 X 1.25 X 40, Ss, 2-97
Screw, Cap, Motor, Hyd, 4-5, 4-11
Screw, Cap, 4-7
Screw, Flt, .25-20 X 1.00, Al, 2-125
Screw, Flt, .38-16 X 0.75, Al, 2-57
Screw, Flt, .38-16 X 1.00, Al, 2-57
Screw, Flt, .38-16 X 1.50, Al, 2-125
Screw, Flt, M10 X 1.5 X 25, 10.9, 2-103, 2-107
Screw, Flt, M8 X 1.25 X 25, 2-23
Screw, Flt, M8 X 1.25 X 30, Ss, 2-115, 2-123
Screw, Hex, .25-10 X 0.75, Fmg/a, Ss, 2-121
Screw, Hex, .25-20 X 0.50, 5, 2-25
Screw, Hex, .25-20 X 0.50, G5, 2-29, 2-31, 2-37
Screw, Hex, .25-20 X 0.75, G5, 2-29, 2-31, 2-37
Screw, Hex, .25-20 X 1.00, 5, 3-7, 3-9
Screw, Hex, .25-20 X 1.00, G5, 2-89
Screw, Hex, .25-20 X 1.75, Ss, 2-79
Screw, Hex, .25-20 X 2.25, Ss, 2-79
Screw, Hex, .31-18 X 1.75, 5, 2-57
Screw, Hex, .31-18 X 4.50, 5, 2-57
Screw, Hex, .31-24 X 0.75, NI, 2-79
Screw, Hex, .38-16 X 0.75, G5, 2-57
Screw, Hex, .38-16 X 0.75, NI, 2-81, 2-83, 3-7, 3-9
Screw, Hex, .38-16 X 0.88, G5, 3-85
Screw, Hex, .38-16 X 1.00, 5, 2-43, 2-79
Screw, Hex, .38-16 X 1.00, G5, 2-89
Screw, Hex, .38-16 X 1.25, 5, 2-143
Screw, Hex, .38-16 X 1.25, G5, 3-75, 3-77
Screw, Hex, .38-16 X 1.25, NI, 2-79
Screw, Hex, .38-16 X 1.50, Ss, 3-11
Screw, Hex, .38-16 X 2.00, Ss, 2-79
Screw, Hex, .38-16 X 3.00, 5, 2-47
Screw, Hex, .38-16 X 3.75, 5, 2-47
Screw, Hex, .50-13 X 1.25, 5, 2-25
Screw, Hex, .50-13 X 1.50, 5, 2-85
Screw, Hex, .50-13 X 3.00, Ss18-8, 2-101
Screw, Hex, .75-10 X 4.00, 5, 2-73
Screw, Hex, #10-16 X 0.62, Fmg [Ab], 3-79, 3-81
Screw, Hex, #10-16 X 0.62, Fmg, [Ab], 2-21
Screw, Hex, #10-24 X 0.50, Ss, 2-57
Screw, Hex, M07-1.00 X 23.0, 8.8, 2-25
Screw, Hex, M10 X 1.5 X 16, 8.8, 2-19
Screw, Hex, M10 X 1.5 X 20, 8.8, 2-57
Screw, Hex, M10 X 1.5 X 25, 8.8, 2-11, 2-25
Screw, Hex, M10 X 1.5 X 25, Ss, 2-85, 2-105, 2-109
Screw, Hex, M10 X 1.5 X 30, 8.8, 3-67
Screw, Hex, M10 X 1.5 X 30, Ss, 2-9, 2-111, 3-13, 3-85
Screw, Hex, M10 X 1.5 X 35, 8.8, 2-59, 2-61
Screw, Hex, M10 X 1.5 X 35, Ss (Disk Scrub Head), 2-9
Screw, Hex, M10 X 1.5 X 45, 8.8, 3-85
Screw, Hex, M10 X 1.5 X 80, 8.8, 3-85
Screw, Hex, M10 X 1.50 X 20, 8.8, 2-61
Screw, Hex, M10 X 1.50 X 25, 8.8, 2-67
Screw, Hex, M10 X 1.50 X 25, Ss, 3-86
Screw, Hex, M10 X 1.50 X 30, 8.8, 3-86
Screw, Hex, M10 X 1.50 X 45, 8.8, 2-67, 3-86
Screw, Hex, M12 X 1.75 X 30, 8.8, 3-11
Screw, Hex, M12 X 1.75 X 30, Ss, 2-9, 2-95
Screw, Hex, M12 X 1.75 X 40, 8.8, 2-75, 2-85, 2-91
Screw, Hex, M12 X 1.75 X 40, Ss, 2-95
Screw, Hex, M12 X 1.75 X 50, 8.8, 2-9
Screw, Hex, M12 X 1.75 X 55, Ss, 2-95, 2-105, 2-109
Screw, Hex, M12 X 1.75 X 60, 8.8, 2-25, 2-91
Screw, Hex, M16 X 2.0 X 90, 8.8, 2-21
Screw, Hex, M4 X 0.7 X 12, 8.8, 3-21
Screw, Hex, M4 X 0.7 X 20, 8.8, 3-75, 3-77
Screw, Hex, M4 X 0.70 X 10, Fmg, Blk, 2-111, 2-112
Screw, Hex, M4 X 0.70 X 12, 8.8, 3-45
Screw, Hex, M4 X 0.70 X 50, Ss, 4-23
Screw, Hex, M5 X 0.8 X 10, Fmg, 2-85, 3-85
Screw, Hex, M5 X 0.8 X 12, Ss, 3-13
Screw, Hex, M5 X 0.8 X 16, Fmg, 3-69
Screw, Hex, M5 X 0.8 X 20, 8.8, 2-17, 2-79
Screw, Hex, M5 X 0.80 X 12, Ss, 3-45
Screw, Hex, M5 X 0.80 X 20, 8.8, 3-45
Screw, Hex, M6 X 1.0 X 12, Fmg, 2-63, 2-145
Screw, Hex, M6 X 1.0 X 12, Ss, 3-83
Screw, Hex, M6 X 1.0 X 16, 8.8, 2-21, 2-27, 2-33, 2-63, 2-71, 2-77
Screw, Hex, M6 X 1.0 X 16, Fmg, 2-77, 2-79, 2-87, 2-91, 3-19, 3-21
Screw, Hex, M6 X 1.0 X 20, 8.8, 2-17, 2-49, 2-53, 2-63
Screw, Hex, M6 X 1.0 X 20, 9.8, Sems, 2-64
Screw, Hex, M6 X 1.0 X 20, Ss, 2-59, 2-61, 2-87, 2-91, 2-95, 2-117, 2-119, 2-121, 3-3
Screw, Hex, M6 X 1.0 X 25, Ss, 2-95, 2-105, 2-109
Screw, Hex, M6 X 1.0 X 50, 8.8, 2-45
Screw, Hex, M6 X 1.0 X 55, Ss, 2-89, 2-121
Screw, Hex, M6 X 1.0 X 60, 8.8, 2-77
Screw, Hex, M6 X 1.00 X 12, Ss, 2-112, 3-45
Screw, Hex, M6 X 1.00 X 16, 8.8, 2-11, 2-29, 2-31, 2-37, 2-39
Screw, Hex, M6 X 1.00 X 16, Fmg, 2-67
Screw, Hex, M6 X 1.00 X 16, Ss, 3-33
Screw, Hex, M6 X 1.00 X 20, 8.8, 2-25
Screw, Hex, M6 X 1.00 X 20, 9.8, Sems, 2-19, 2-21, 2-67, 3-45
Screw, Hex, M6 X 1.00 X 20, Ss, 2-105, 2-109
Screw, Hex, M6 X 1.00 X 25, 9.8 Sems, 2-15, 2-51, 2-55, 2-67
Screw, Hex, M6 X 1.00 X 25, Ss, 2-121
Screw, Hex, M6 X 1.00 X 35, 8.8, 2-29, 2-31, 2-37
Screw, Hex, M6 X 1.00 X 35, Ss, 3-45
Screw, Hex, M8 X 1.25 X 110, Ss, 2-99, 3-15
Screw, Hex, M8 X 1.25 X 130, 8.8, 2-81, 2-83
Screw, Hex, M8 X 1.25 X 16, 8.8, 2-57, 2-121, 3-11
Screw, Hex, M8 X 1.25 X 16, Ss, 2-81, 2-83
Screw, Hex, M8 X 1.25 X 20, 8.8, 2-11, 2-17, 2-21, 2-23, 2-43, 2-45, 2-47, 2-49, 2-53, 2-57, 2-67, 2-69, 2-73, 2-77, 2-125
Screw, Hex, M8 X 1.25 X 20, Ss, 2-9, 2-11, 2-17, 2-23, 2-63, 2-69, 2-85, 2-87, 2-91, 2-95, 2-105, 2-109, 2-111, 2-115, 2-121, 2-123, 2-125, 2-149, 3-3, 3-5, 3-21, 3-33, 3-45, 3-59, 3-61, 3-63, 3-75, 3-79, 3-81

- Screw, Hex, M8 X 1.25 X 25, 8.8, 2-9, 2-11, 2-43, 2-45, 2-47, 2-49, 2-51, 2-53, 2-55, 2-63, 2-67, 2-115, 2-123, 2-145, 2-147
- Screw, Hex, M8 X 1.25 X 25, 9.8, Sems, 2-67, 2-71
- Screw, Hex, M8 X 1.25 X 25, Fmg, 2-87, 3-21, 3-25, 3-29, 3-37, 3-41, 3-51, 3-55
- Screw, Hex, M8 X 1.25 X 25, Ss, 2-69, 2-79, 2-91, 2-95, 2-97, 2-111, 2-115, 2-119, 2-123, 3-7, 3-11, 3-15
- Screw, Hex, M8 X 1.25 X 30, 8.8, 2-115, 2-123
- Screw, Hex, M8 X 1.25 X 30, Ss, 2-93, 2-95
- Screw, Hex, M8 X 1.25 X 35, 8.8, 2-77, 2-115, 2-123
- Screw, Hex, M8 X 1.25 X 35, 9.8, Sems, 2-67
- Screw, Hex, M8 X 1.25 X 40, Ss, NI, 2-79
- Screw, Hex, M8 X 1.25 X 45, 8.8, 2-43, 2-45
- Screw, Hex, M8 X 1.25 X 45, Ss, 2-59, 2-61, 2-95, 2-101
- Screw, Hex, M8 X 1.25 X 50, 8.8, 2-79
- Screw, Hex, M8 X 1.25 X 50, Ss, 2-89
- Screw, Hex, M8 X 1.25 X 60, 8.8, FI, 2-11, 2-57
- Screw, Hex, M8 X 1.25 X 60, FI, 2-85
- Screw, Hex, M8 X 1.25 X 70, 8.8, 2-77
- Screw, Hex, M8 X 1.25 X 70, Ss, 2-93
- Screw, Hex, M8 X 1.25 X 90, 8.8, 2-101
- Screw, Motor, Hyd [En], 4-9, 4-11
- Screw, Pan, #12-16 X 0.50, F/ Plstc, 2-121, 3-87
- Screw, Pan, 12-16 X 0.50, F/ Plstc (ec-H2O only), 2-112
- Screw, Pan, M4 X 0.7 X 10, Ss, 2-103, 2-107
- Screw, Pan, M4 X 0.7 X 16, 4.8, 2-23
- Screw, Pan, M4 X 0.7 X 16, Ss, 2-23, 3-3
- Screw, Pan, M4 X 0.7 X 25, 4.8, 2-17
- Screw, Pan, M4 X 0.7 X 25, Ss, NI, 2-5
- Screw, Pan, M4 X 0.7 X 35, Ss, 2-5, 2-79
- Screw, Pan, M4 X 0.70 X 16, 4.8, 2-63
- Screw, Pan, M4 X 0.70 X 20, 4.8, 2-9
- Screw, Pan, M5 X 0.8 X 12, Ss, 2-17, 2-23, 2-47, 2-117, 3-19, 3-25, 3-29, 3-83
- Screw, Pan, M5 X 0.8 X 40, 4.8, 2-27, 2-33
- Screw, Pan, M5 X 0.8 X 40, Ss, 2-81, 2-83, 3-19
- Screw, Pan, M5 X 0.80 X 45, 4.8, 3-75, 3-79
- Screw, Pan, M6 X 1.0 X 12, Ss, NI, 2-97
- Screw, Pan, M6 X 1.0 X 16, Ss, 2-93, 3-75, 3-77
- Screw, Pan, M6 X 1.0 X 25, Ss, 2-97
- Screw, Pan, M6 X 1.0 X 35, Ss, 2-5, 2-7
- Screw, Pan, M6 X 1.0 X 40, Ss, 2-5
- Screw, Pan, M6 X 1.00 X 16, 4.8, 2-57
- Screw, Pan, M8 X 1.25 X 25, Blk, 2-11, 2-15, 2-19
- Screw, Pan, M8 X 1.25 X 25, Ss, 2-95
- Screw, Pan, Phl, 12-16 X 0.50, F/ Plstc, 2-111, 2-112
- Screw, Pan, Phl, M4 X 0.70 X 20, Ss, 3-45
- Screw, Pan, Phl, M5 X 0.80 X 12, Ss, 3-33, 3-37, 3-41, 3-51, 3-55
- Screw, Pan, Phl, M5 X 0.80 X 16, Tcut, Ss, 4-23
- Screw, Pan, Phl, M5 X 0.80 X 20, Ss, 3-59, 3-61, 3-63, 3-64, 3-65
- Screw, Pan, Phl, M6 X 1.00 X 35, Ss, 2-7
- Screw, Set, M6 X 1.00 X 40, Ss [Cuppt], 3-73
- Screw, Soc, .25-20 X 0.75, Al, 2-19
- Screw, Soc, .38-16 X 1.50, Al, 2-25
- Screw, Soc, .50-13 X 1.50, Al, 2-73
- Screw, Soc, M12 X 1.75 X 55, 10.9, 2-25
- Screw, Soc, M16 X 2.0 X 50, 12.9, 2-73
- Screw, Soc, M6 X 1.0 X 25, 12.9, 2-27
- Screw, Soc, M6 X 1.0 X 45, 12.9, 2-27
- Screw, Soc, M6 X 1.00 X 25, 12.9, 2-29, 2-31, 2-37
- Screw, Soc, M6 X 1.00 X 45, 12.9, 2-29, 2-31
- Screw, Soc, M8 X 1.25 X 25, 12.9, 2-105, 2-109
- Screw, Soc, M8 X 1.25 X 35, 12.9, 2-105, 2-109
- Screw, Soc, M8 X 1.25 X 70, 12.9, 2-37
- Screw, Valve, Steering, 4-19
- Screw, 2-39, 2-41, 4-8
- Seal Kit, Cartridge, 4-13, 4-15, 4-17
- Seal Kit, Motor [CI], 4-9, 4-11
- Seal Kit, Pump, Hyd, 4-7
- Seal Kit, Steering [CI], 4-19
- Seal Replmt Kit, 4-8
- Seal, Sponge, 0.88 1.00W 43.0L, 2-21
- Seal, Afmkt, Bulb, 90, 0.50d, 02ft, 2-17
- Seal, Afmkt, Bulb, 90, 0.75d F/11ga 02ft, 2-17, 2-23
- Seal, Afmkt, Bulb, 90, 0.75d F/11ga 08ft, 2-11
- Seal, Afmkt, Bulb, Str, 1.0d F/11ga 08ft, 2-21
- Seal, Bulb, Str, .50Hi .50W 047.2L, Adh, 2-111, 2-112
- Seal, Drive, Rear, Grease Cav, 2-73
- Seal, Foam, 0.50, 2-11
- Seal, Oil, Cshft, 5-5
- Seal, Org, .069 X 3.06id, 2-143
- Seal, Org, .072 X 00.35id #04, 4-15
- Seal, Org, .078 X 00.47id #06, 4-13, 4-15
- Seal, Org, .078 X 00.47id 06, 4-17
- Seal, Org, .087 X 00.64id #08, 4-15
- Seal, Org, Bolt, Cover, Camshaft Hsng, 5-11
- Seal, Org, Cap, Fltr, Oil, 5-8
- Seal, Org, Cap, 5-3
- Seal, Org, Hsng, Oil Pump, 5-7
- Seal, Org, Oil Pump, 5-7
- Seal, Org, Press Switch / Drain Plug, 5-7, 5-8
- Seal, Org, Sensor, Temp [Epr], 2-39, 2-41
- Seal, Org, Throttle Body, 2-33
- Seal, Org, Water Pump, 5-7
- Seal, Org, 2-33
- Seal, Panl, Instmt, 2-11
- Seal, Plug, Drain [Nitrile], 2-121
- Seal, Radiator, Upper, 2-71
- Seal, Radiator, 2-63
- Seal, Rbr, Clsd, 0.13, Instmt Panl, 2-15
- Seal, Ring, Pipe, Suc, Oil Pump, 5-7
- Seal, Seat, Valve, 5-3
- Seal, Shaft, Drain Plug, 2-121
- Seal, Wiper, 2-95
- Seal, Wire, 14/16ga [Wp / Mp280 Sealed], 4-21
- Sealant, Tube, Ds, 5-8
- Seat, Rotator, Valve, 5-3
- Seat, Spring, Valve, 0.333, 5-3
- Seat, Spring, Valve, 5-3
- Seat, Suspension, W/1 Arm And Belt, 2-17
- Seat, Valve, Exhaust, [+0.2mm], 5-3
- Seat, Valve, Exhaust, [+0.4mm], 5-3
- Seat, Valve, Exhaust, Std, 5-3
- Seat, Valve, Intake, [+0.2mm], 5-3
- Seat, Valve, Intake, [+0.4mm], 5-3
- Seat, Valve, Intake, Std, 5-3
- Send-Unit, Fuel [2007], 2-45
- Send-Unit, Fuel, 2-43
- Send-Unit, Water, Temp, 04npt 113oh/195d, 2-147
- Sensor [T Map], 2-29, 2-31, 2-37
- Sensor [Tmap], 2-27, 2-33
- Sensor, Exhaust, Tailpipe, 2-61
- Sensor, Level, Liq, 14vdc 01a .62-11, 2-112, 2-121, 3-5
- Sensor, Oxygen [Gm 1.6L/3.0L 2007], 2-61
- Sensor, Oxygen, 2-59
- Sensor, Position, Cshft, 2-25, 5-7
- Sensor, Spd / Dir, 6-30vdc, 2-79
- Sensor, Temp [Epr], 2-39, 2-41
- Sensor, Temp, Coolant, 2-25
- Sensor, Temp, Water [Rework For 1.6GM], 2-25
- Shaft Wldt, Arm, Lift, 2-93
- Shaft Wldt, Brake, 2-77
- Shaft Wldt, Pedal, Brake, 2-77
- Shaft, Brush, Idler, 2-81, 2-83
- Shaft, Motor, Hyd, 4-5
- Shaft, Output, Motor, Hyd [En], 4-9
- Shaft, Output, Motor, Hyd, 4-11
- Shaft, Output, 4-8
- Shaft, Pump, Water, 4-3
- Shaft, Pump, 4-7
- Sheave Assy Kit, Repair, 2-57
- Sheave, 5.00dia [Gm1.6l 2007], 2-57
- Sheave, Cshft, 5-5
- Sheave, Mach [Gm1.6l], 2-57
- Shield Kit, Debris, Replmt [T20], 2-95
- Shield Kit, Side, Replmt [T20], 2-103, 2-107
- Shield Wldt, Switch, Float, 2-121
- Shield, Heat, Gas/Lpg, Replmt (Japan Only), 2-61
- Shield, Heat, Gas/Lpg, Replmt, 2-61

CROSS REFERENCE

- Shield, Manifold, Exhaust, 5-9
Shield, Starter [1.6l], 2-25
Shield, Tray, Debris [Trimmed], 2-95
Shim Kit, 4-7
Shim, Washer, 0.88d 0.51b .020, 2-125
Shim, Washer, 0.88d 0.51b .060, 2-125
Shock Absorber, 2.3 Strk, 2-79
Shoe, Brake, 180 X 30mm, 2-75
Shoe, Plstc, Sqge, 14.0, 3-69
Shrd Wldt,Fan,G/Lp, Replmt [M20/M30/T20], 2-67
Shrd Wldt,Fan,G/Lp, Replmt [TJ] (Japan Only), 2-67
Shroud Assy, Eng, 2-23
Shroud Wldt, Fan, 16.25d [Side X Side], 2-67
Shroud, Front, Trimmed, 2-21
Shroud, Seat, 2-17
Skirt, Debris, Eng Radiator, 2-63
Skirt, Eng Fan, Gas / Lp, 2-67
Skirt, Front, Disk Head, 1-1, 2-91
Skirt, Neo, .06, 06.85w 27.95l, 08 Hole, 1-1
Skirt, Neo, .06, 07.63w 51.52l, 11 Hole, 2-87
Skirt, Neo, .06, 12.00w 45.88l, 07 Hole, 1-1, 2-87
Skirt, Neo, .18, 10.37w 27.95l, 12 H&S, 1-1
Sleeve, 0.31b 0.50d 0.3l, Ss, 2-105, 2-109, 2-121
Sleeve, 0.49b 0.68d 1.2l [304ss], 2-95, 2-105, 2-109
Sleeve, Dashpo, Pump, Hyd, Gear, 4-5
Sleeve, Fing, 0.48b 1.25/0.88d 0.6l, Stl, 2-95
Sleeve, Nyl, #37 05.0l, 2-73
Sleeve, Nyl, 1.22id 14.0l, 2-141
Sleeve, P/M, 0.31B 0.44D 1.2L [430Ss], 2-97
Sleeve, P/M, 0.31b 0.50d 0.3l [430ss], 2-115, 2-123
Sleeve, P/M, 0.31b 0.50d 0.7l [430ss], 2-99, 2-115, 2-123
Sleeve, P/M, 0.31b 0.50d 0.9l [430ss], 2-59, 2-61, 2-81, 2-83, 2-89
Sleeve, P/M, 0.34b 0.63d 0.6l, Bnz, 2-101
Sleeve, P/M, 0.34b 0.63d 1.2l, Bnz, 2-99
Sleeve, P/M, 0.37b 0.50d 0.6l [430ss], 3-11
Sleeve, P/M, 0.43b 1.00d 1.0l, Stl, 2-43
Sleeve, P/M, 0.47b 0.75d 0.5l [430ss], 2-85, 2-91
Sleeve, Pump, Water, 4-3
Sleeve, Rbr, 3.50b 3.58d 1.8l, 3-5
Sleeve, Throttle, Plstc [Bosch], 2-33
Solenoid, #10, 12vdc, 4-13, 4-15, 4-17
Solenoid, #8, 12vdc, 4-13, 4-15, 4-17
Solenoid, 12v, Valve, Hyd [Cec], 4-10
Spacer Plate, 4-8
Spacer, Fan, Taper [2007], 2-57
Spacer, Fan, 2-57
Spacer, Hub, Keyed, 2-89, 3-7, 3-9
Spacer, Plstc, Ny, 2-17
Spacer, Rlr, 2-95
Spacer, Sppt, Fltr Lock Off, 2-33
Spacer, Sqge, Side Brush, Rbr, 3-9
Spacer, Strap, Adj, Alternator, 2-57
Spacer, Valve, Steering, 4-19
Spacer, 2-89, 3-7, 3-9
Sparkplug [Gm], 1-1
Sparkplug [Gm, 1pick=1plug], 1-1
Sparkplug, 5-12
Spool, Pilot, Hyd, 4-13, 4-15, 4-17
Spring Kit, Flat, Replmt [T20], 2-93
Spring Kit, Scu [Cl], 4-19
Spring, 3/4 X 16 [Gm1.6L 2010 Lpg], 2-41
Spring, Cmpr, 0.97od .11wir 2.5l, 2-95
Spring, Cmpr, 0.40od .04wir 00.6l, Ss, 3-73
Spring, Cmpr, 0.42od .06wir 1.50l, 2-89
Spring, Cmpr, 0.9od .042wir 02.0l, 2-99
Spring, Cmpr, 18.8d, 1.6w, 57.1l, 2-19
Spring, Dsl, 1.00od 0.50id 1.7l, 2-101
Spring, Extn, 0.75od X 0.09wir, 2.5l, 2-105, 2-109
Spring, Extn, 0.75od X 0.12wir, 4.3l, 2-79
Spring, Extn, 1.69od X 0.20wir, 9.5l, 2-93
Spring, Extn, 1.68od X .203wir, 7.5l, 2-85
Spring, Flat, .06 X 4.13 X 6.5l 4 Hole, 2-93
Spring, Flat, Retainer, Screen, 2-97
Spring, Keeper, 2-101
Spring, Motor, Hyd, 4-5
Spring, Tors, 0.75id .06wir 02.8coil, 2-77
Spring, Tors, 1.13id .12wir 02.3coil Rh, 2-77
Spring, Valve, Relief, Oil Press, 5-7
Spring, Valve, 5-3
Spring, Wir, 0.08d, Brake, Parking, 2-77
Spring, Wir, 0.16d, Brush Retaining [T5], 2-5
Spring, Wir, 0.16d, Brush Retaining, 2-5, 2-7
Spring, Wir, 0.25d, Return, Brake, 2-75
Spring, 4-5
Sprocket, Camshaft, 5-11
Sprocket, Crankshaft, 5-11
Squeegee Assy, Sba, Linatex, 1-2, 3-7
Squeegee Assy, Sba, Ure, 1-2, 3-7
Squeegee Kit, Rear, Replmt [M20/T20], 2-99
Squeegee Wldt, Rear, 2-99
Starter, 12vdc [Delco] (Mar. 2006 and Newer), 5-5
Starter, 12vdc [Gm] (Before Mar. 2006), 5-5
Steer-Control, Hyd#05, 06.1 2030 (See Breakdowns), 2-19
Steer-Control, Hyd05, 06.1 2030, 4-19
Stem, Valve, Hyd [4w2p], 4-17
Stem, Valve, Hyd, 4w2p, 4-13, 4-15
Stem, Valve, Hyd, 4-13, 4-15, 4-17
Stop, Rotation, 2-101
Strainer Wldt, Trough, Debris 4.3w 15.L, 2-97
Strainer, Hyd, 25gpm 100mesh Psi, 2-147
Strainer, Hyd, 025gpm 100mesh 03psi, 1-1
Strainer, Hyd, 25 Gpm 100 Mesh, 1-1
Strainer, Soltn, 20 Mesh, Cyl 3.5d 9.5l, 3-5
Strap, Adj, Alternator, 2-57
Strap, Mtg, Tank, Lpg, Hinge, 2-47
Strap, Mtg, Tank, Lpg, 2-47
Strap, Rbr, 13.2l [2/S Hooks], 3-75, 3-77
Strap, Rbr, Tie-Down, 2/Hooks 19.0l, 2-71
Strap, Sppt, 2-79
Strap, Static, .19 1.1w 25.0l W/ Grommet, 2-95
Strap, Static, W/Grommet, .19 1.1w 25.0l (Disk Scrub Head), 2-9
Strap, Tank, Gas, 2-43, 2-45
Strip Mtg, Seal, 2-21
Strip, Non-Slip, 0.50w 06.0l, 2-99
Strip, Rbr, 0.06 03.54w 03.5l [Neo/60], 3-45
Stud, .31-18 2.75l M8 X 1.25, Ss, 2-99
Stud, Ball, .39d .31-16, Gasspring, 2-17
Stud, M05-0.8 [Gm1.6L Lp 2010], 2-37
Stud, M10 X 1.50 [35], 2-57, 2-59, 2-61
Stud, Manifold, M8 X 28, 5-9
Stud, Manifold, M8 X 96, 5-9
Stud, Starter, M08 X 1.25, 5-5
Stud, Wheel, .50-20 X 1.50l, 0.370th, 2-73
Support Wldt, Sqge, Lh Rear, 3-85
Support Wldt, Sqge, Rh Rear, 3-85
Switch Assy, Press, 3.0, 19.5l Tube, 3-5
Switch Kit, Pump, Repair,, 4-21
Switch, Ignition [Ku], 2-15
Switch, Indicator, Oil Press [2010], 2-25, 5-7
Switch, Indicator, Oil Press, 2-25, 5-7
Switch, Press, 0006psi Dpdt, 2-25
Switch, Press, 10psi, Spst, 3-19
Switch, Press, 12vdc 08a Spst Nc 0070psi, 2-47
Switch, Press, 50 Psi, Pm02, 3-47
Switch, Rocker, Dpdt On/Off/On, 2-15
Switch, Rocker, Dpdt, On / None / On, 3-75, 3-79
Switch, Rocker, Spst, Mom, 3-45

T

- Tank Kit, Soltn, W/ Bracket, Replmt, 2-111
Tank, Coolant, 03.30w 4.7hi 04.7l, 1liter, 2-69
Tank, Coolant, 03.6w 04.1hi 05.5l, 1liter, 2-69
Tank, Coolant, 04.7 03.3 4.7deep, 1liter, 2-63
Tank, Detgt, Trimmed, 3-5
Tank, Fuel, 11.26Gal, gas, Replmt, 2-43
Tank, Fuel, 11.2gal, Gas, Replmt [2007], 2-45
Tank, Lpg, 33lb, W/ Gauge [Empty, Liq], 2-47
Tank, Recvy, Trimmed, 2-121

Tank, Soltn, W/ Es [T20], 2-111
 Tank, Soltn, W/ Label, 2-111
 Terminal, Bullet, Mal, .157d, 12ga, 3-61, 3-63, 3-64, 3-65
 Terminal, Fem, Mp280, Sealed, 18-16ga, 4-21
 Thermostat, W/ Hsng And Seal, 5-3
 Thrust Bearing, 4-8
 Tie, Cable, 6.0l, 1.25d Max, 3-64, 3-65
 Tie, Cable, 11.3l, 2.75d Max, 3-19
 Tie, Cable, Nyl, 07.3l .19w 1.8 Max D, 2-15, 2-27, 2-29, 2-67, 2-73, 2-83, 2-141, 3-19, 3-64, 3-65
 Tie, Cable, Nyl, 11.0L, .14W, 3.0 Max. D, 3-47
 Tie, Cable, Nyl, 14.5l .30w 4.0 Max D, 4-23
 Tie, Cable, Nyl, 15.3l . W 4.5 Max D, 3-19, 3-25, 3-37
 Tire Assy, Solid, 18.0x6.0 4.5bc/5bolt, 1-2
 Tire, Drive, Scrbr, Non-Skid, 18.0X6.0, 2-73
 Tire, Drive, Scrbr, Pu, Grey, 18.0X6.0 (Optional Polyurethane), 2-73
 Tire, Idler, Scrbr, Blk, 16.0X3.5, 2-75
 Tire, Idler, Scrbr, Pu, Grey, 16.0X3.5 (Optional Polyurethane), 2-75
 Transport Kit, Ci [T20], 3-83
 Tray Kit, Debris, Replmt [T20], 2-97
 Tray Wldt, Fuel, 2-43, 2-45
 Tray Wldt, Lpg, 2-47
 Tray, Debris, Trimmed, 2-97
 Tray, 3-75, 3-77
 Tread, Non-Skid, 01.9w 08.0l, 2-9
 Tread, Non-Skid, 02.2w 11.5l, 3-13
 Tread, Non-Skid, 03.0w 11.6l, 2-9, 2-11, 2-78
 Tube [Pcv], 5-3
 Tube Assy, Plug, Drain, 2-121
 Tube Kit, Hyd, Case Drain [M20/T20], 2-83
 Tube Kit, Tank, Recvy, Replmt, 2-123
 Tube Kit, Tank, Soltn, Replmt, 2-115
 Tube Wldt, Exhaust, 1.6d, 2 Fng, 2-61
 Tube Wldt, Exhaust, Gas/Lpg, 2-59
 Tube Wldt, Leg, Ohg, Lh, Pntd, 3-67
 Tube Wldt, Leg, Ohg, Rh, Pntd, 3-67
 Tube Wldt, Plug, Drain, 2-121
 Tube Wldt, Tee, 2-49, 2-51, 2-53, 2-55
 Tube Wldt, Torque, 2-85, 2-91
 Tube Wldt, Vacuum, 2-97
 Tube, 0.50d 0.32b 00.4l, Ss, 2-115, 2-123
 Tube, 00.38d 00.26b 00.3l Stl Plt, 2-79
 Tube, 00.50d 00.38b 00.6l Stl, 2-79
 Tube, Air Bleed, .62d 2.2l .12npt Alm, 2-27, 2-34
 Tube, Bleed, Air, .62od 2.2l .12npt, Alm, 2-29, 2-39
 Tube, Coolant, 1.3d, Lower, 2-69
 Tube, Coolant, Lower, 1.3d, 2-63
 Tube, Distribution, Water, 2-117

Tube, Ds, 5-8
 Tube, Exhaust, 1.5d, 2-59
 Tube, Exhaust, Fng, 1.5d [M20/T20 2007], 2-61
 Tube, Hyd, 08 Jf08/Jf08, 3-15
 Tube, Hyd, 08 Jf08/Jm08, 2-81
 Tube, Hyd, Brush Return, W/ Cd [M20/T20], 2-83
 Tube, Hyd, Main Return [M20], 2-145
 Tube, Hyd, Sqge, 2-145
 Tube, Pvc, Clr, 4.0l [Shc80], 3-23, 3-25, 3-27, 3-29
 Tube, Rnd, 1.75d 0.77b 01.1l, Stl, Pntd, 2-73
 Tube, Rnd, 3.00d 2.90b 02.0l, Ss, 2-115, 2-123
 Tube, Vacuum, 2-9
 Tube, Vinyl, Pump, Water, 4-3
 Tube, Wand, Vacuum, Metal [1pick=1box], 3-69
 Tubing Connctr.Kit, Gorman Pmp, 4-20

U

Upper Hsg Kit, Pump, Repair,, 4-21

V

Valve Assy, Relief [CI], 4-19
 Valve Assy, Water, Solenoid , 12vdc, 2-117, 2-119
 Valve Assy, Water, Solenoid, 12vdc, 3-13, 3-51
 Valve Kit, Poppet, Gorman Rupp, 4-20
 Valve Stem, N.O.Valve, Hyd, 4-10
 Valve, Ball, 04pf, Chm W/ Handle, 2-43
 Valve, Body, Throttle, Lpg, 2-34
 Valve, By-Pass, Oil Fltr, 5-8
 Valve, Check, 0002psi [Fast li+], 4-24
 Valve, Check, 0002psi Bm04/Bm04, 3-21
 Valve, Check, 0005psi [Fast li+], 4-24
 Valve, Check, 0005psi Bm06/Bm08, 3-33
 Valve, Check, 0005psi Pm04/Bm06, 3-47
 Valve, Check, 2Gpm .5Psi Bm08/Bm08, 3-55
 Valve, Check, 2gpm .5psi Bm08/Bm08, 3-51
 Valve, Check, Pump, Water, 4-3
 Valve, Check, 2-33, 4-13, 4-15, 4-17
 Valve, Cntrl, Hyd (See Breakdowns), 2-149
 Valve, Cntrl, Hyd [M20 And T20] (See Breakdowns), 3-15
 Valve, Cntrl, Hyd [M20 And T20], 4-13
 Valve, Cntrl, Hyd, Solenoid, 03/16gpm, 4-17
 Valve, Cntrl, Hyd, 4-15
 Valve, Cntrl, Water, 3-73
 Valve, Exhaust, 5-3
 Valve, Fuelock, Lpg, Wire Connector, 2-33
 Valve, Hyd Cartridge 10no/-0, 4-10
 Valve, Hyd, Check, Jm08/Om08 5000psi, 3-15

Valve, Hyd, Solenoid 12vdc 3000psi (See Breakdowns), 3-15
 Valve, Intake, 5-3
 Valve, Lock Off [Gm 1.6L 2010], 2-41
 Valve, Lock Off, 2-39
 Valve, Lpg, Press Relief [Rego], 2-47
 Valve, Motor, Hyd, 4-5
 Valve, Relief, 3000 Psi, 4-7
 Valve, Relief, 4000 Psi, 4-7
 Valve, Relief, Oil Press, 5-7
 Valve, Relief, 4-13, 4-15, 4-17
 Valve, Shutoff, 3-79, 3-81
 Valve, Solenoid, 12vdc, Water Flow, 3-25, 3-29, 3-37, 3-41, 3-55
 Valve, Stem, No, 4-13, 4-15, 4-17
 Valve, Trim, Fuel, Normal Flow, 2-34
 Valve, Vent, Air, Float Type, 3-47
 Valve, Water, 12vdc, 6.0mm, 04pf, 3-19
 Valve, Water, Solenoid, 12vdc 0.08pf, 3-3
 Valve, Water, Solenoid, 12vdc 6.0mm Pf04, 3-33
 Vaporizer [Mixer E100lp Gm1.6l 2010], 2-37
 Video, Oprtr, Dvd [W/Checklist T20], 3-88

W

Wand Assy, Power, 3-73
 Wand Kit, Vac, Sqge, Ci [T20], 3-69
 Wand, Dbl Bend, 38.1mmd, 3-73
 Washer, Belleville, .31, 2-79
 Washer, Flat, .78b 1.75d .18, Ss, 2-121
 Washer, Flat, #06, 2-63, 3-69, 3-75, 3-77
 Washer, Flat, #08, Ss, 2-5
 Washer, Flat, #08, 2-17
 Washer, Flat, #10 Ss, 2-79
 Washer, Flat, #10, Ss, 2-27, 2-33, 3-3, 3-19, 3-25, 3-29, 3-79, 3-81
 Washer, Flat, #10, 2-17, 2-23, 2-57, 2-71, 3-75, 3-79
 Washer, Flat, 0.25 Fendr, 2-17, 2-23
 Washer, Flat, 0.25 Sae, 2-17, 2-19, 2-27, 2-33, 2-43, 2-49, 2-53, 2-59, 2-63
 Washer, Flat, 0.25 Std, 2-25, 2-63, 2-71, 2-77, 2-79, 3-19, 3-21
 Washer, Flat, 0.25, Fendr, 2-64, 2-67
 Washer, Flat, 0.25, Sae, 2-29, 2-31, 2-37, 2-45, 2-61, 2-67, 3-45
 Washer, Flat, 0.25, Ss, 2-7, 2-87, 2-89, 2-91, 2-95, 2-97, 2-117, 2-119, 2-121, 3-3, 3-83
 Washer, Flat, 0.25, Std, 2-11, 2-25, 2-29, 2-31, 2-37, 2-39, 2-67
 Washer, Flat, 0.27B 0.69D .05, Ss, 3-33
 Washer, Flat, 0.27b 0.69d .05, Ss, 2-7, 2-112, 3-45
 Washer, Flat, 0.31 Sae, 2-11, 2-57, 2-73, 2-79, 2-105, 2-109
 Washer, Flat, 0.31 Std, 2-79, 2-147
 Washer, Flat, 0.31, Hardened, 2-57
 Washer, Flat, 0.31, Sae, 2-57, 2-97, 2-115, 2-123

CROSS REFERENCE

Washer, Flat, 0.31, Ss, 2-59, 2-63, 2-87, 2-89, 2-93, 2-95, 2-99, 2-101, 2-105, 2-109, 3-3, 3-7, 3-11

Washer, Flat, 0.31, Std, 2-9, 2-11, 2-17, 2-19, 2-21, 2-23, 2-43, 2-45, 2-47, 2-49, 2-51, 2-53, 2-55, 2-57, 2-61, 2-63, 2-67, 2-69, 2-73, 2-77, 2-81, 2-83, 2-85, 2-91, 2-93, 2-111, 2-115, 2-119, 2-121, 2-123, 2-145, 3-11, 3-13, 3-15, 3-67, 3-75, 3-79, 3-83

Washer, Flat, 0.32b 1.00d .12, Ss, 2-11, 2-17, 2-23, 2-95, 2-97, 2-111, 2-115, 2-121, 2-123, 2-125, 2-149, 3-5, 3-21, 3-33, 3-45, 3-59, 3-61, 3-63, 3-79, 3-81

Washer, Flat, 0.34b 0.75d .12 [Viton], 3-19

Washer, Flat, 0.38 Sae, 2-25, 2-57, 2-79, 2-85, 2-101, 2-143

Washer, Flat, 0.38 Std, 2-17, 2-43, 2-47, 2-79, 2-101, 3-7, 3-9, 3-67

Washer, Flat, 0.38, Hardened, 2-25, 2-39, 2-41

Washer, Flat, 0.38, Sae, 2-57, 2-61

Washer, Flat, 0.38, Std (Disk Scrub Head), 2-9

Washer, Flat, 0.38, Std, 2-61, 2-67, 2-89, 2-111, 3-75, 3-77, 3-85, 3-86

Washer, Flat, 0.38b 0.88d .08, Ss, 2-61, 2-69, 2-101

Washer, Flat, 0.38b 1.25d .12, Neo, 2-97

Washer, Flat, 0.40b 1.12d .12, Ss, 2-57, 2-63, 2-67, 2-125, 3-67

Washer, Flat, 0.41b 1.25d .12, Pye, 2-17

Washer, Flat, 0.44b 1.00d .08, Ss, 2-9, 2-95, 2-97, 3-13, 3-85

Washer, Flat, 0.50 Sae, 2-19, 2-25, 2-63, 2-75, 3-11

Washer, Flat, 0.50 Std, 2-25

Washer, Flat, 0.50, Std (Disk Scrub Head), 2-9

Washer, Flat, 0.50, Std, 2-9, 2-25, 2-95

Washer, Flat, 0.53b 1.88d .12, Stil, Pl, 2-11, 2-25, 2-99

Washer, Flat, 0.56b 1.38d .11, Ss, 2-85, 2-91, 2-93, 2-105, 2-109

Washer, Flat, 0.62 Sae, 2-21

Washer, Flat, 0.66b 1.00d .12, Rbr, 3-3, 3-79, 3-81

Washer, Flat, 0.69b 1.19d .06, Stil, Pl, 2-101

Washer, Flat, 0.75 Sae, 2-73

Washer, Flat, 0.76b 1.50d .06, Ss, 2-75

Washer, Flat, 0.79b 1.18d .06, Nyl, 2-115, 2-123

Washer, Flat, 0.81b 1.06d .06, Stil, 2-63, 2-67

Washer, Flat, 08, Ss, 4-23

Washer, Flat, 08, 3-45

Washer, Flat, 1.15b 1.75d .08, Stil, 2-15

Washer, Flat, 1.26B 1.88D .13, Stil, Pl, 2-9

Washer, Flat, 1.26b 1.88d .13, Stil, 3-13

Washer, Flat, 1.39b 2.12d .13, Stil, 2-73

Washer, Flat, 10, Ss, 3-33, 3-37, 3-41, 3-45, 3-51, 3-55

Washer, Flat, 10, 3-45, 3-59, 3-61, 3-63, 3-64, 3-65

Washer, Flat, 2.16b 3.50d .16, Felt, 2-73

Washer, Flat, Belleville, .25, 2-95, 2-105, 2-109

Washer, Flat, Belleville, .31, 2-57, 2-115, 2-123, 2-125, 3-11

Washer, Flat, Belleville, .38, 2-61, 2-79, 2-105, 2-109

Washer, Flat, Belleville, .50, 2-95, 2-105, 2-109

Washer, Flat, M21.0b X 37d X 3, 2-75

Washer, Flat, Pump, Hyd, 4-7

Washer, Lock, Int, #10, Ss, 3-19

Washer, Lock, Int, 0.25, 3-45

Washer, Lock, Int, 0.38, 2-57

Washer, Lock, Int, 08, Ss, 4-23

Washer, Lock, Int-Ext, 0.31 (Disk Scrub Head), 2-9

Washer, Lock, Int-Ext, 0.31, 2-95

Washer, Lock, Int-Ext, 0.38, 2-57

Washer, Lock, Int-Ext, 10, 2-23

Washer, Pump, Hyd [En], 4-7

Washer, Rbr, 4-3

Washer, Sealing, 0.28b 0.75d Ss, Neo, 2-121

Washer, Sheave, Cshft, 5-5

Washer, Shld, Nyl [8-32], 2-15

Washer, Sprkt, Camshaft, 5-11

Washer, Thrust, 0.34b 1.50d .06, 2-115, 2-123

Washer, Thrust, 0.61b 1.25d .06, Fgl, 2-101, 2-103, 2-105, 2-107, 2-109, 3-7

Washer, Thrust, 1.00b 1.75d 0.13w, Fbr, 3-11

Washer, Flat 0.25, Ss, 2-5, 3-75, 3-77

Wheel, 06.0D 2.00W 1.19B, Gray Rbr, 2-9, 3-13

Wheel, 3.0d 0.87w 0.44b, Rbr, Pp Core, 2-97

Wheel, 3.0d 1.38w 0.50b, 1-1, 2-101

Wheel, 4.0d 0.89w 0.64b, 2-99

Wheel, 41.3d 19.1w, Rbr, 3-73

Wheel, Steering, 14.3d 0.81b 36tooth, 2-19

Wire Set, Sparkplug [1.6], 5-12

Wire, 16ga 09.6l Brown Mp280/ #10ring, 2-25

Wire, Ground, 2-57



We Need Your Help...

As part of Tennant's Zero Defects Program, we want to know about errors you have found or suggestions you may have regarding our machine manuals. If you find an error or have a suggestion, please complete this postage-paid form and mail it to us. Thank you for helping us make zero defects a way of life at Tennant.

Manual No. _____ Rev. No. _____ Publish Date _____ Page _____
Machine _____ Report Error Suggestion

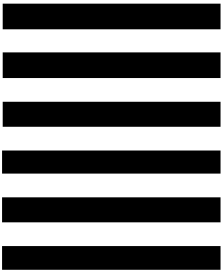
Name _____ Date _____
Customer Number _____
Company _____
Address _____
City/State/Zip Code _____



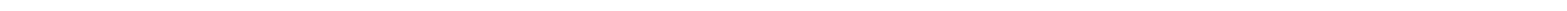
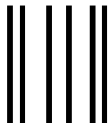
TENNANT COMPANY
 Technical Publications #15
 701 North Lilac Drive
 P.O. Box 1452
 Minneapolis, MN 55440-9947

POSTAGE WILL BE PAID BY ADDRESSEE

BUSINESS REPLY MAIL
 FIRST CLASS MAIL PERMIT NO. 94 MINNEAPOLIS, MN

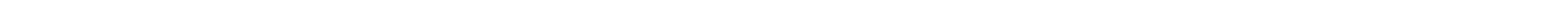


NO POSTAGE
 NECESSARY
 IF MAILED
 IN THE
 UNITED STATES



Fold along dotted lines

Tape here





We Need Your Help...

As part of Tennant's Zero Defects Program, we want to know about errors you have found or suggestions you may have regarding our machine manuals. If you find an error or have a suggestion, please complete this postage-paid form and mail it to us. Thank you for helping us make zero defects a way of life at Tennant.

Manual No. _____ Rev. No. _____ Publish Date _____ Page _____
Machine _____ Report Error Suggestion

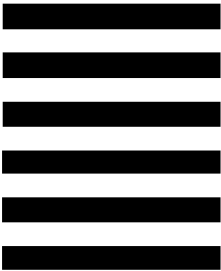
Name _____ Date _____
Customer Number _____
Company _____
Address _____
City/State/Zip Code _____



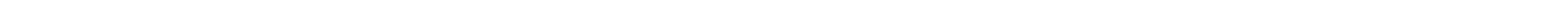
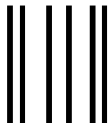
TENNANT COMPANY
 Technical Publications #15
 701 North Lilac Drive
 P.O. Box 1452
 Minneapolis, MN 55440-9947

POSTAGE WILL BE PAID BY ADDRESSEE

BUSINESS REPLY MAIL
 FIRST CLASS MAIL PERMIT NO. 94 MINNEAPOLIS, MN



NO POSTAGE
 NECESSARY
 IF MAILED
 IN THE
 UNITED STATES



Fold along dotted lines

Tape here

